



US00D585009S

(12) **United States Design Patent**
Rak

(10) **Patent No.:** **US D585,009 S**
(45) **Date of Patent:** **** Jan. 20, 2009**

(54) **WHEEL OR WHEEL COVER**

(75) Inventor: **Oliver Rak**, Pforzheim (DE)

(73) Assignee: **Daimler AG**, Stuttgart (DE)

(**) Term: **14 Years**

(21) Appl. No.: **29/309,265**

(22) Filed: **Jul. 16, 2008**

(30) **Foreign Application Priority Data**

Jan. 21, 2008 (EM) 000860820-0004

(51) **LOC (9) Cl.** **12-16**

(52) **U.S. Cl.** **D12/211**

(58) **Field of Classification Search** D12/204-213;
301/37.101, 64.101, 65, 64.201

See application file for complete search history.

(56) **References Cited**

U.S. PATENT DOCUMENTS

D520,933 S * 5/2006 Pfeiffer D12/211

D522,950 S * 6/2006 Pfeiffer D12/211
D532,358 S * 11/2006 Blasi D12/211
D539,722 S * 4/2007 Pfeiffer D12/211
D570,275 S * 6/2008 Laengerer D12/211
D578,053 S * 10/2008 Neeper D12/211

* cited by examiner

Primary Examiner—Stacia Cadmus

(74) *Attorney, Agent, or Firm*—Crowell & Moring LLP

(57) **CLAIM**

The ornamental design for a wheel or wheel cover, as shown and described.

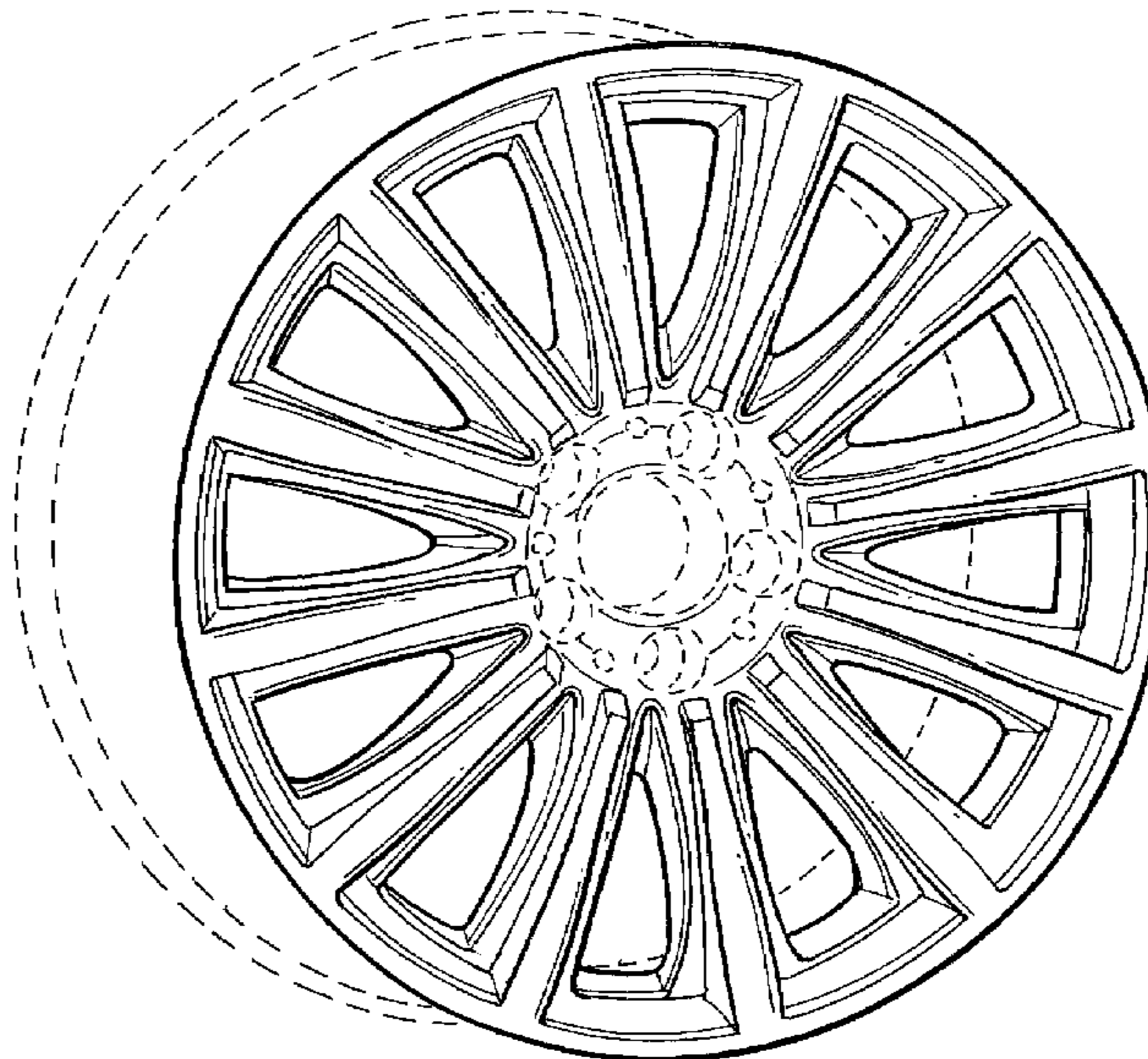
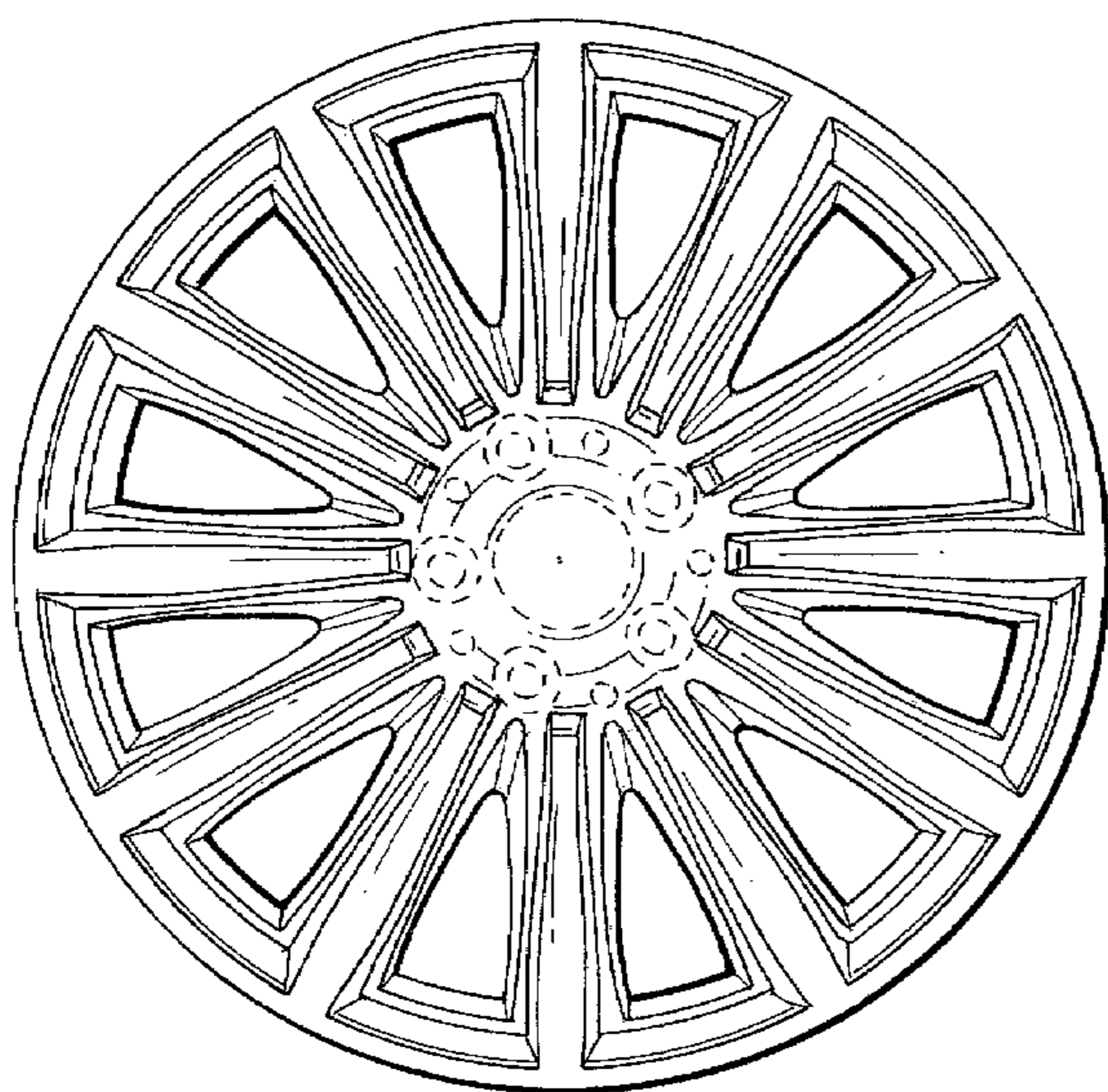
DESCRIPTION

FIG. 1 is a front view of a wheel or wheel cover according to my novel design; and,

FIG. 2 is a perspective view thereof.

The broken line showing of the rear portion of the rim and the central hub area is included for the purpose of illustrating environment and forms no part of the claimed design.

1 Claim, 1 Drawing Sheet



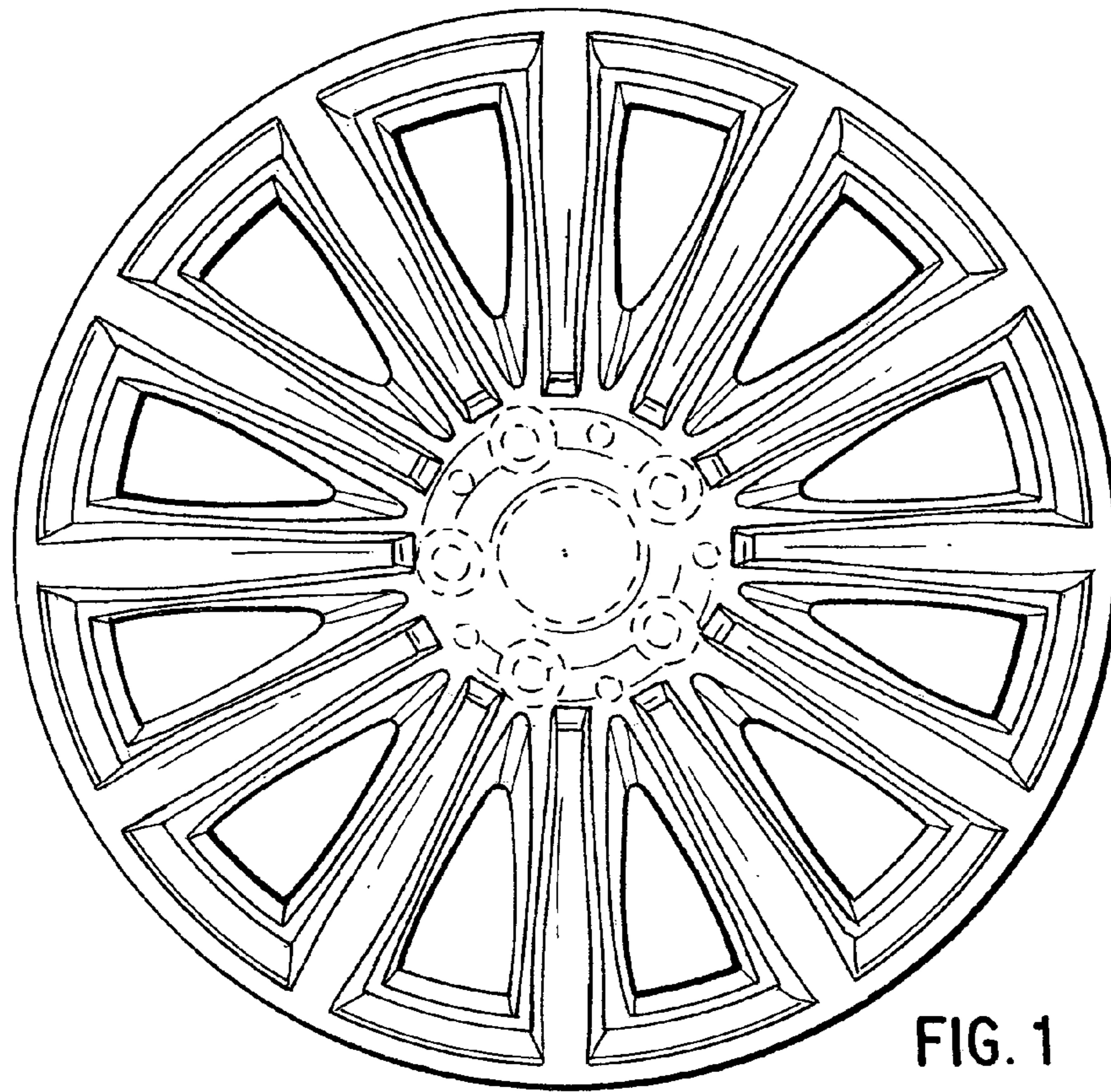


FIG. 1

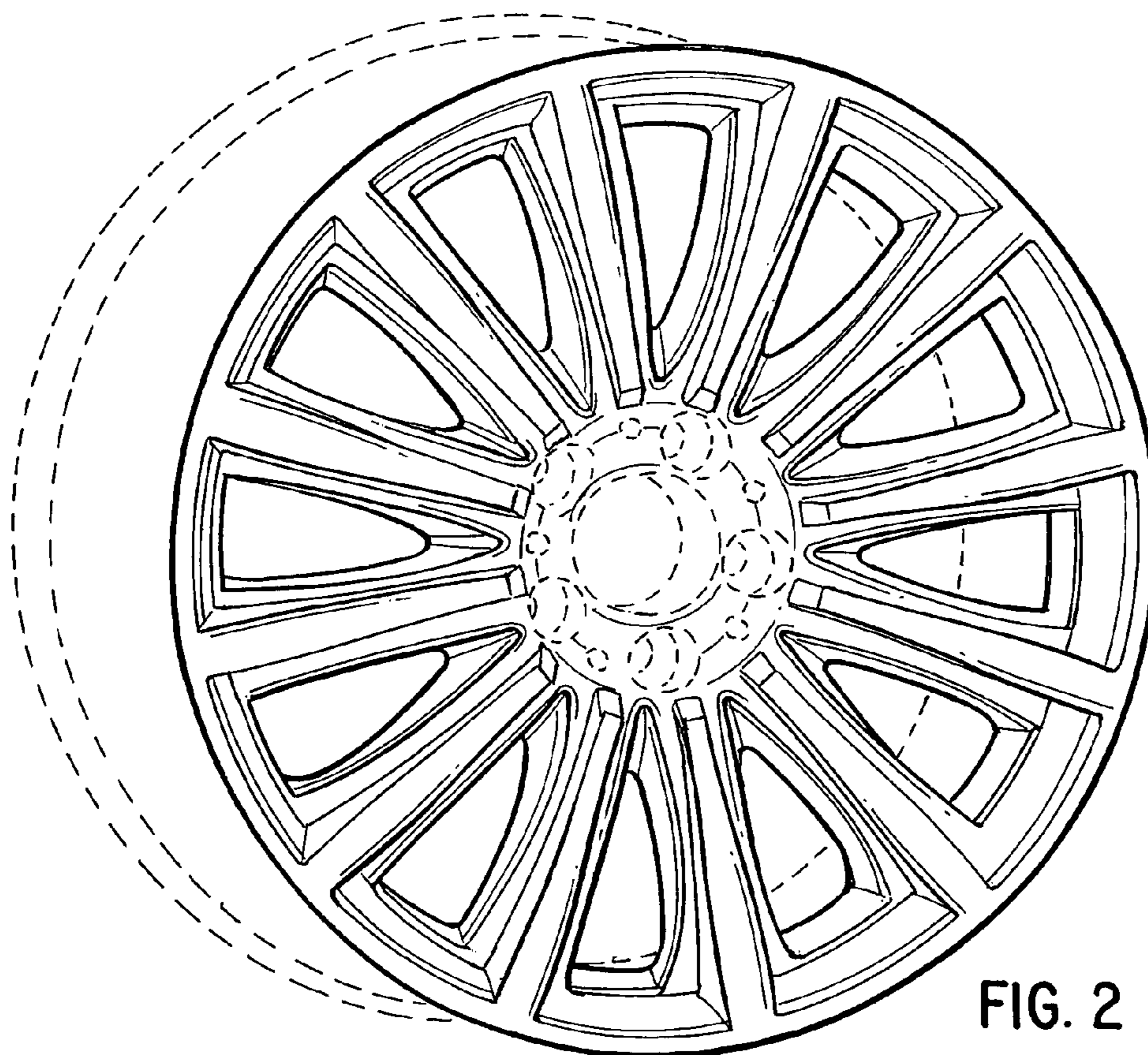


FIG. 2