



US00D585007S

(12) **United States Design Patent**
Huston

(10) **Patent No.:** **US D585,007 S**
(45) **Date of Patent:** **** Jan. 20, 2009**

(54) **GAS CAP**

(75) Inventor: **Fred M. Huston**, Simi Valley, CA (US)

(73) Assignee: **50's Boy, Inc.**, Simi Valley, CA (US)

(**) Term: **14 Years**

(21) Appl. No.: **29/306,374**

(22) Filed: **Apr. 8, 2008**

Related U.S. Application Data

(62) Division of application No. 29/282,969, filed on Aug. 2, 2007, now Pat. No. Des. 567,728.

(51) **LOC (9) Cl.** **12-16**

(52) **U.S. Cl.** **D12/197**

(58) **Field of Classification Search** D12/197,
D12/110, 114, 198, 218, 201; D7/398, 598,
D7/619; D8/310-312, 107-108; D9/435,
D9/201, 451-454, 443-444; 220/304, 200,
220/203.4, 288, 32-33, 12, 86.1-86.3; 411/300,
411/411, 553, 349; D23/260; D15/150;
280/833, 839

See application file for complete search history.

(56) **References Cited**

U.S. PATENT DOCUMENTS

D300,129 S * 3/1989 Whitley, II D12/197

D369,335 S * 4/1996 Benningfield D12/197
D402,248 S 12/1998 Triebold
D453,011 S 1/2002 Canady
D455,107 S 4/2002 Zimmerman
D508,225 S * 8/2005 Scheepers et al. D12/197
D537,024 S 2/2007 Shibuta et al.

* cited by examiner

Primary Examiner—Robert M Spear

Assistant Examiner—Katrina A Kile

(74) *Attorney, Agent, or Firm*—Greenberg Traurig

(57) **CLAIM**

The ornamental design for a gas cap, as shown and described.

DESCRIPTION

FIG. 1 left side view of gas cap in a closed position;

FIG. 2 front view of gas cap in a closed position;

FIG. 3 rear view of gas cap in a closed position;

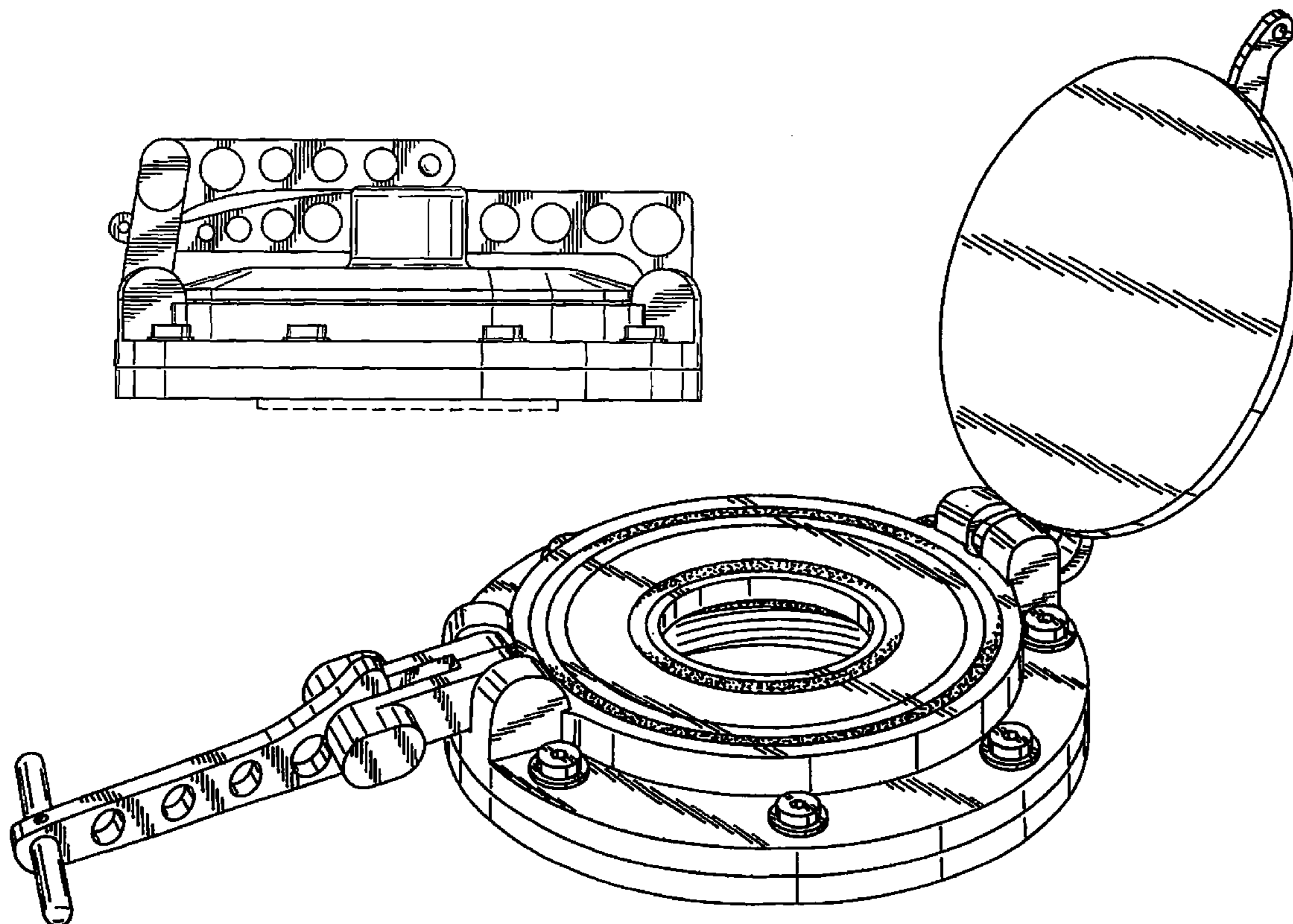
FIG. 4 top view of gas cap in a closed position;

FIG. 5 right side view of gas cap in a closed position; and,

FIG. 6 perspective view of gas cap in an open position.

The broken line showing of elements of the bottom of the gas cap form no part of the claimed design.

1 Claim, 4 Drawing Sheets



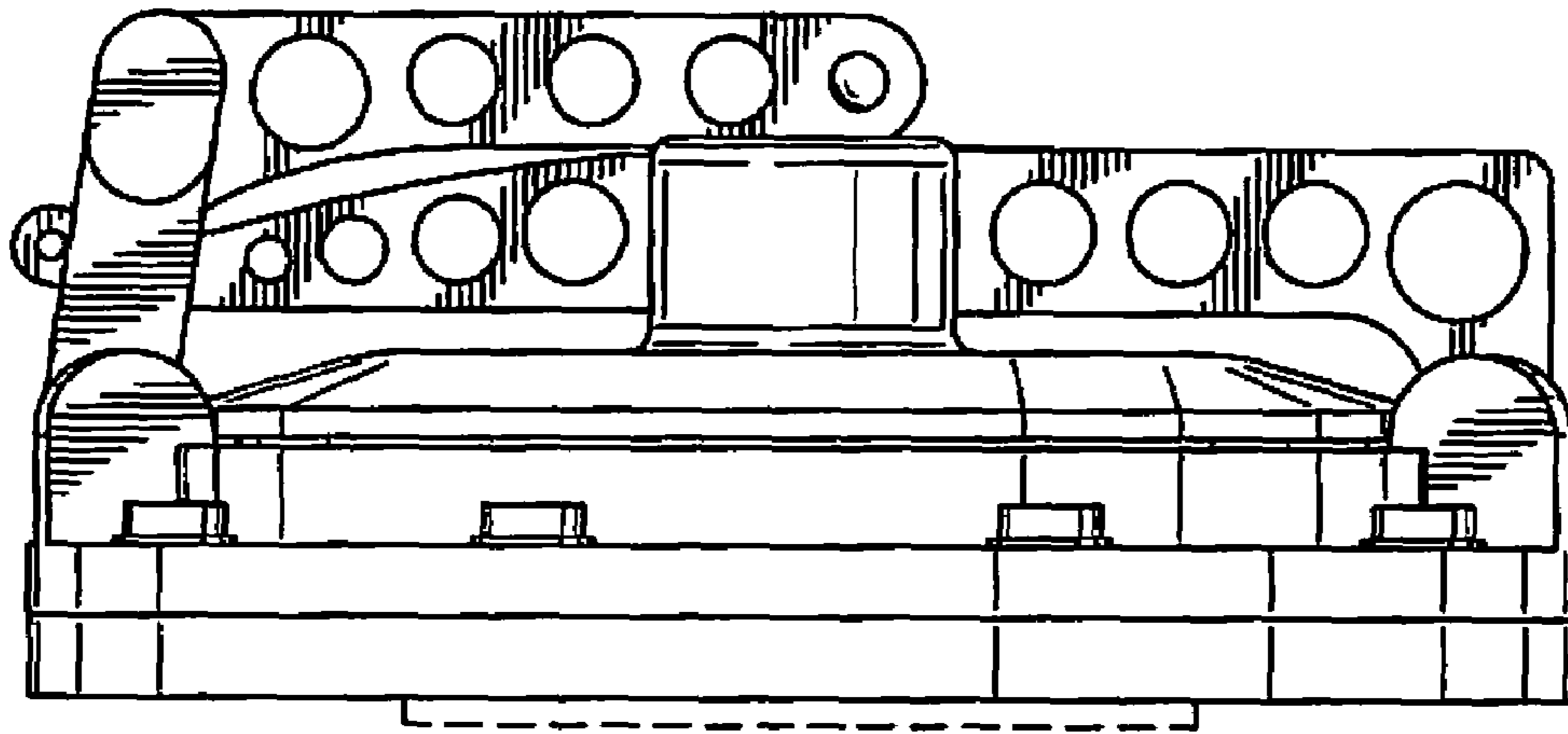


FIG. 1

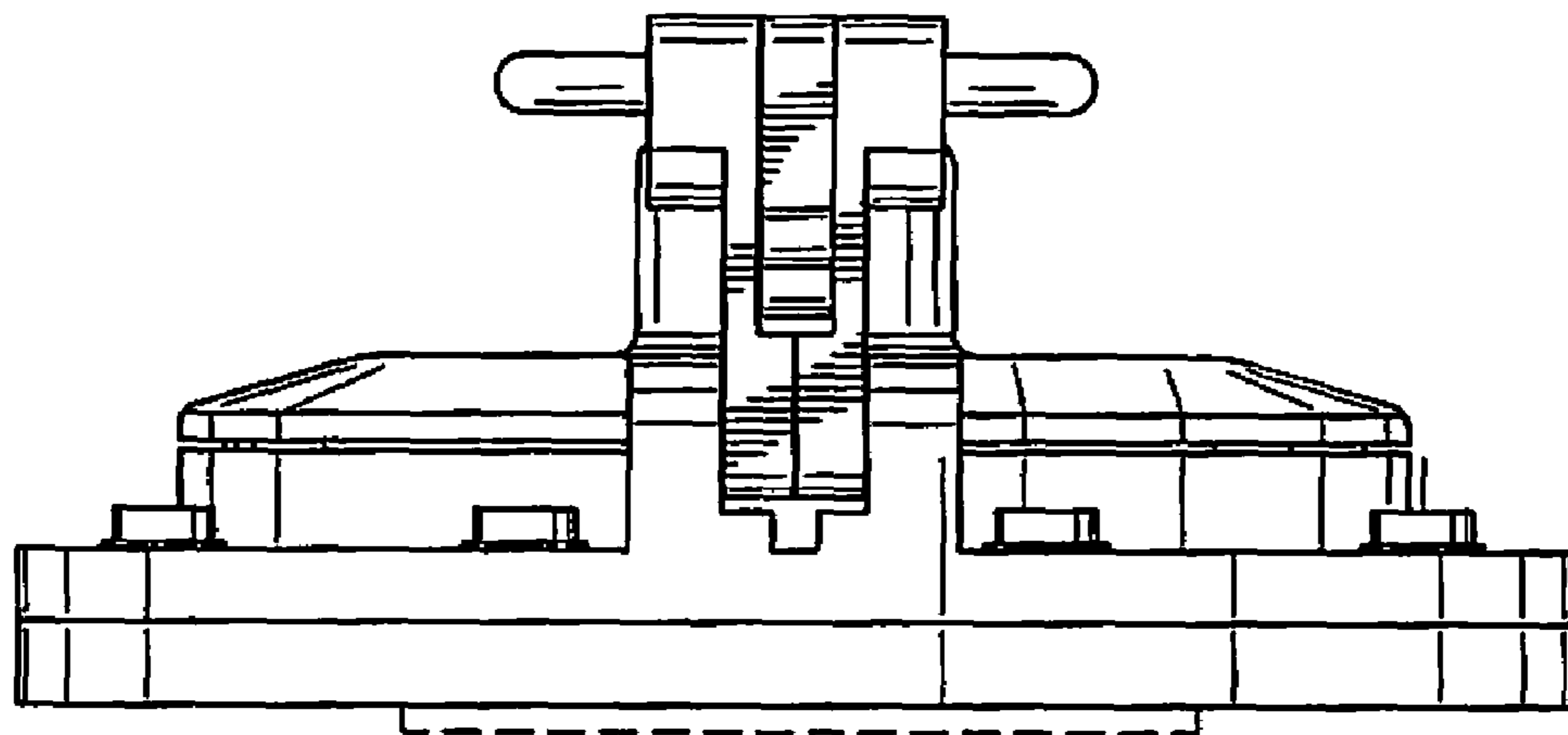


FIG. 2

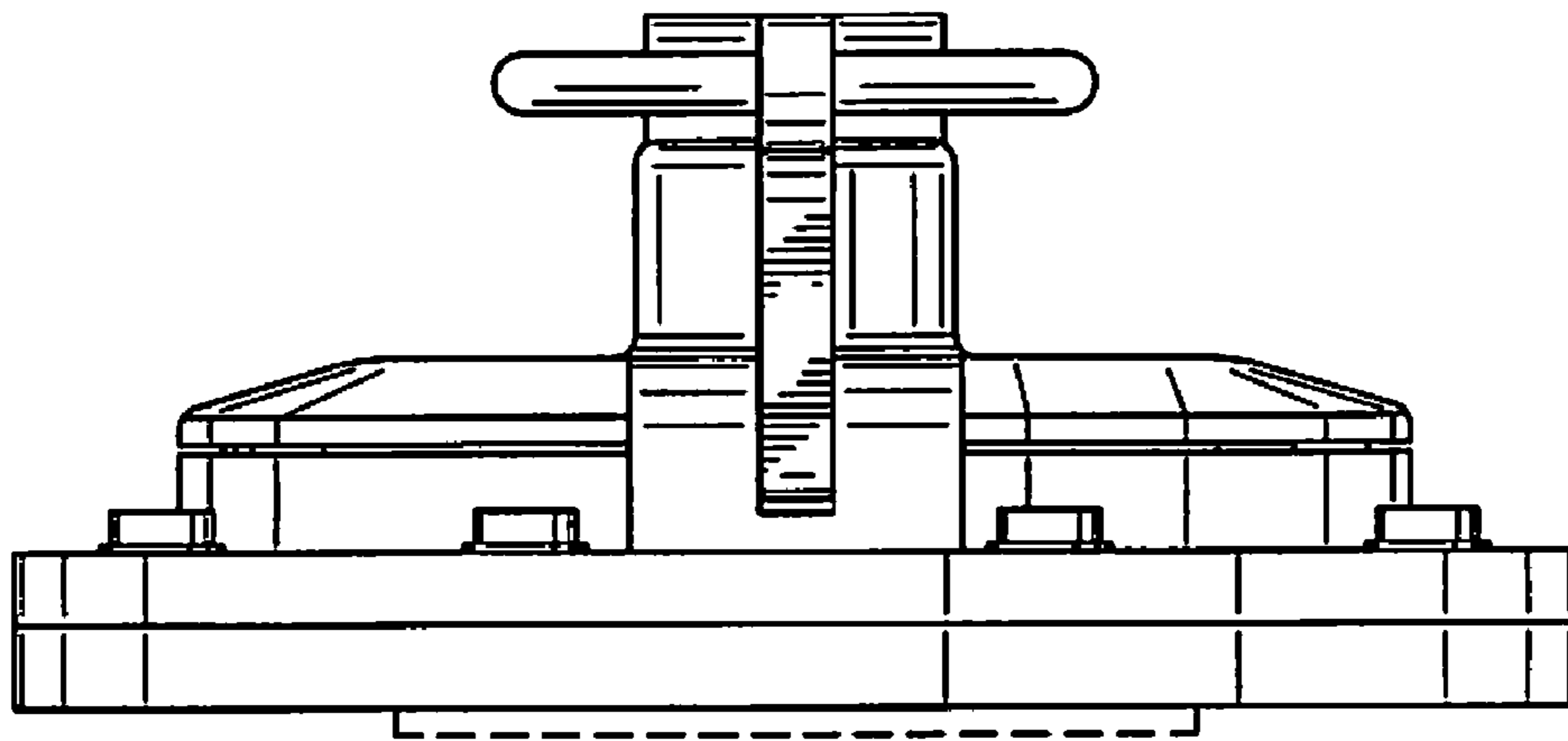


FIG. 3

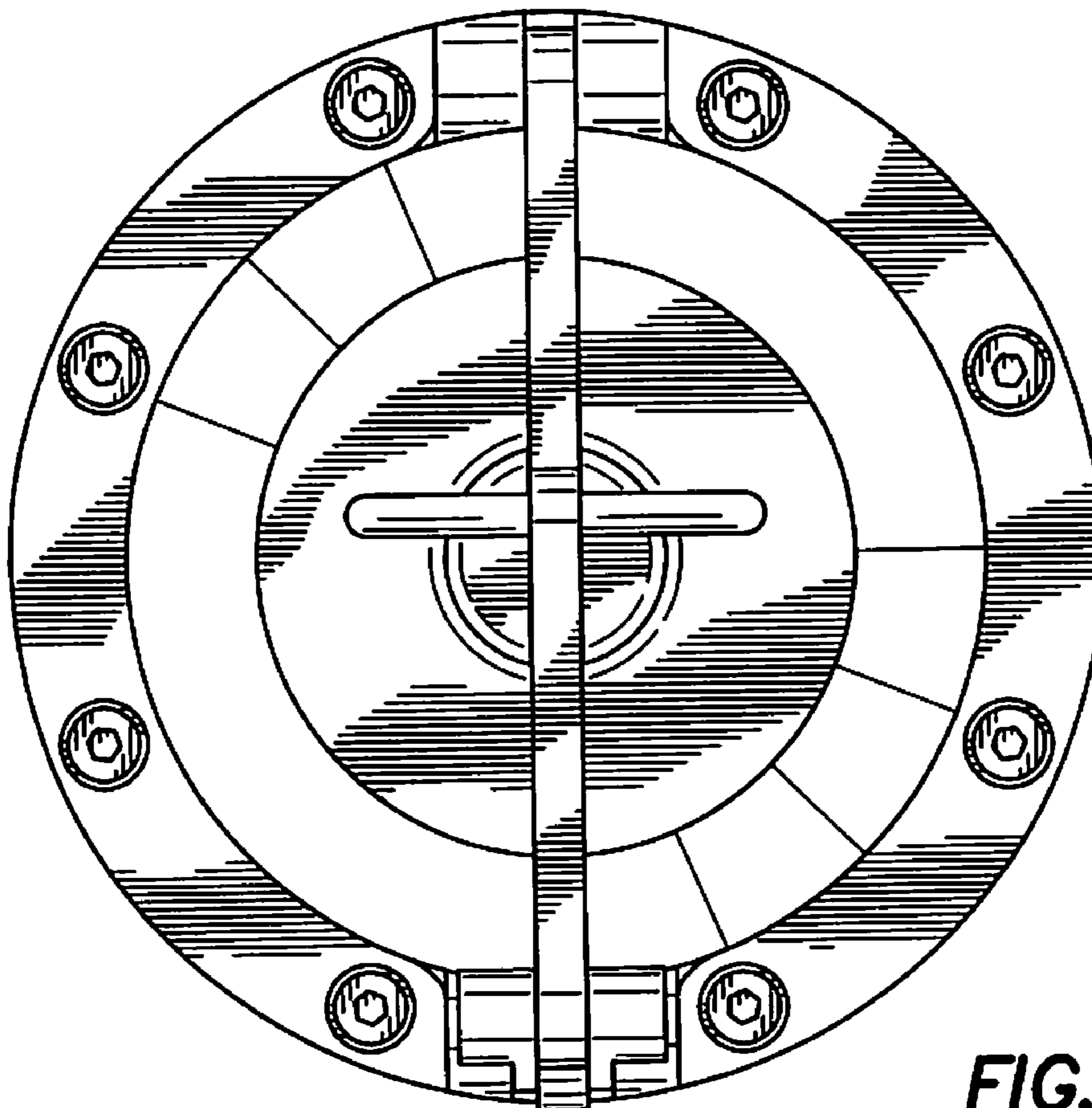


FIG. 4

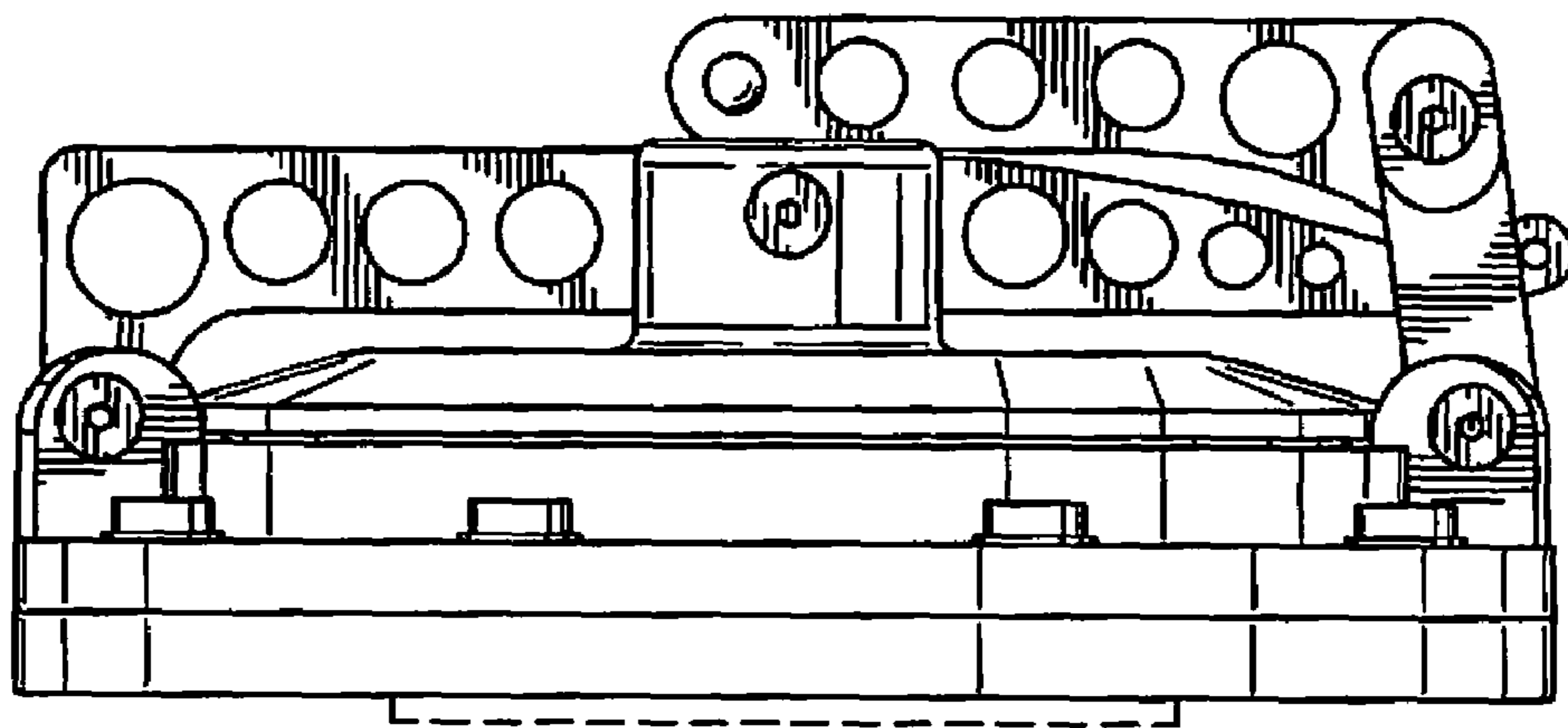


FIG. 5

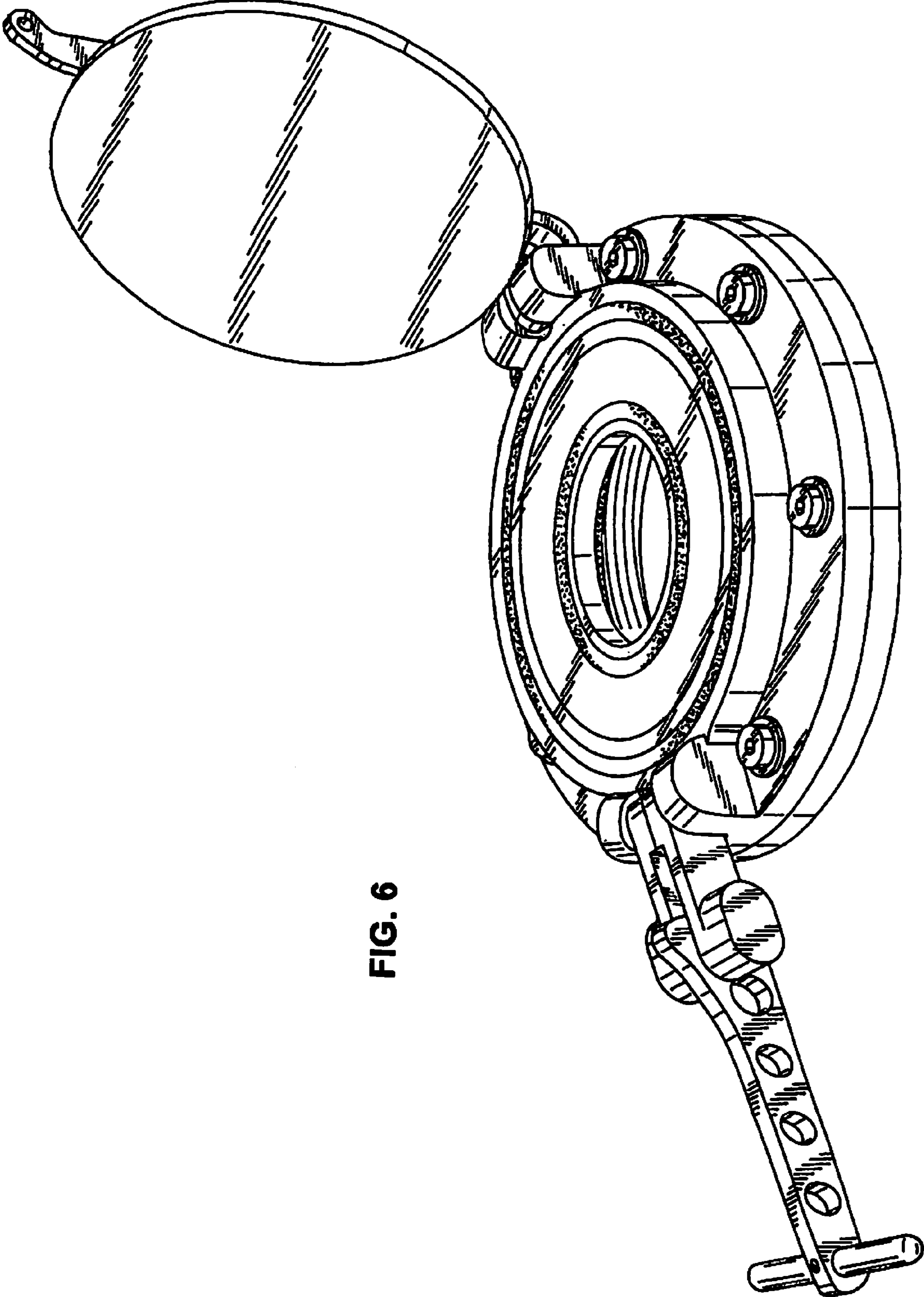


FIG. 6