



US00D585001S

(12) **United States Design Patent**  
**Chiu**

(10) **Patent No.:** **US D585,001 S**  
(45) **Date of Patent:** **\*\* Jan. 20, 2009**

(54) **ILLUMINATING TEXT DISPLAY FOR A TIRE**

7,079,042 B2 \* 7/2006 Reim ..... 340/815.45  
7,123,134 B2 \* 10/2006 Thomas et al. .... 340/435  
7,377,676 B2 \* 5/2008 Thomas et al. .... 362/500

(75) Inventor: **Wilson Wai Ho Chiu**, Kowloon (HK)

\* cited by examiner

(73) Assignee: **Global Manufacturing Partners Holdings Limited**, Kowloon (HK)

*Primary Examiner*—Cathron C Brooks  
*Assistant Examiner*—Linda Brooks

(\*\*) Term: **14 Years**

(74) *Attorney, Agent, or Firm*—Rabin & Berdo, P.C.

(21) Appl. No.: **29/283,177**

(57) **CLAIM**

(22) Filed: **Aug. 8, 2007**

The ornamental design for a illuminating text display for a tire, as shown and described.

(51) **LOC (9) Cl.** ..... **12-11**

(52) **U.S. Cl.** ..... **D12/114; D18/99**

(58) **Field of Classification Search** ..... D12/114,  
D12/111–113, 213; 280/288.4; D18/99;  
D15/135, 199; D10/104, 109–111; 40/446,  
40/452, 453, 481, 606.02; 701/1, 36; D8/31;  
301/37.108; 362/473; D26/34; 359/524  
See application file for complete search history.

**DESCRIPTION**

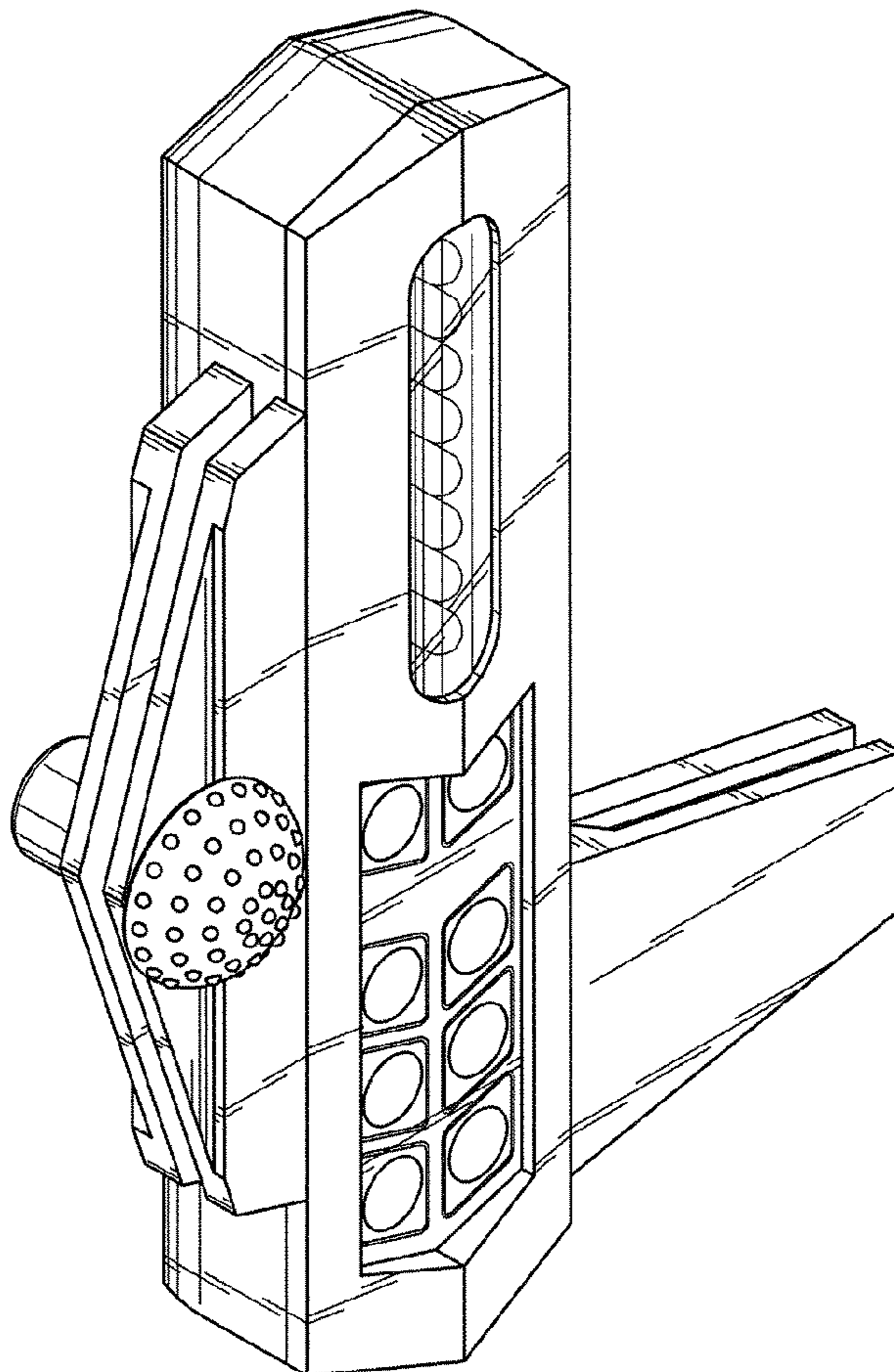
FIG. 1 is a perspective view of a illuminating text display for a tire showing my new design;  
FIG. 2 a front view thereof;  
FIG. 3 is a left side view thereof;  
FIG. 4 is a top view thereof;  
FIG. 5 is a rear view thereof;  
FIG. 6 is a right side view thereof; and,  
FIG. 7 is a bottom view thereof.

(56) **References Cited**

**U.S. PATENT DOCUMENTS**

6,048,068 A \* 4/2000 Broten ..... 359/524  
6,641,041 B2 \* 11/2003 Olds et al. .... 235/454

**1 Claim, 3 Drawing Sheets**



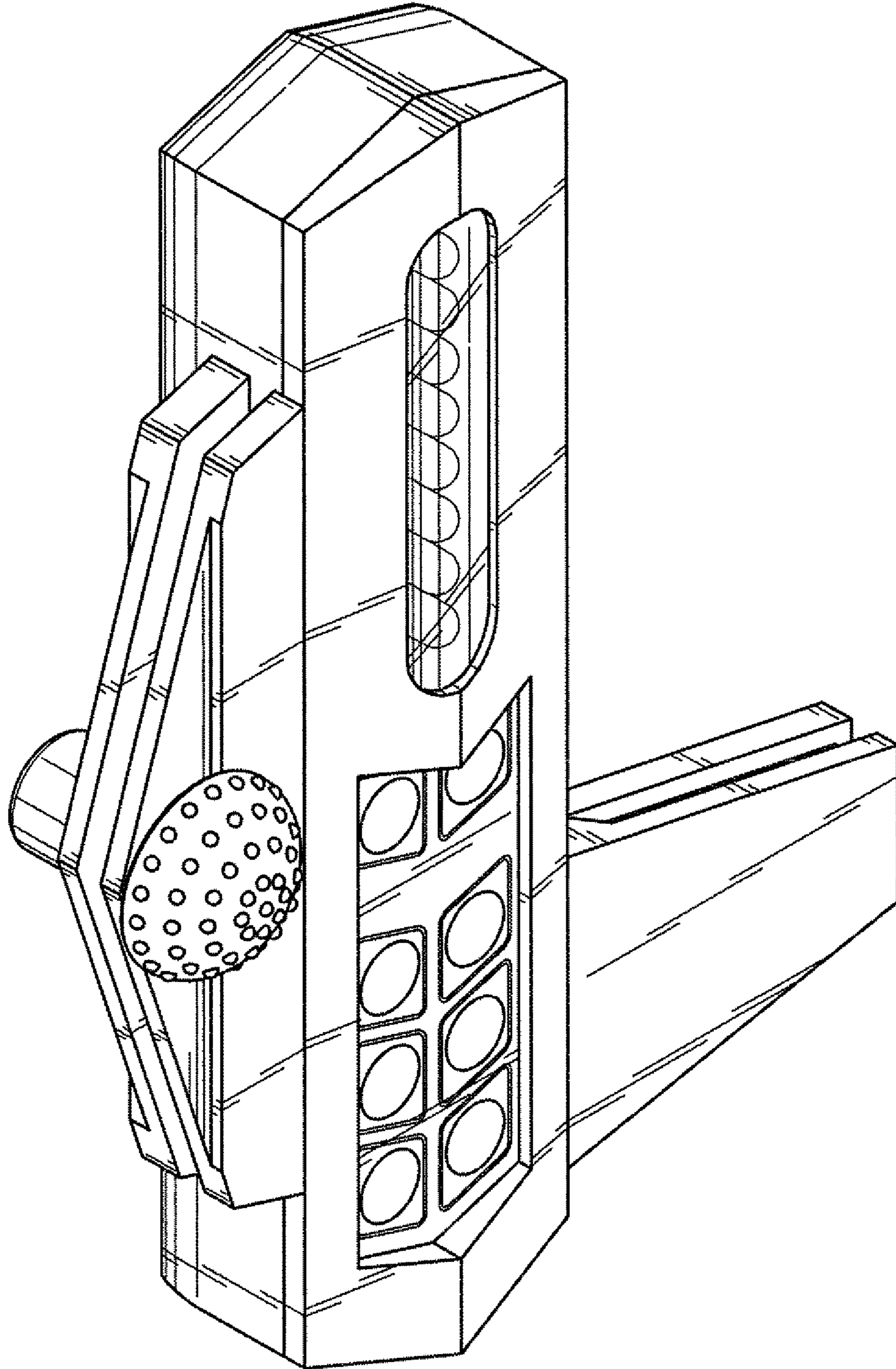


FIG. 1

FIG. 4

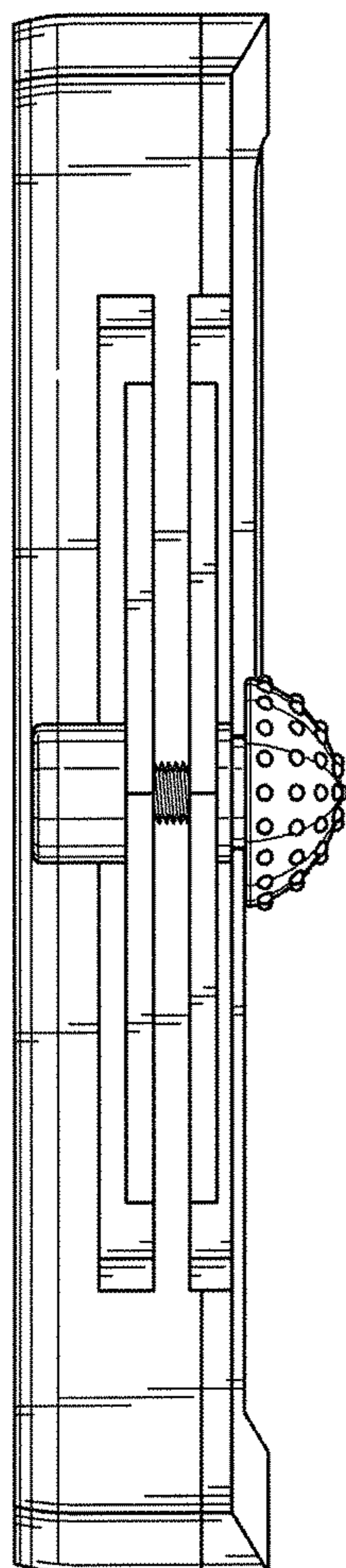
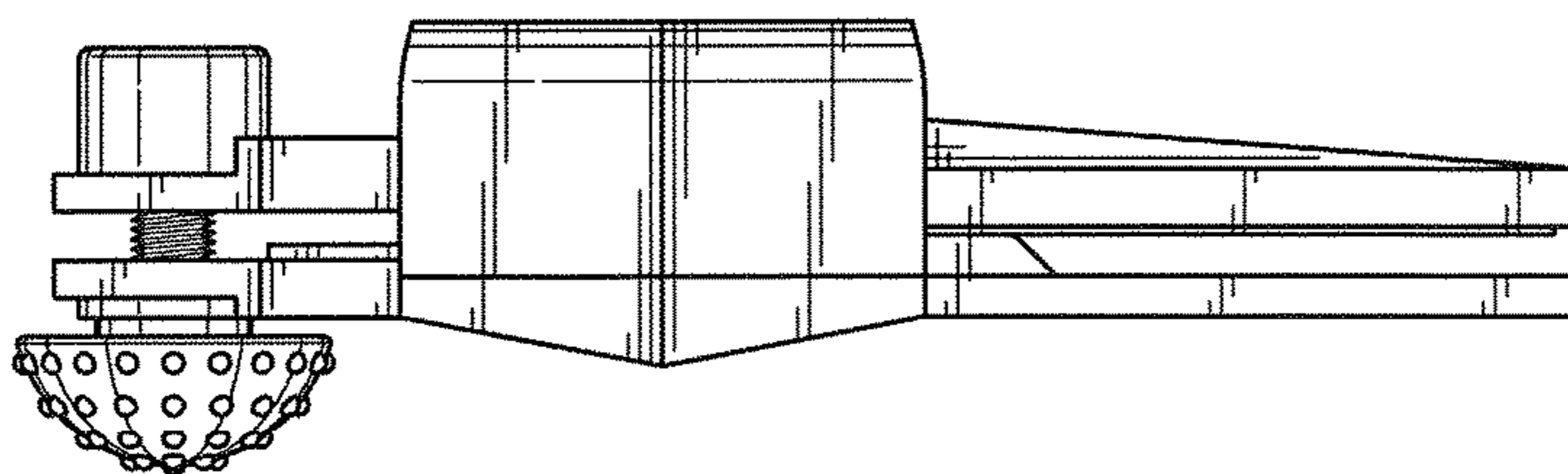


FIG. 3

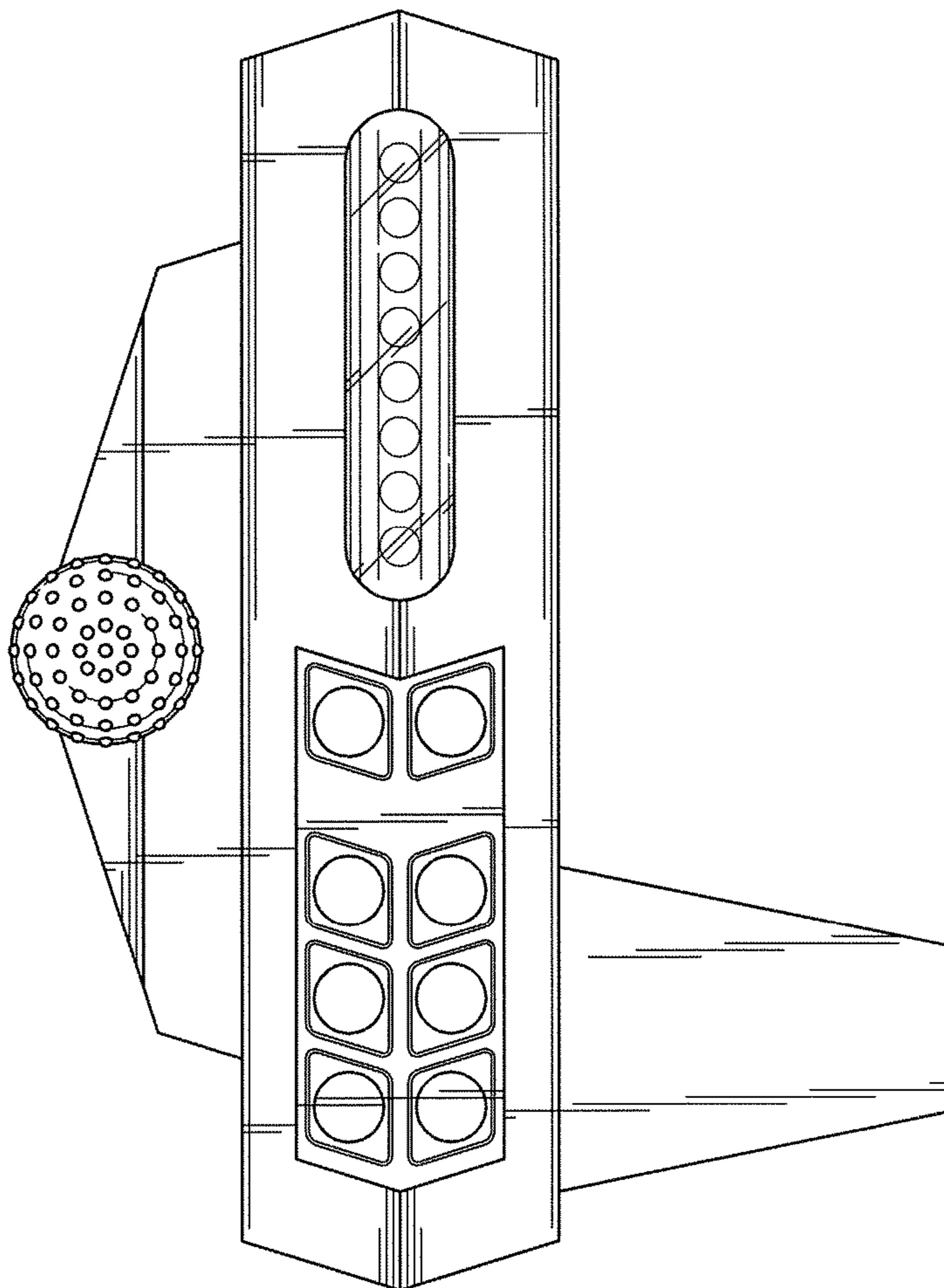


FIG. 2

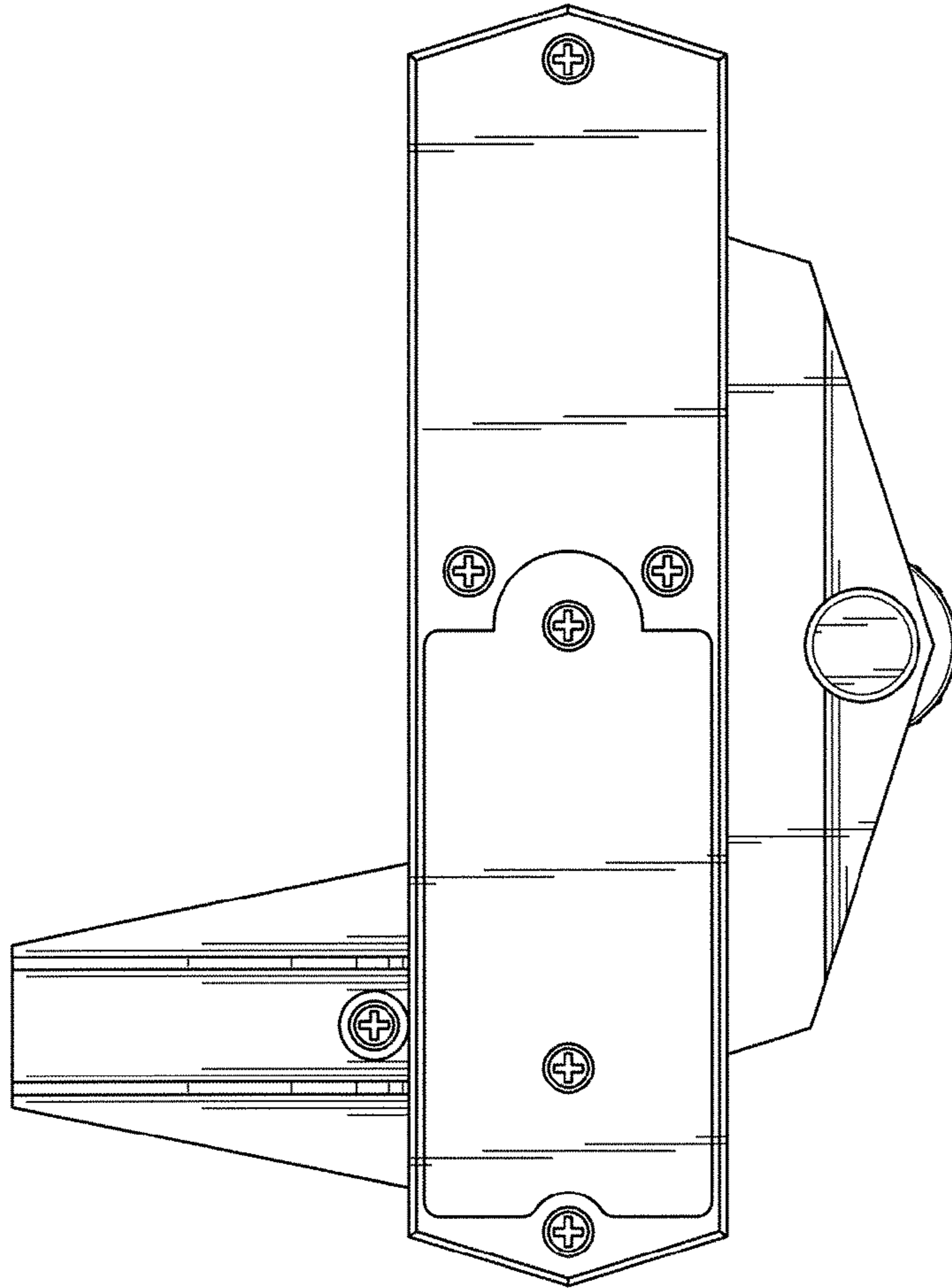


FIG. 5

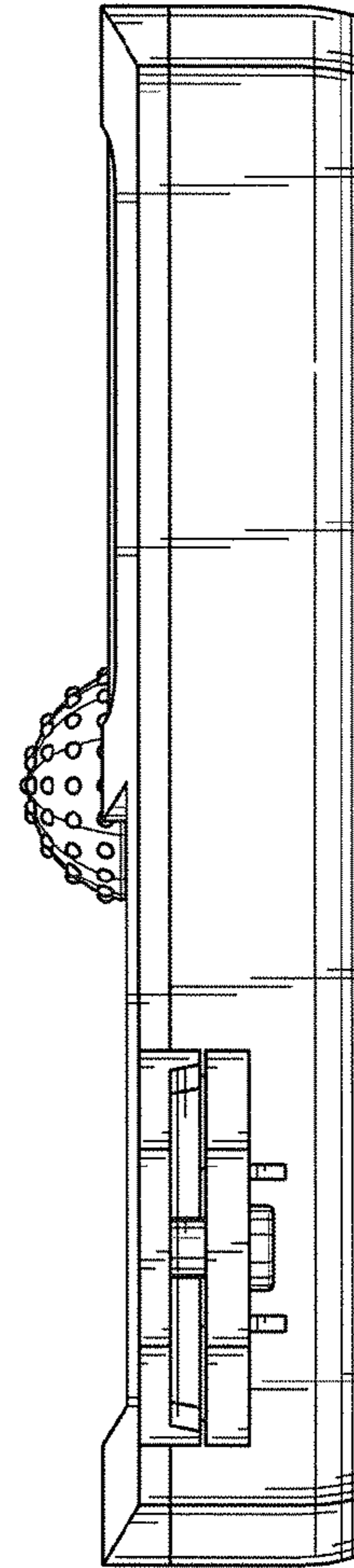


FIG. 6

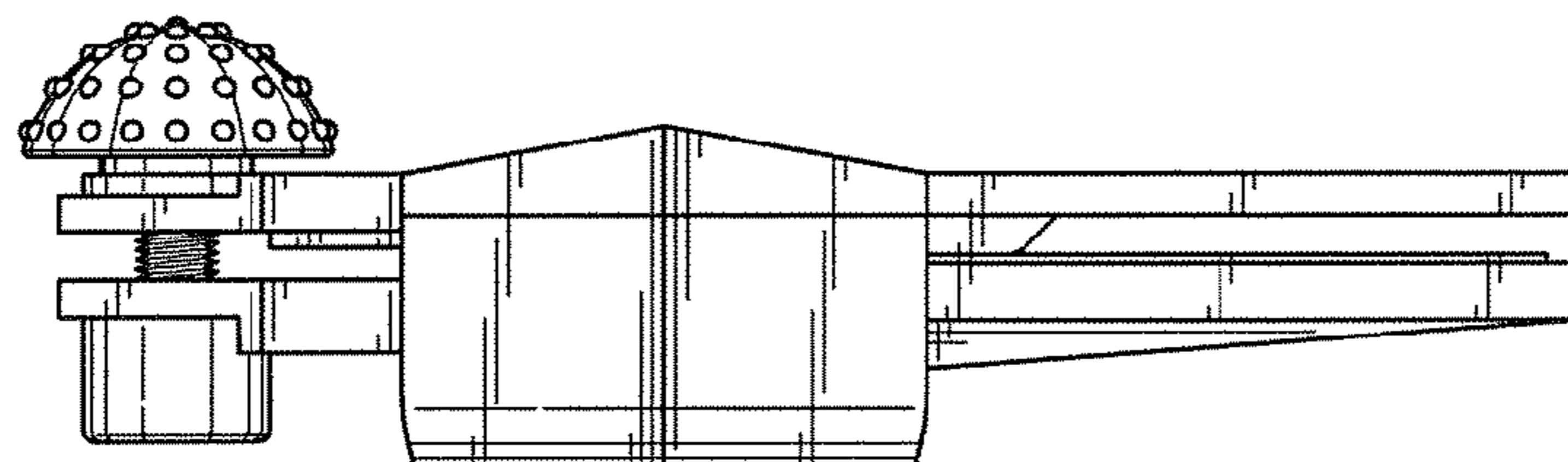


FIG. 7