



US00D584995S

(12) **United States Design Patent**
Dea

(10) **Patent No.:** **US D584,995 S**
(45) **Date of Patent:** **** Jan. 20, 2009**

(54) **FLOWER RECEPTICAL**

D509,713 S * 9/2005 Gall D11/146

(76) Inventor: **Leon Dea**, 101 Deerfield Rd., Bristol,
CT (US) 06010

* cited by examiner

(**) Term: **14 Years**

Primary Examiner—Caron Veynar
Assistant Examiner—Garth Rademaker
(74) *Attorney, Agent, or Firm*—Cantor Colburn LLP

(21) Appl. No.: **29/298,717**

(22) Filed: **Dec. 12, 2007**

(57) **CLAIM**

(51) **LOC (9) Cl.** **11-02**

The ornamental design for a flower receptical, as shown and described.

(52) **U.S. Cl.** **D11/149**

(58) **Field of Classification Search** D6/403–405,
D6/556–558; D7/624.1, 625; D9/629; D11/100,
D11/130, 132–134, 143, 144, 146–149, 152,
D11/157–159; D21/614; D25/100; 47/33,
47/39, 41.01, 41.1, 41.12–41.14, 43–47,
47/65.5, 70; 248/27.8

DESCRIPTION

See application file for complete search history.

FIG. 1 is a front perspective view of a flower receptical, showing my new design.

FIG. 2 is a front elevation view thereof;

FIG. 3 is a back elevation view thereof;

FIG. 4 is a top plan view thereof;

FIG. 5 is a bottom plan view thereof;

FIG. 6 is a right side view thereof;

FIG. 7 is a left side elevation view thereof; and,

FIG. 8 is a front perspective view thereof, shown in an environment of use.

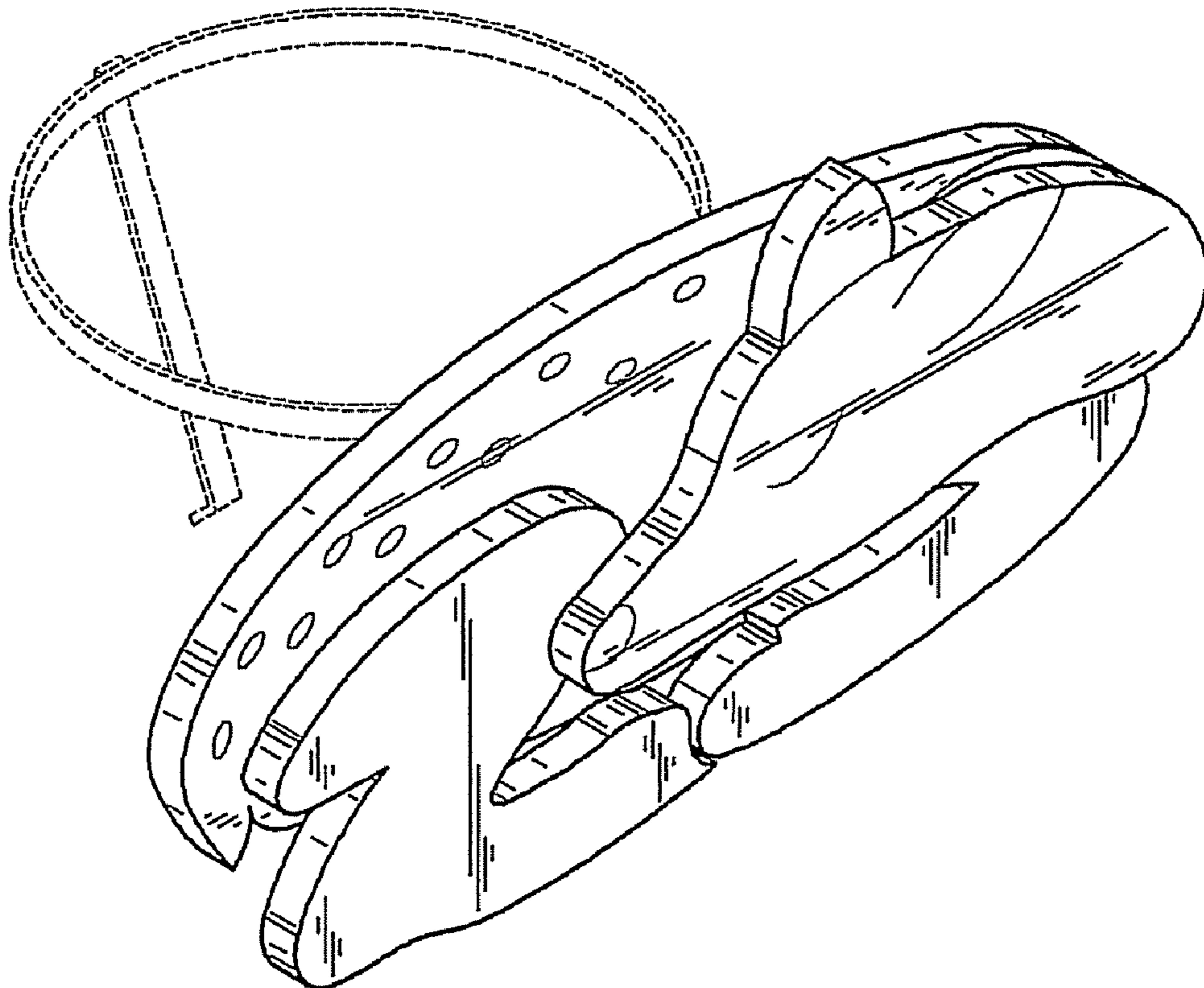
The broken lines depict environmental subject matter only and form no part of the claimed design.

(56) **References Cited**

U.S. PATENT DOCUMENTS

- 365,555 A * 6/1887 Tolman 47/39
- D68,848 S * 11/1925 Bradish D11/134
- D156,622 S * 12/1949 Harmon, Jr. D11/100
- 2,574,638 A * 11/1951 Gilbert D7/624.1
- 4,161,831 A * 7/1979 Restle D11/132
- D279,843 S * 7/1985 Dolan D6/404
- D392,208 S * 3/1998 Chong D11/158
- D406,788 S * 3/1999 Adams et al. D11/130

1 Claim, 3 Drawing Sheets



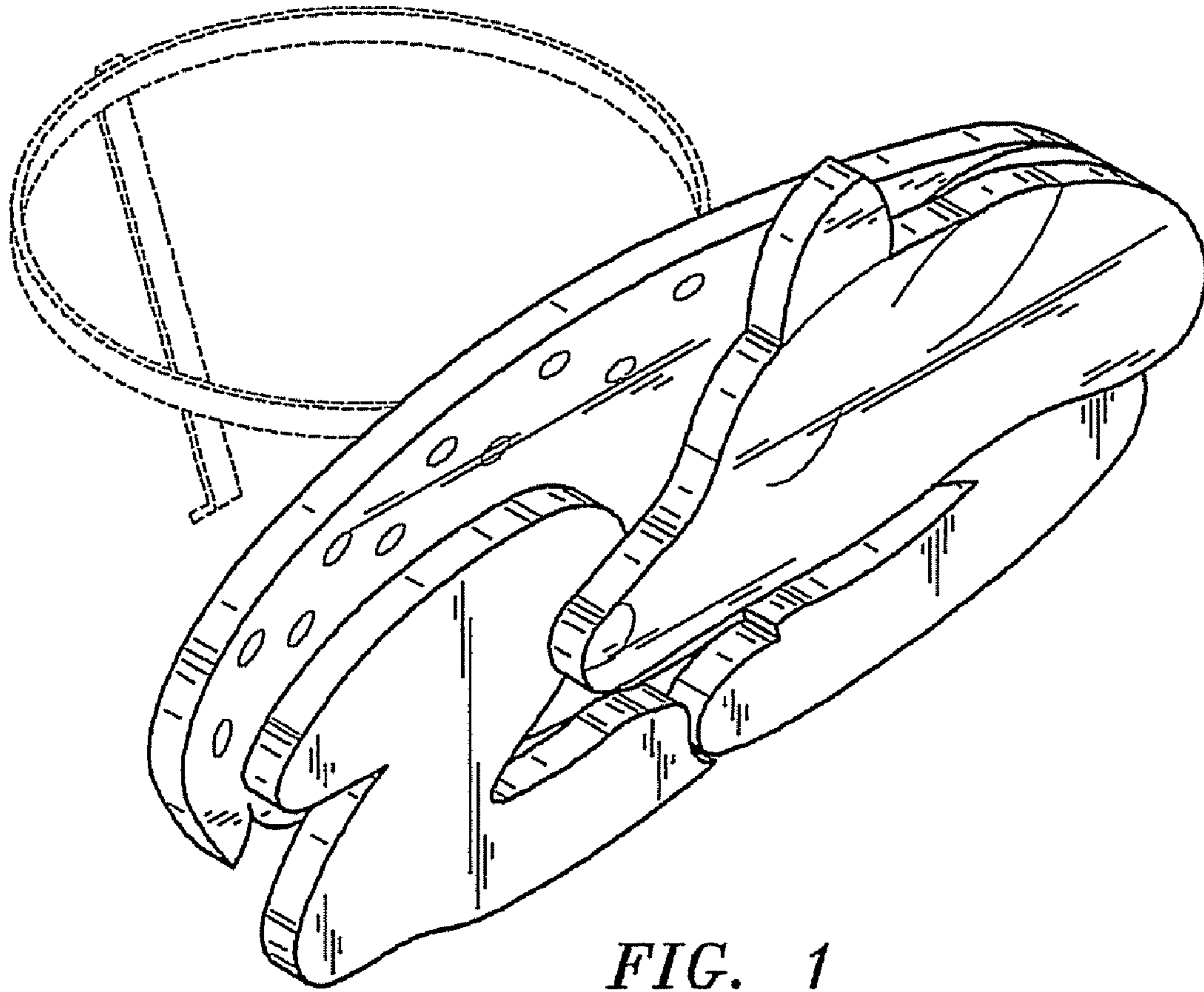


FIG. 1

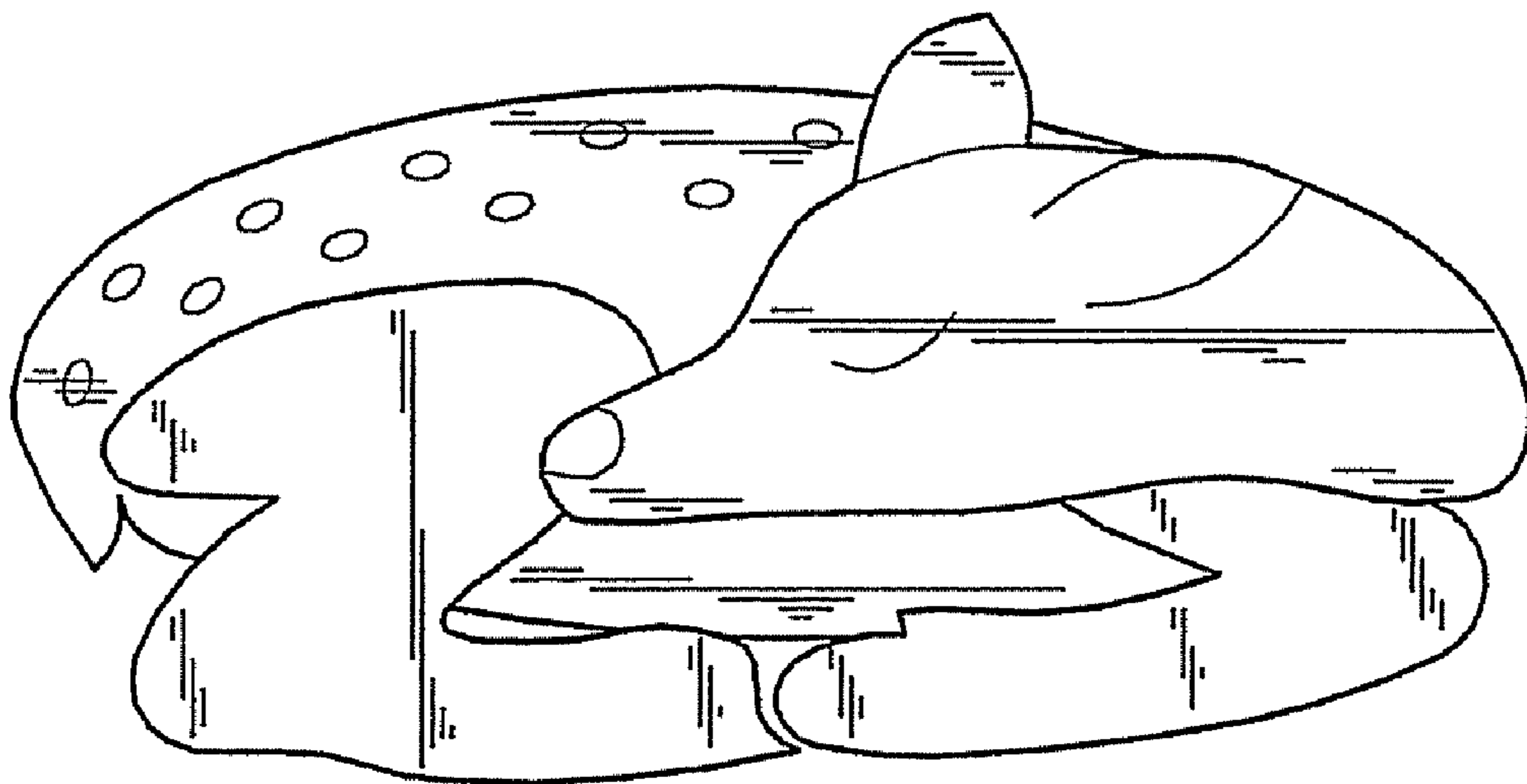


FIG. 2

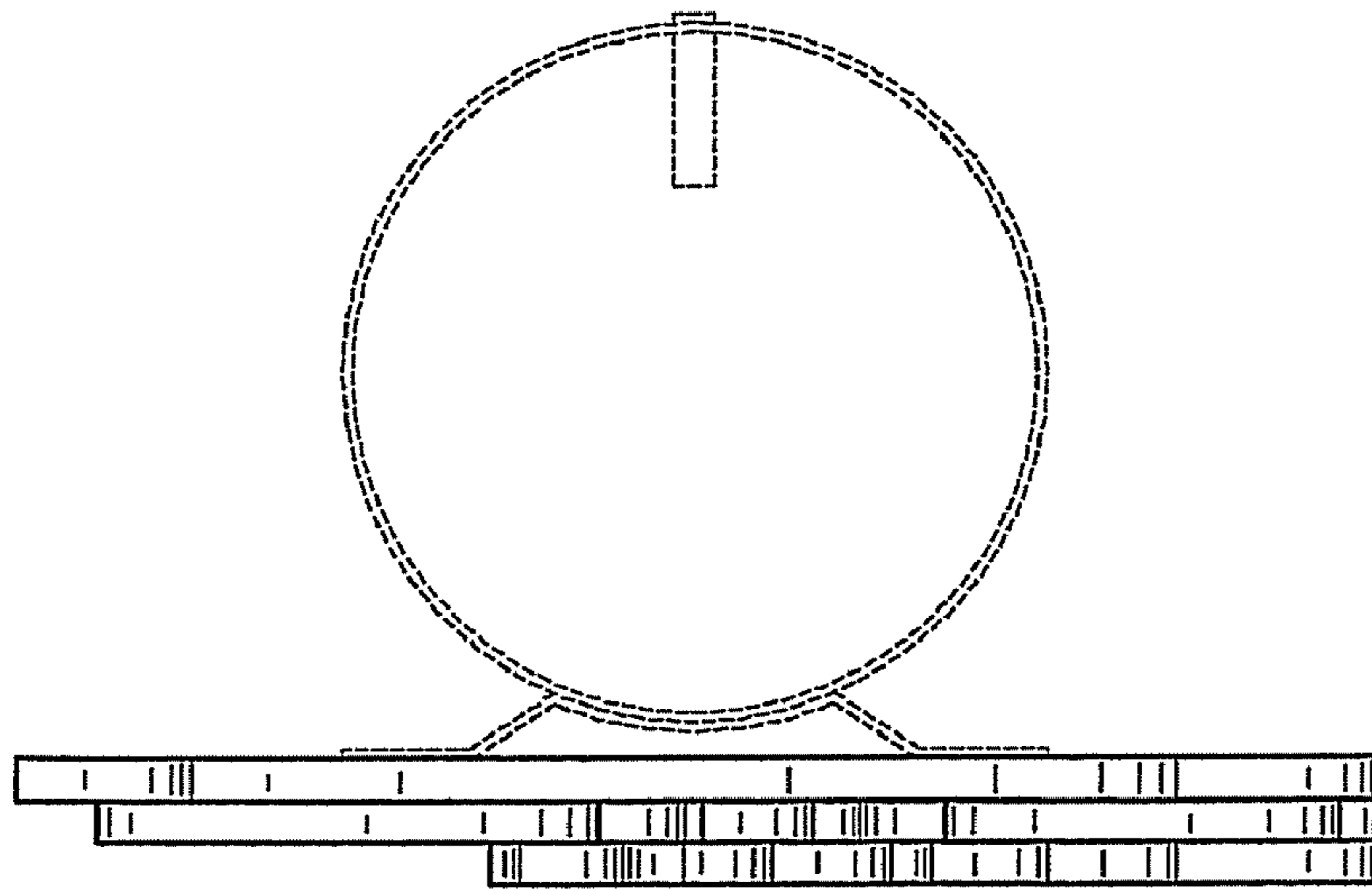


FIG. 4

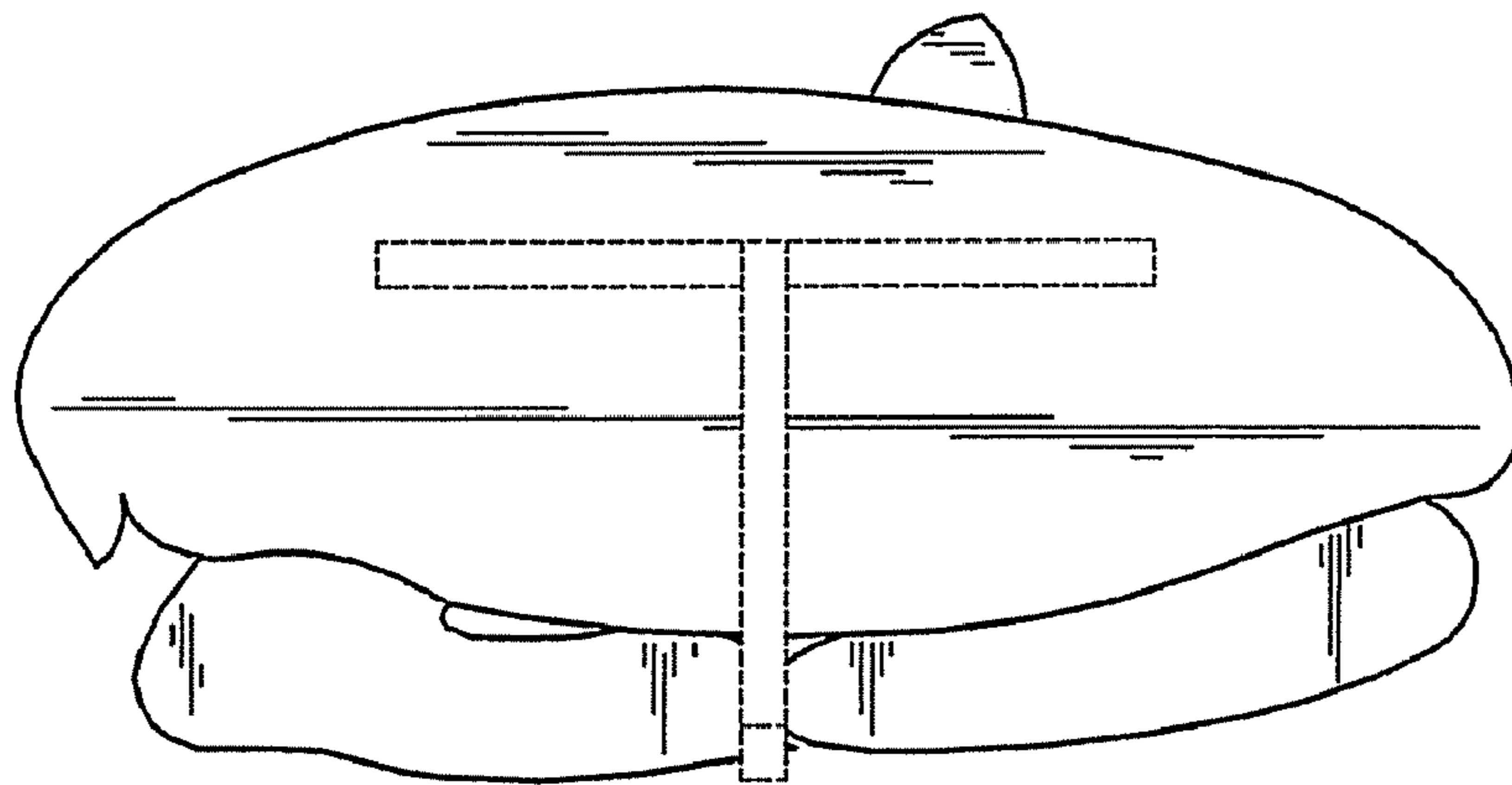


FIG. 3

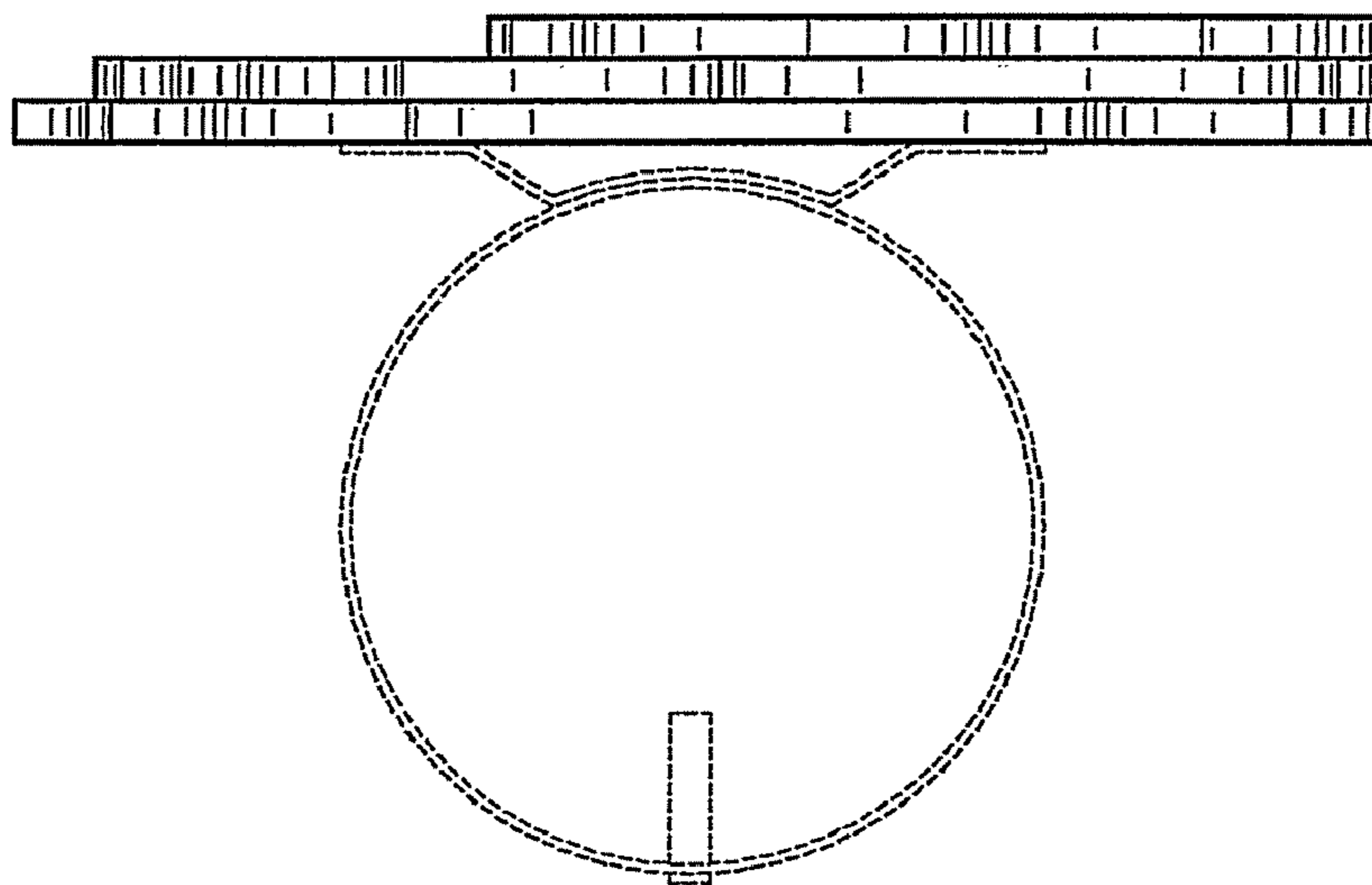


FIG. 5



FIG. 8

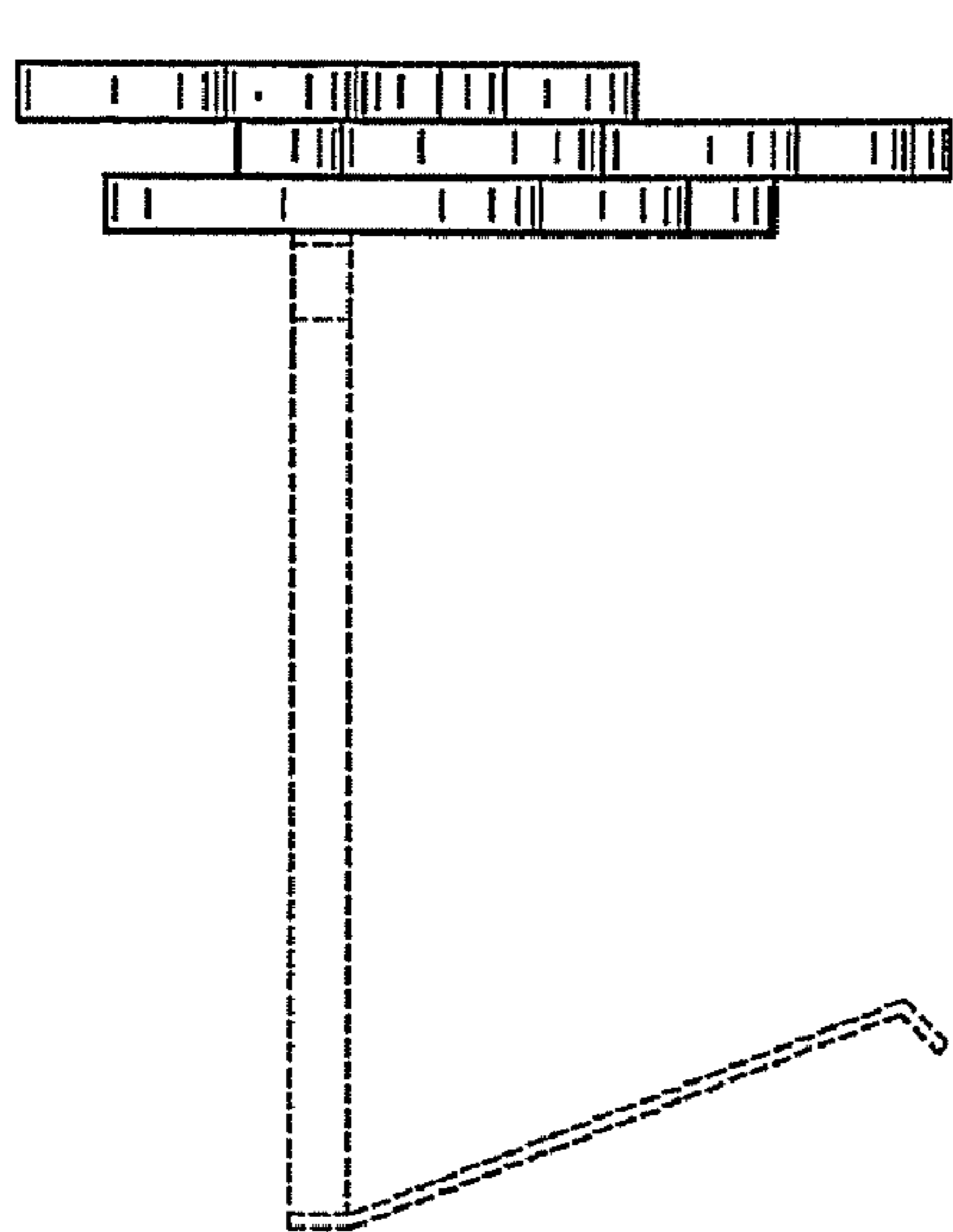


FIG. 6

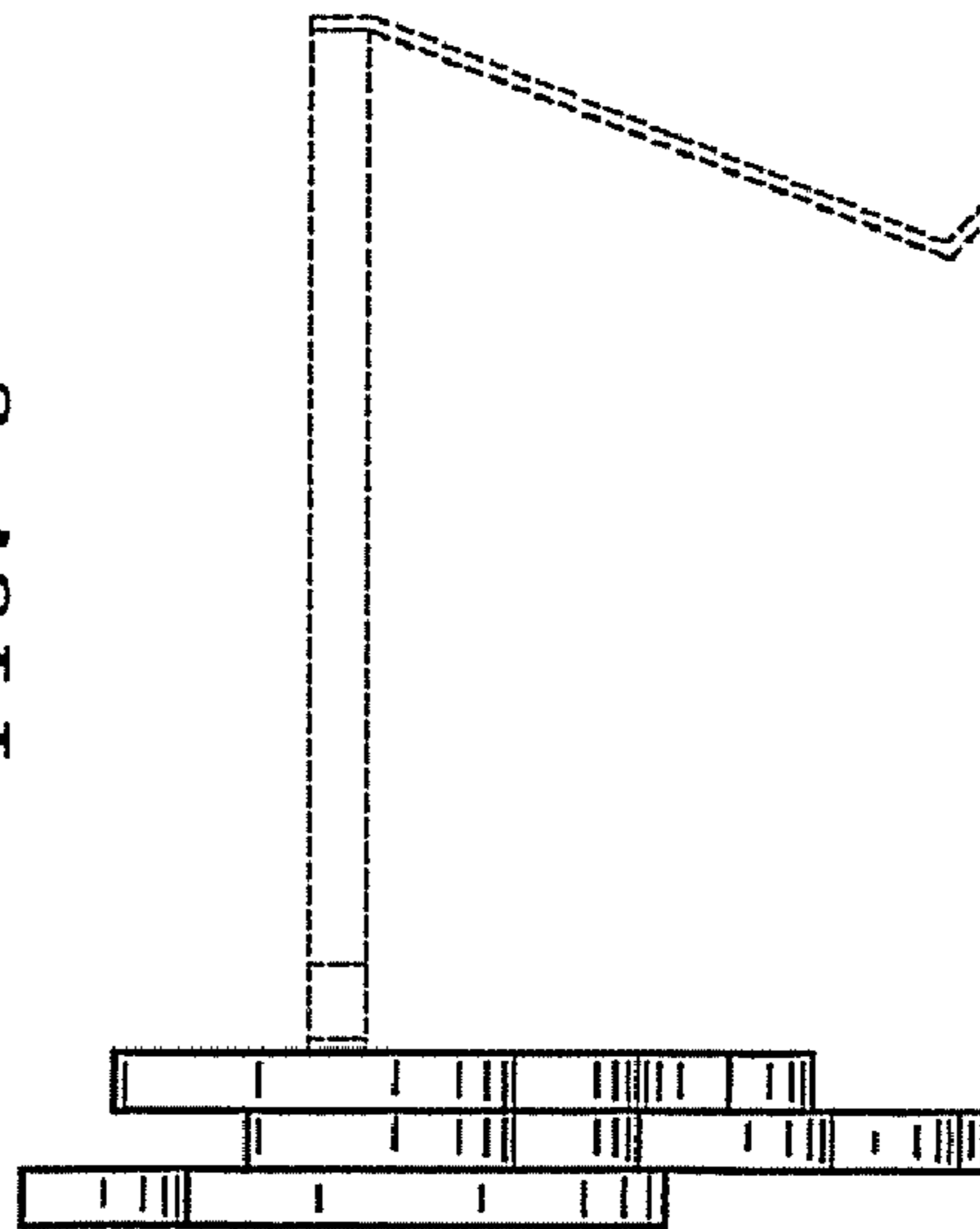


FIG. 7