



US00D584980S

(12) **United States Design Patent**
Shin

(10) **Patent No.:** **US D584,980 S**
(45) **Date of Patent:** **** Jan. 20, 2009**

(54) **LOW PROFILE LIGHT BAR FOR EMERGENCY VEHICLES**

D578,425 S * 10/2008 Shin D10/114

* cited by examiner

(76) Inventor: **David Shin**, 7322 Madison St.,
Paramount, CA (US) 90723

Primary Examiner—Marcus A. Jackson
(74) *Attorney, Agent, or Firm*—Kirk A. Buhler; Buhler &
Associates

(**) Term: **14 Years**

(21) Appl. No.: **29/301,466**

(57) **CLAIM**

(22) Filed: **Mar. 3, 2008**

The ornamental design for a low profile light bar for emergency vehicles, as shown and described.

(51) **LOC (9) Cl.** **10-05**

(52) **U.S. Cl.** **D10/114**

(58) **Field of Classification Search** D26/28-36;
D10/114; 362/293, 362, 800; 340/815.45,
340/907

DESCRIPTION

See application file for complete search history.

FIG. 1 is a top, view for a low profile light bar for emergency vehicles showing my new design;

FIG. 2 is a left view thereof;

FIG. 3 is a front view thereof;

FIG. 4 is a back view thereof;

FIG. 5 is a right view thereof;

FIG. 6 is a left view thereof;

FIG. 7 is an isometric view thereof; and,

FIG. 8 is a view of the low profile light bar for emergency vehicles mounted on the roof of vehicle.

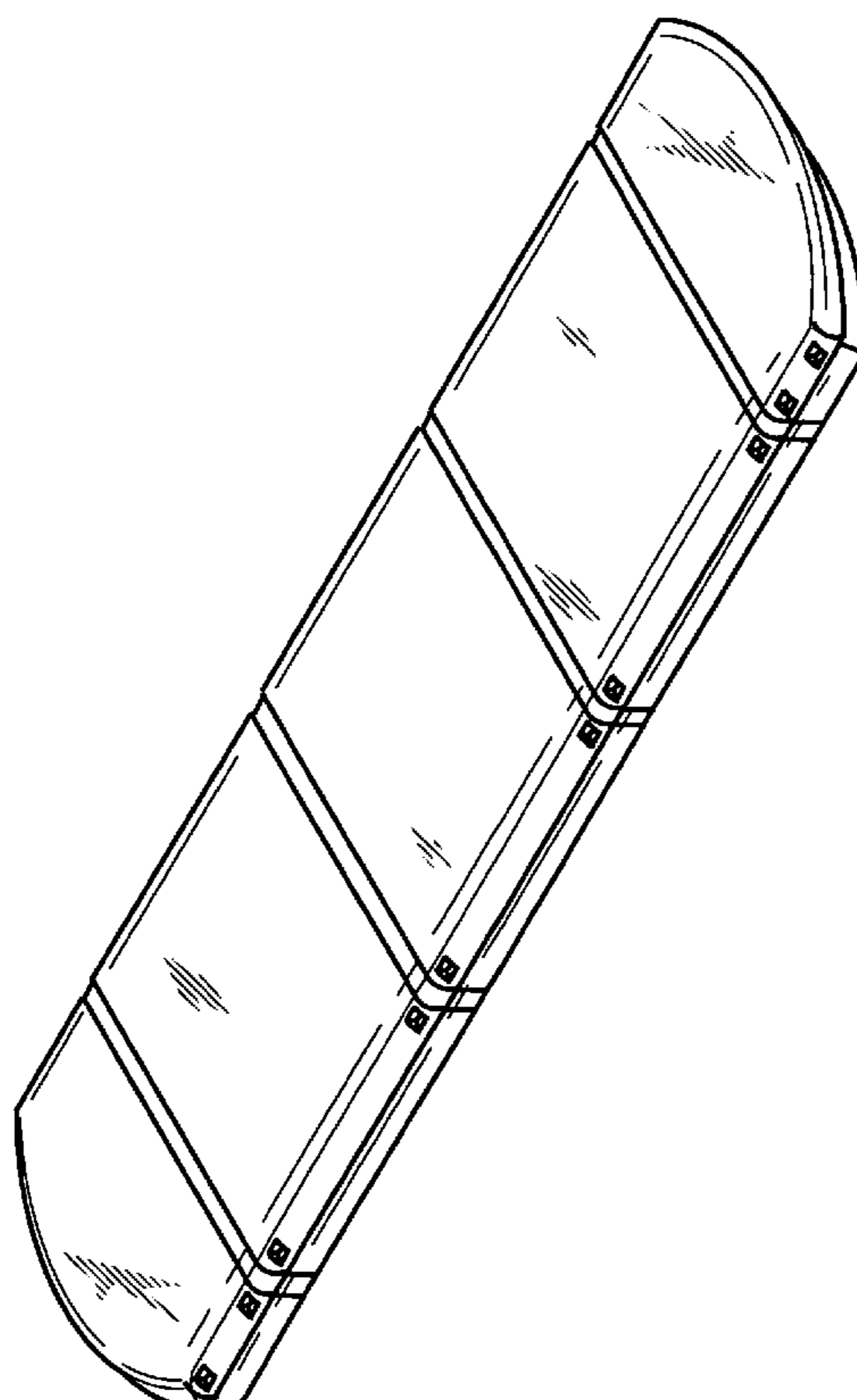
The broken lines in FIG. 8 represents mounting hardware for the invention on a vehicle and are or are not part of the claimed design.

(56) **References Cited**

U.S. PATENT DOCUMENTS

D345,315 S *	3/1994	Green et al.	D10/114
D345,316 S	3/1994	Green et al.		
D355,142 S *	2/1995	Wagner	D10/114
D363,675 S *	10/1995	Sasaki et al.	D10/114
D402,909 S	12/1998	Stanuch		
D410,402 S *	6/1999	Stein et al.	D10/114
D432,444 S	10/2000	Sasaki et al.		
D469,711 S	2/2003	Neufeglise et al.		
D476,253 S	6/2003	Stein et al.		
D499,976 S	12/2004	Neufeglise et al.		
D545,230 S *	6/2007	Jalala	D10/114

1 Claim, 4 Drawing Sheets



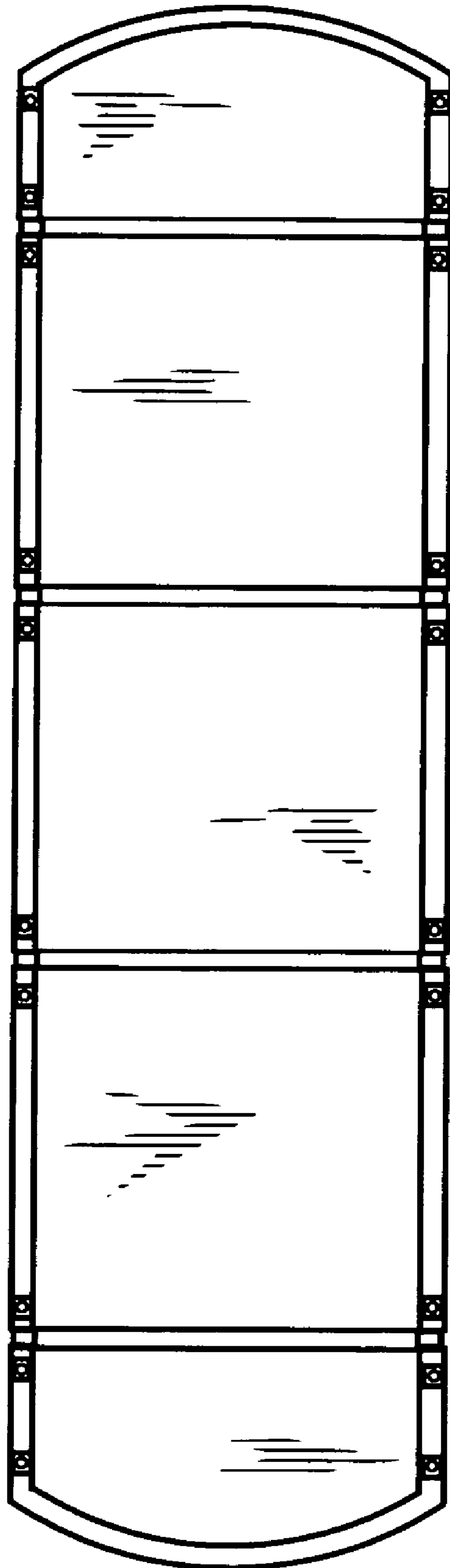


FIG. 1



FIG. 2

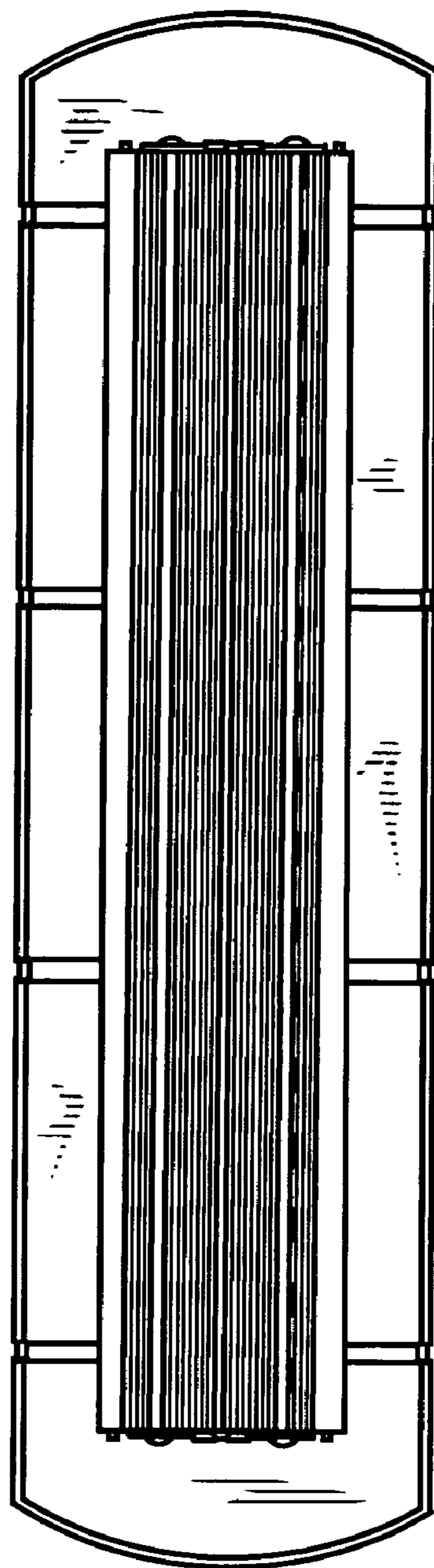


FIG. 3



FIG. 4



FIG. 5



FIG. 6

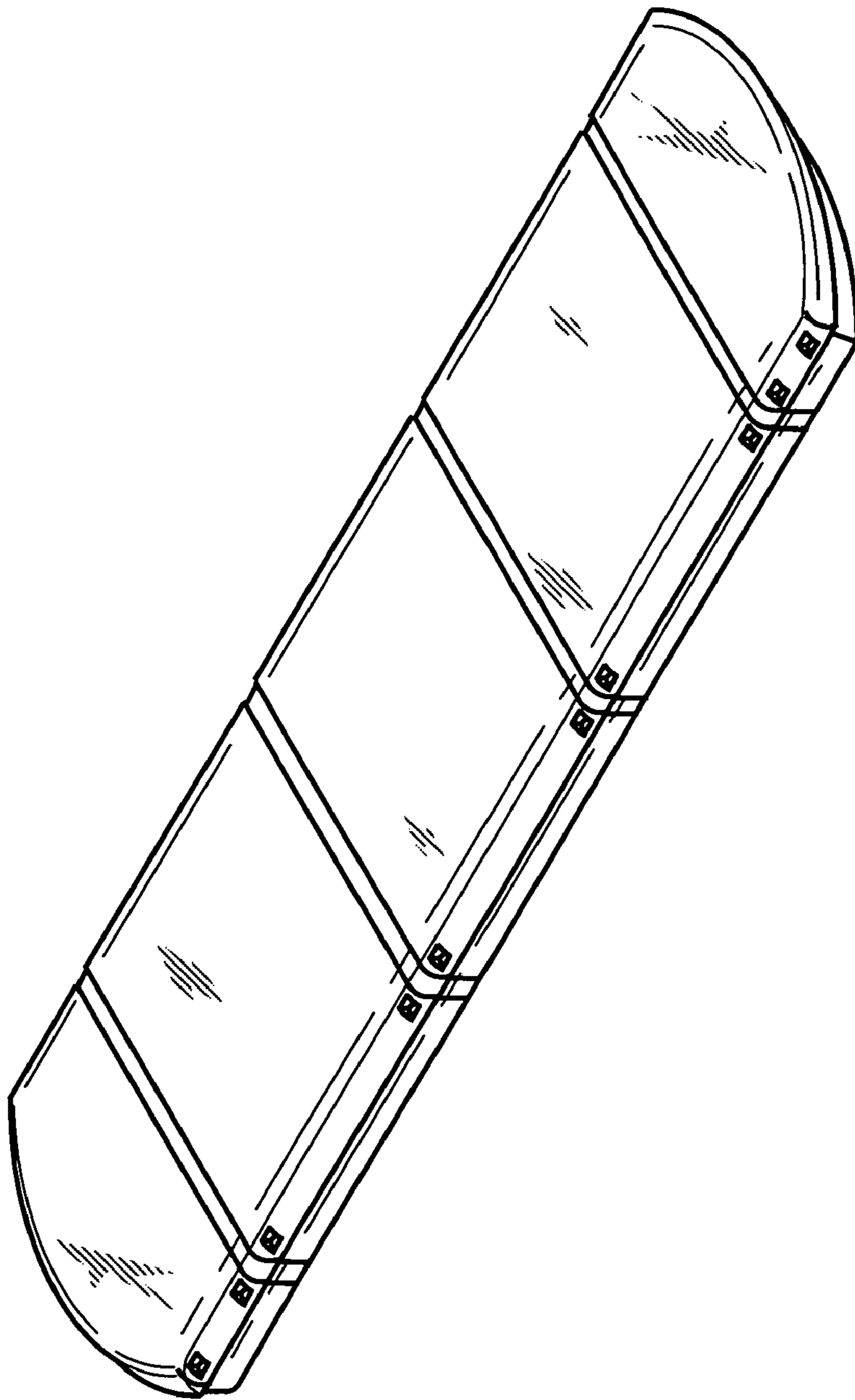


FIG. 7

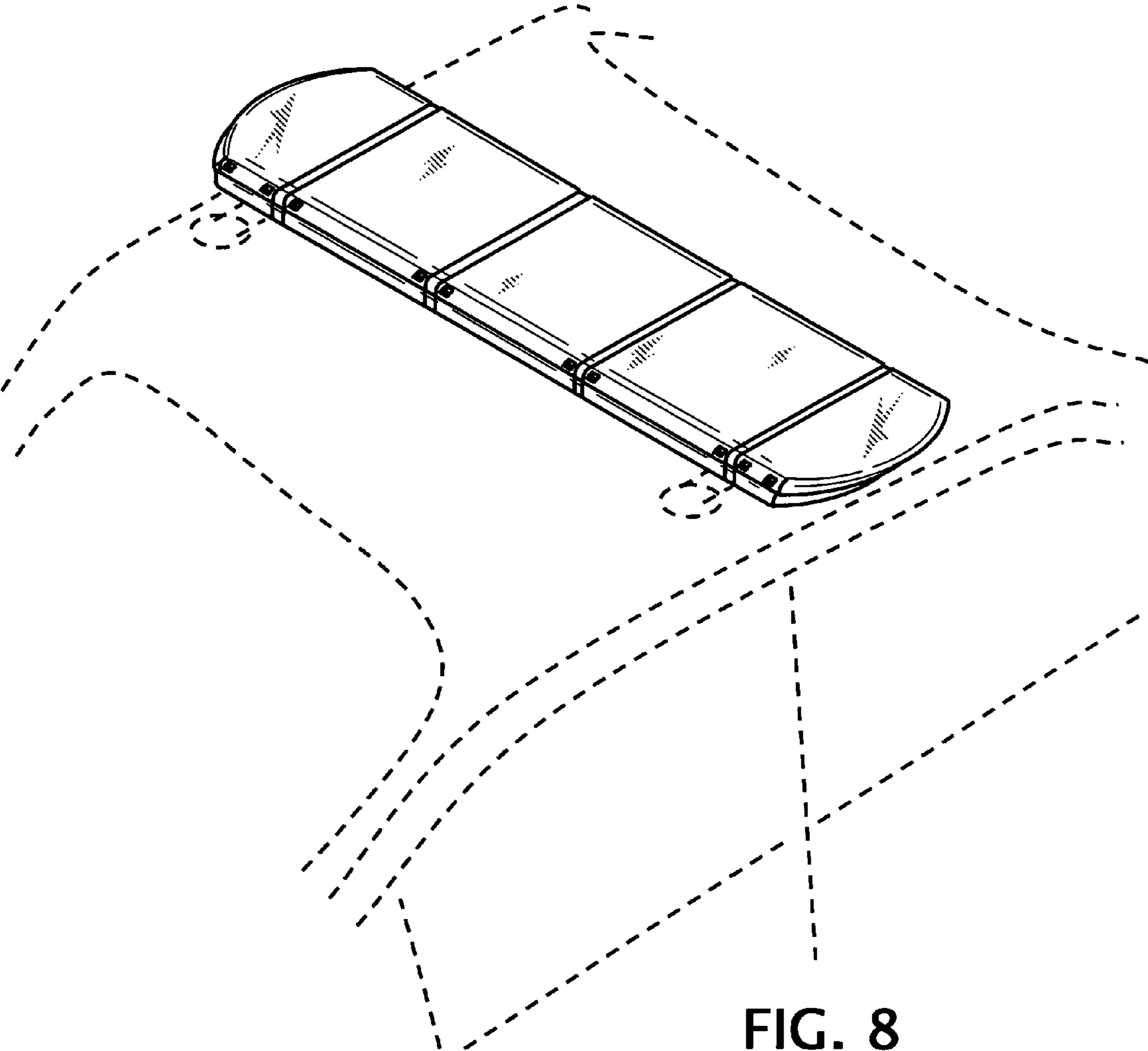


FIG. 8