



US00D584972S

(12) **United States Design Patent**  
**Aeberhard et al.**

(10) **Patent No.:** **US D584,972 S**  
(45) **Date of Patent:** **\*\* Jan. 20, 2009**

(54) **WRIST BAND**

(75) Inventors: **Fabrice Aeberhard**, Affoltern am Albis (CH); **Christian Kaegi**, Zürich (CH)

(73) Assignee: **Cool Mountain Collection AG**, Meggen (CH)

(\*\*) Term: **14 Years**

(21) Appl. No.: **29/298,809**

(22) Filed: **Dec. 13, 2007**

(30) **Foreign Application Priority Data**

Jun. 25, 2007 (CH) ..... 134117

(51) **LOC (9) Cl.** ..... **10-04**

(52) **U.S. Cl.** ..... **D10/70; D10/32**

(58) **Field of Classification Search** ..... D10/46,  
D10/30-32, 38, 70, 122-132; D24/140,  
D24/164; 368/276, 281, 282, 285, 239-242,  
368/28-30, 82-84; 600/301, 485, 503; 604/290,  
604/890.1

See application file for complete search history.

(56) **References Cited**

**U.S. PATENT DOCUMENTS**

D294,228 S \* 2/1988 Palazzo ..... D10/38  
D299,028 S \* 12/1988 Hermann ..... D10/31

D299,463 S \* 1/1989 Hermann ..... D10/31  
D452,957 S \* 1/2002 Bodino ..... D10/32  
6,447,457 B1 \* 9/2002 Forstner et al. .... 600/485  
D503,895 S \* 4/2005 Black ..... D10/32  
D538,687 S \* 3/2007 Komulainen ..... D10/70  
7,226,418 B2 \* 6/2007 Kim ..... 600/485  
D576,501 S \* 9/2008 Tang ..... D10/32

\* cited by examiner

*Primary Examiner*—Antoine D Davis

(74) *Attorney, Agent, or Firm*—Notaro & Michalos P.C.

(57) **CLAIM**

The ornamental design for a wrist band, as shown and described.

**DESCRIPTION**

FIG. 1 is a perspective view of a watchband containing solar cells and a peltier element for cooling the human body, showing our new design therefor;

FIG. 2 is a side perspective view thereof;

FIG. 3 is another side perspective view thereof;

FIG. 4 is a side elevational view thereof;

FIG. 5 is a top plan view thereof;

FIG. 6 is a rear elevational view thereof; and,

FIG. 7 is a front elevational view thereof.

**1 Claim, 3 Drawing Sheets**

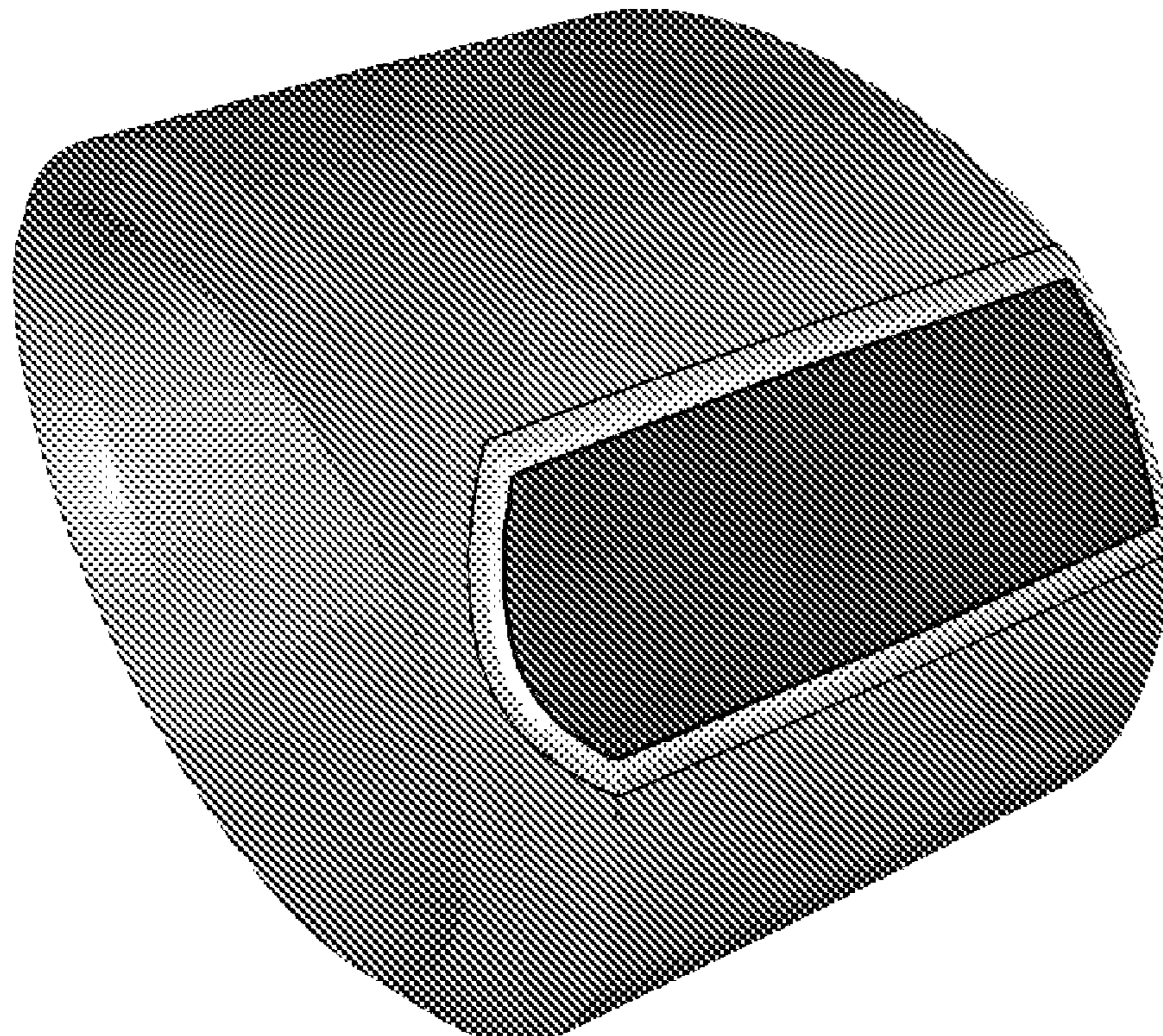


FIG. 1

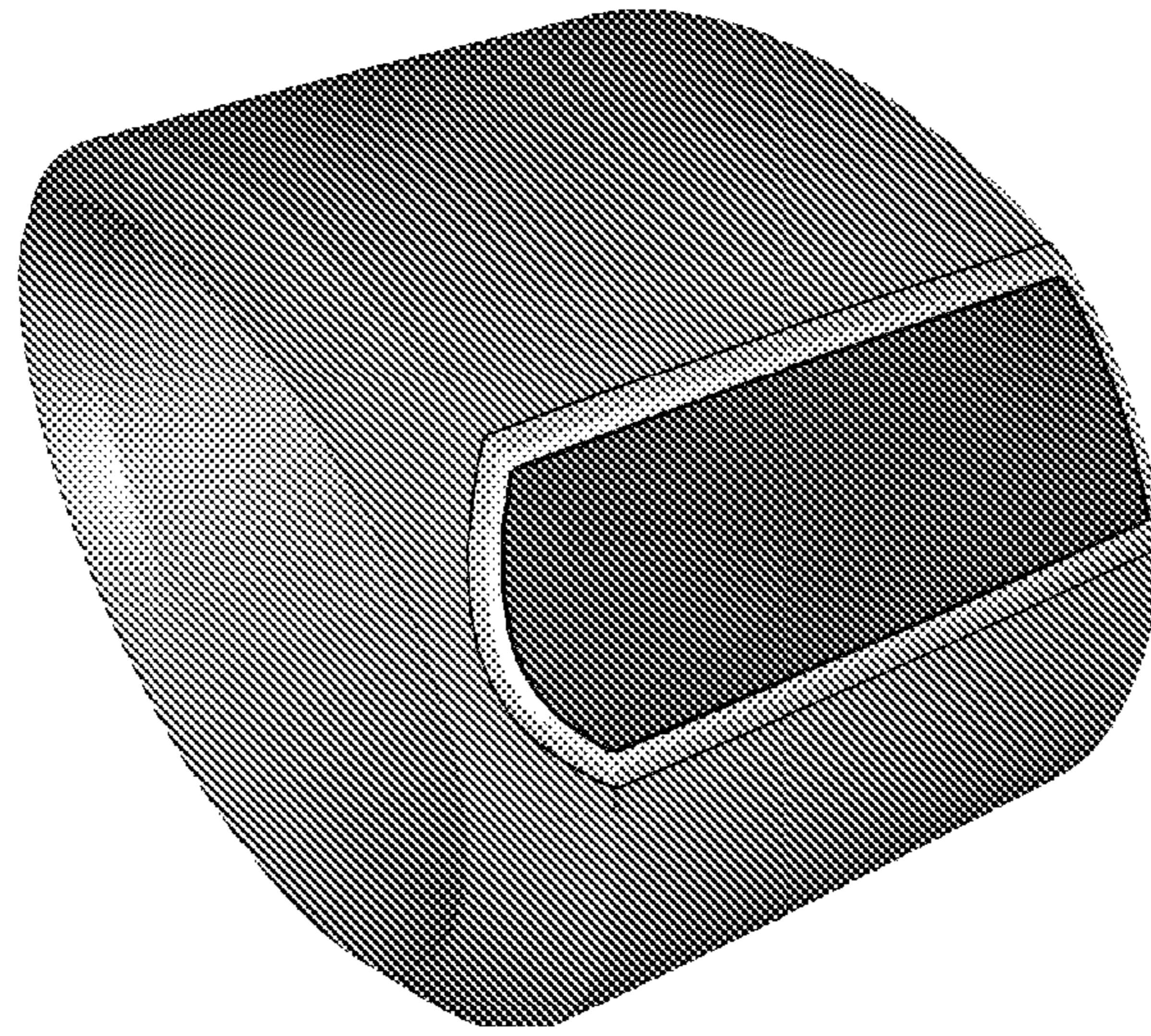


FIG. 2

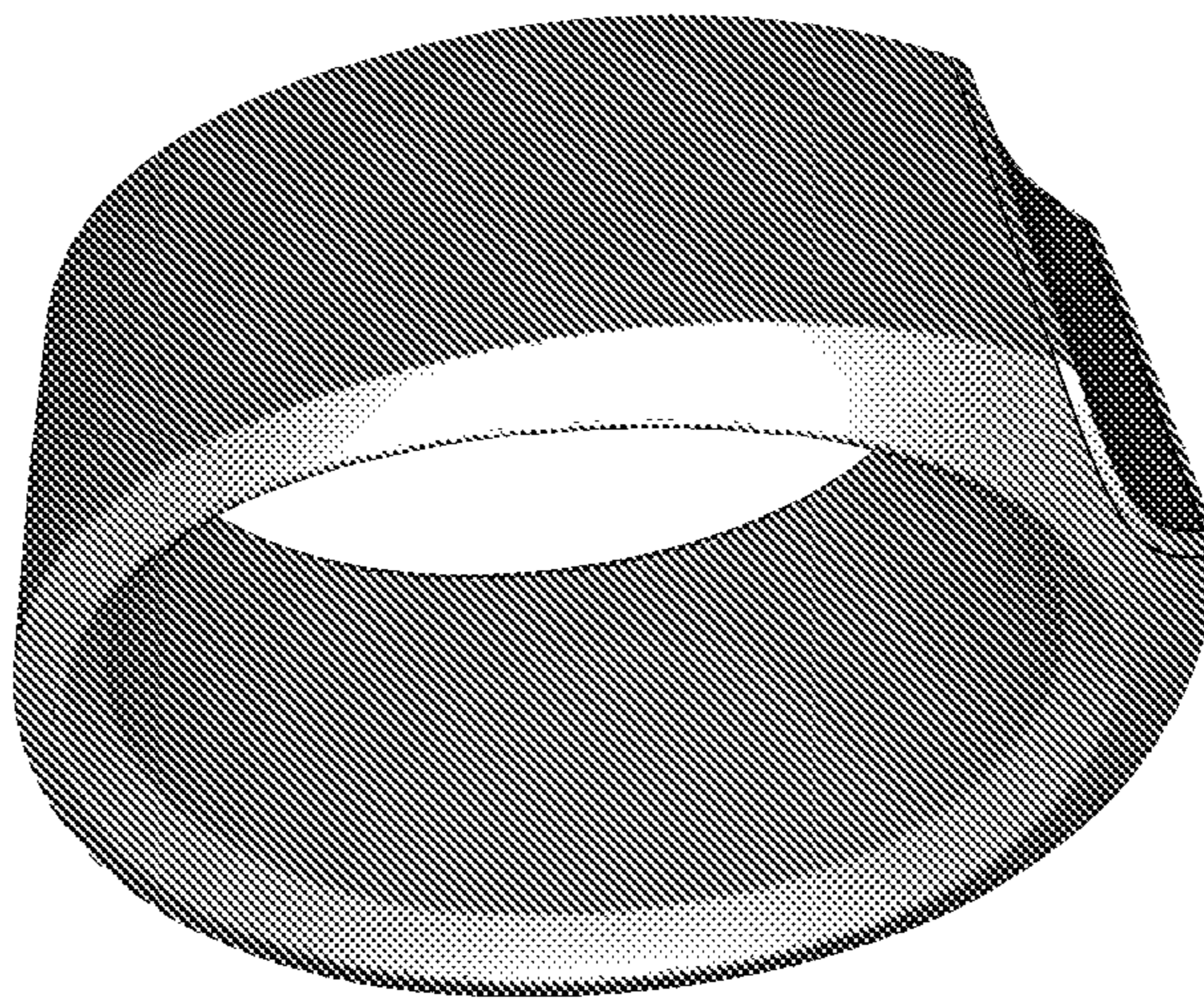


FIG. 3

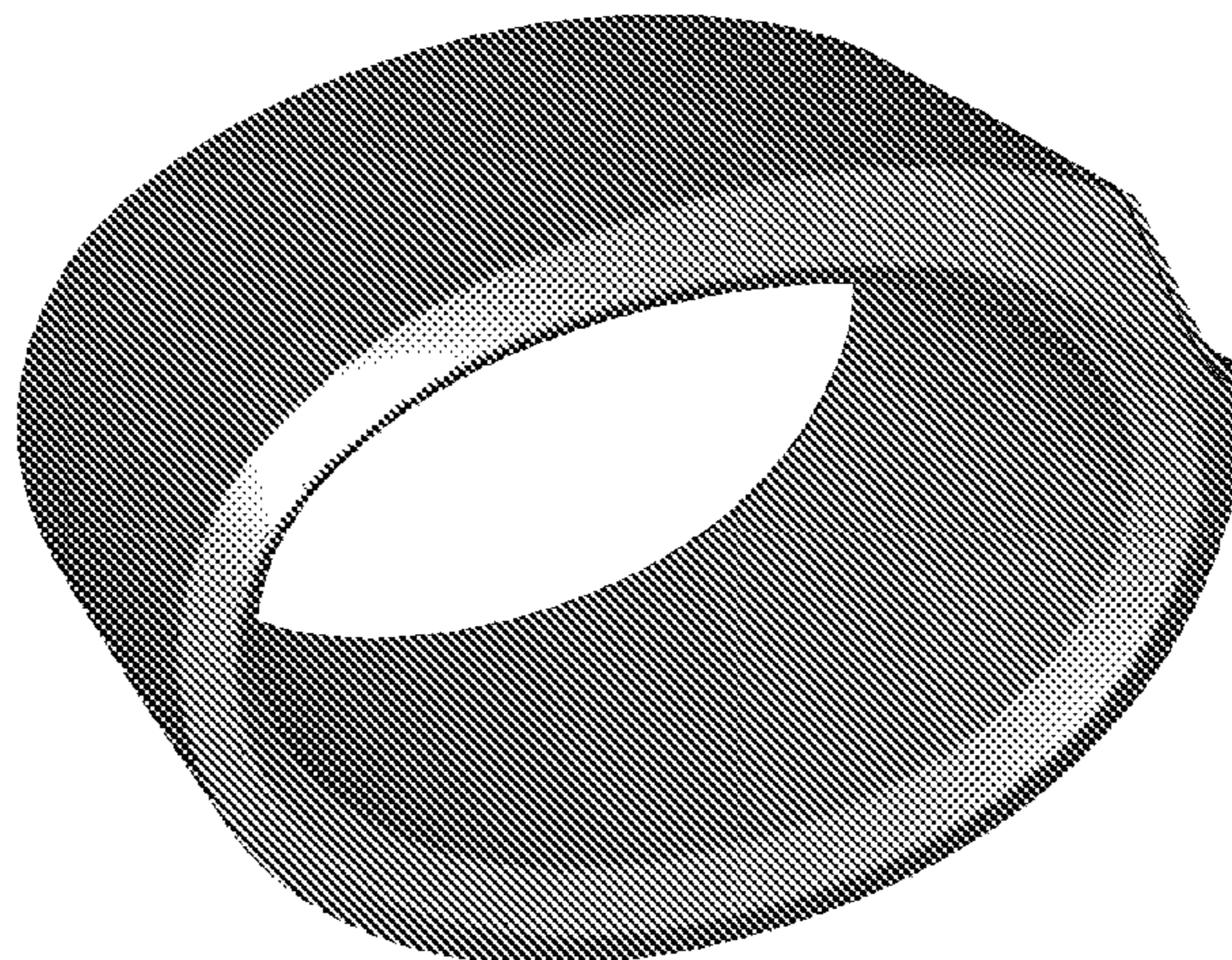


FIG. 4

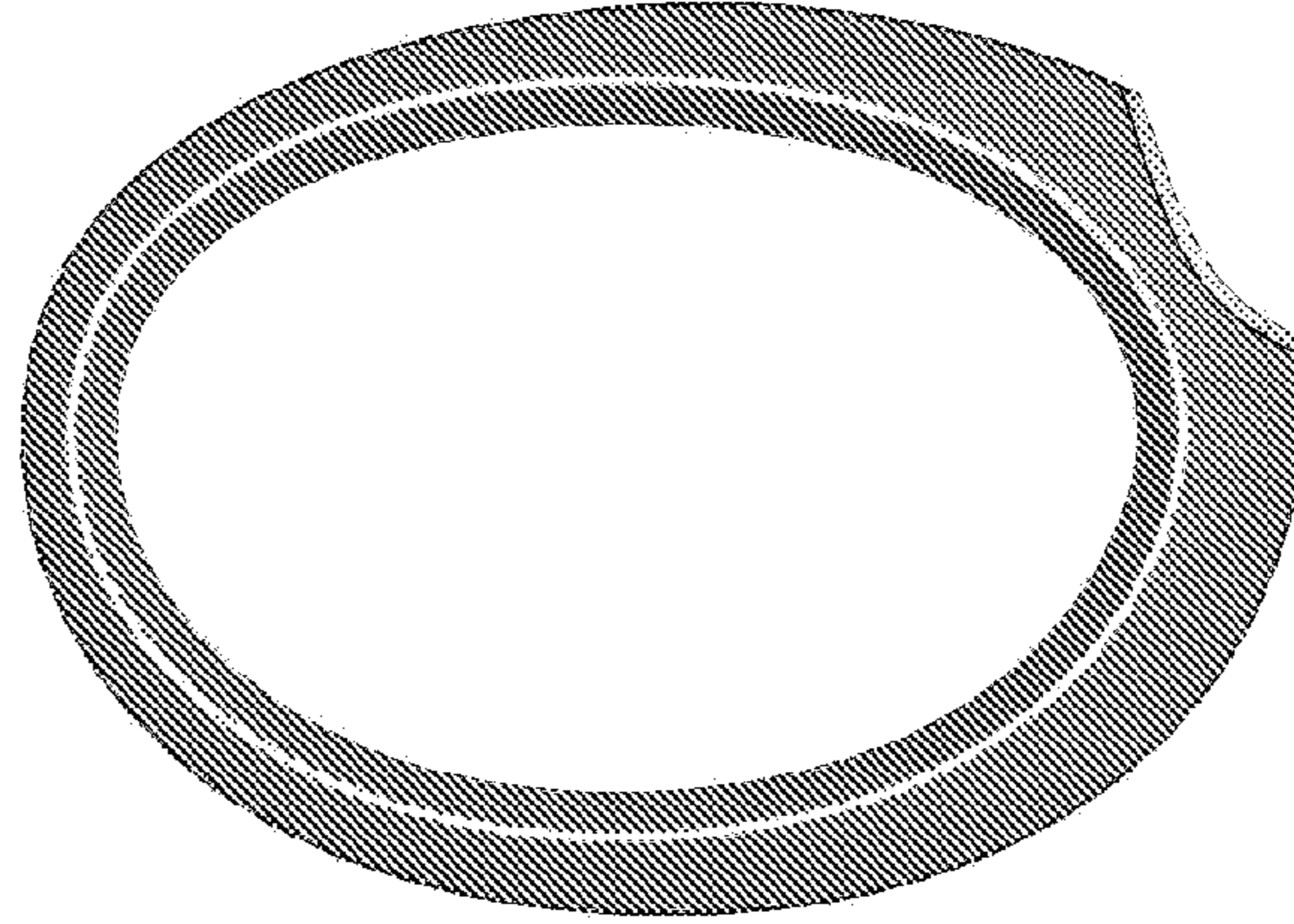


FIG. 5

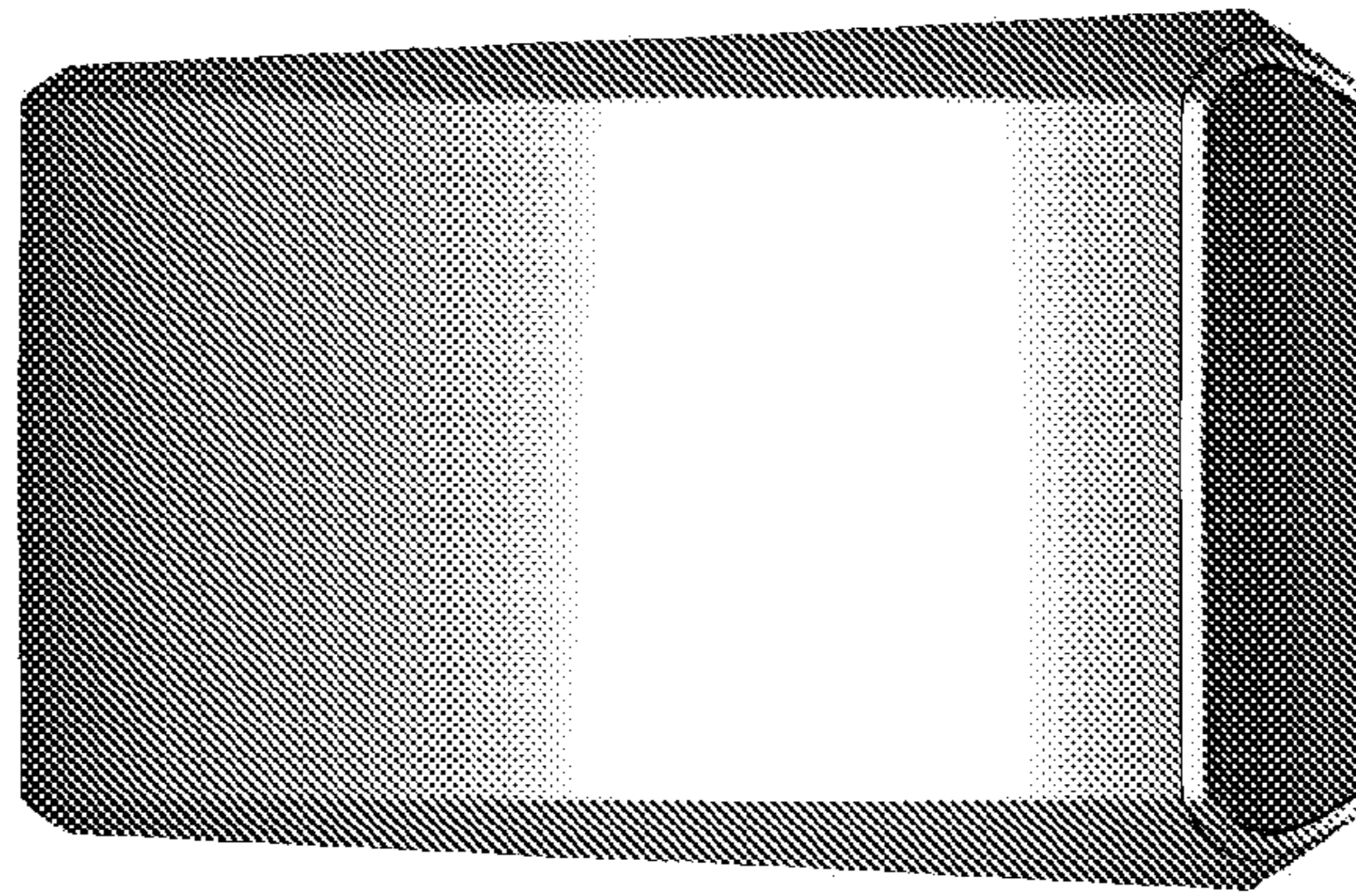


FIG. 6

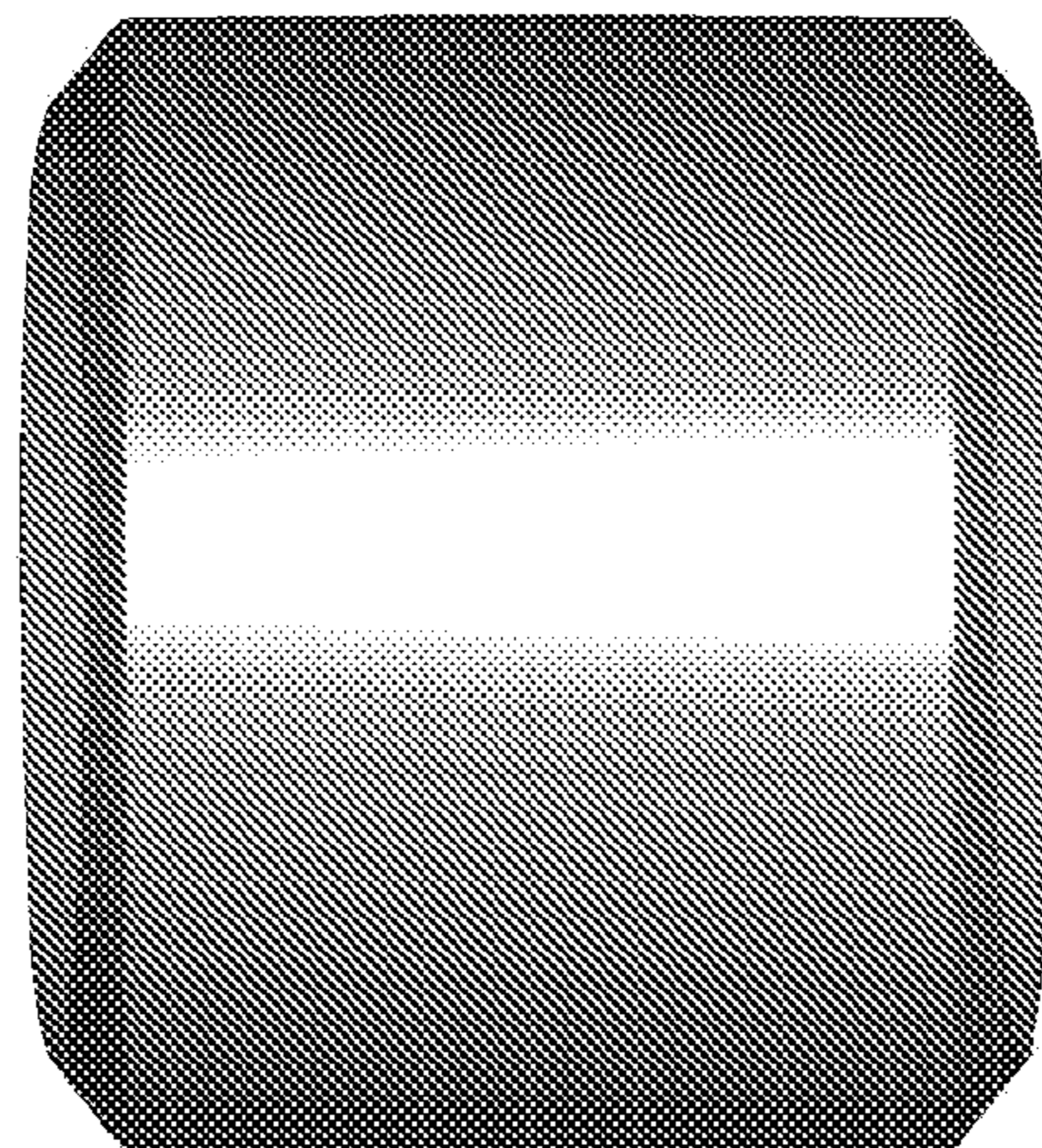


FIG.7

