



US00D584970S

(12) **United States Design Patent**
Eide et al.

(10) **Patent No.:** **US D584,970 S**
(45) **Date of Patent:** **** Jan. 20, 2009**

(54) **THERMOMETER**

(75) Inventors: **Annbjorg Eide**, Elmira, NY (US);
Deborah A. Green-Cotton, Chicago, IL
(US); **Gina Louise Reimann**, Brooklyn,
NY (US)

(73) Assignee: **WKI Holding Company, Inc.**,
Rosemont, IL (US)

(**) Term: **14 Years**

(21) Appl. No.: **29/306,940**

(22) Filed: **Apr. 18, 2008**

(51) **LOC (9) Cl.** **10-04**

(52) **U.S. Cl.** **D10/57**

(58) **Field of Classification Search** D10/57-58;
99/343, 419, 421 TP; 116/216; 374/1-208
See application file for complete search history.

(56) **References Cited**

U.S. PATENT DOCUMENTS

D423,956 S *	5/2000	Chen	D10/57
D448,684 S	10/2001	Sanoner		
D457,822 S *	5/2002	Rushton	D10/57
D478,822 S *	8/2003	Kaiser et al.	D10/57
D487,022 S *	2/2004	Mayer et al.	D10/57
D571,232 S *	6/2008	Lawler et al.	D10/57

D573,904 S *	7/2008	Lawler et al.	D10/57
7,401,409 B2 *	7/2008	Jenkins et al.	99/419
2007/0230538 A1 *	10/2007	Koon et al.	374/205

* cited by examiner

Primary Examiner—Antoine D Davis
(74) *Attorney, Agent, or Firm*—McDermott Will & Emery
LLP

(57) **CLAIM**

The ornamental design for a thermometer, as shown and described.

DESCRIPTION

FIG. 1 is a perspective view of a thermometer according to the new design;

FIG. 2 is a front view of the thermometer shown in FIG. 1;

FIG. 3 is a rear view of the thermometer shown in FIG. 1;

FIG. 4 is a left side view of the thermometer shown in FIG. 1;

FIG. 5 is a ride side view of the thermometer shown in FIG. 1;

FIG. 6 is a top view of the thermometer shown in FIG. 1; and,

FIG. 7 is a bottom view of the thermometer shown in FIG. 1.

The broken line showing of structural features is included for the purpose of illustrating non-claimed subject matter and forms no part of the claimed design.

1 Claim, 4 Drawing Sheets

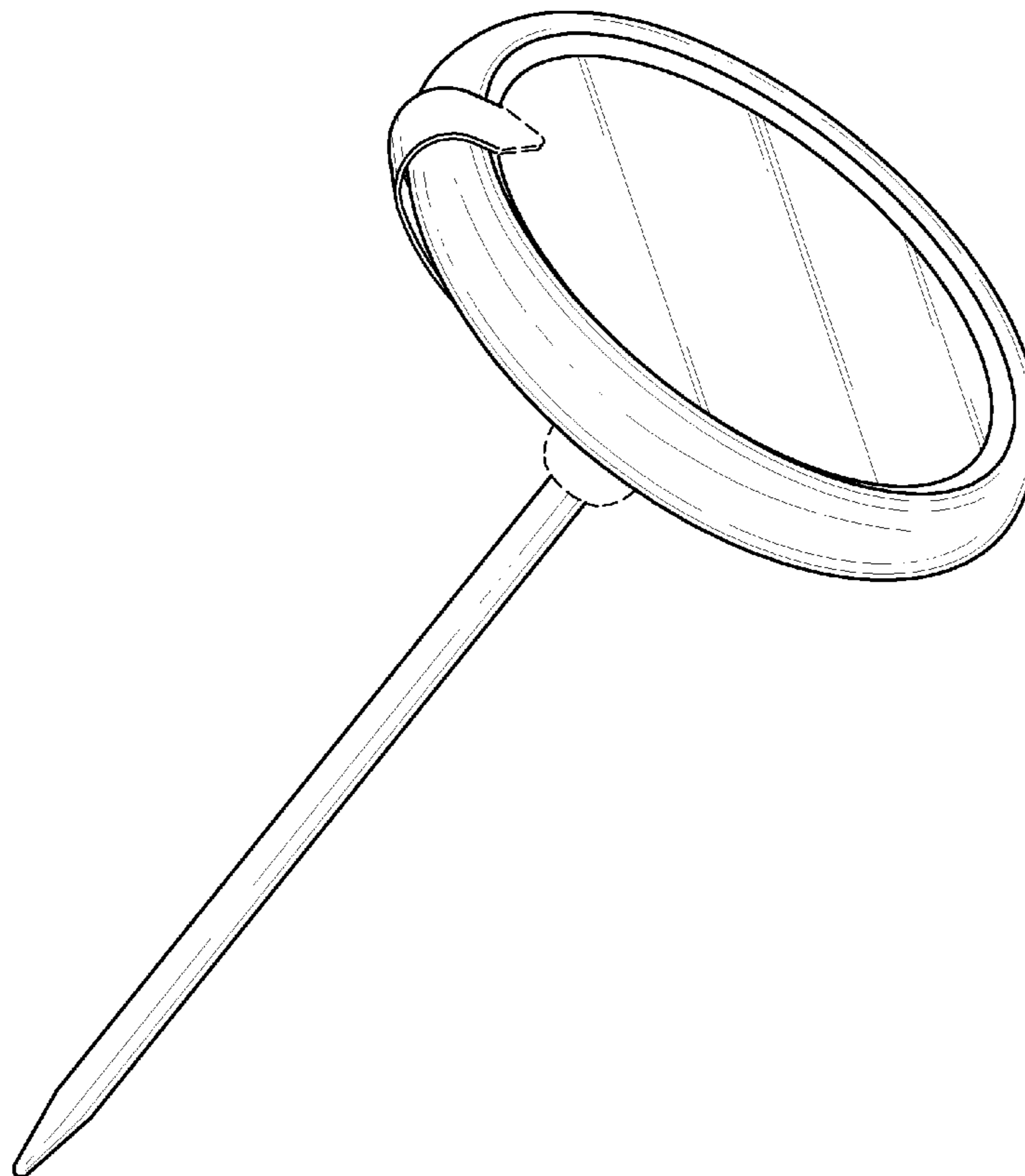
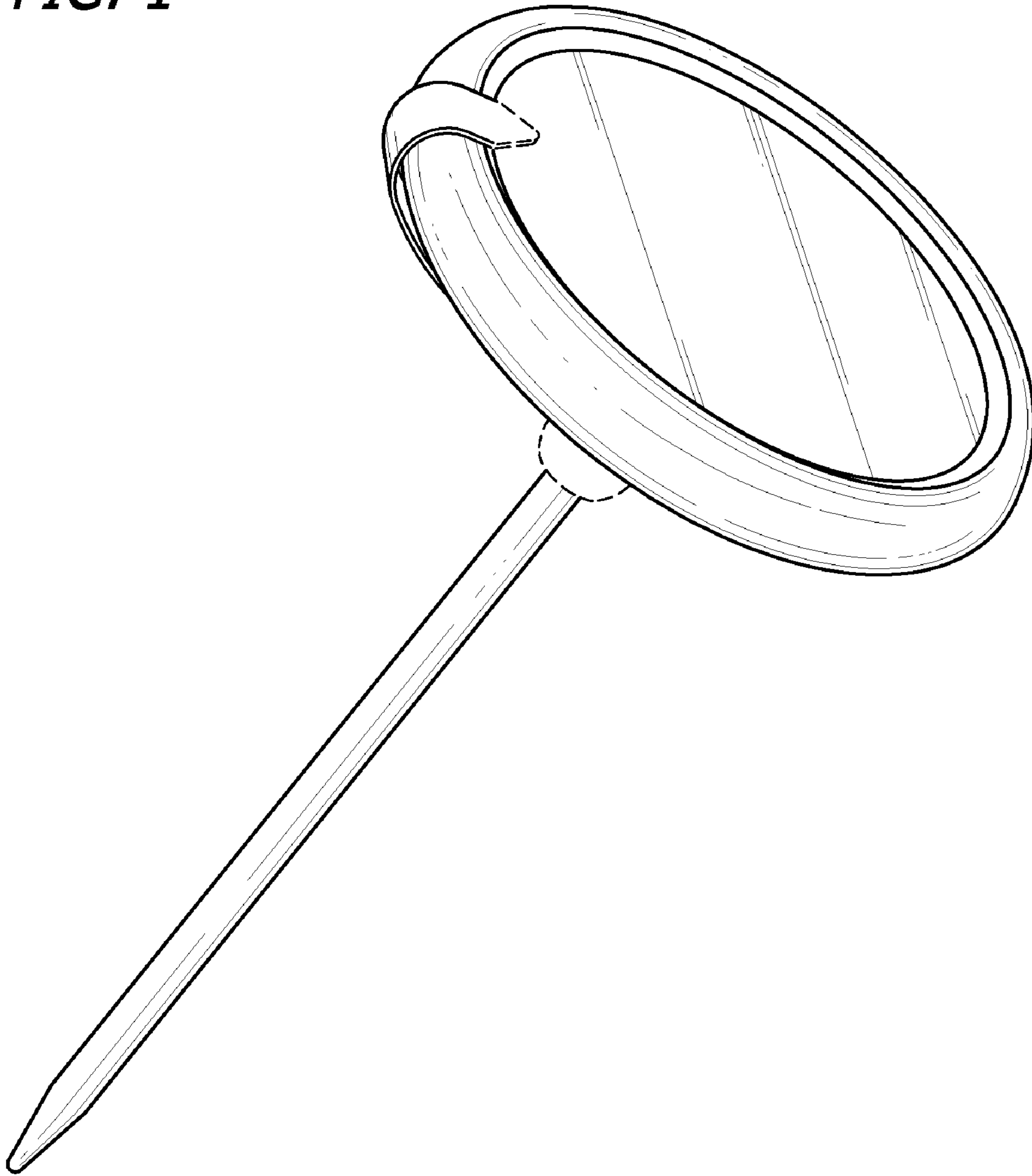


FIG. 1



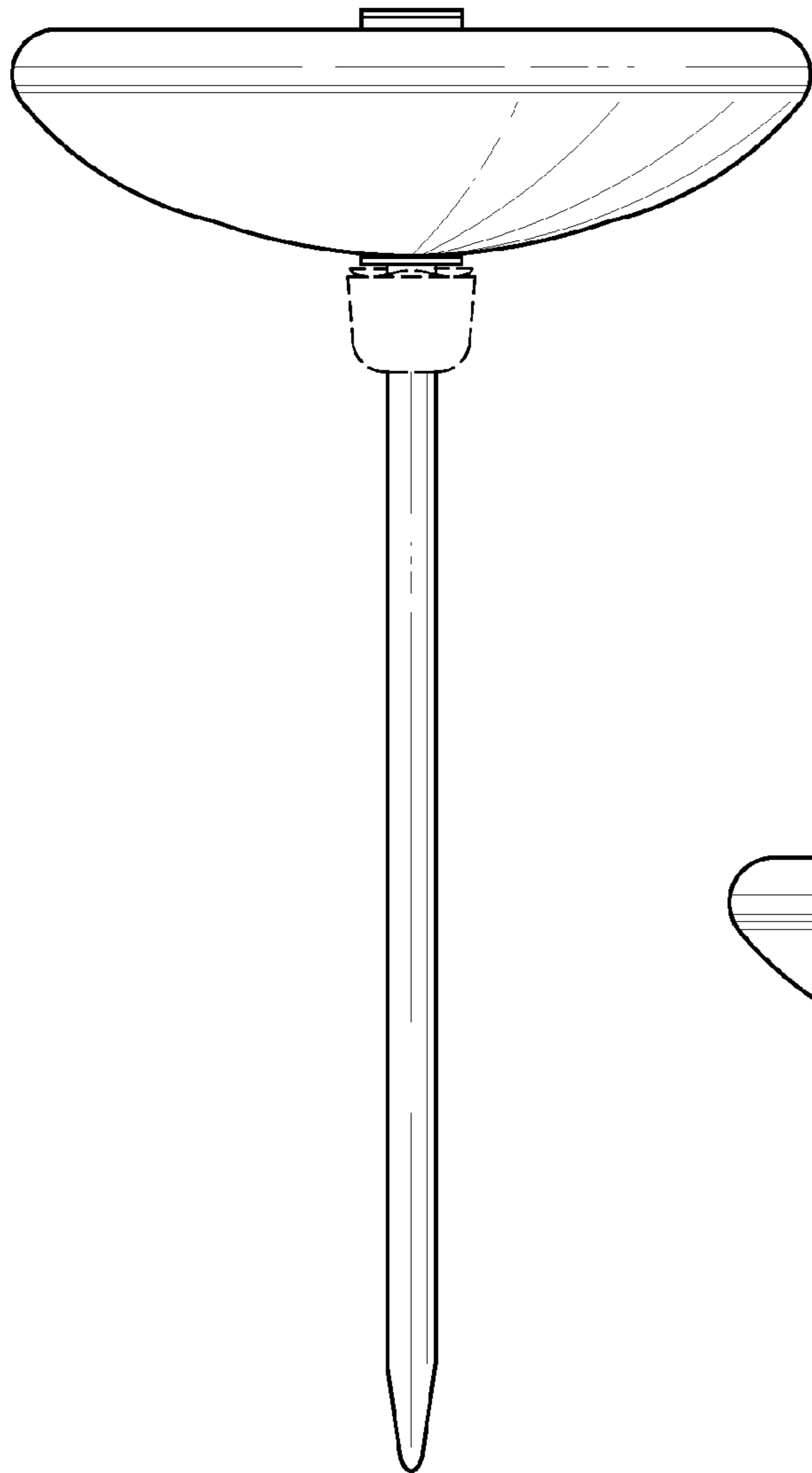


FIG. 2

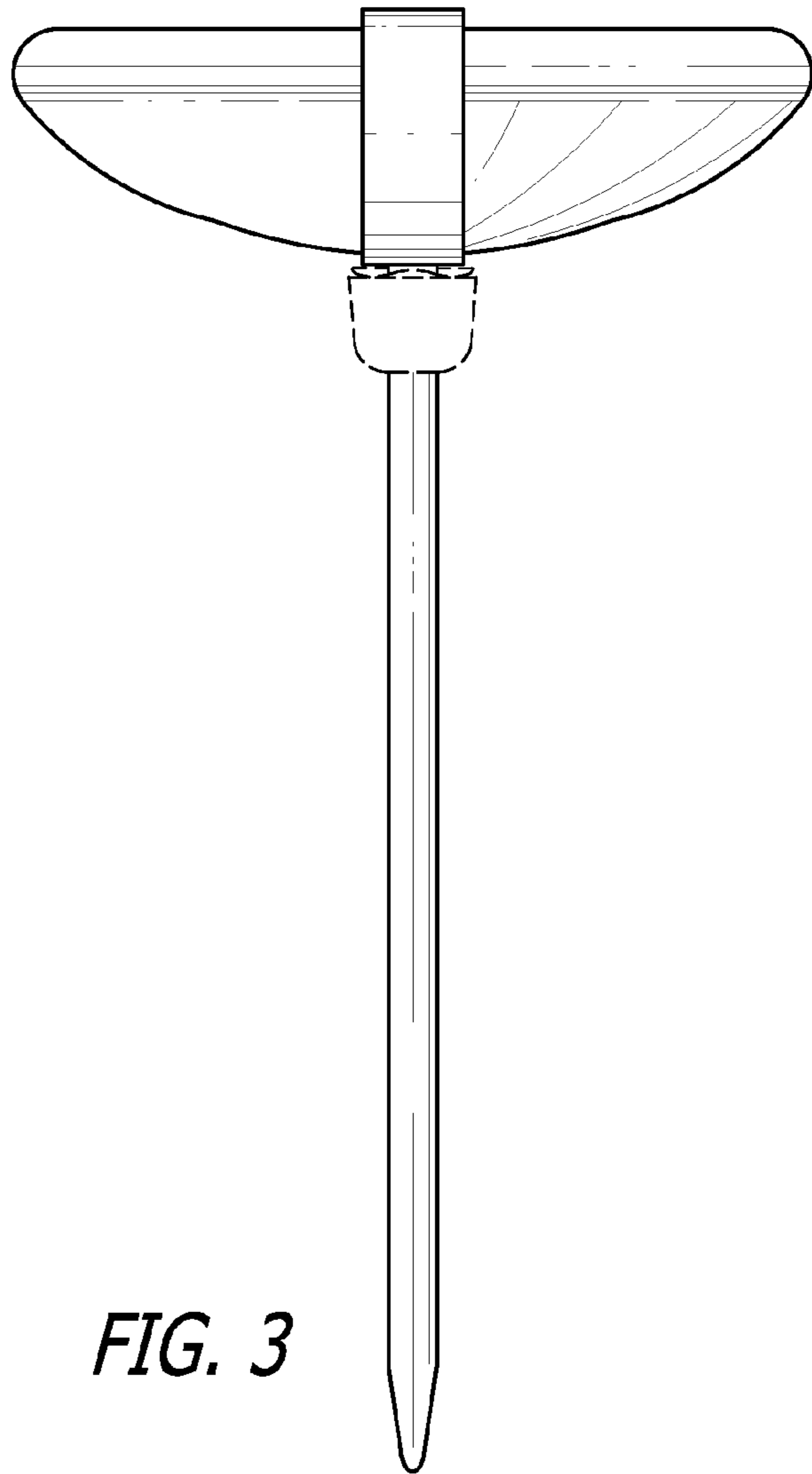


FIG. 3

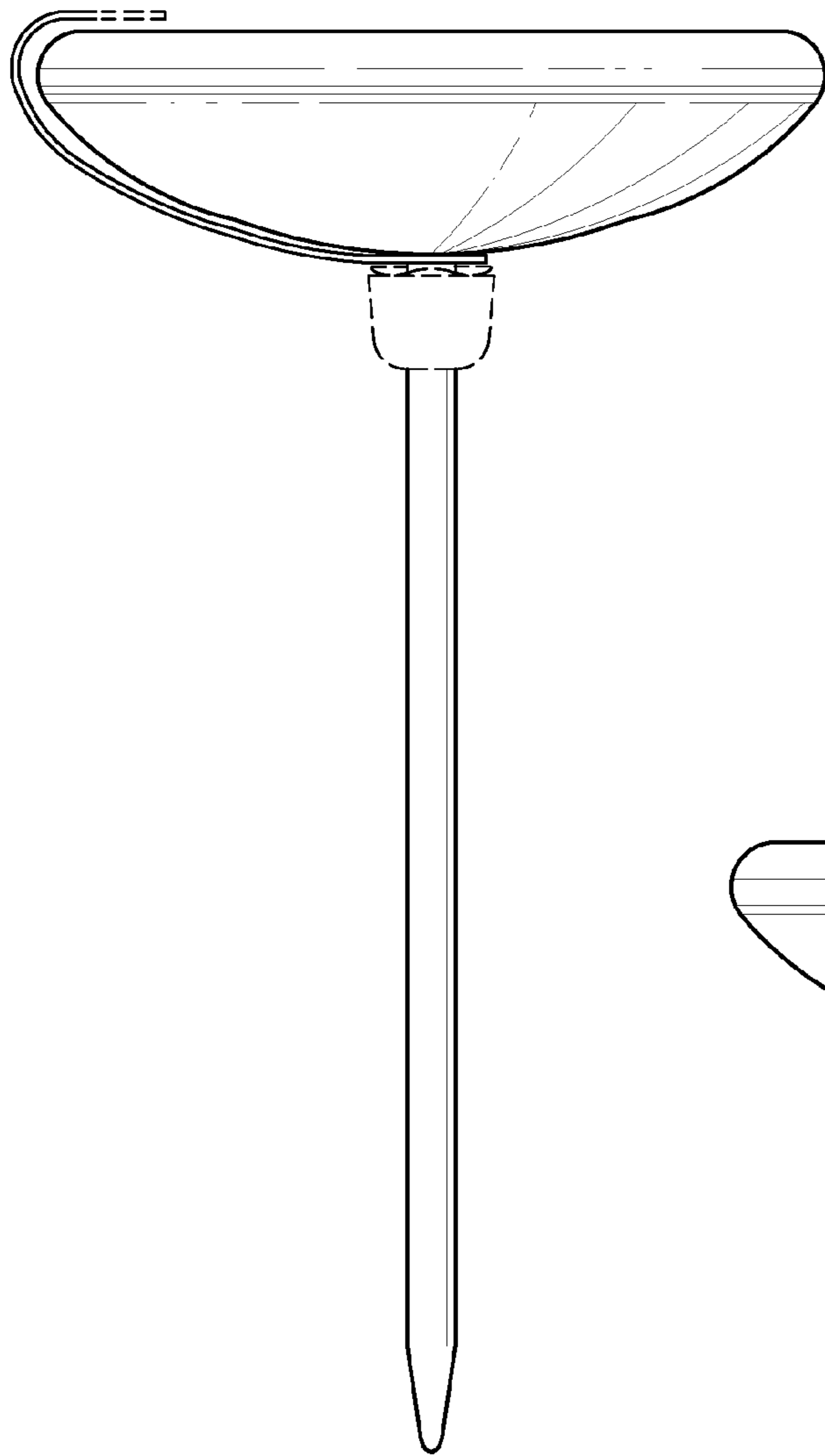


FIG. 4

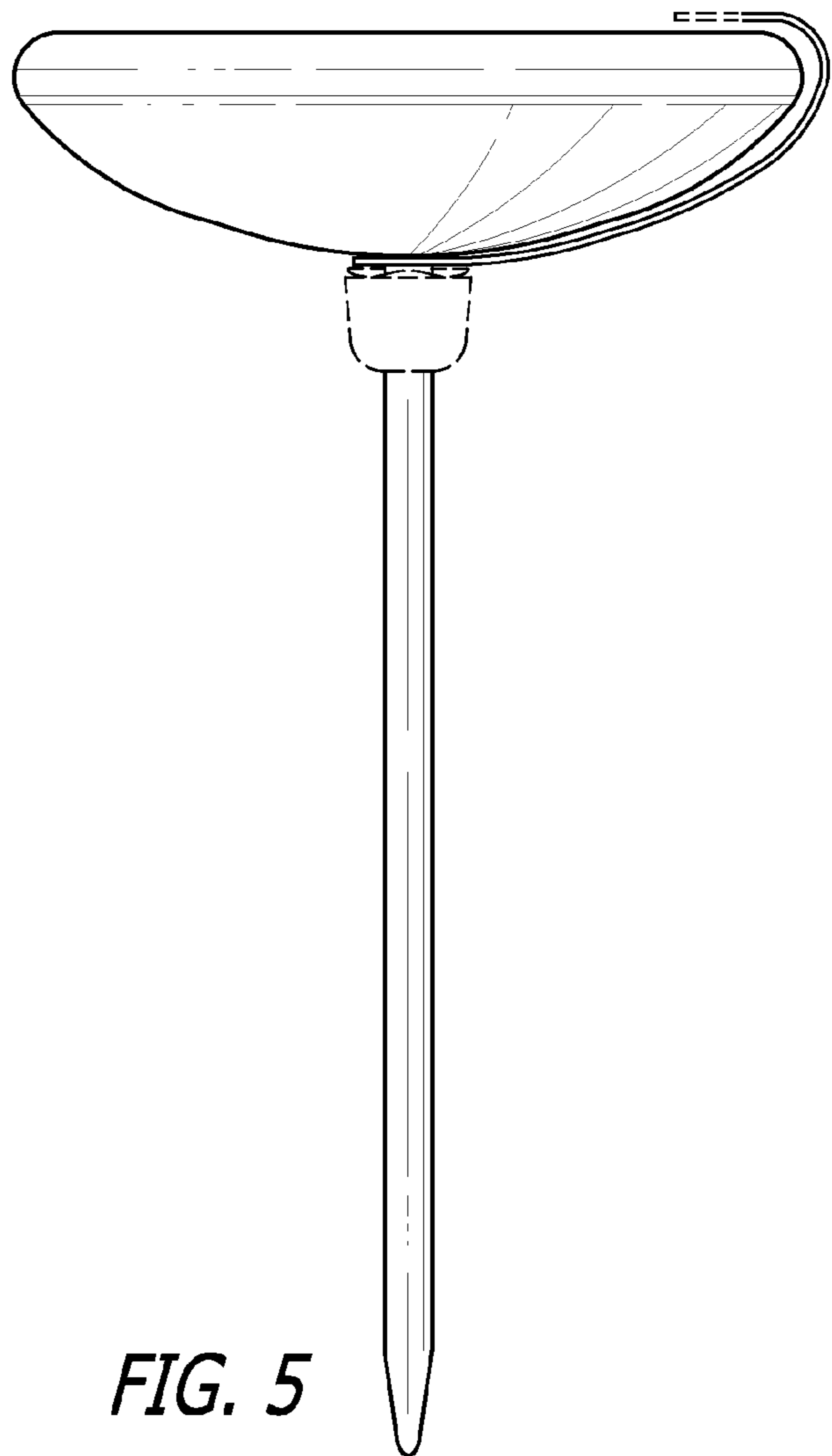


FIG. 5

FIG. 6

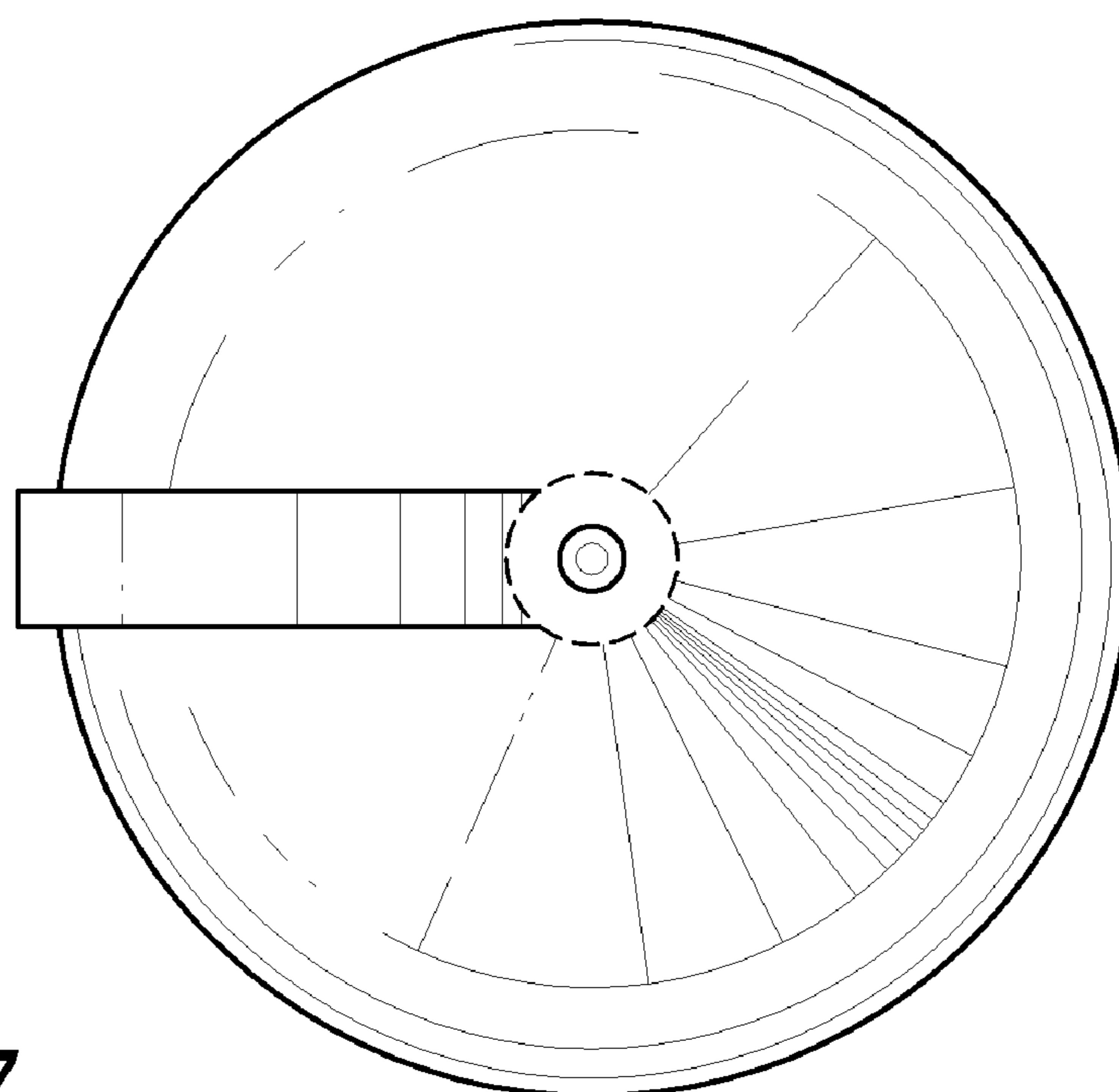
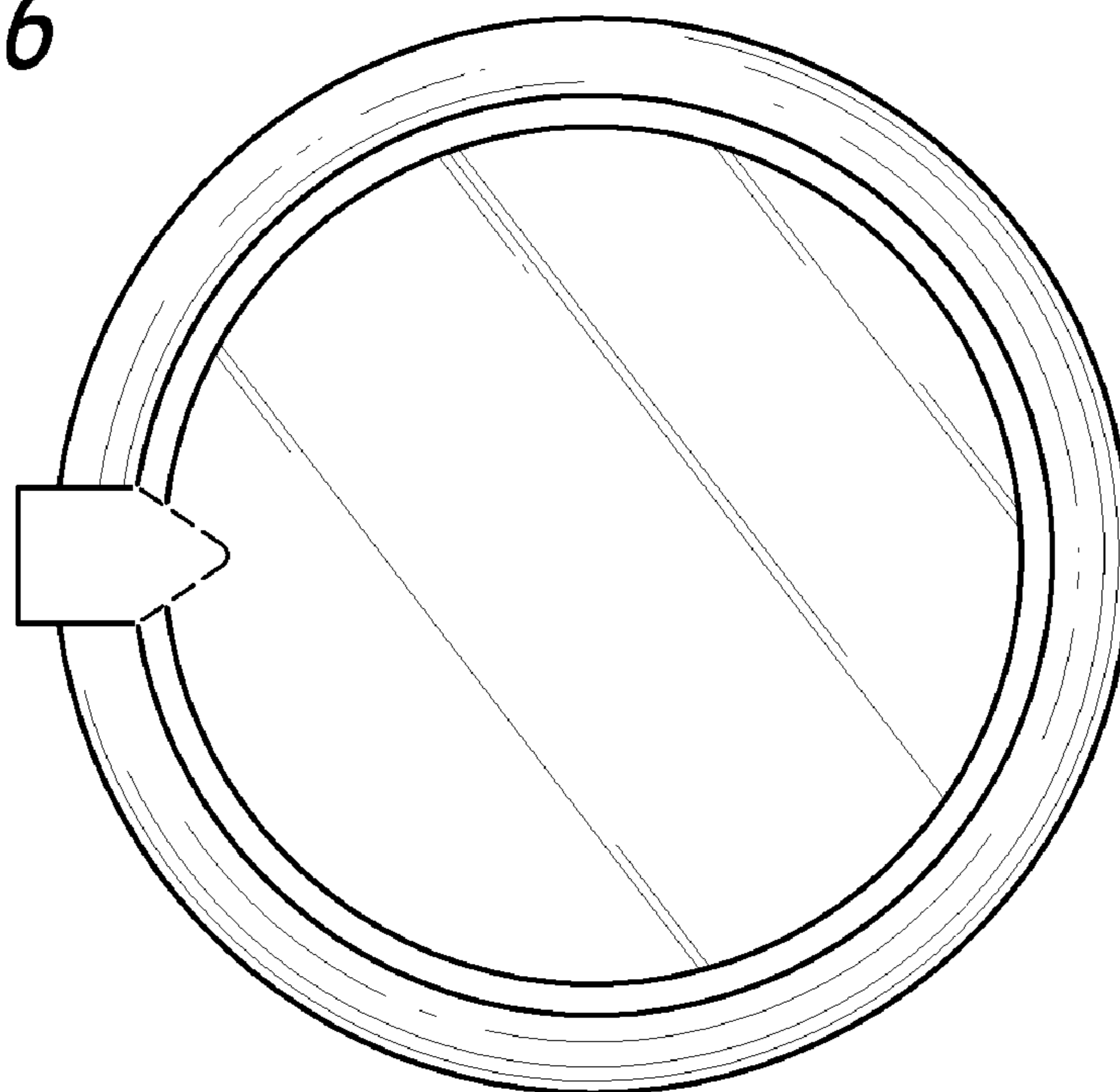


FIG. 7