



US00D584969S

(12) **United States Design Patent**  
**Nies et al.**

(10) **Patent No.:** **US D584,969 S**  
(45) **Date of Patent:** **\*\* Jan. 20, 2009**

(54) **MOISTURE SENSOR**

7,383,721 B2 \* 6/2008 Parsons et al. .... 73/46  
7,385,382 B2 \* 6/2008 Wilferd ..... 324/72.5

(75) Inventors: **Juergen Nies**, Winchester, VA (US); **Ha Van Duong**, Winchester, VA (US); **Vicky Ann Michael**, Winchester, VA (US)

\* cited by examiner

*Primary Examiner*—Antoine D Davis

(73) Assignee: **Melnor, Inc.**, Winchester, VA (US)

(74) *Attorney, Agent, or Firm*—Westerman, Hattori, Daniels & Adrian, LLP.

(\*\*) Term: **14 Years**

(57) **CLAIM**

(21) Appl. No.: **29/303,719**

The ornamental design for a moisture sensor, as shown and described.

(22) Filed: **Feb. 15, 2008**

**DESCRIPTION**

(51) **LOC (9) Cl.** ..... **10-04**

(52) **U.S. Cl.** ..... **D10/56**

(58) **Field of Classification Search** ..... D10/52,  
D10/53, 56; 73/335.02–334.04, 73–74, 29.05;  
324/640, 664, 658, 686, 690, 694, 724; 340/604;  
702/50

FIG. 1 is a front view of a moisture sensor;  
FIG. 2 is a back view of the moisture sensor;  
FIG. 3 is a top view of the moisture sensor;  
FIG. 4 is a bottom view of the moisture sensor;  
FIG. 5 is a right side view of the moisture sensor;  
FIG. 6 is a left side view of the moisture sensor;  
FIG. 7 is a front perspective view of the moisture sensor; and,  
FIG. 8 is a rear perspective view of the moisture sensor.

See application file for complete search history.

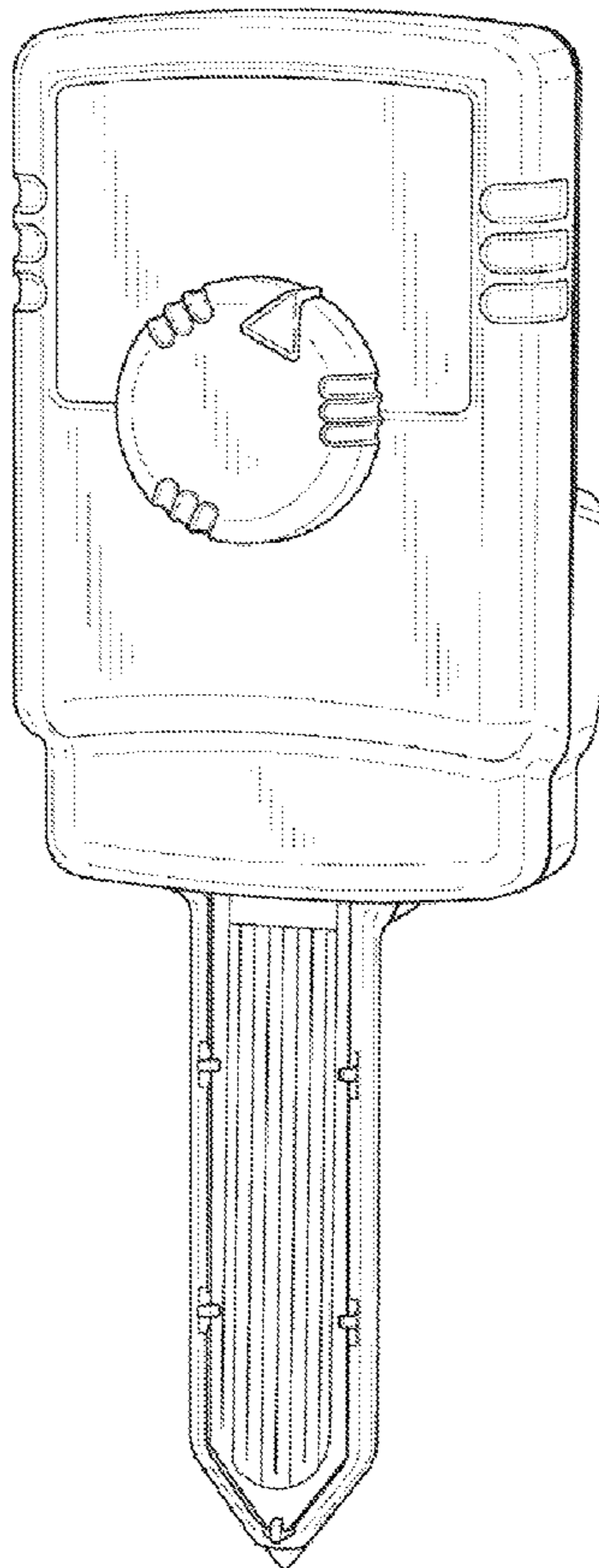
The broken line showing of structural features is included for the purpose of illustrating non-claimed subject matter and forms no part of the claimed design.

(56) **References Cited**

**U.S. PATENT DOCUMENTS**

- 5,661,349 A \* 8/1997 Luck ..... 307/151
- D491,822 S \* 6/2004 Holbein ..... D10/56
- D511,697 S \* 11/2005 Wang ..... D10/56
- D526,914 S \* 8/2006 Holbein ..... D10/56
- D527,290 S \* 8/2006 Paul et al. .... D10/56

**1 Claim, 7 Drawing Sheets**



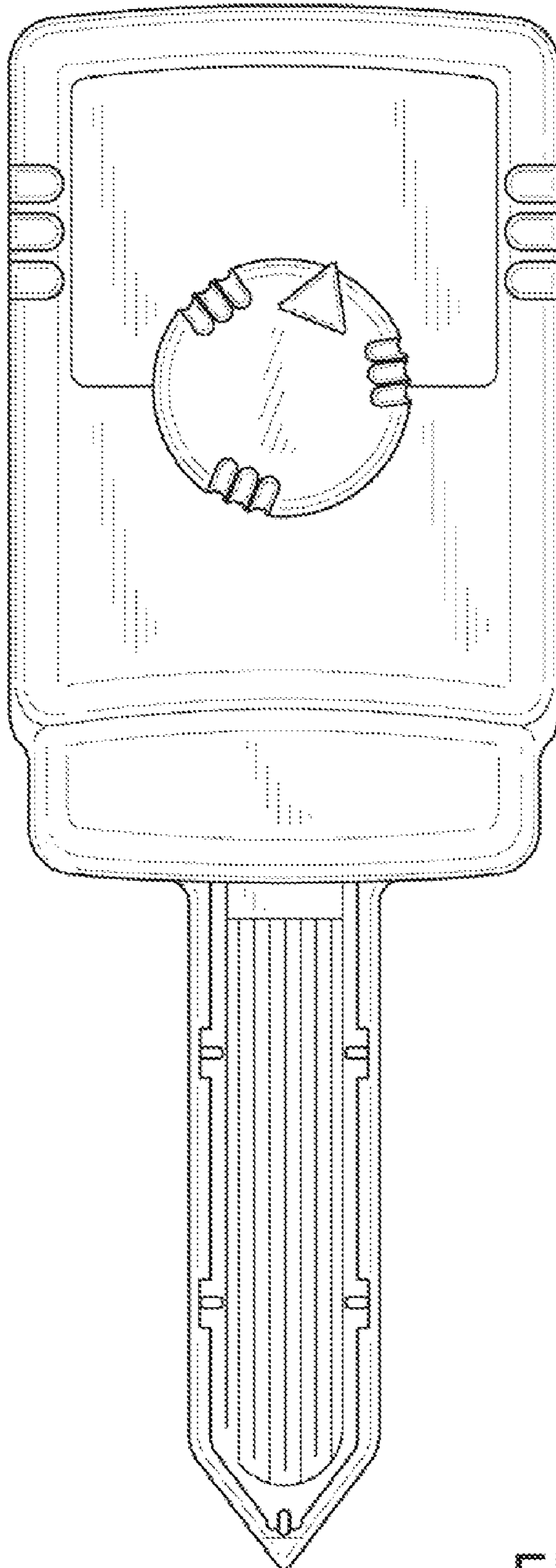


FIG. 1

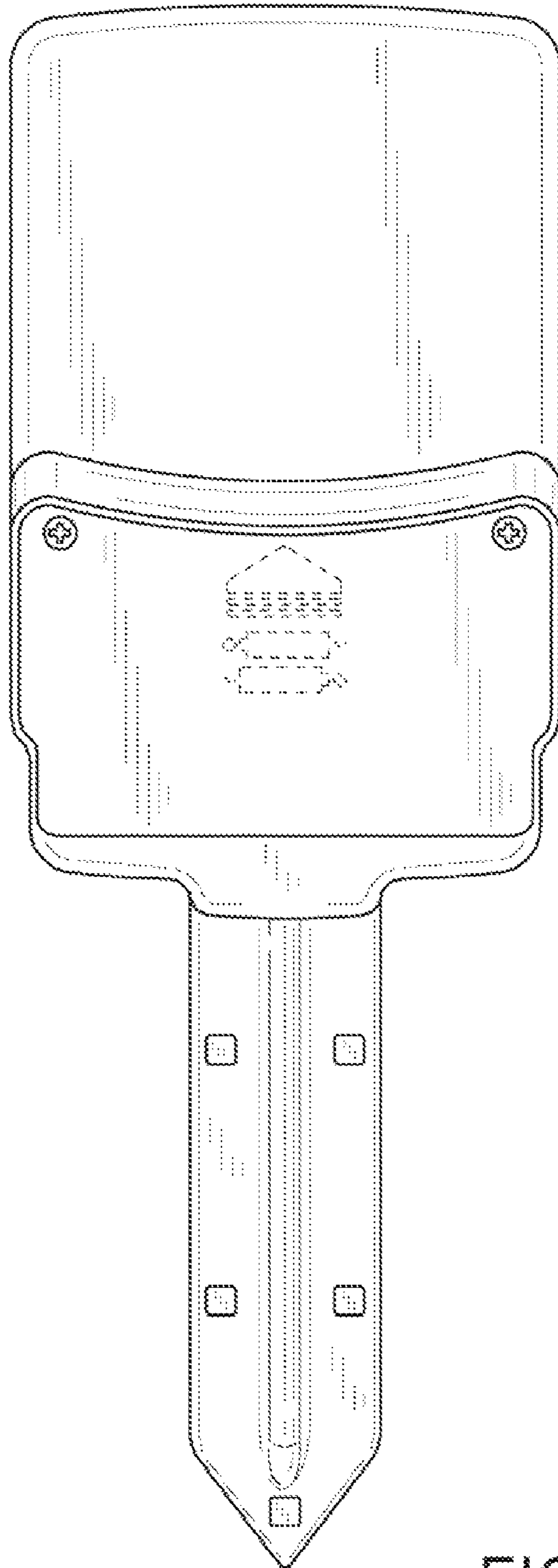


FIG. 2

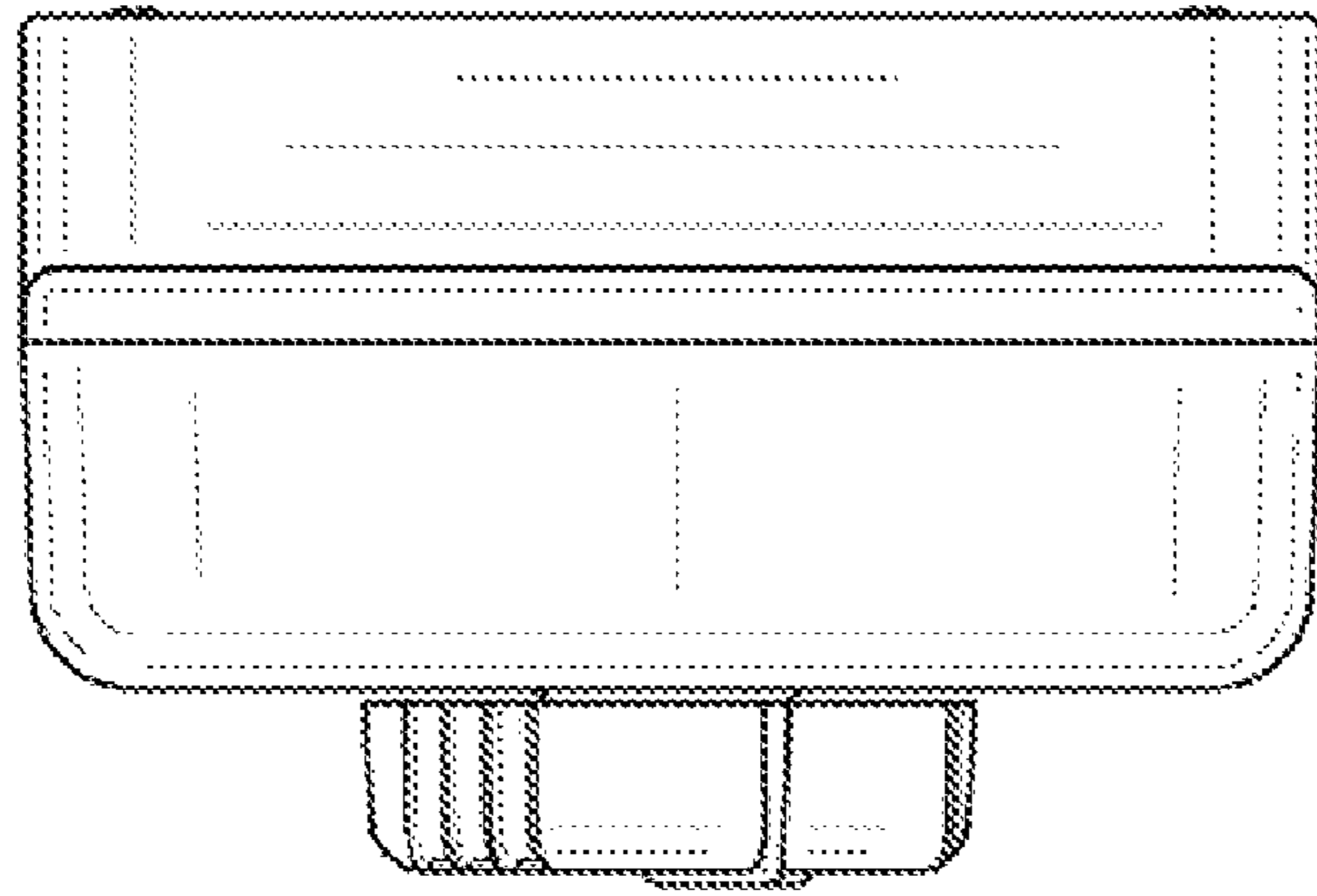


FIG. 3

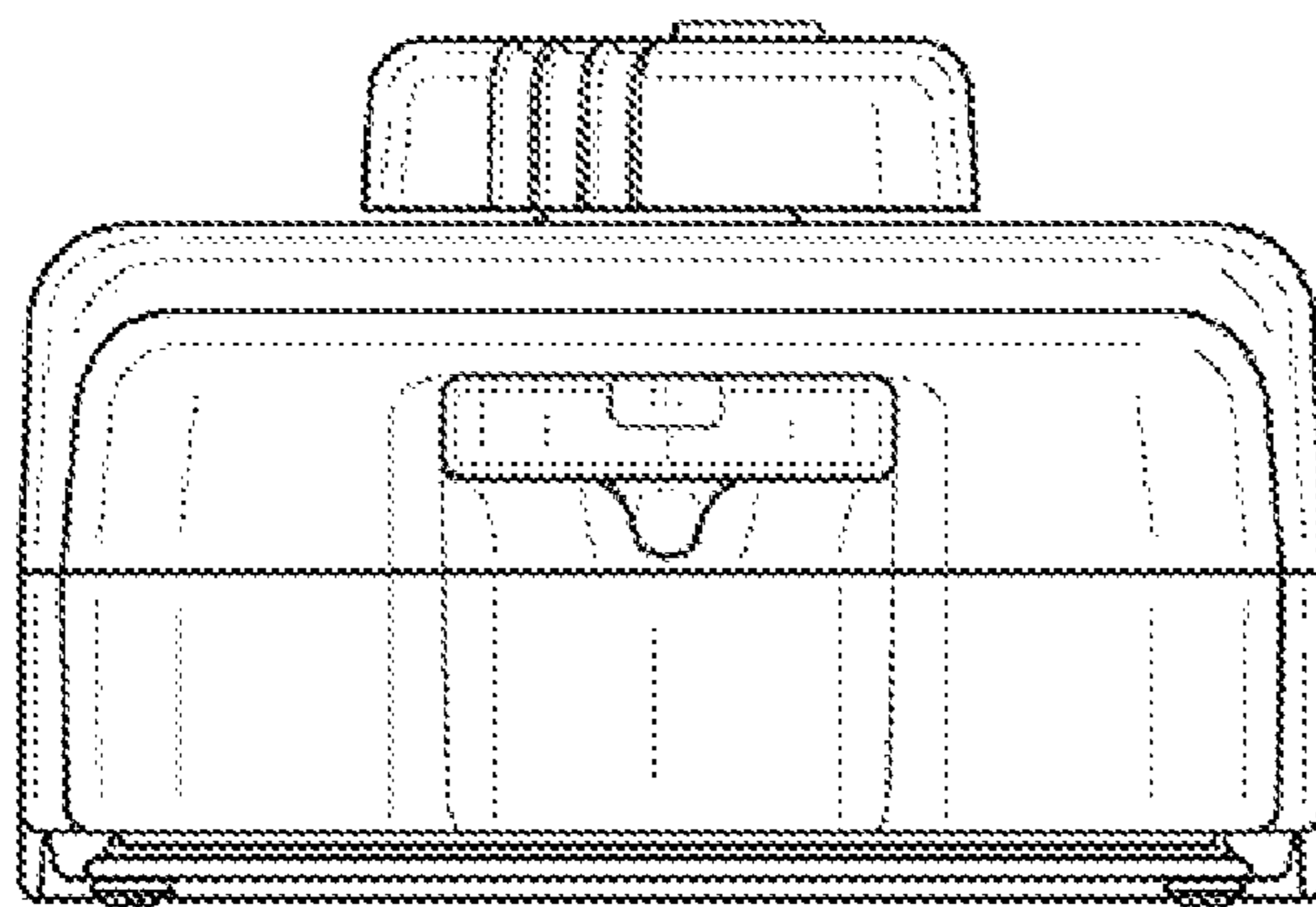


FIG. 4

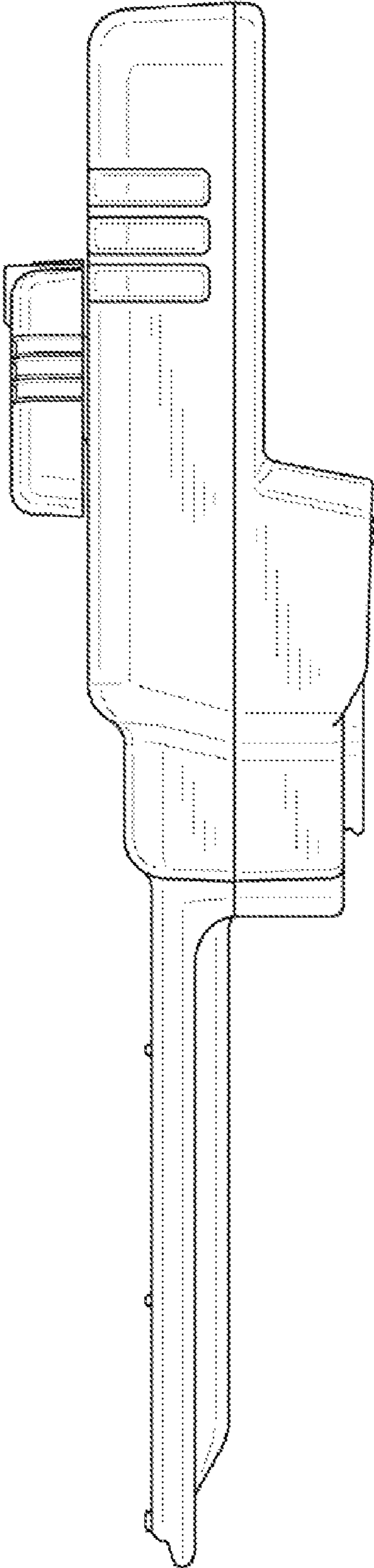


FIG. 5

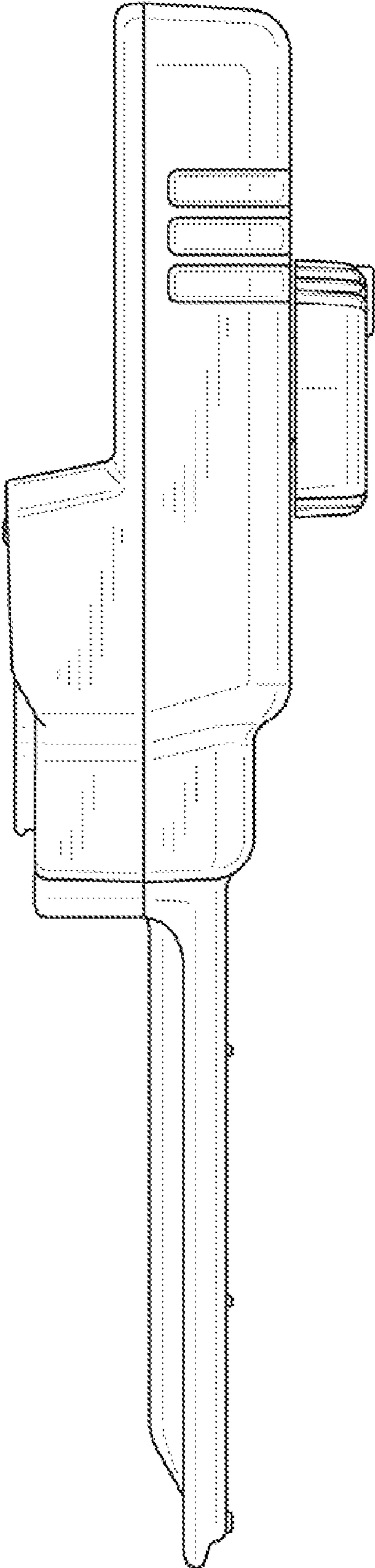


FIG.6

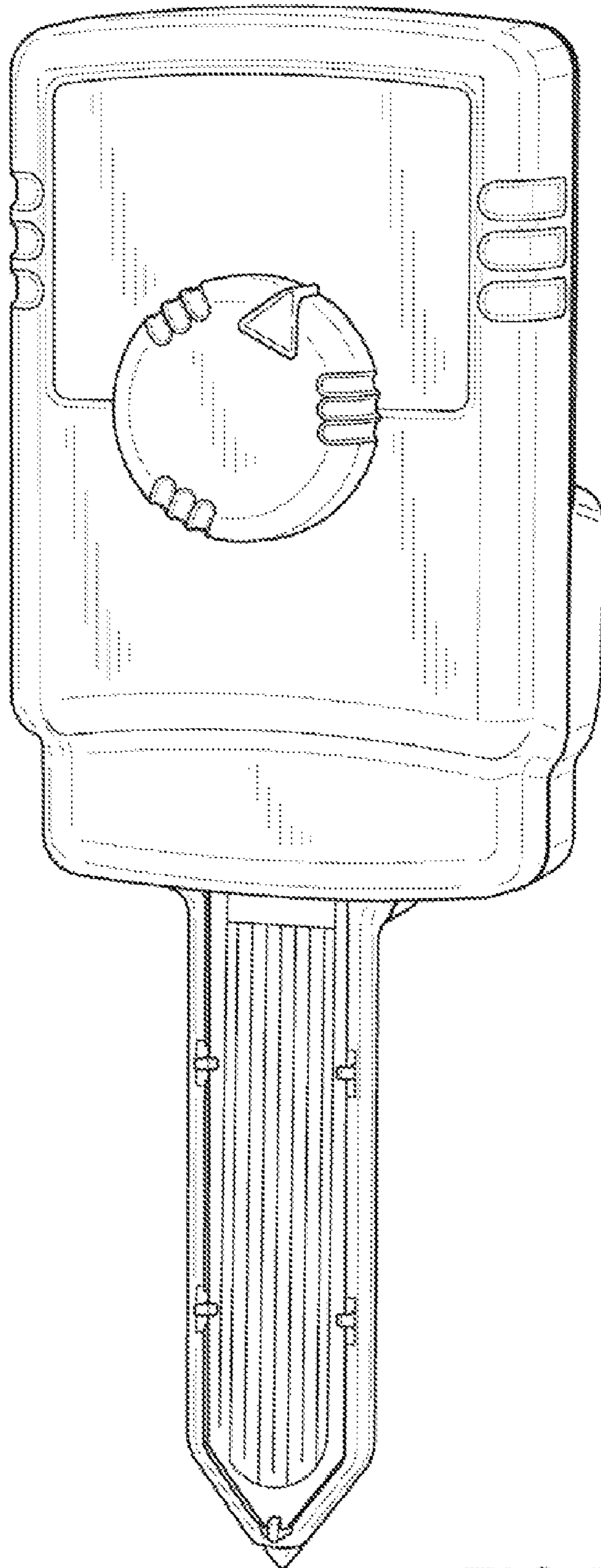


FIG. 7

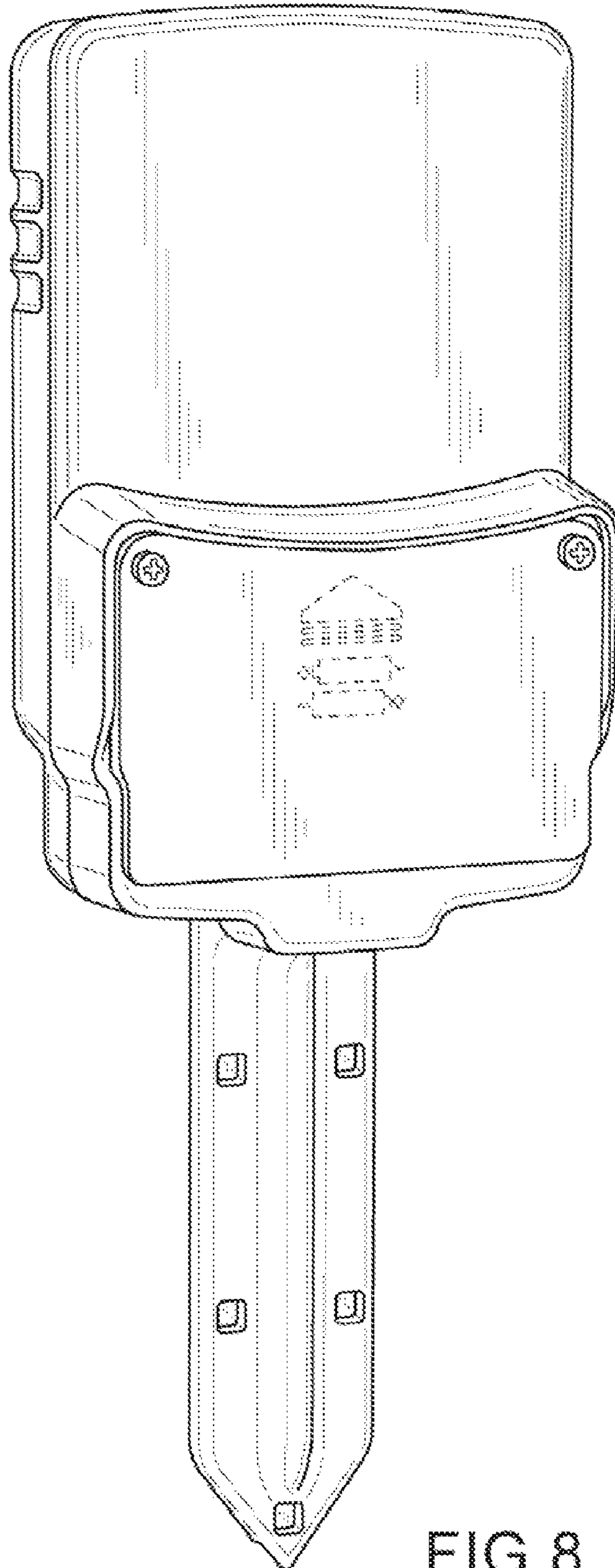


FIG. 8