



US00D584950S

(12) **United States Design Patent**  
**Courtaigne Delalande**

(10) **Patent No.:** **US D584,950 S**  
(45) **Date of Patent:** **\*\* Jan. 20, 2009**

(54) **FLASK FOR COSMETIC**

(75) Inventor: **Hélène Courtaigne Delalande**,  
Boulogne (FR)

(73) Assignee: **Guerlain Societe Anonyme**, Paris (FR)

(\*\*) Term: **14 Years**

(21) Appl. No.: **29/283,245**

(22) Filed: **Aug. 8, 2007**

(30) **Foreign Application Priority Data**

Feb. 8, 2007 (EM) ..... 000667290-0002

(51) **LOC (9) Cl.** ..... **09-01**

(52) **U.S. Cl.** ..... **D9/529; D9/560; D9/574**

(58) **Field of Classification Search** ..... D9/682,  
D9/686-689, 504, 529, 559-561, 571-575,  
D9/414, 418, 426, 430-432, 435, 445; D28/4,  
D28/7, 76, 91, 91.1; D26/9-11, 20-23; 220/4.27,  
220/23.83

See application file for complete search history.

(56) **References Cited**

**U.S. PATENT DOCUMENTS**

- D49,587 S \* 8/1916 Vivadou ..... D9/504
- D69,486 S \* 2/1926 Braun ..... D9/545
- D76,043 S \* 8/1928 Pfeiffer ..... D9/546
- D79,717 S \* 10/1929 Hoffman ..... D9/503
- D85,363 S \* 10/1931 Betts ..... D9/529
- D98,092 S \* 1/1936 Sherman ..... D9/504
- D98,951 S \* 3/1936 Lewis ..... D9/777
- D206,408 S \* 12/1966 Platte ..... D9/560
- D229,573 S \* 12/1973 Travela ..... D9/504 X
- 4,248,901 A \* 2/1981 Austin ..... 220/4.27 X
- D304,298 S \* 10/1989 Bannister ..... D9/559 X

- D306,400 S \* 3/1990 Beier-Rosetti ..... D9/546
- D306,694 S \* 3/1990 Beier-Rosetti ..... D9/529
- D320,933 S \* 10/1991 Courtiere et al. .... D9/529
- D355,602 S \* 2/1995 Buettner et al. .... D9/520 X
- D368,430 S \* 4/1996 Herzog ..... D9/651
- D415,036 S \* 10/1999 Mansau ..... D9/560 X
- 6,039,563 A \* 3/2000 Hardy ..... 220/23.83 X
- D477,227 S \* 7/2003 Goswell ..... D9/529 X
- D531,912 S \* 11/2006 Antretter ..... D9/559 X

\* cited by examiner

*Primary Examiner*—Carol Rademaker

(74) *Attorney, Agent, or Firm*—Stites & Harbison PLLC;  
Douglas E. Jackson

(57) **CLAIM**

The ornamental design for a flask for cosmetic, as shown and described.

**DESCRIPTION**

FIG. 1 is front view of a flask for cosmetic according to the present invention, the back view being identical thereto.

FIG. 2 is an elevation view of the flask for cosmetic depicted in FIG. 1 rotated by 45° about a vertical axis.

FIG. 3 is a bottom view of the flask for cosmetic depicted in FIG. 1.

FIG. 4 is a top view of the flask for cosmetic depicted in FIG. 1.

FIG. 5 is a right side view of the flask for cosmetic depicted in FIG. 1, the left side view being identical thereto; and,

FIG. 6 is a perspective front, top and right side view of the flask for cosmetic depicted in FIG. 1.

The oblique line shading shown on portions of the FIGS. 1-6 drawing views represents transparency.

**1 Claim, 2 Drawing Sheets**

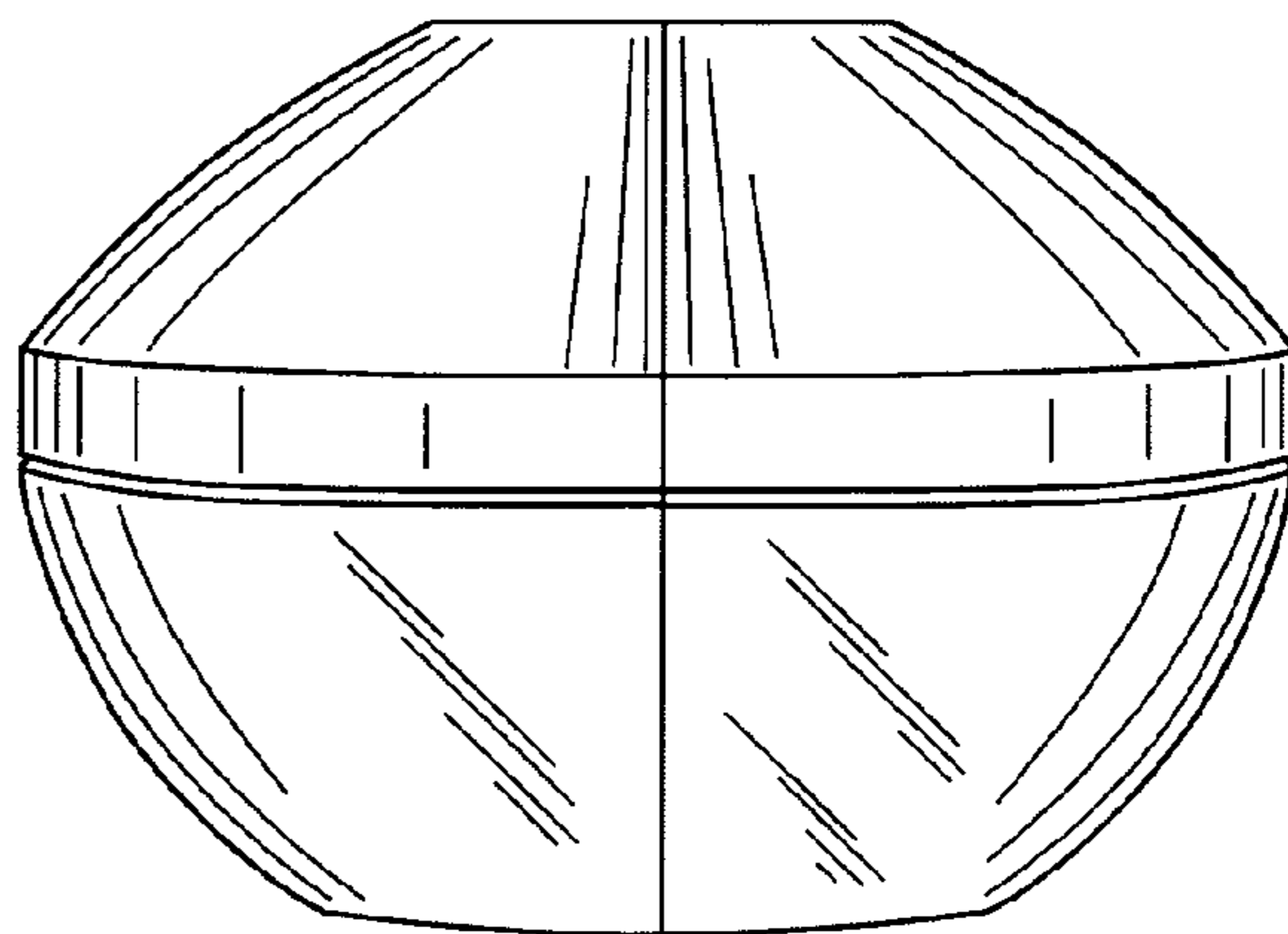
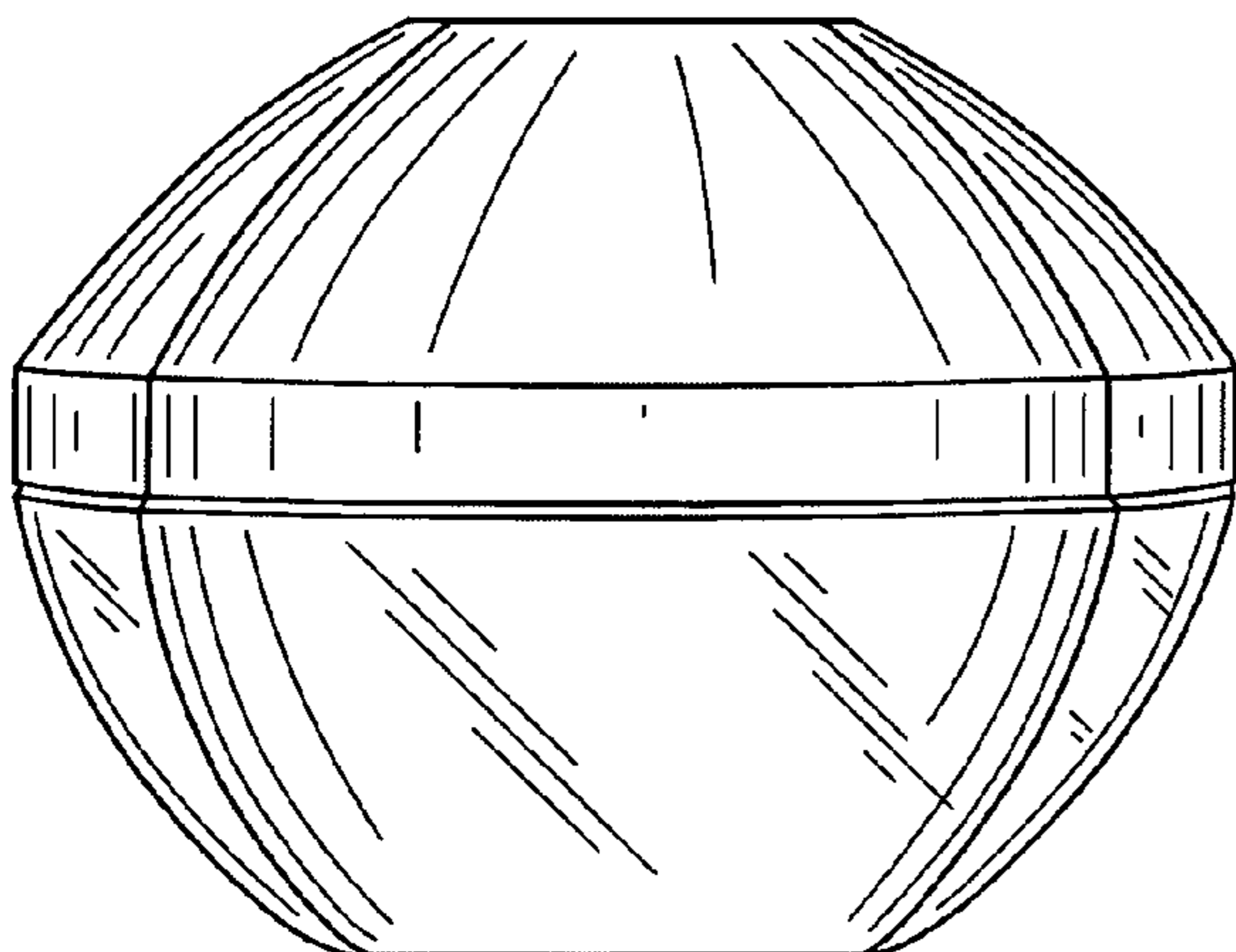


FIG. 1

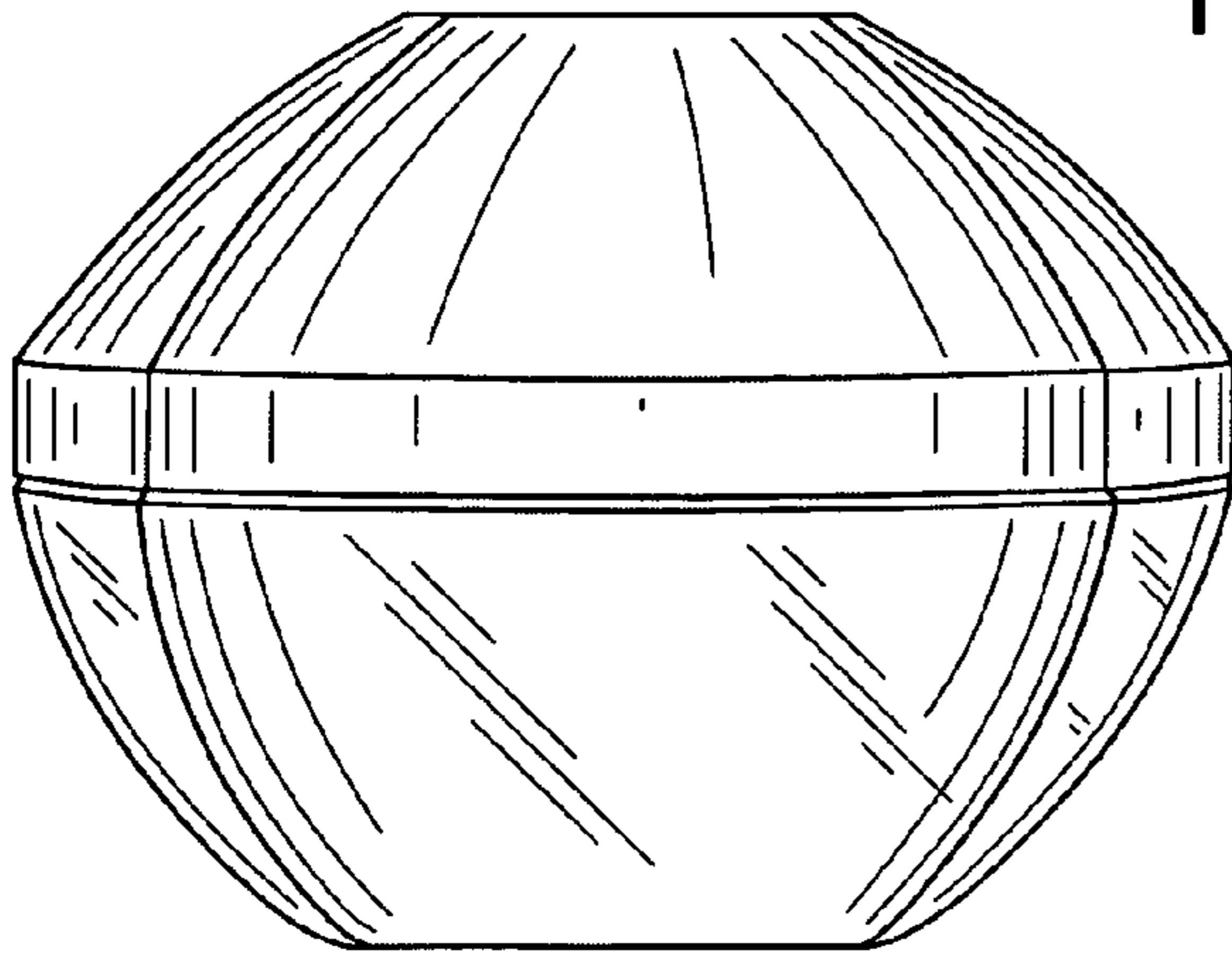


FIG. 3

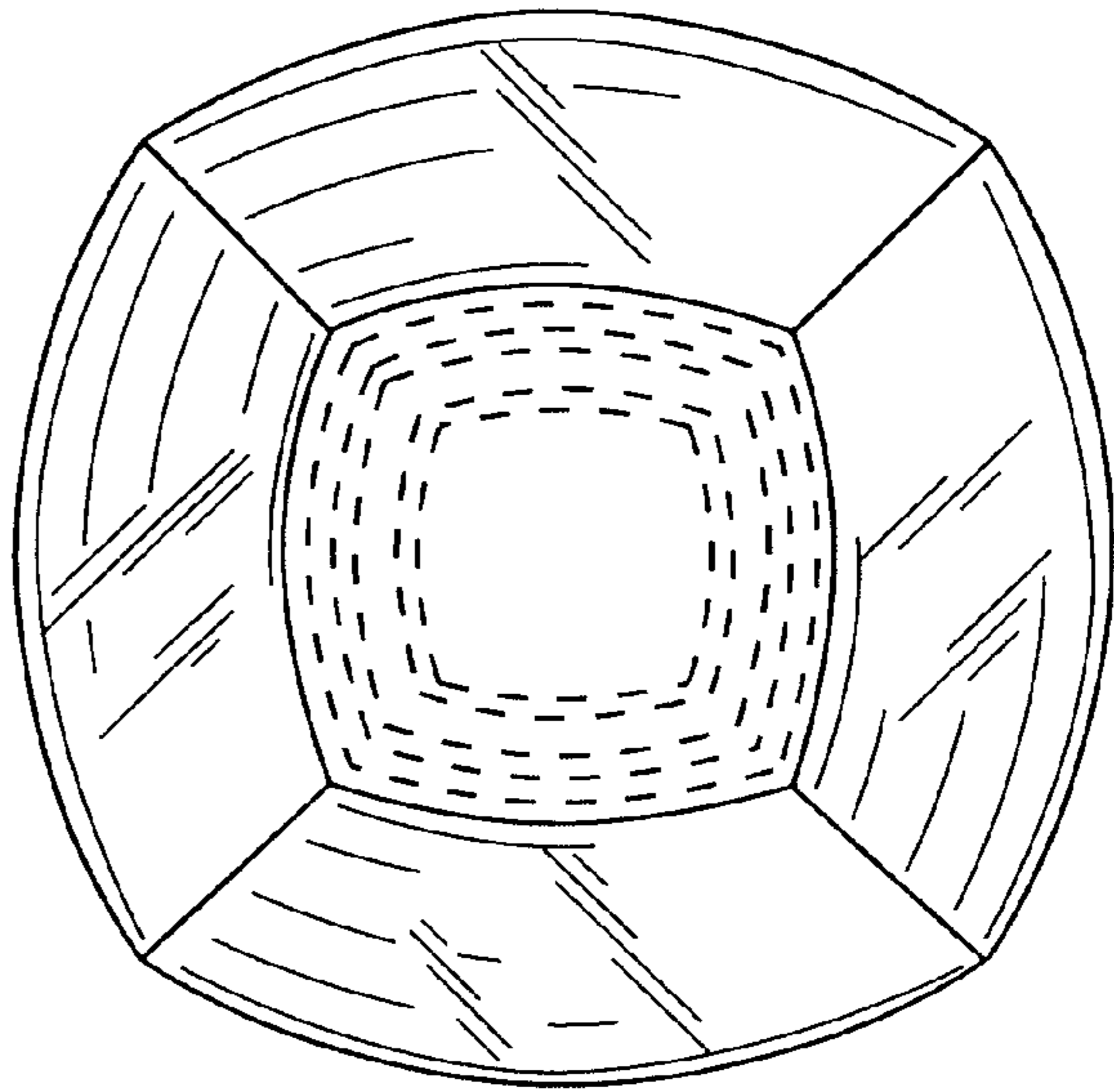


FIG. 2

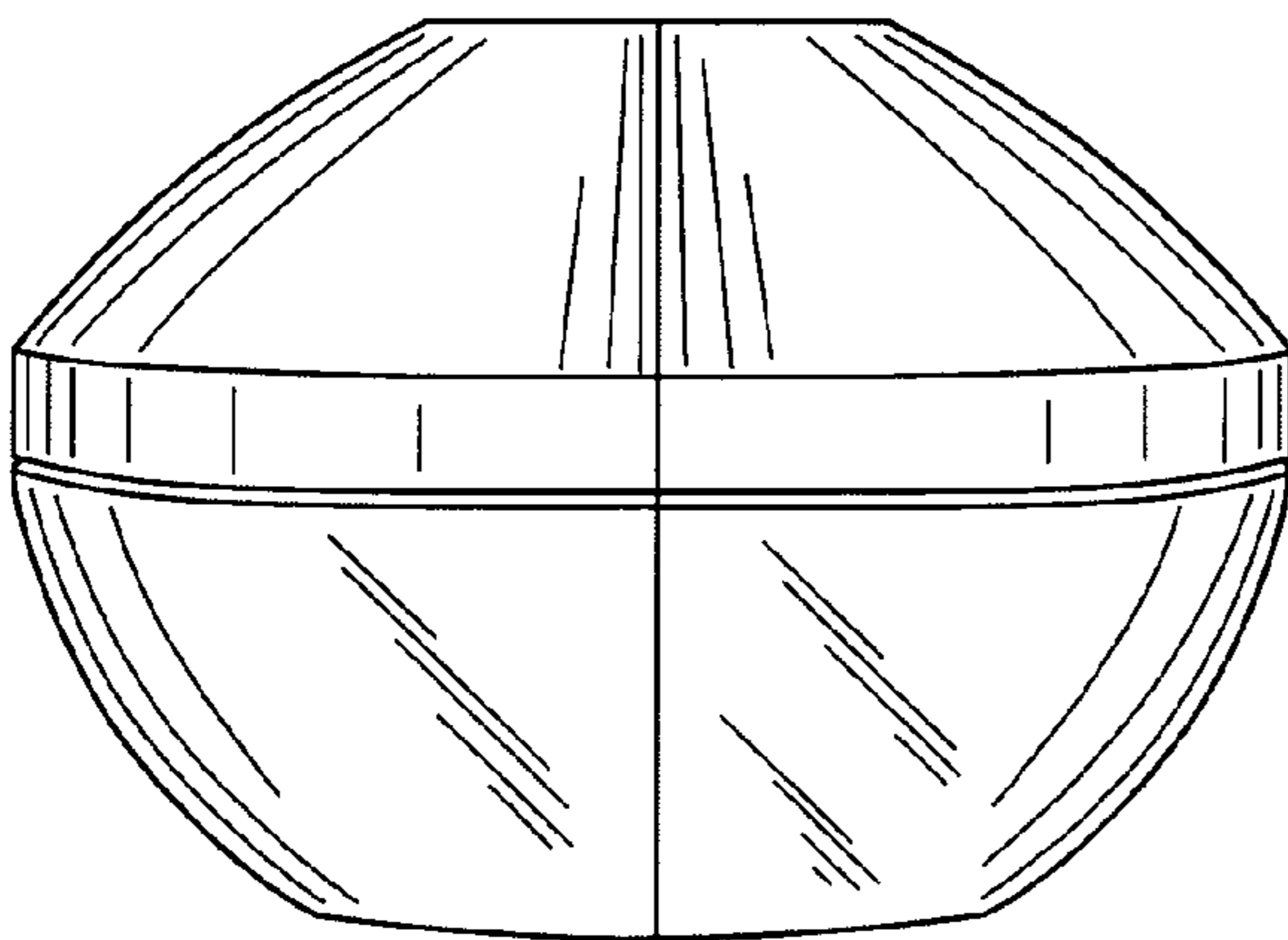
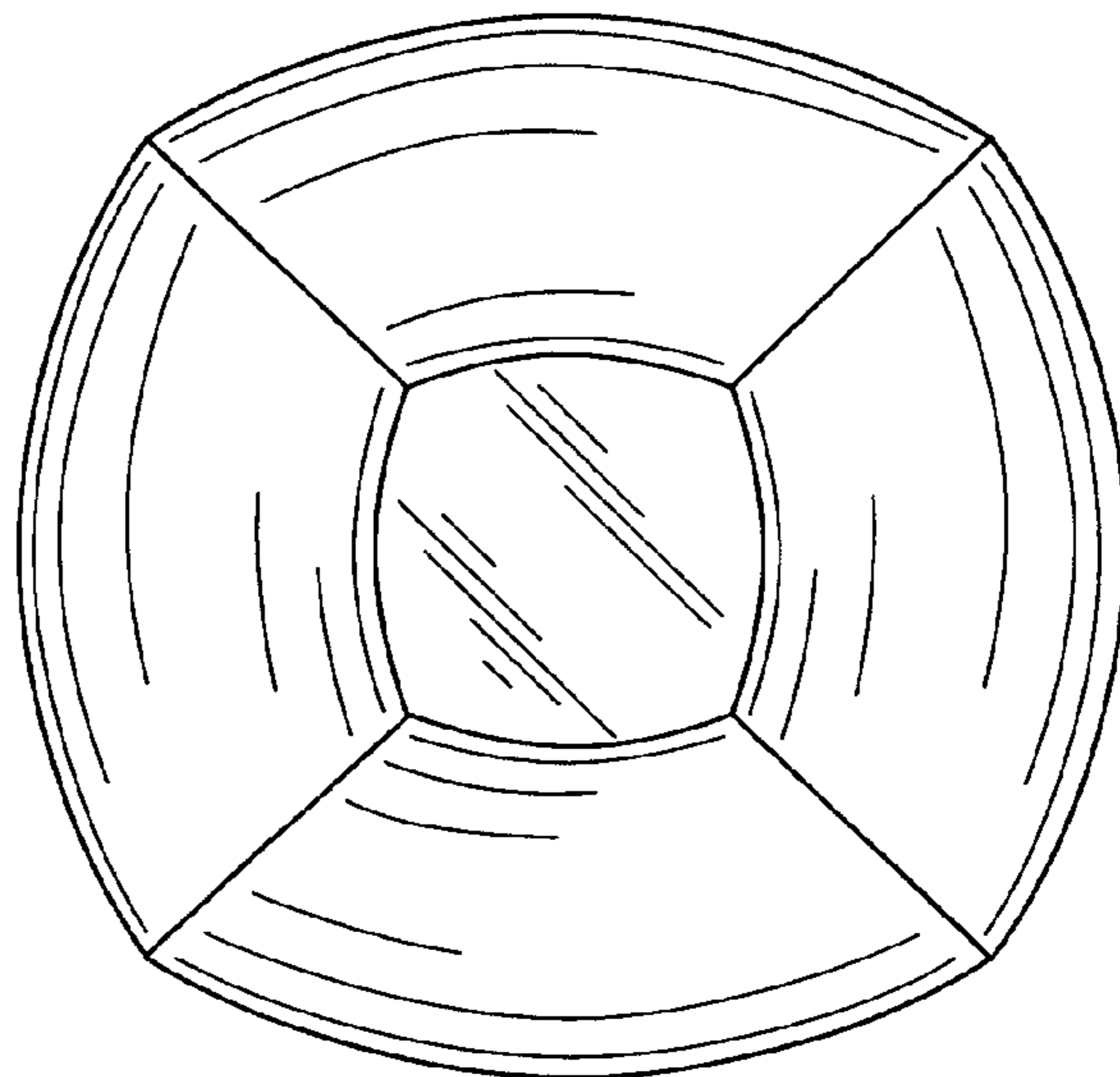


FIG. 4



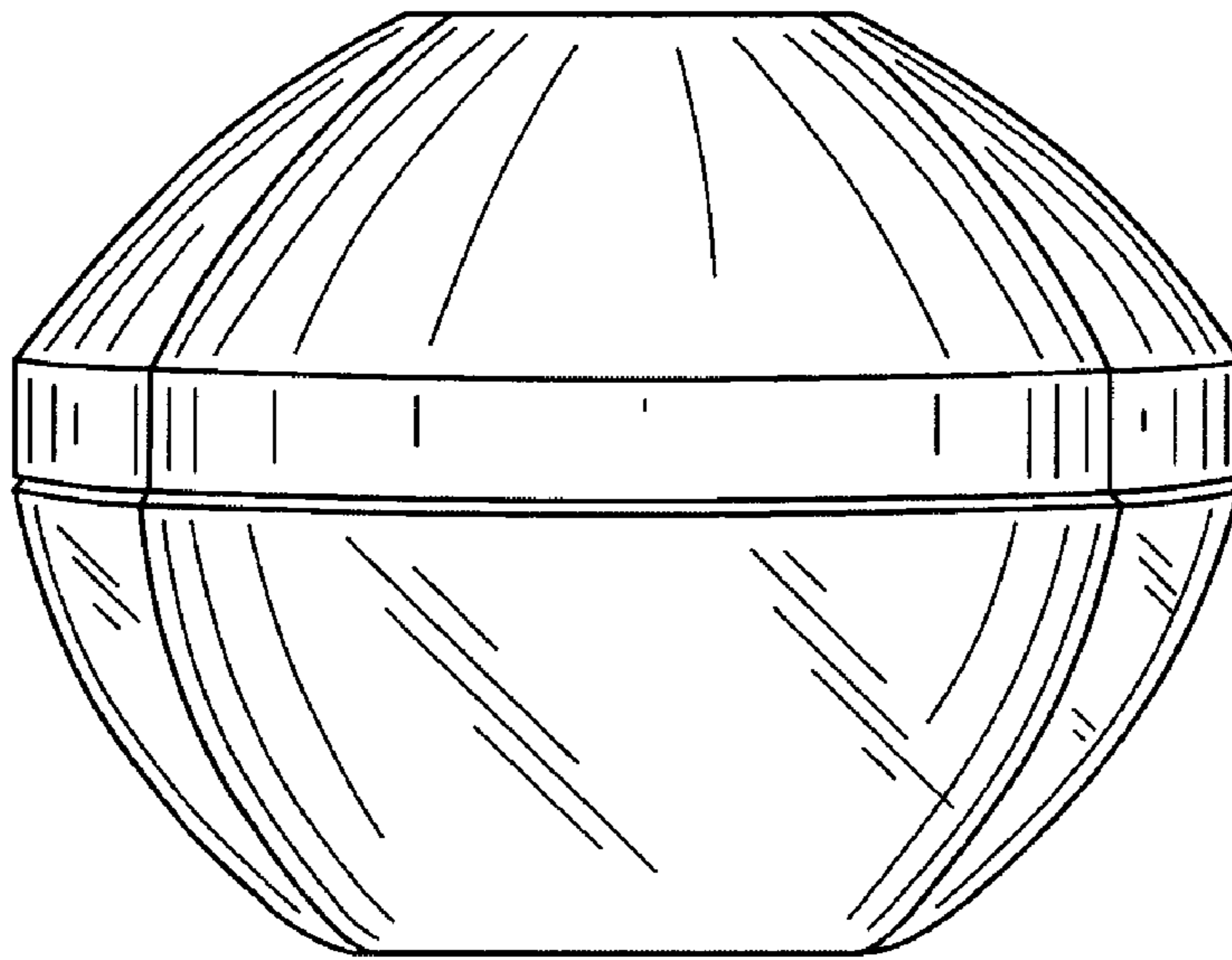


FIG. 5

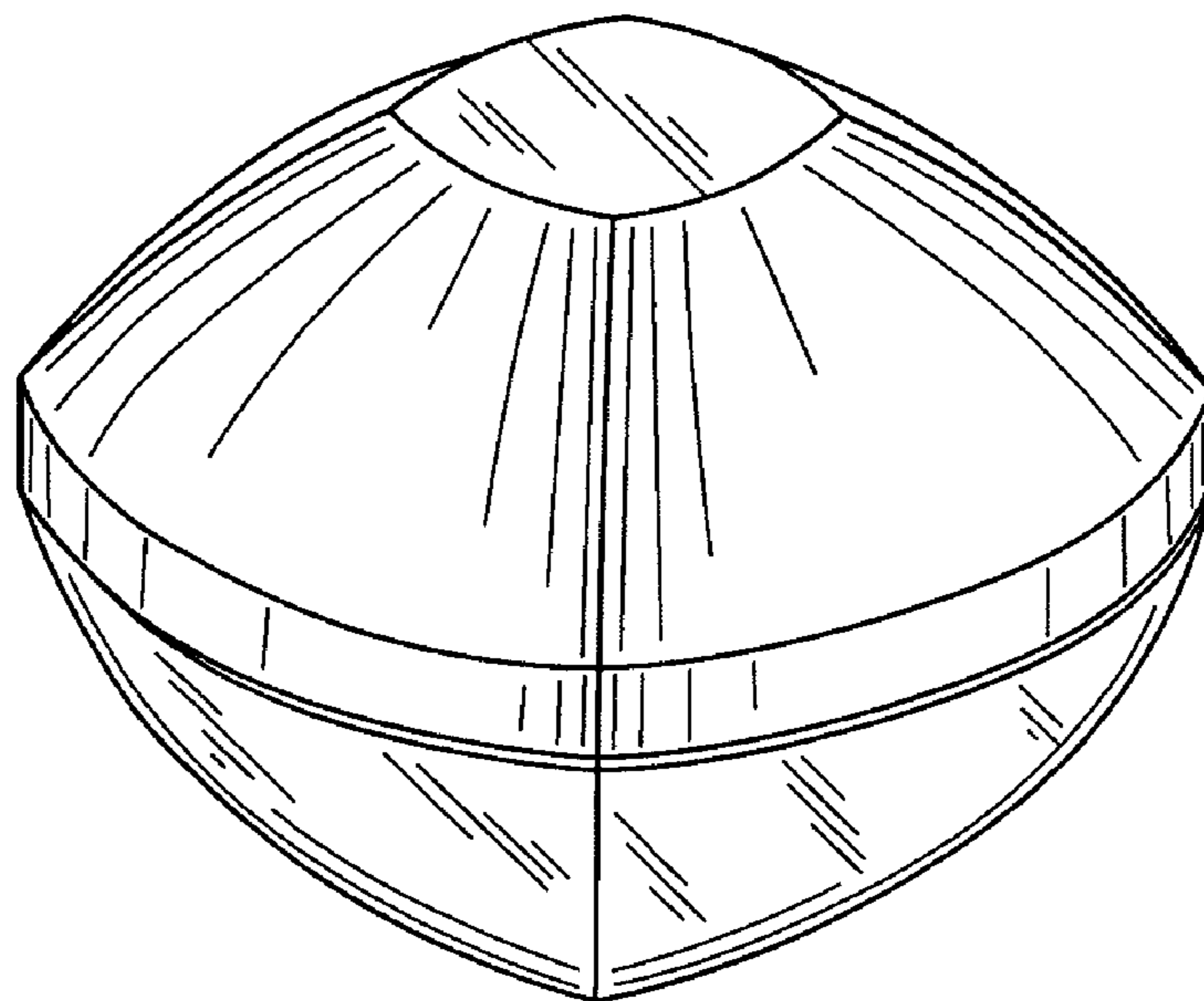


FIG. 6