



US00D584943S

(12) **United States Design Patent**  
**Kerr**

(10) **Patent No.:** **US D584,943 S**

(45) **Date of Patent:** **\*\* Jan. 20, 2009**

(54) **WIND RESISTANT PLYWOOD PANEL CLIP**

6,695,183 B2 \* 2/2004 Hancock et al. .... 224/401  
D502,638 S \* 3/2005 Winig et al. .... D8/71

(75) Inventor: **William John Kerr**, Edgewood, KY  
(US)

\* cited by examiner

(73) Assignee: **William J. Kerr**, York, SC (US)

*Primary Examiner*—Robert M Spear  
*Assistant Examiner*—John Windmuller

(\*\*) Term: **14 Years**

(57) **CLAIM**

(21) Appl. No.: **29/251,245**

The ornamental design for the wind resistant plywood panel clip, as shown and described.

(22) Filed: **Jan. 6, 2006**

(51) **LOC (9) Cl.** ..... **08-08**

**DESCRIPTION**

(52) **U.S. Cl.** ..... **D8/394; D8/395**

(58) **Field of Classification Search** ..... D8/356,  
D8/371, 394–396; D19/65; 24/22, 67 R,  
24/20 S, 115 R, 546, 563, 910, 343, 67.9;  
248/74.2, 215, 227.1, 49, 300, 301, 316.7,  
248/51, 489

FIG. 1 is a TOP view of a wind resistant plywood panel clip showing my new design;

FIG. 2 is a BOTTOM view thereof;

FIG. 3 is a FRONT view thereof;

FIG. 4 is a BACK view thereof;

FIG. 5 is a LEFT SIDE view thereof; and,

FIG. 6 is a RIGHT SIDE view thereof.

See application file for complete search history.

Figure titles represent the use of the wind resistant plywood panel clip on the left side of the plywood panel. This clip is reversible and may be used on the Top, Bottom, Left, or Right side of the plywood panel.

(56) **References Cited**

U.S. PATENT DOCUMENTS

D56,557 S \* 11/1920 Heap ..... D28/39  
2,678,655 A \* 5/1954 Butler ..... 132/281  
5,915,572 A \* 6/1999 Hancock ..... 211/64  
6,273,255 B1 \* 8/2001 Rosler ..... 206/378  
6,450,338 B1 \* 9/2002 Chen ..... 206/378

**1 Claim, 1 Drawing Sheet**

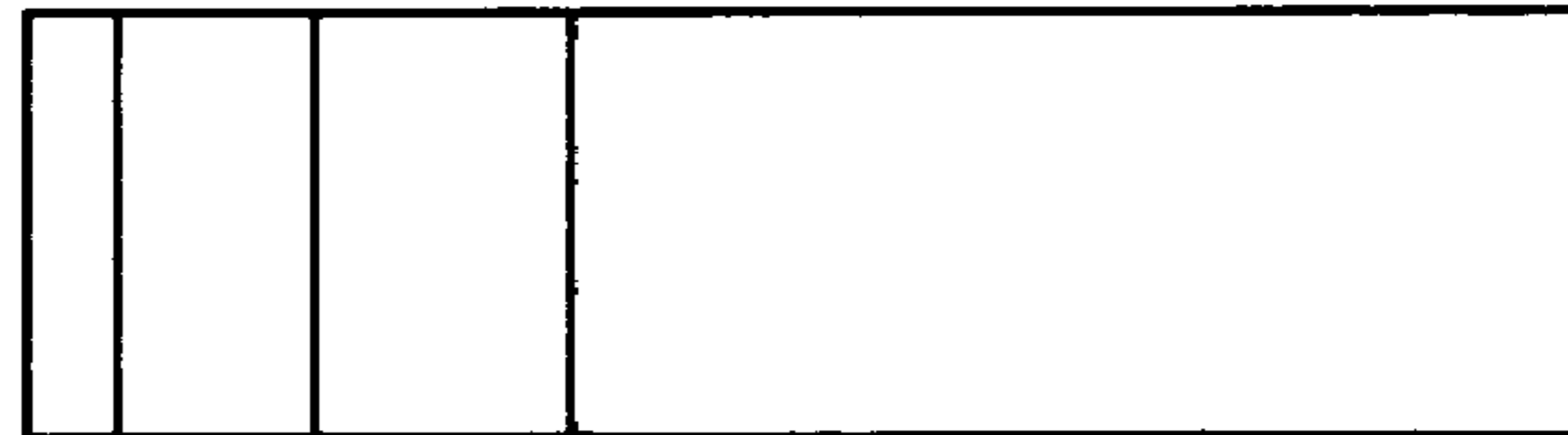
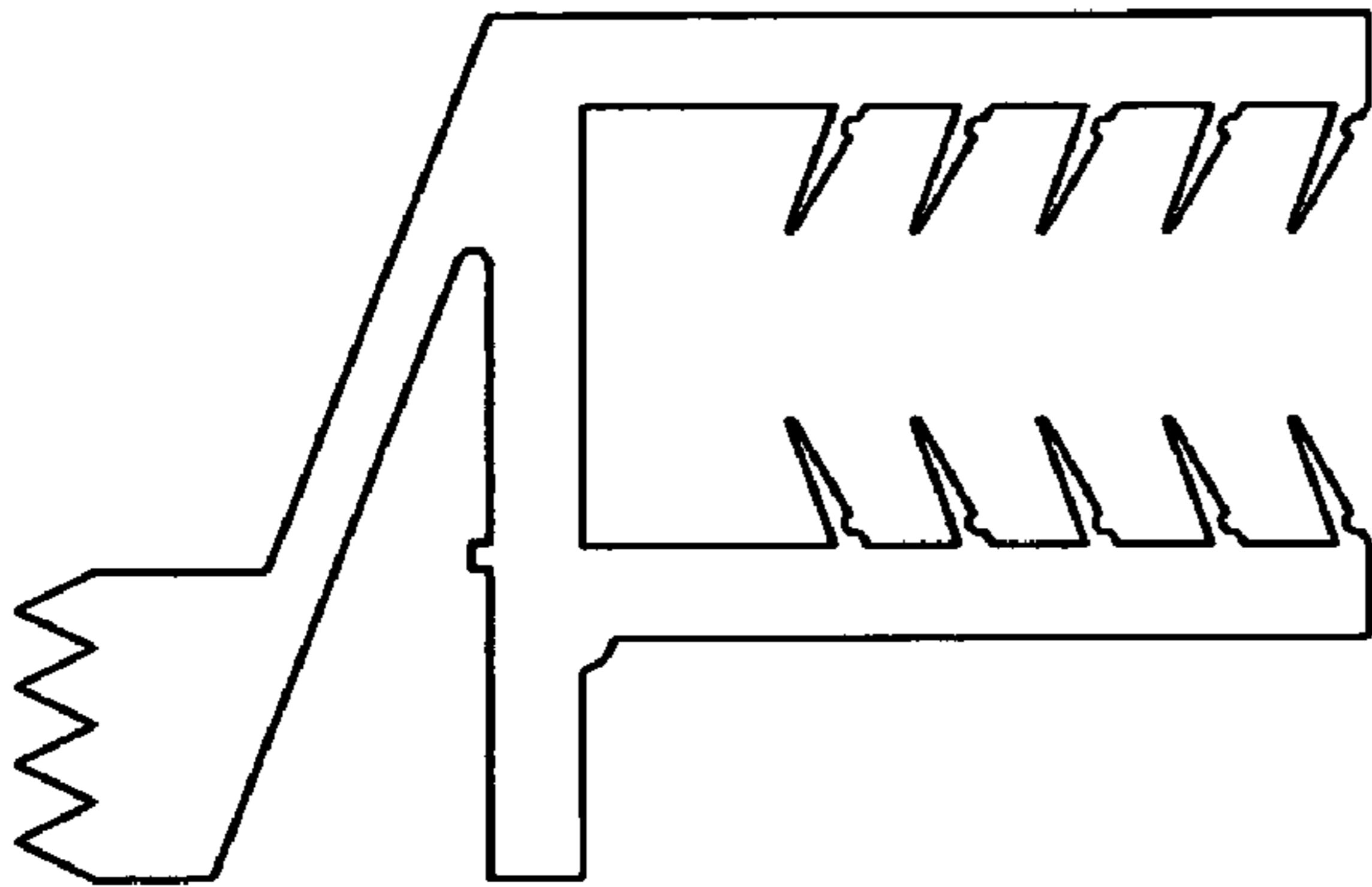


FIG 1

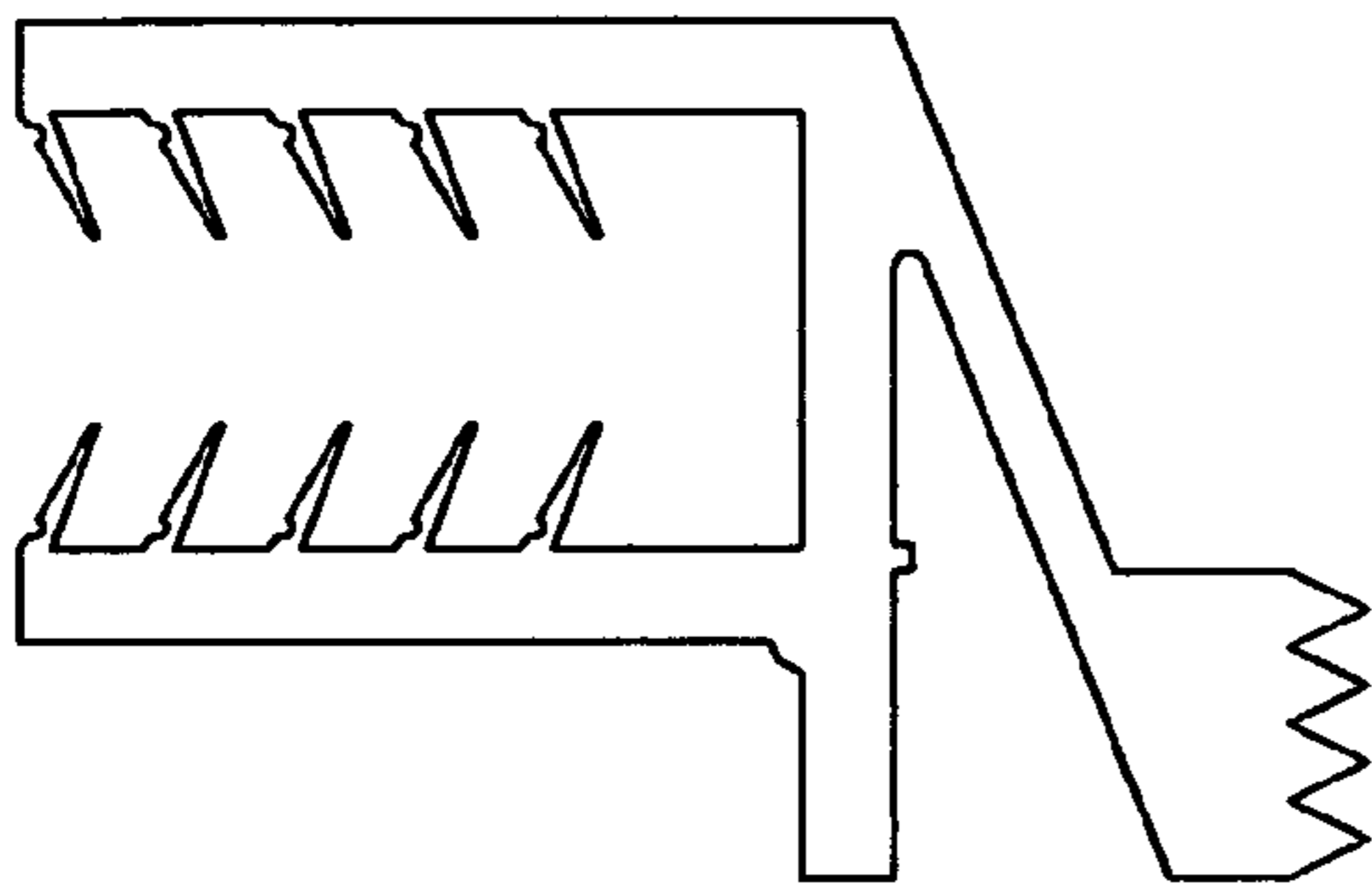


FIG 2

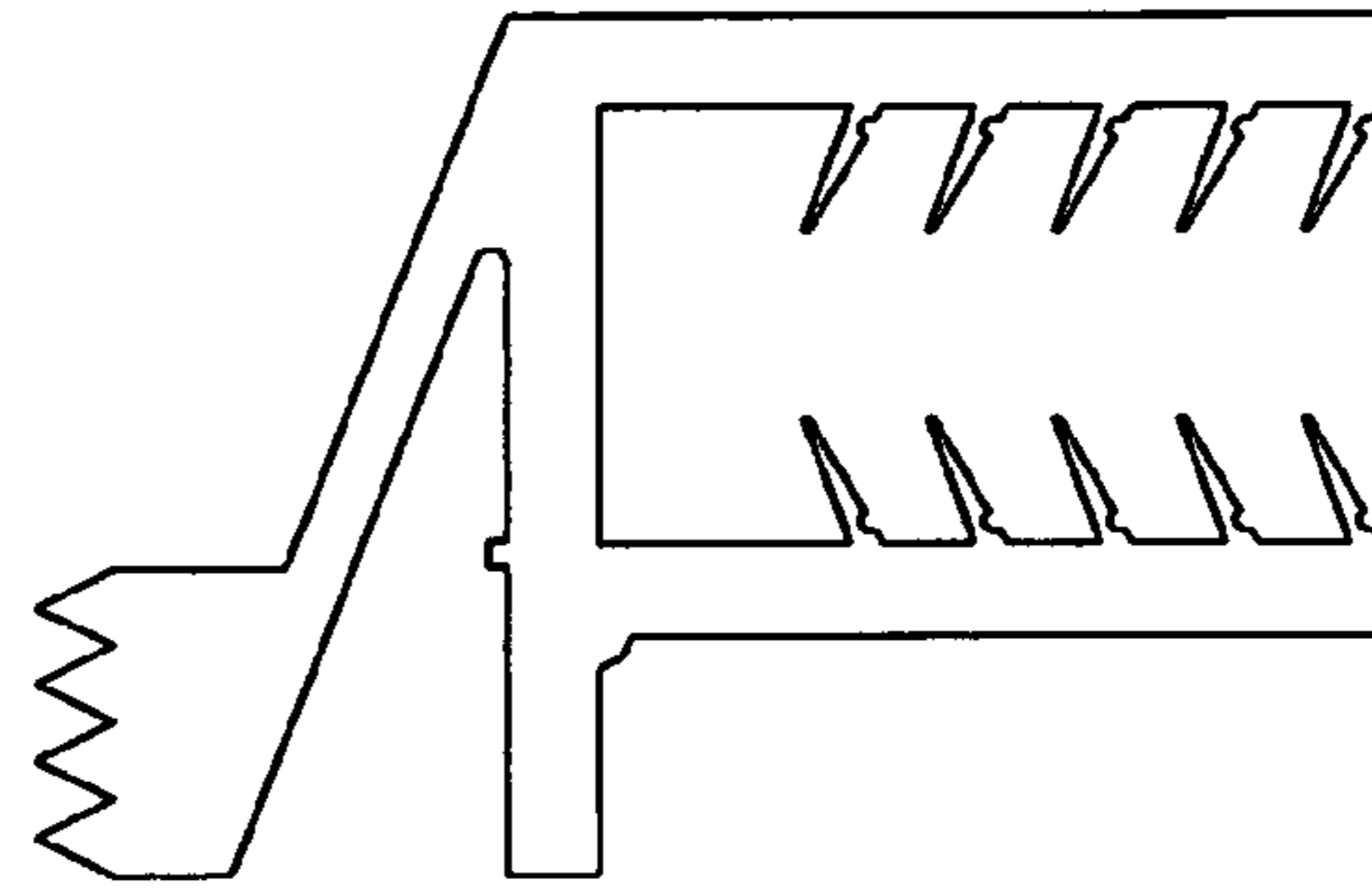


FIG 3

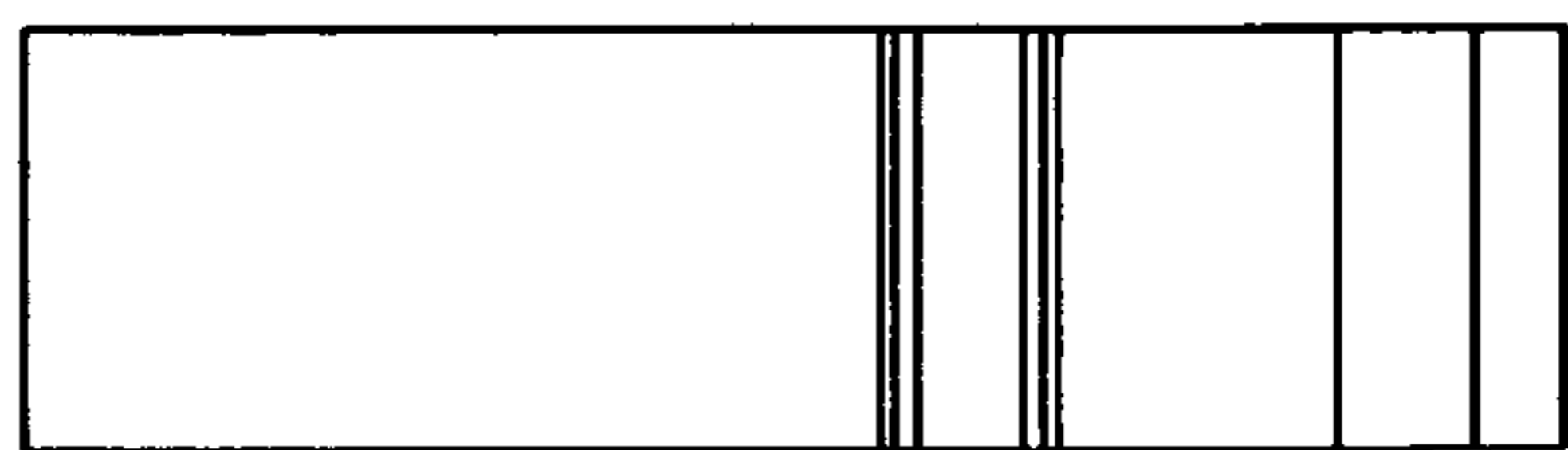


FIG 4

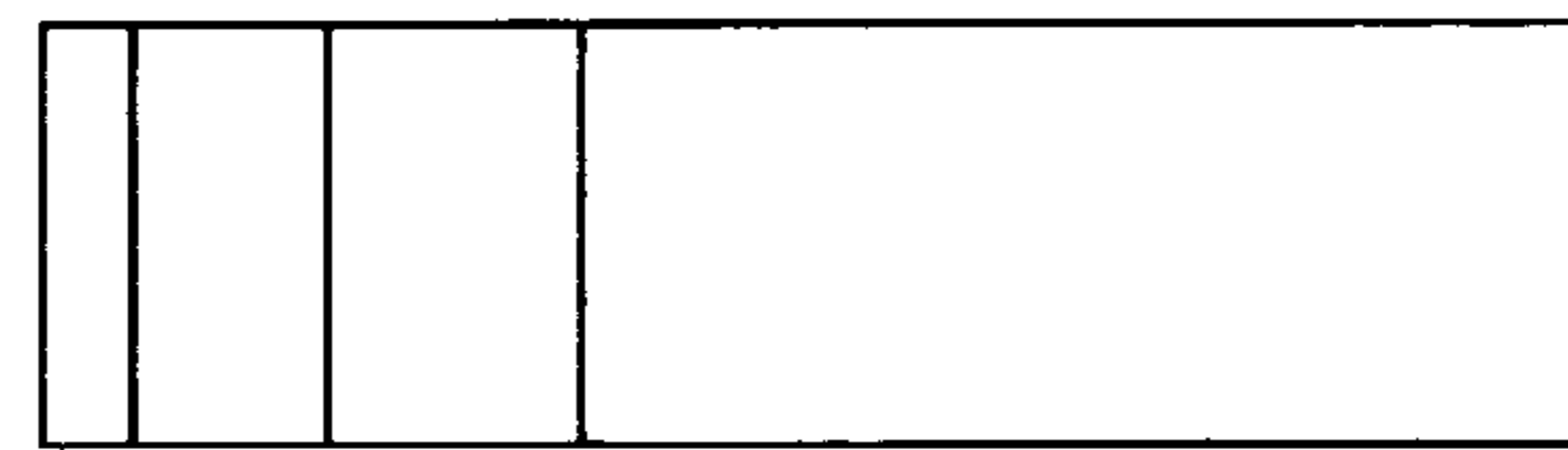


FIG 5

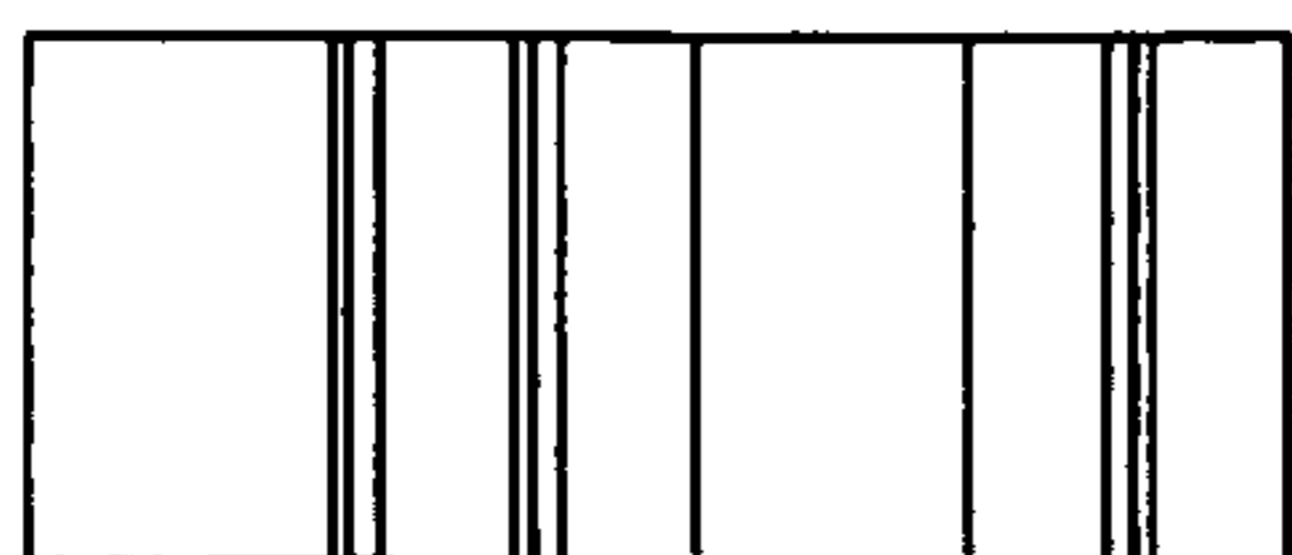


FIG 6

