



US00D584941S

(12) **United States Design Patent**  
**Broehl et al.**

(10) **Patent No.:** **US D584,941 S**  
(45) **Date of Patent:** **\*\* Jan. 20, 2009**

- (54) **U-CHANNEL DISPLAY BRACKET**
- (75) Inventors: **Joshua Michael Broehl**, Worthington, OH (US); **Bryan Martin Shova**, Columbus, OH (US); **Ryan S. Crisp**, Lewis Center, OH (US)
- (73) Assignee: **Wilton Industries, Inc.**, Woodridge, IL (US)
- (\*\*) Term: **14 Years**
- (21) Appl. No.: **29/272,540**
- (22) Filed: **Feb. 9, 2007**

- D488,570 S \* 4/2004 Houssian ..... D25/136
- D489,463 S \* 5/2004 Barnett ..... D25/119
- D505,737 S \* 5/2005 Beranek et al. .... D25/199
- D507,173 S \* 7/2005 Cairns ..... D8/376
- 6,942,108 B2 9/2005 Wons et al.
- D534,790 S \* 1/2007 Garda ..... D8/377
- D553,758 S \* 10/2007 Turjanski ..... D25/102
- D555,805 S \* 11/2007 Ferreira ..... D25/47
- D568,403 S \* 5/2008 Hearsey ..... D19/90
- D569,011 S \* 5/2008 Brochu ..... D25/138
- 2004/0051017 A1 3/2004 Mislich
- 2004/0089619 A1 5/2004 Plutsky
- 2005/0035075 A1 2/2005 Walker
- 2005/0139560 A1 6/2005 Whiteside et al.

- (51) **LOC (9) Cl.** ..... **08-05**
- (52) **U.S. Cl.** ..... **D8/377**
- (58) **Field of Classification Search** ..... D6/449, D6/491; D8/382, 400, 403, 349, 377; 248/200, 248/300, 237, 208, 218.4; D25/102, 119-122, D25/136, 199, 126; 52/716.1-716.6  
See application file for complete search history.

**FOREIGN PATENT DOCUMENTS**

FR 2642289 8/1990

\* cited by examiner

*Primary Examiner*—Elizabeth A Albert  
*Assistant Examiner*—Kelley A Donnelly  
(74) *Attorney, Agent, or Firm*—DLA Piper LLP (US); Jennifer E. Lacroix

(56) **References Cited**  
U.S. PATENT DOCUMENTS

- 1,488,282 A 3/1924 Phillips
- 2,643,002 A 6/1953 Rubenstein
- 2,698,690 A 1/1955 Rubenstein
- 2,743,020 A 4/1956 Rubenstein
- D246,573 S \* 12/1977 White ..... D8/384
- 4,613,047 A 9/1986 Bushyhead et al.
- D291,279 S \* 8/1987 Bergeron ..... D8/373
- 4,961,295 A \* 10/1990 Kosch et al. .... 52/36.5
- 5,009,335 A 4/1991 Jonker
- 5,100,006 A 3/1992 Forrester
- 5,121,578 A \* 6/1992 Holz ..... 52/506.01
- 5,265,736 A 11/1993 Orr
- D345,498 S \* 3/1994 Fraser et al. .... D8/377
- 5,318,190 A 6/1994 Mason
- D357,407 S \* 4/1995 Pate ..... D8/381
- 5,474,190 A 12/1995 Won-Kim
- 6,098,363 A \* 8/2000 Yaguchi ..... 52/385
- 6,298,555 B1 \* 10/2001 Vincenti ..... 29/890.14
- D462,787 S \* 9/2002 Scalzott ..... D25/119
- D475,470 S \* 6/2003 Oakley ..... D25/199
- 6,571,498 B1 6/2003 Cyrluk

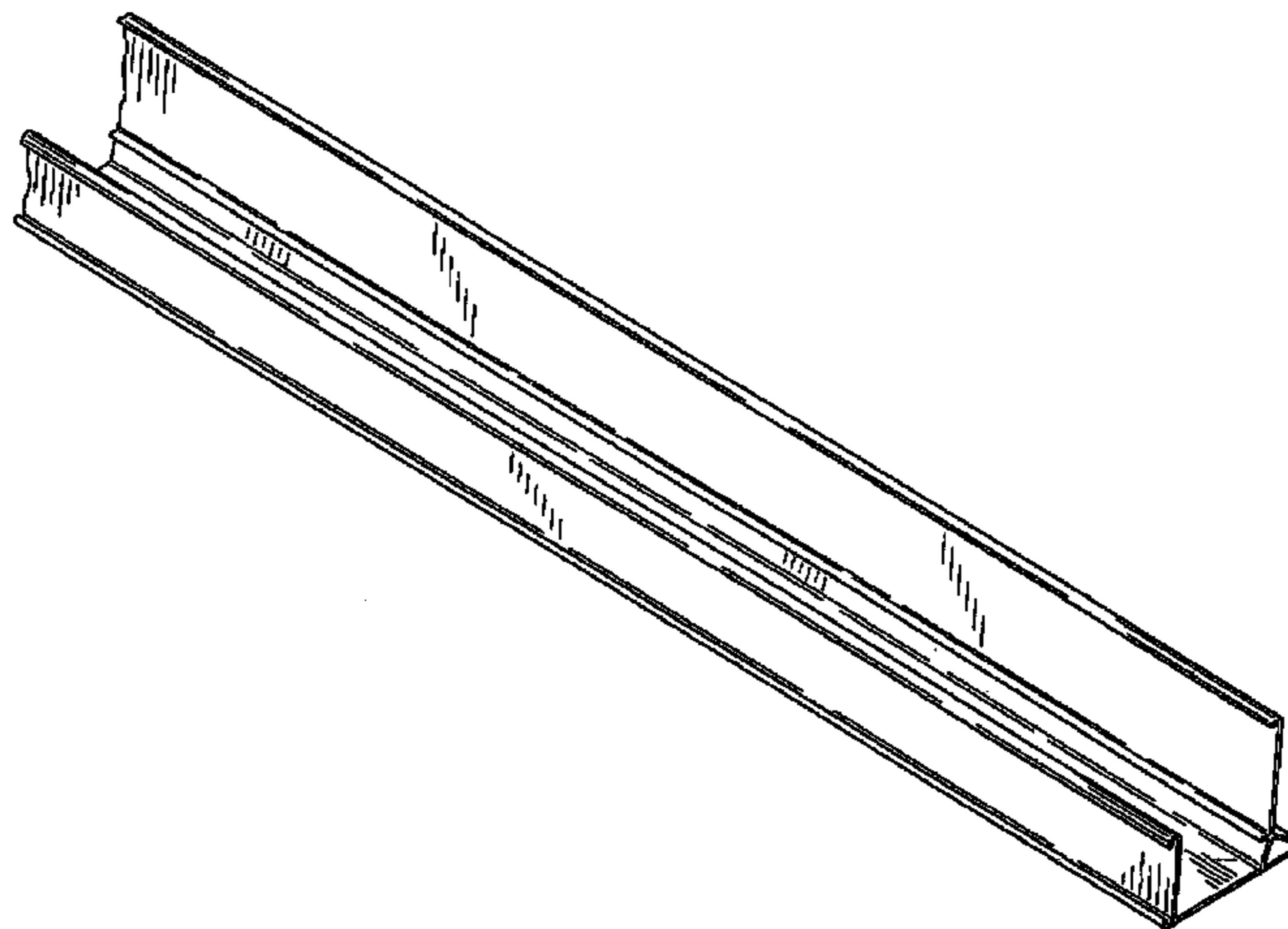
(57) **CLAIM**

The ornamental design for the U-channel display bracket, as shown.

**DESCRIPTION**

FIG. 1 is a perspective view of the U-channel display bracket; FIG. 2 is a side elevational view of the U-channel display bracket; FIG. 3 is a rear elevational view of the U-channel display bracket; FIG. 4 is a front elevational view of the U-channel display bracket; FIG. 5 is a top plan view of the U-channel display bracket; and, FIG. 6 is a bottom plan view of the U-channel display bracket. The jagged lines shown on the ends of the U channel display bracket indicate that no particular length is claimed.

**1 Claim, 3 Drawing Sheets**



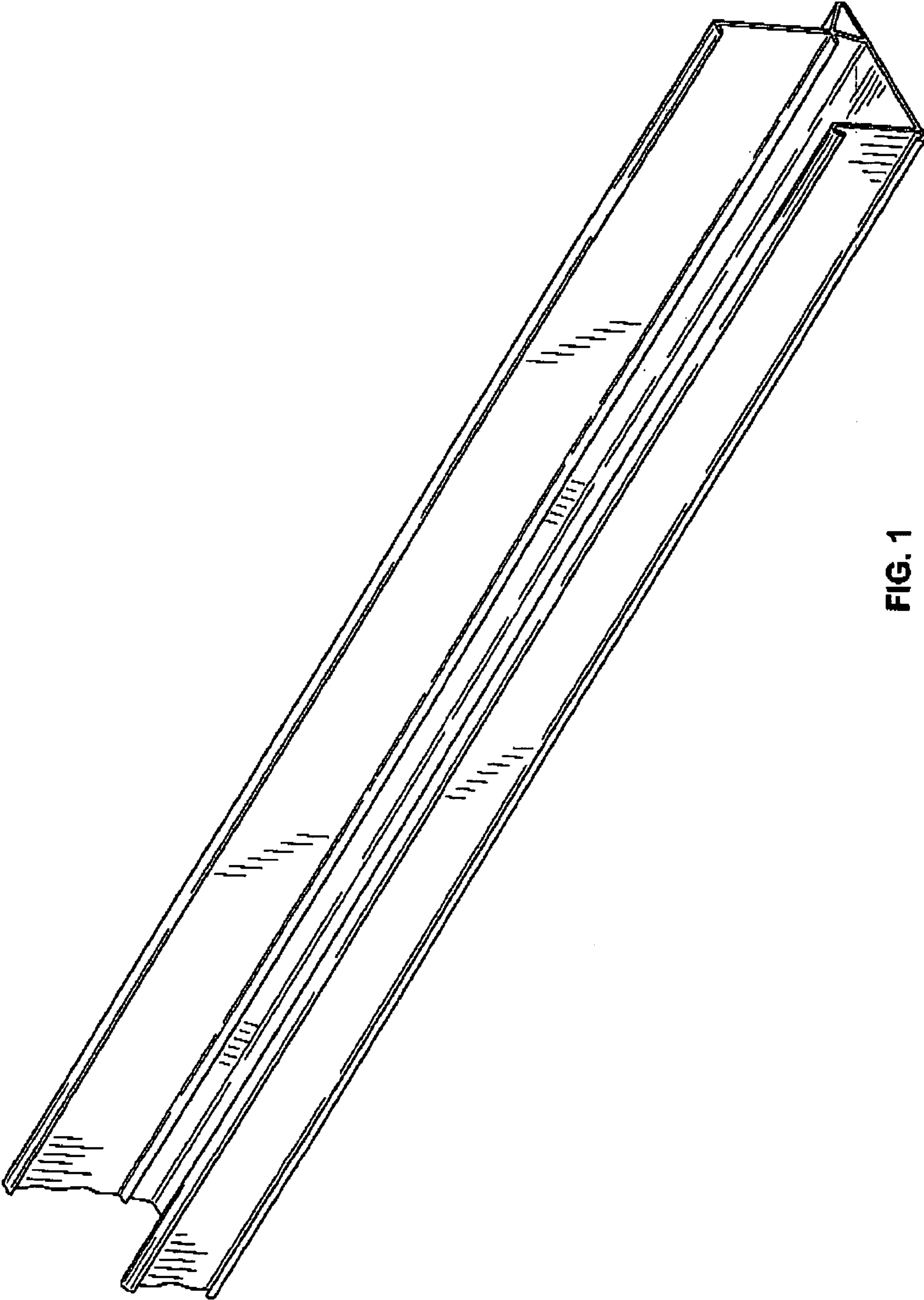


FIG. 1

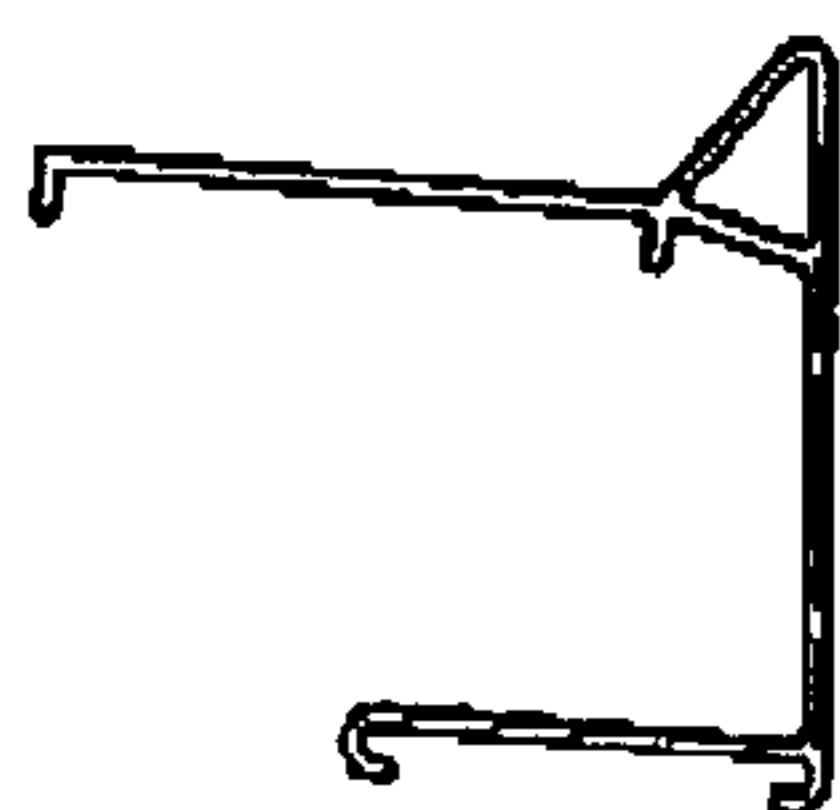


FIG. 2

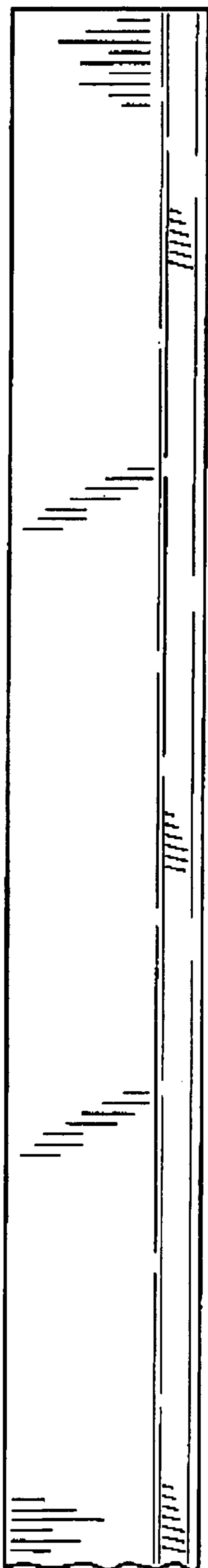


FIG. 3

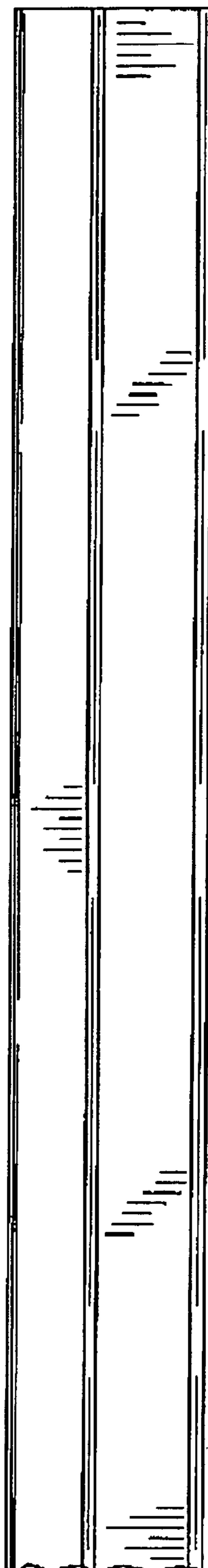


FIG. 4



FIG. 5

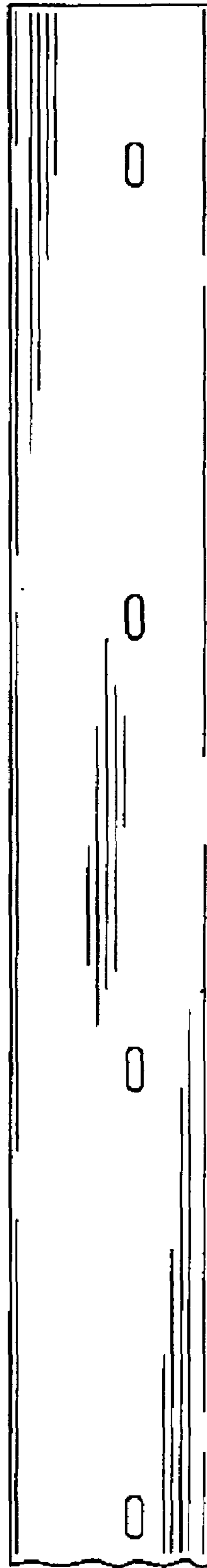


FIG. 6