



US00D584938S

(12) **United States Design Patent**
Steele

(10) **Patent No.:** **US D584,938 S**
(45) **Date of Patent:** **** Jan. 20, 2009**

(54) **GARDEN HOSE REEL CONCEALED IN A BARREL**

D561,010 S * 2/2008 Anderson et al. D8/358

* cited by examiner

(75) Inventor: **Michael Robert Steele**, Kodak, TN (US)

Primary Examiner—Susan B Hattan

(73) Assignee: **Michael R. Steele**, Kodak, TN (US)

(57) **CLAIM**

(**) Term: **14 Years**

The ornamental design for a garden hose reel concealed in a barrel, as shown and described.

(21) Appl. No.: **29/299,958**

(22) Filed: **Jan. 7, 2008**

DESCRIPTION

(51) **LOC (9) Cl.** **08-05**

FIG. 1 is a perspective view of a garden hose reel concealed in a barrel, showing my new design;

(52) **U.S. Cl.** **D8/359**

FIG. 2 is a perspective view of the invention, illustrated with a hose on the reel and with a top of the barrel removed;

(58) **Field of Classification Search** D8/381,
D8/380, 373, 363, 359, 358, 354, 350, 349;
D34/17; D14/253; D13/154; D12/211;
D10/72; 33/769; 248/264, 251, 916; 242/608.8,
242/608.4, 601, 600, 570, 395, 370; 137/355.27,
137/355.23; 104/113

FIG. 3 is a perspective view of the invention, illustrated without the hose and with the top of the barrel removed;

See application file for complete search history.

FIG. 4 is a front elevational view of the invention;

FIG. 5 is a rear elevational view of the invention;

FIG. 6 is a right-side elevational view of the invention;

FIG. 7 is a left-side elevational view of the invention;

FIG. 8 is a top plan view of the invention; and,

FIG. 9 is a bottom plan view of the invention.

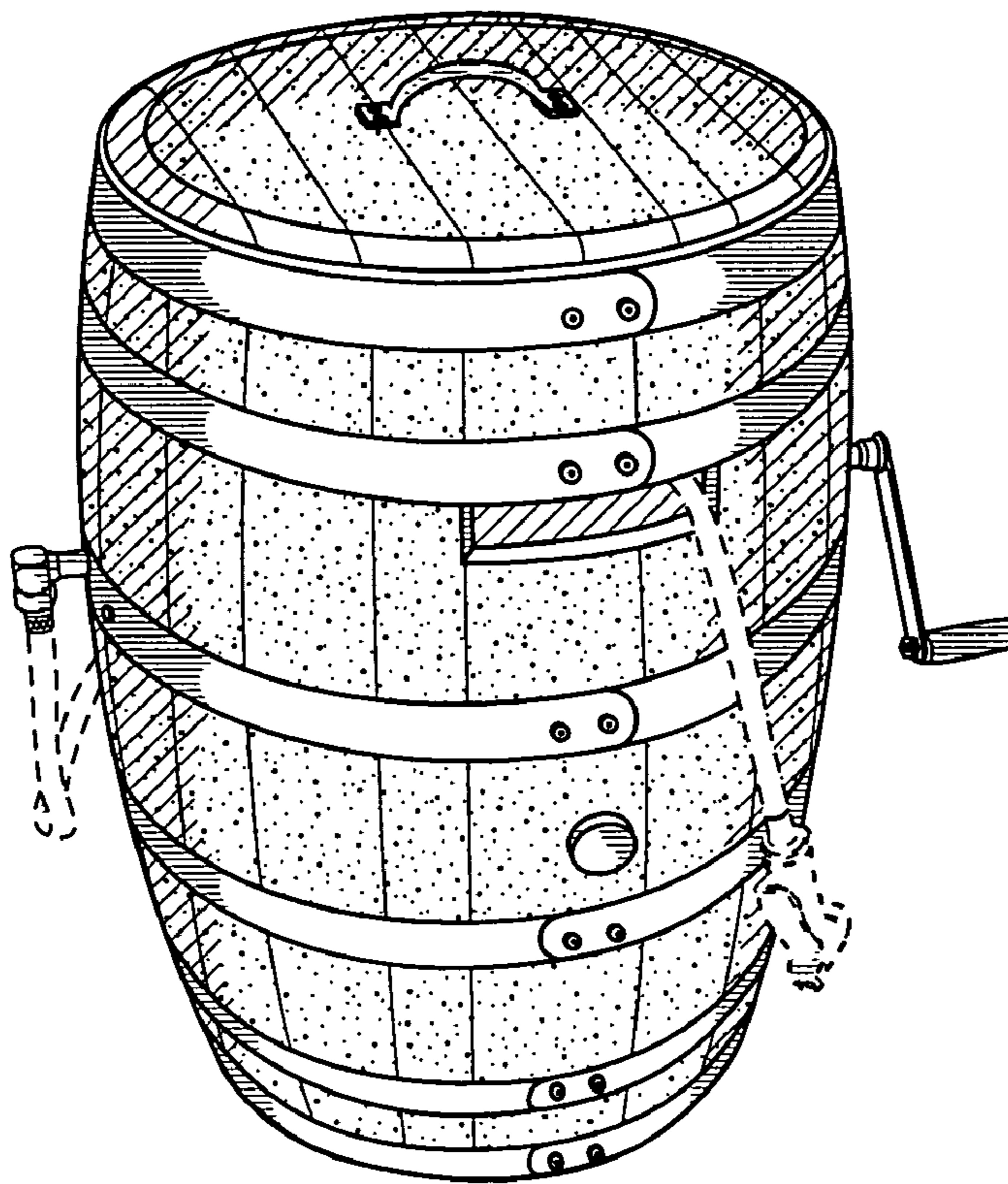
The broken lines showing a hose in the figures are included for the purpose of illustrating the invention in use, and form no part of the claimed design.

(56) **References Cited**

U.S. PATENT DOCUMENTS

- 1,200,581 A * 10/1916 Brown 217/72
- D310,627 S * 9/1990 Manuel D9/633
- 5,011,034 A * 4/1991 Abel 220/23.86
- D344,204 S * 2/1994 Dixon D34/39
- D389,952 S * 1/1998 Bartolotta D27/188
- D459,139 S * 6/2002 Vlooswijk et al. D7/313
- D478,803 S * 8/2003 Markley D8/359

1 Claim, 3 Drawing Sheets



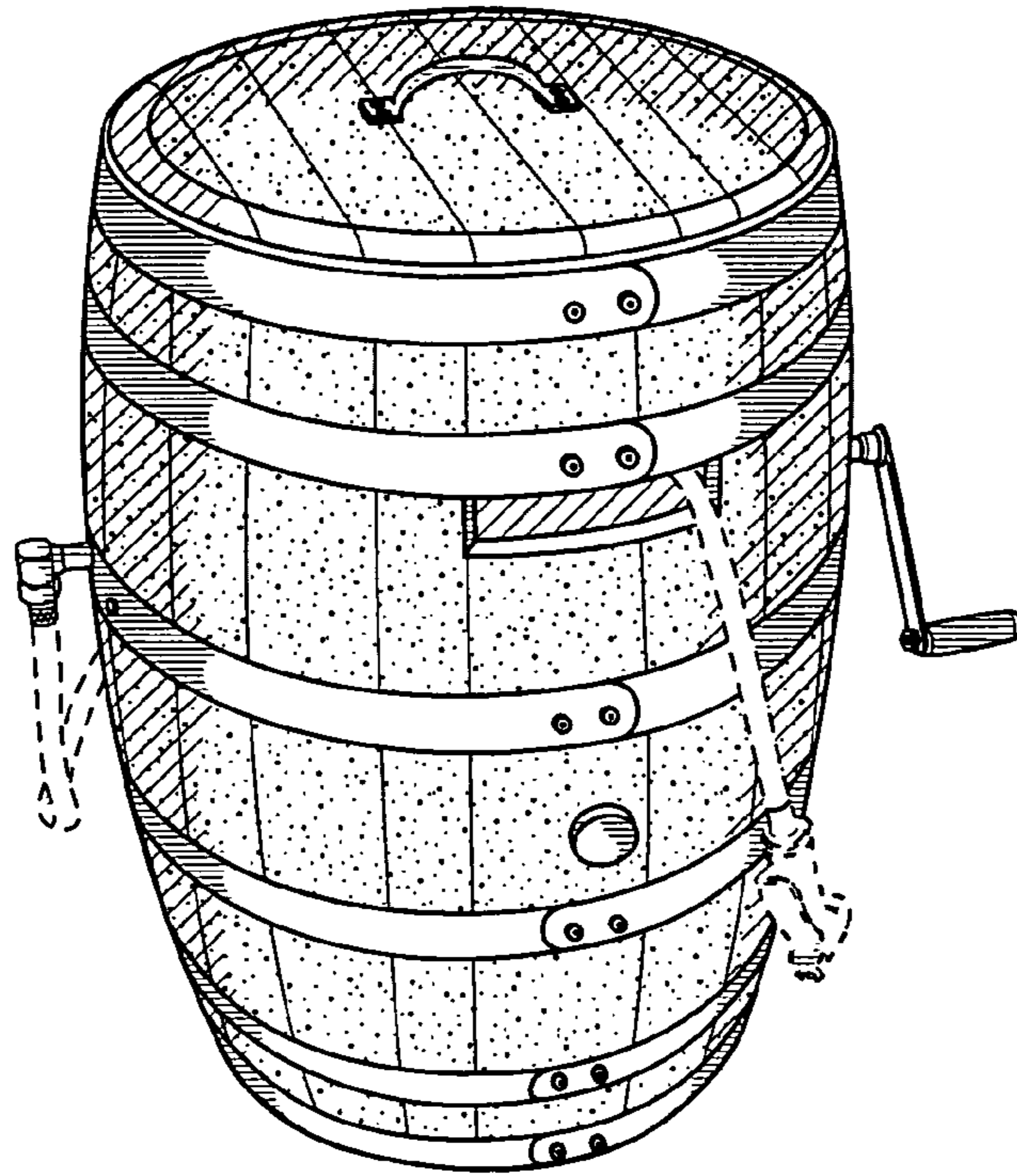


FIG. 1

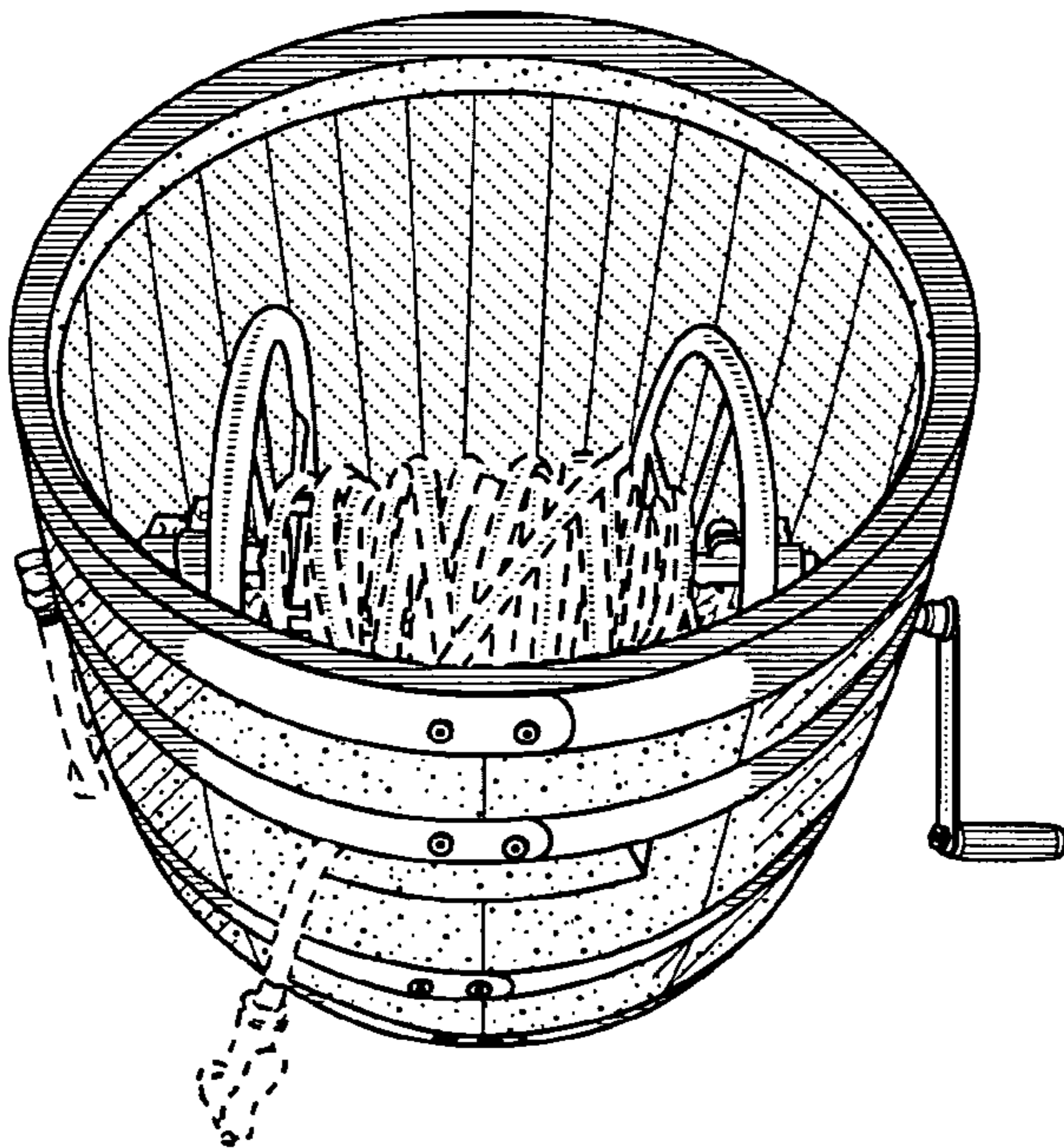


FIG. 2

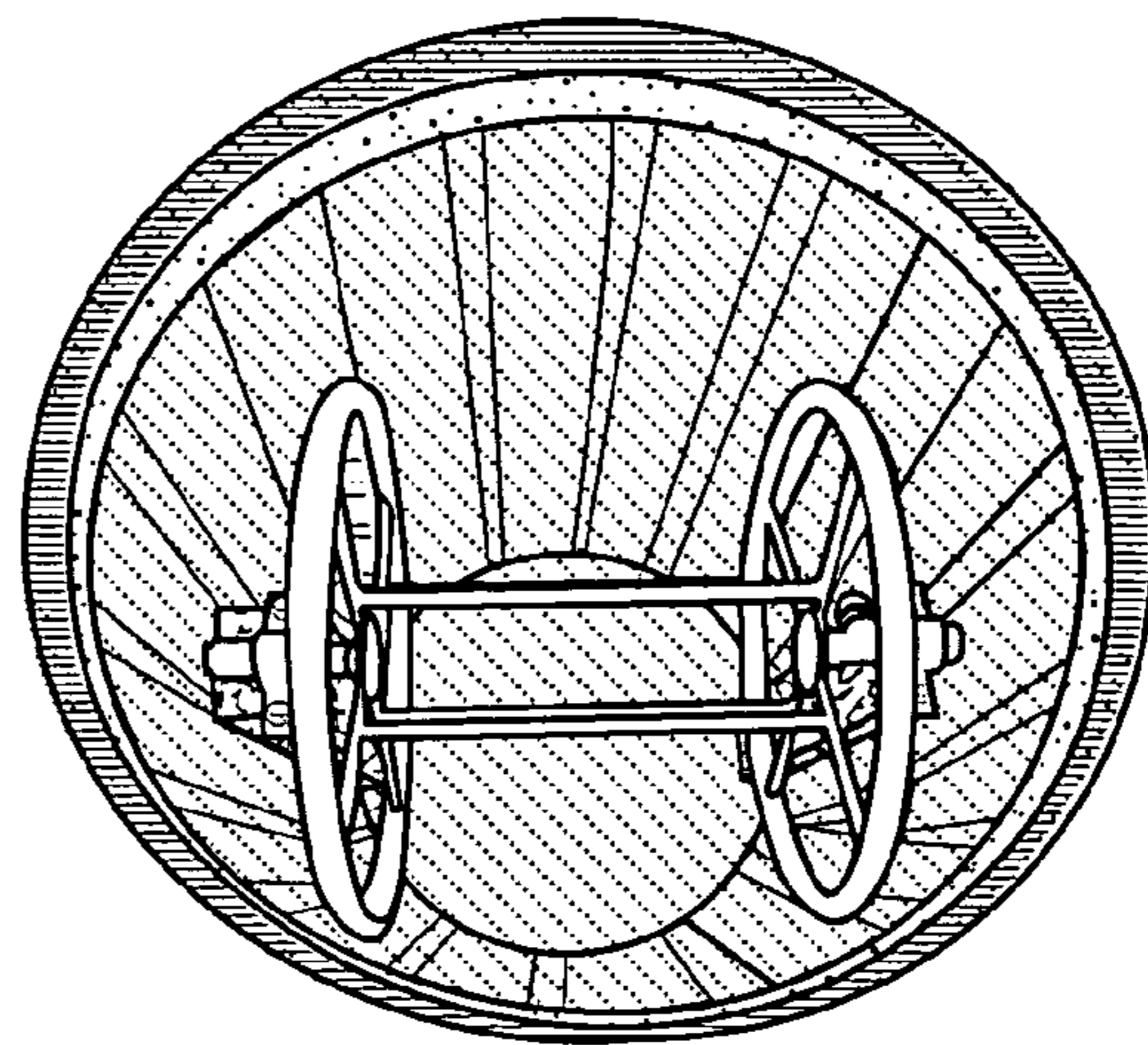


FIG. 3

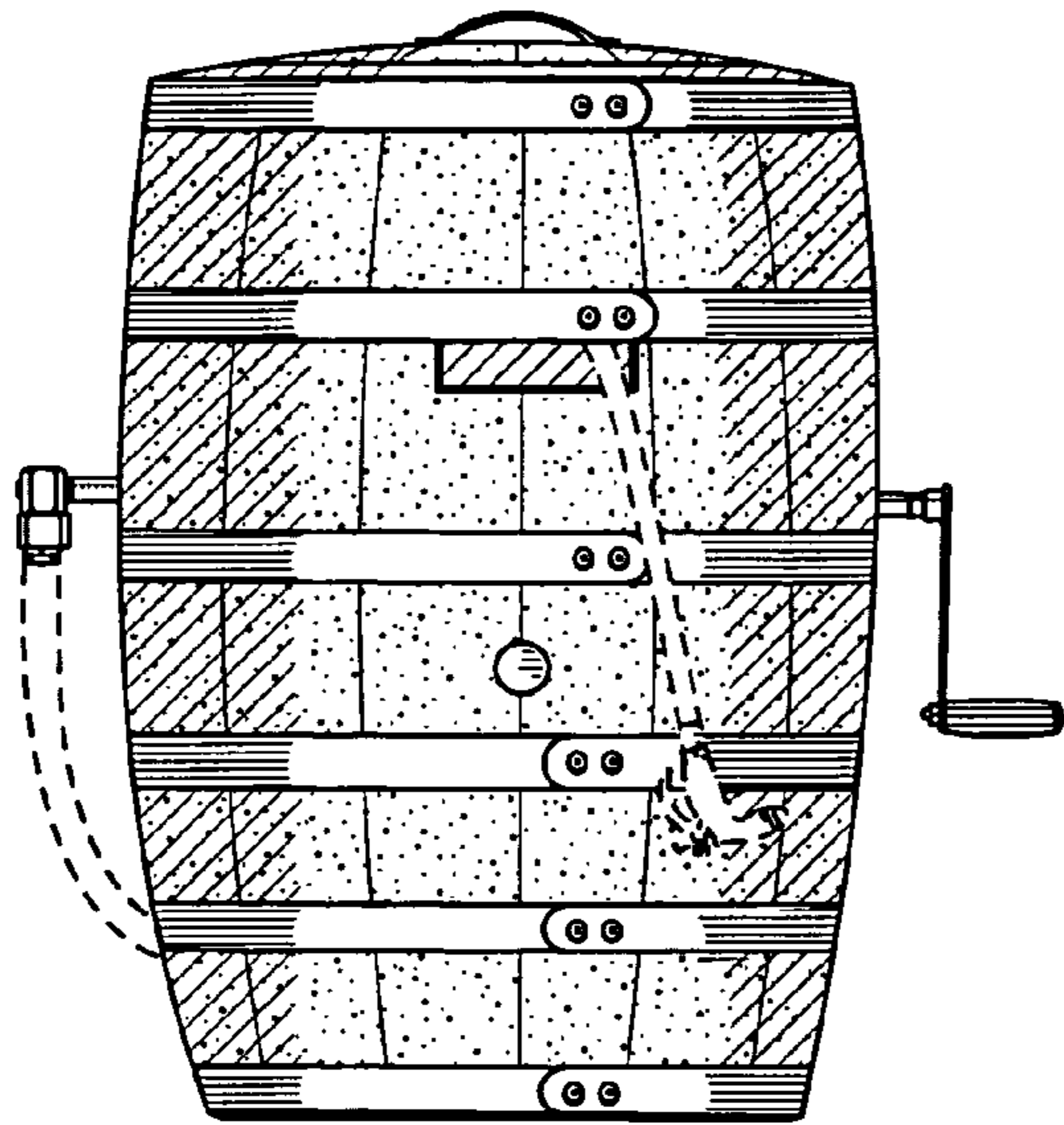


FIG. 4

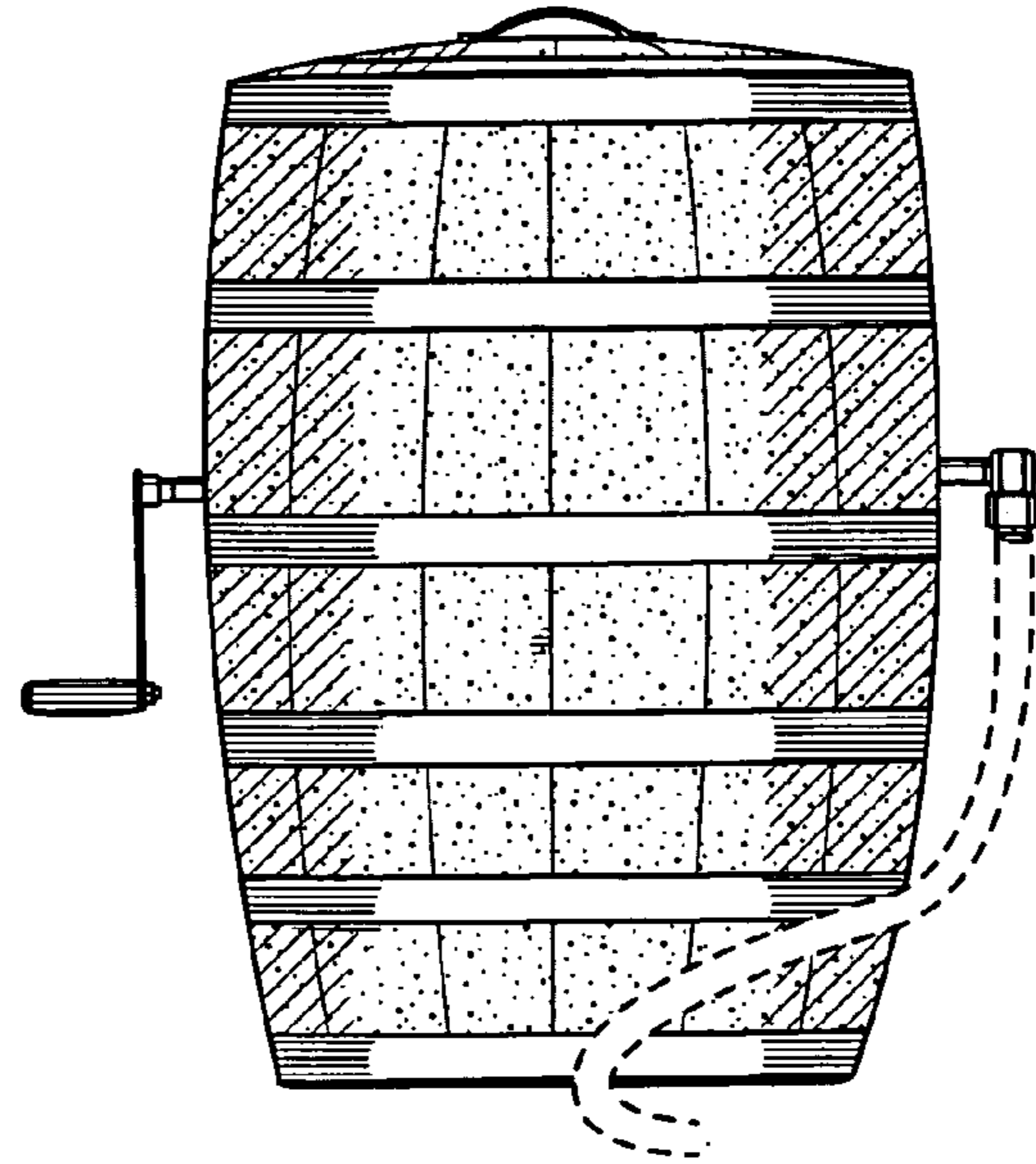


FIG. 5

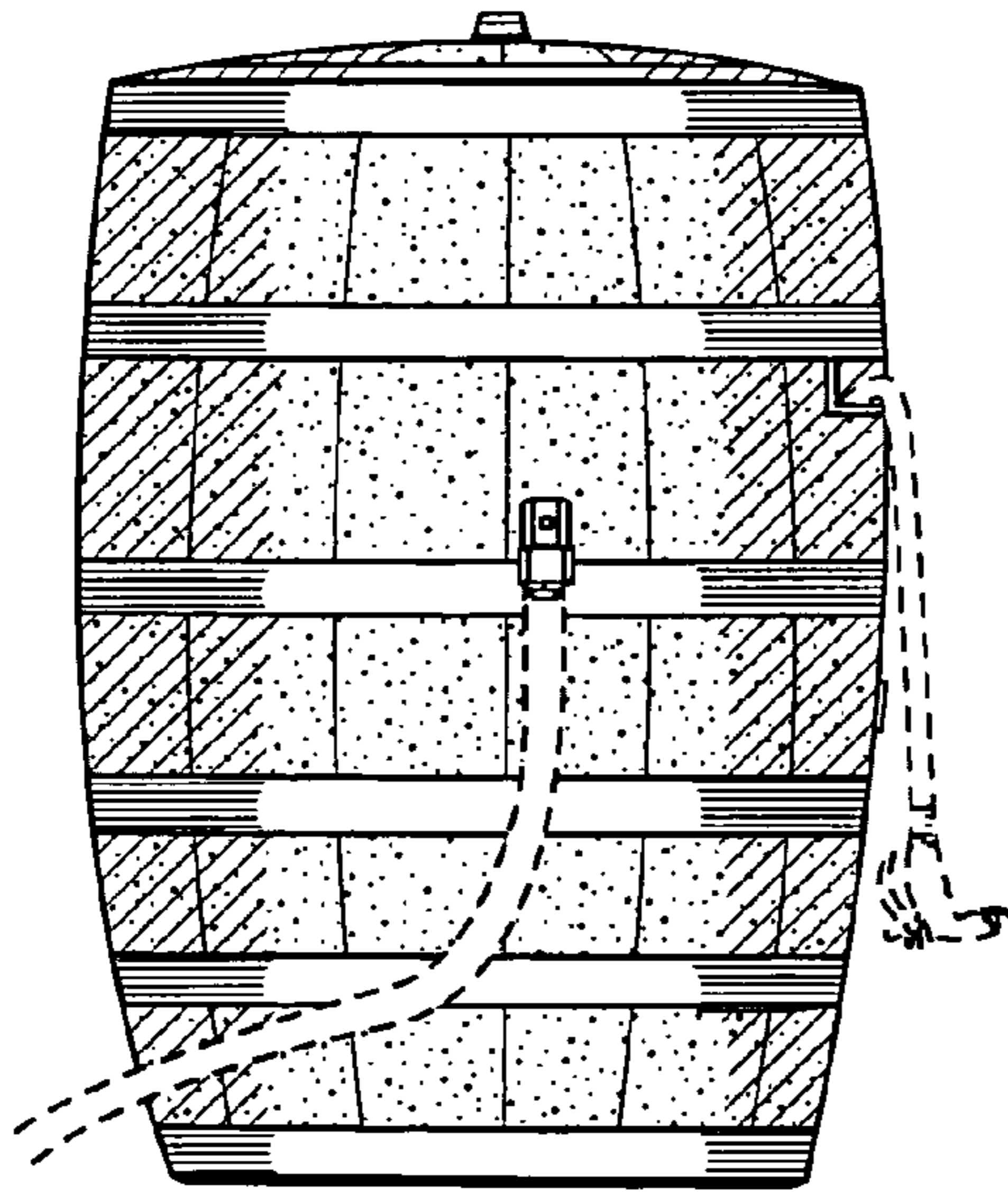


FIG. 6

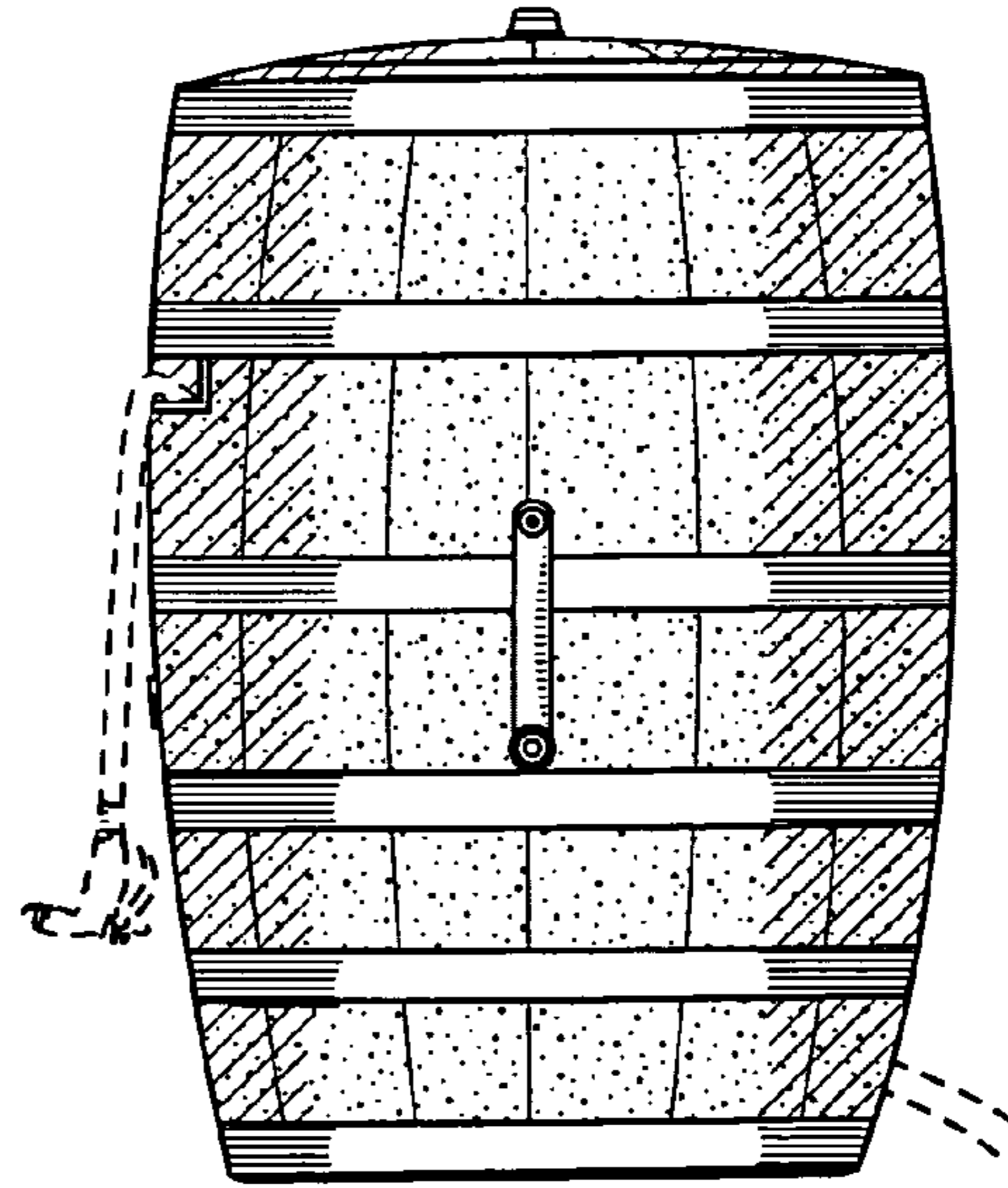


FIG. 7

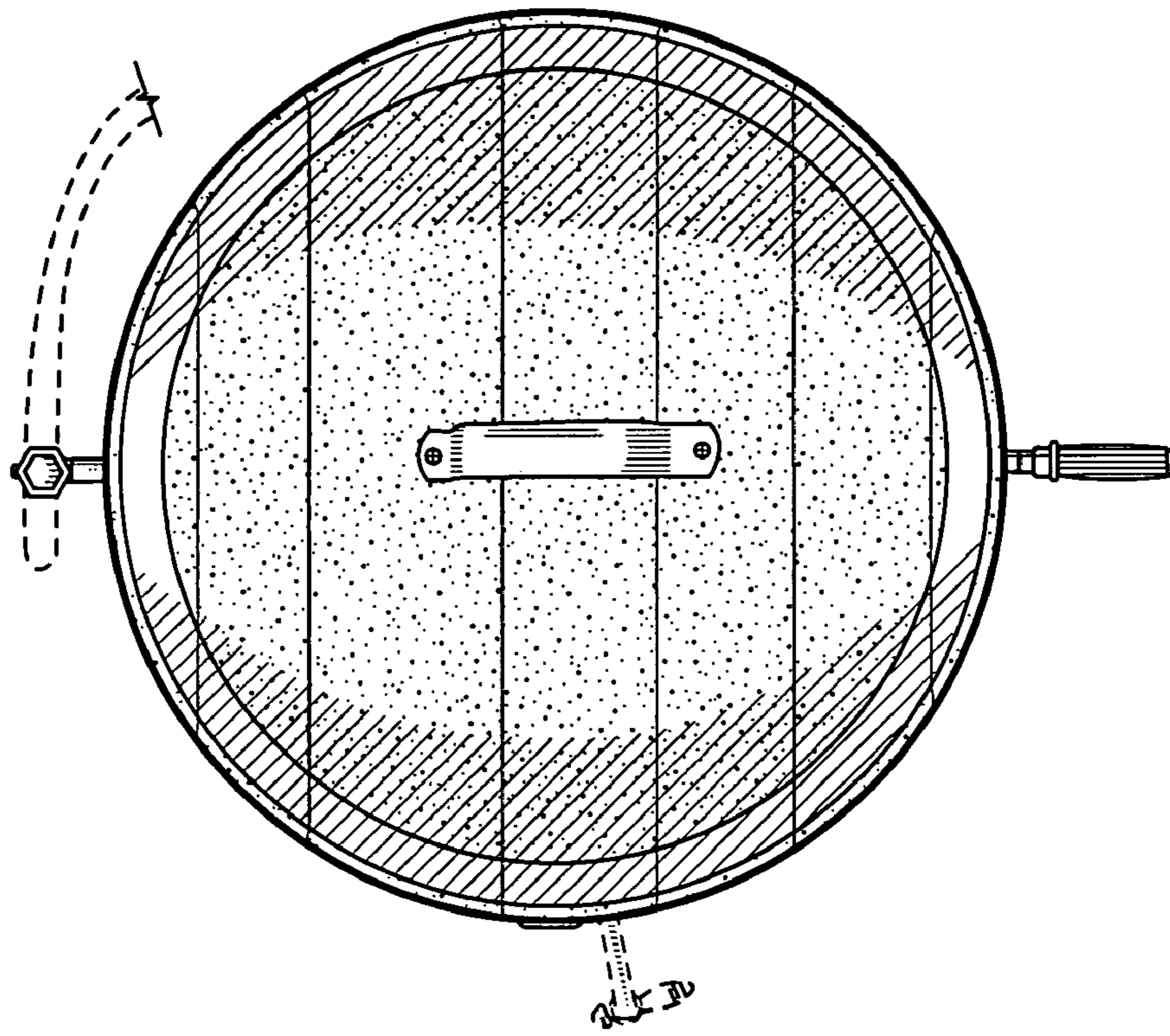


FIG. 8

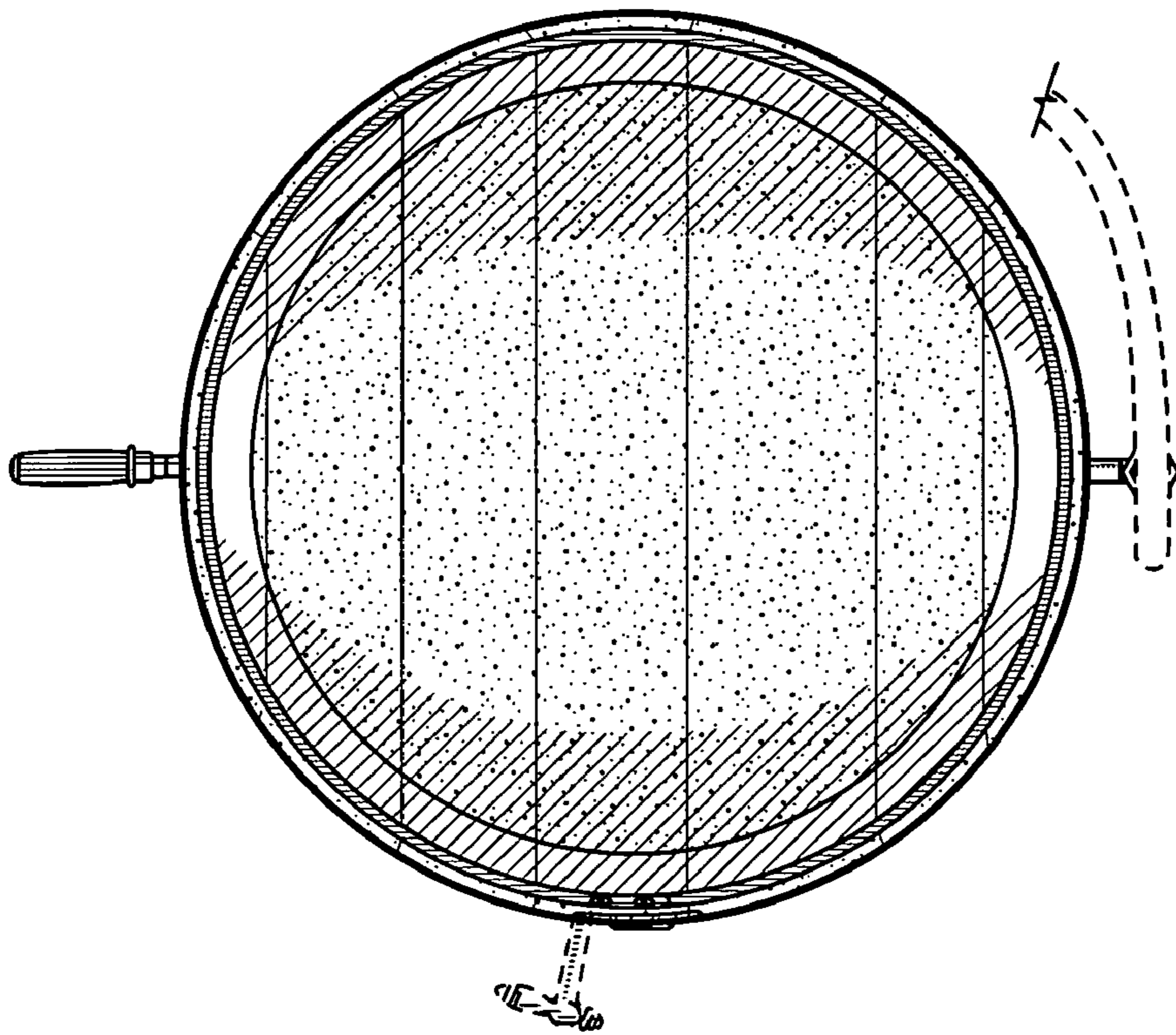


FIG. 9