



US00D584937S

(12) **United States Design Patent**
Kovacik et al.

(10) **Patent No.:** **US D584,937 S**
(45) **Date of Patent:** **** Jan. 20, 2009**

(54) **CORD REEL**
(75) Inventors: **James D. Kovacik**, Brecksville, OH (US); **Paul S. Blanch**, Broadview Heights, OH (US); **Joseph J. Smith**, Wooster, OH (US)

(73) Assignee: **Alert Safety Lite Products Co., Inc.**, Bedford Heights, OH (US)

(**) Term: **14 Years**

(21) Appl. No.: **29/276,624**

(22) Filed: **Jan. 31, 2007**

2,927,170 A	3/1960	Brown
2,977,427 A	3/1961	Benjamin
3,041,005 A	6/1962	Wallace
3,099,415 A	7/1963	Matsura
3,182,139 A *	5/1965	Meletti 242/385.1
3,201,060 A	8/1965	Bluhm et al.
3,322,372 A	5/1967	Hellstrom
3,481,557 A	12/1969	Miller
3,528,644 A	9/1970	Scott
3,536,275 A	10/1970	Salomon
3,547,371 A	12/1970	Gruseck
3,568,947 A	3/1971	Oprins
3,619,518 A	11/1971	Blanch et al.
3,702,157 A	11/1972	Thomas
D226,165 S	1/1973	Miller
3,715,526 A	2/1973	Blanch et al.

(51) **LOC (9) Cl.** **08-05**
(52) **U.S. Cl.** **D8/358**
(58) **Field of Classification Search** D8/381, D8/380, 373, 363, 359, 358, 354, 350, 349; D34/17; D14/253; D13/154, 137.4; D12/211; D10/72; 33/769; 248/264, 251, 916; 242/608.8, 242/608.4, 601, 600, 570, 395, 370, 385.1; 137/355.27, 355.23; 104/113
See application file for complete search history.

(56) **References Cited**

U.S. PATENT DOCUMENTS

1,342,015 A	6/1920	Cuno
1,357,900 A	11/1920	Redmon et al.
1,362,344 A	12/1920	Oakley
1,364,805 A	1/1921	Redmon et al.
1,675,140 A	6/1928	Schenderlein
1,689,098 A	10/1928	Wyman
1,691,400 A	11/1928	Mitchell
1,807,582 A	6/1931	Brown
2,049,086 A	7/1936	Shingleton
2,178,192 A	10/1939	Tolliver
2,232,580 A	2/1941	Wickemeyer
2,250,171 A	7/1941	Wilkins
2,323,275 A	6/1943	Lofgrem
D147,372 S	8/1947	Marsh
2,453,407 A	11/1948	Burns
2,856,470 A	11/1958	Hyde
2,926,865 A	3/1960	Humphreys

(Continued)

FOREIGN PATENT DOCUMENTS

EP 0185932 A1 11/1985

OTHER PUBLICATIONS

Suncast Catalog, p. 3, hose reels Aug. 15, 1995.

Primary Examiner—Susan B Hattan
(74) *Attorney, Agent, or Firm*—Fraser Clemens Martin & Miller LLC; William J. Clemens

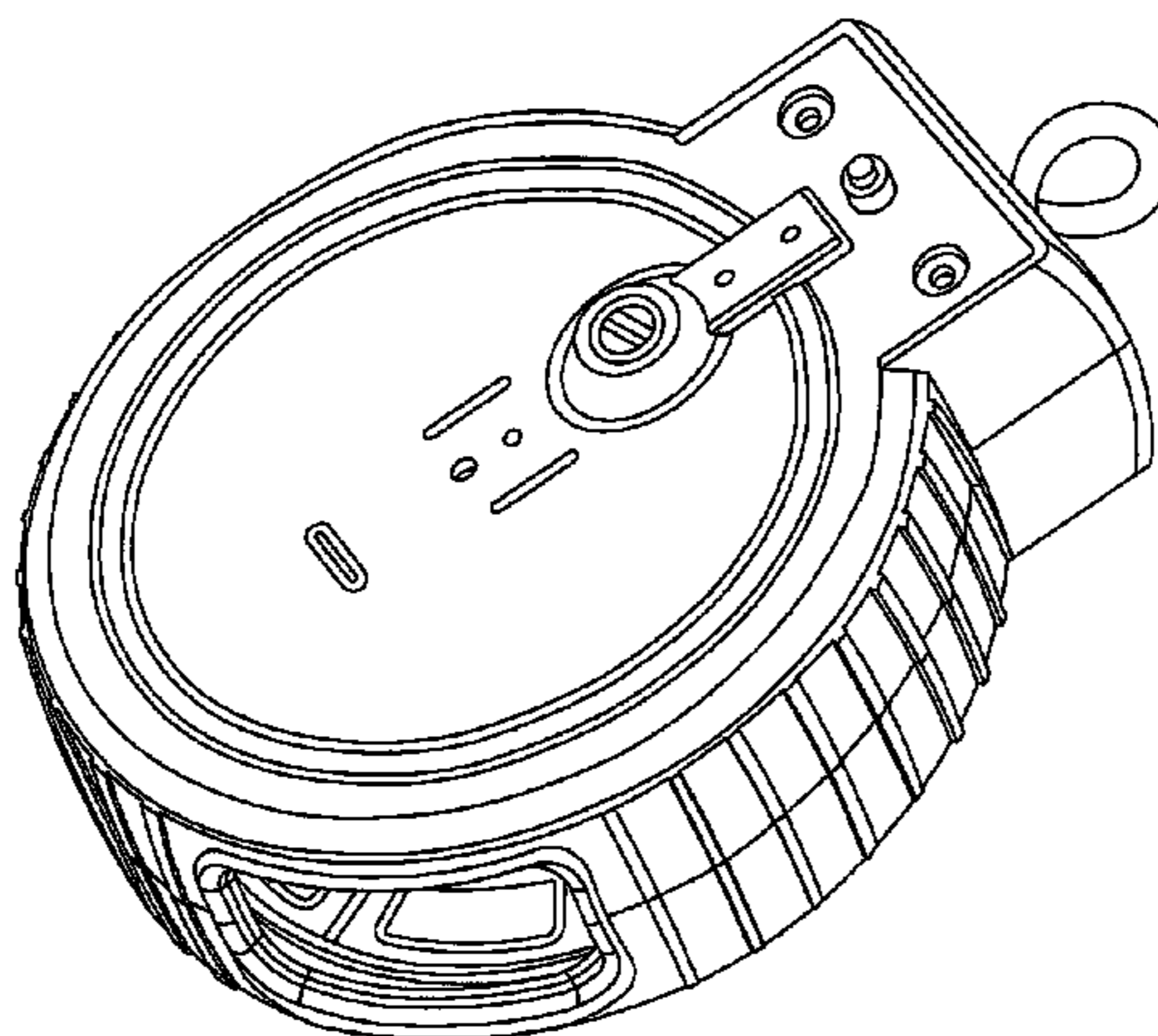
(57) **CLAIM**

The ornamental design for a cord reel, as shown.

DESCRIPTION

FIG. 1 is a front perspective view of a cord reel of the present invention;
FIG. 2 is a front elevation view thereof;
FIG. 3 is a left side elevation view thereof;
FIG. 4 is a rear elevation view thereof;
FIG. 5 is a right side elevation view thereof;
FIG. 6 is a top plan view thereof; and,
FIG. 7 is a bottom plan view thereof.

1 Claim, 4 Drawing Sheets



US D584,937 S

U.S. PATENT DOCUMENTS					
3,743,209 A	7/1973	Anderson	5,158,450 A	10/1992	Horita et al.
3,808,382 A	4/1974	Blanch et al.	5,209,420 A	5/1993	Simmons et al.
3,826,879 A	7/1974	Penn et al.	5,308,011 A	5/1994	Roman
D233,411 S	10/1974	Geisler	D351,333 S	10/1994	Nelson et al.
3,846,887 A	11/1974	Woods et al.	D352,449 S	11/1994	Rosine
3,876,073 A	4/1975	Herbetko	D352,928 S	11/1994	Ford
3,880,378 A	4/1975	Ballenger	5,381,820 A	1/1995	Chandler
3,904,843 A	9/1975	Kendecky	5,392,808 A	2/1995	Pierce
3,908,277 A	9/1975	Rutly	D360,530 S	7/1995	Bobeczko
4,008,791 A	2/1977	Shafii-Kahany et al.	D374,166 S	10/1996	Czerwinski et al.
4,061,290 A	12/1977	Harrill	D377,447 S	1/1997	Blye
4,083,621 A	4/1978	Davidson et al.	D379,425 S	5/1997	Wright et al.
4,128,215 A	12/1978	Underwood	5,636,808 A	6/1997	Colin
4,133,416 A	1/1979	Deurloo	5,645,147 A	7/1997	Kovacik et al.
4,138,177 A	2/1979	Van Valer	5,662,193 A	9/1997	Ness
4,150,798 A	4/1979	Aragon	5,666,992 A	9/1997	Robins
4,154,324 A	5/1979	Upton et al.	D384,878 S	10/1997	Kovacik et al.
4,244,536 A	1/1981	Harrill	D390,449 S	2/1998	Whitehead et al.
D260,073 S	8/1981	Wells	D391,549 S	3/1998	Ness
4,282,954 A	8/1981	Hill	5,732,733 A	3/1998	Negus et al.
4,300,665 A	11/1981	Arechaga	5,782,412 A	7/1998	Plantz et al.
4,338,497 A	7/1982	Drew	5,787,923 A	8/1998	Shea et al.
4,350,850 A	9/1982	Kovacik et al.	5,816,981 A	10/1998	Hung
4,368,858 A	1/1983	Salomon	5,826,608 A	10/1998	Pierce
4,378,473 A	3/1983	Noorigian	D404,286 S	1/1999	Plantz et al.
4,406,422 A	9/1983	Philips	D408,720 S	4/1999	Sheng
4,407,460 A	10/1983	Khudaverdian	5,890,456 A	4/1999	Tancrede
D273,559 S	4/1984	Butler	5,934,598 A	8/1999	Kovacik et al.
D275,263 S	8/1984	Cutler	D419,426 S	1/2000	Kovacik et al.
4,467,979 A	8/1984	Koehler	D422,197 S	4/2000	Kovacik et al.
4,483,491 A	11/1984	Rainey	6,059,081 A	5/2000	Patterson et al.
4,489,902 A	12/1984	Chaconas et al.	6,105,605 A	8/2000	Helm et al.
4,506,698 A	3/1985	Garcia et al.	D431,179 S	9/2000	Kovacik et al.
4,512,361 A	4/1985	Tisbo et al.	D432,084 S	10/2000	Miller
4,520,239 A	5/1985	Schwartz	D434,000 S *	11/2000	Miller D13/137.4
4,534,520 A	8/1985	Yanagihara	6,170,775 B1	1/2001	Kovacik et al.
4,542,858 A	9/1985	Manges	6,186,433 B1	2/2001	Kovacik et al.
4,543,982 A	10/1985	Wolfe	D442,551 S	5/2001	Stekelenburg
4,586,676 A	5/1986	Johnston et al.	D443,590 S	6/2001	Vende
D285,901 S	9/1986	Gustavsson	6,273,354 B1	8/2001	Kovacik et al.
D286,134 S	10/1986	Schwartz	D448,651 S	10/2001	Kovacik et al.
D286,503 S	11/1986	Bobrovniczky	D448,985 S	10/2001	Kovacik et al.
4,653,833 A	3/1987	Czubernat et al.	D449,513 S	10/2001	Stekelenburg
D289,492 S	4/1987	Clivio et al.	D449,974 S	11/2001	Stekelenburg
4,656,320 A	4/1987	Maddock	D456,242 S	4/2002	Stekelenburg
D289,603 S	5/1987	An	D457,806 S	5/2002	Stekelenburg
4,713,497 A	12/1987	Smith	D459,649 S	7/2002	Lai
4,721,833 A	1/1988	Dubay	6,439,360 B1 *	8/2002	Miller 191/12.2 R
4,725,697 A	2/1988	Kovacik et al.	6,457,669 B1	10/2002	Chuang
4,726,538 A	2/1988	Kovacik et al.	6,470,590 B1	10/2002	Lee
D296,661 S	7/1988	Kovacik et al.	D468,189 S	1/2003	Kovacik et al.
4,759,560 A	7/1988	Virgulti	D475,277 S	6/2003	Wu
4,768,546 A	9/1988	Brusadin et al.	D475,609 S	6/2003	Lin
4,777,976 A	10/1988	Johnston et al.	D476,879 S	7/2003	Chu
D298,799 S	12/1988	Saulnier et al.	6,588,444 B2	7/2003	Paplow et al.
4,903,911 A	2/1990	Sepke	D479,979 S	9/2003	Kovacik et al.
D312,204 S	11/1990	Nelson	D481,009 S	10/2003	Stekelenburg
D313,165 S	12/1990	Kovacik et al.	D482,326 S	11/2003	Stekelenburg
D313,166 S	12/1990	Kovacik et al.	6,651,943 B2	11/2003	Cho et al.
D313,167 S	12/1990	Kovacik et al.	D488,448 S	4/2004	Ranger
D316,030 S	4/1991	Adielsson	D490,693 S	6/2004	McMillan
5,014,925 A	5/1991	Cump	D491,444 S	6/2004	Nicholls
D318,941 S	8/1991	Avery	6,766,821 B1	7/2004	Kovacik et al.
5,046,520 A	9/1991	Sanchez, Jr. et al.	D496,253 S	9/2004	Kovacik et al.
5,056,553 A	10/1991	Whitehead et al.	D496,255 S	9/2004	Kovacik et al.
5,086,988 A	2/1992	LaPoint et al.	D504,606 S	5/2005	Kovacik et al.
5,094,396 A	3/1992	Burke	6,889,701 B2	5/2005	Kovacik et al.
5,101,082 A	3/1992	Simmons et al.	D511,294 S	11/2005	Kovacik et al.
D330,506 S	10/1992	Clivio			

* cited by examiner

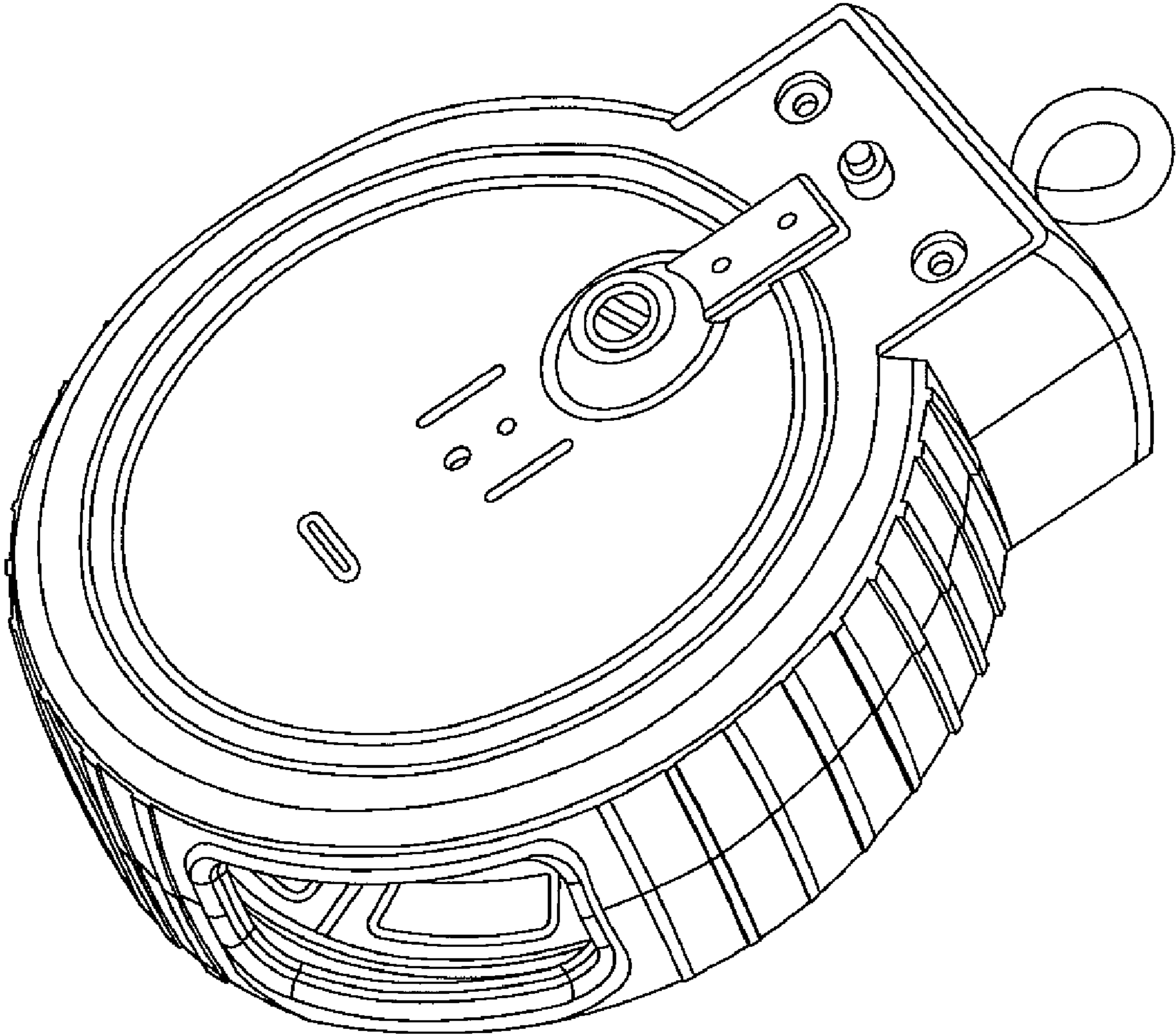


Fig. 1

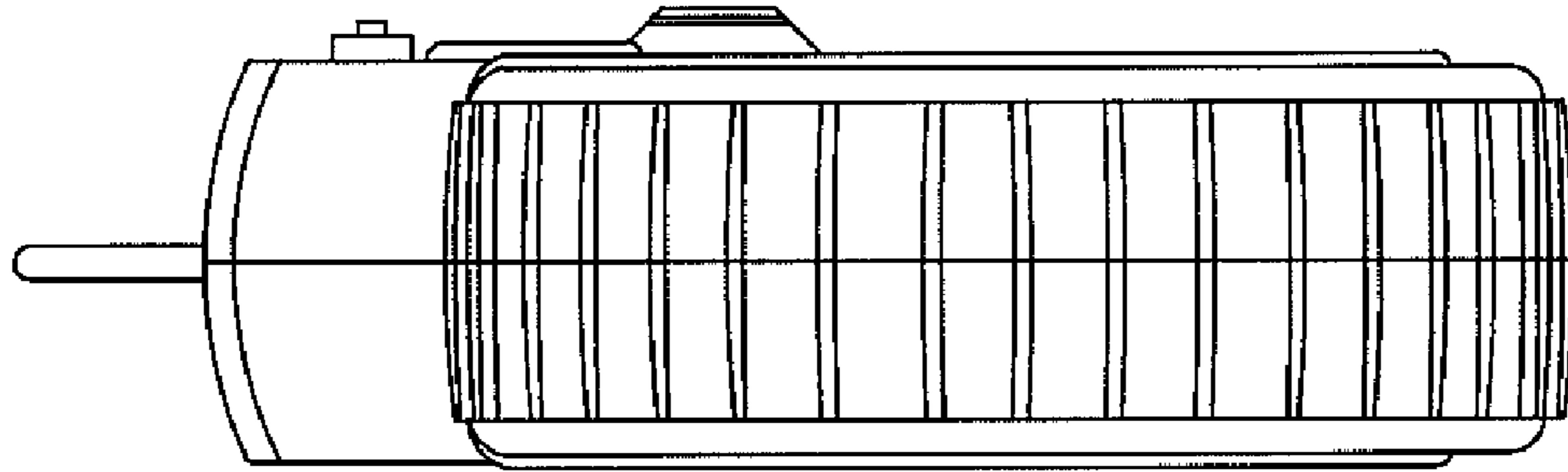


Fig. 3

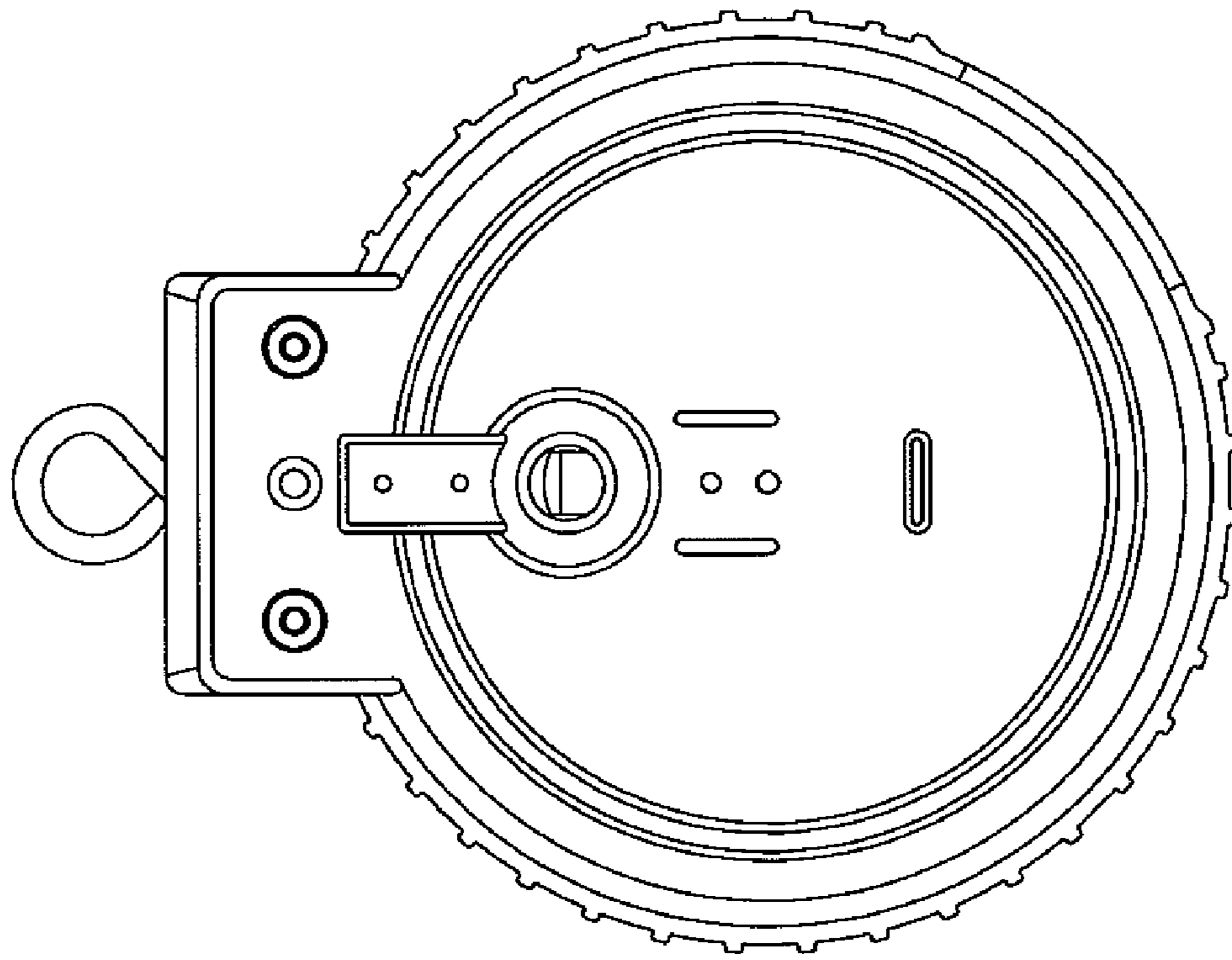


Fig. 2

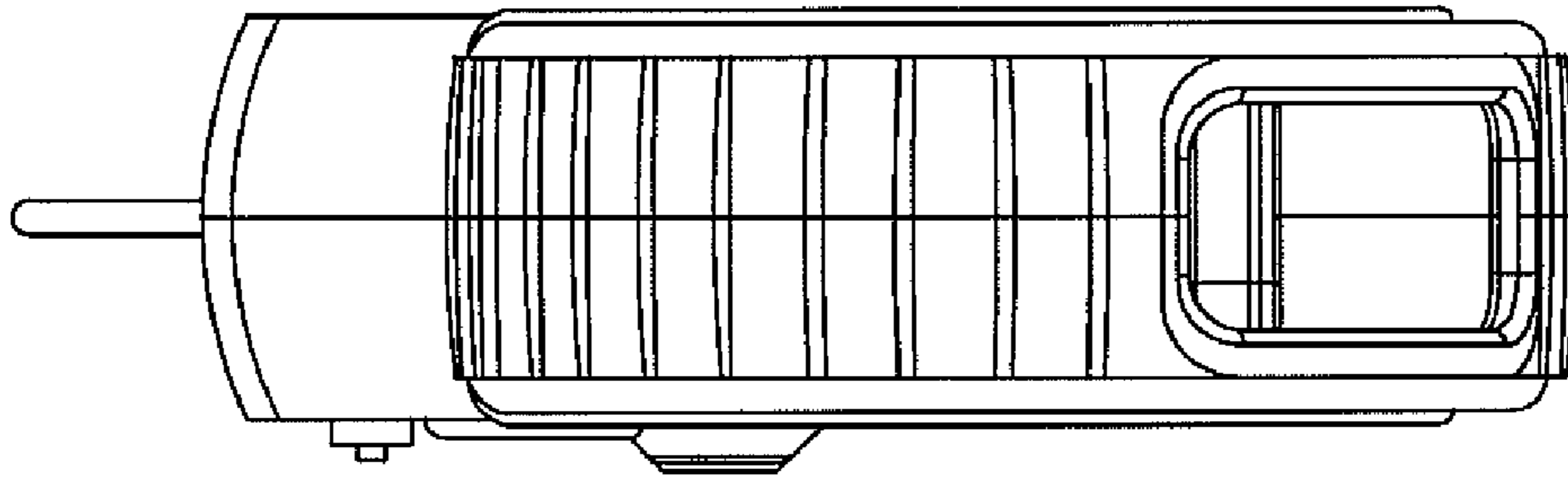


Fig. 5

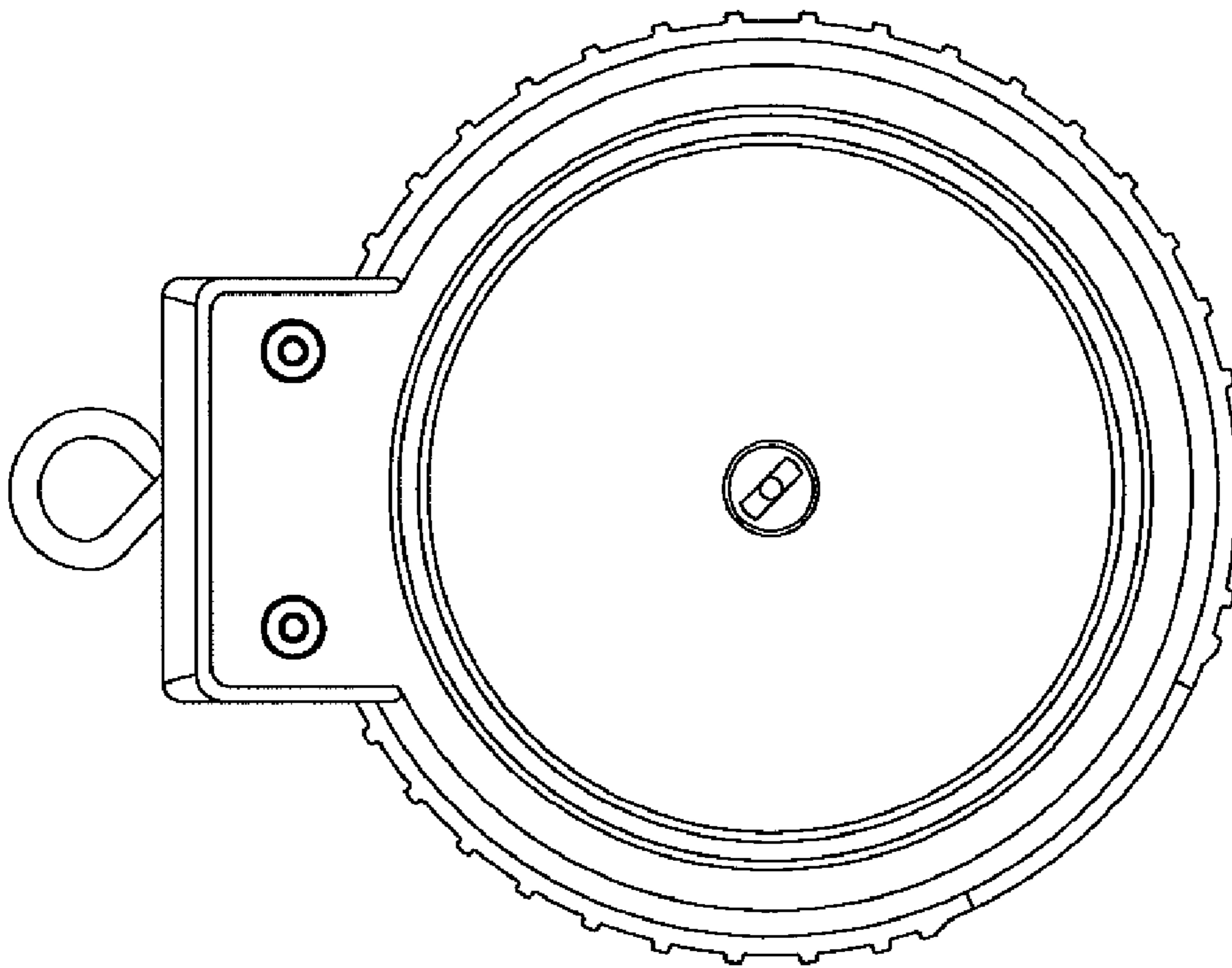


Fig. 4

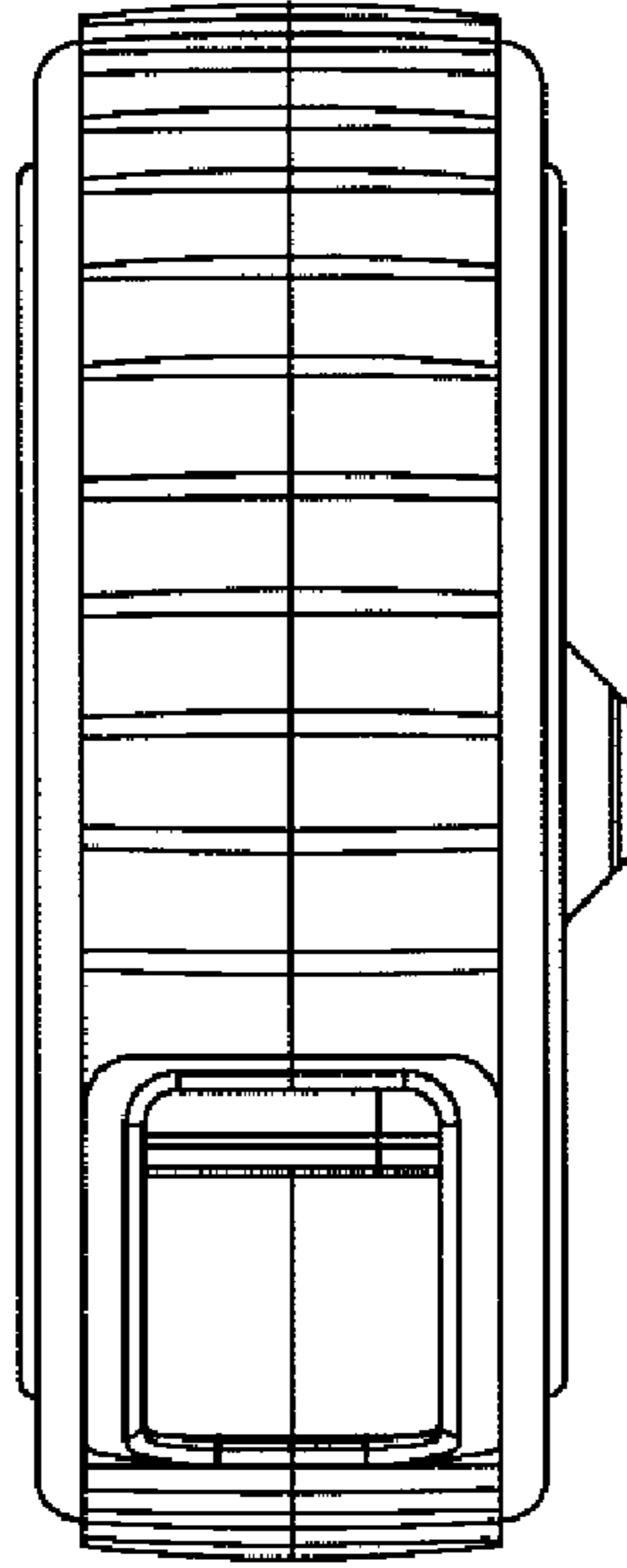


Fig. 7

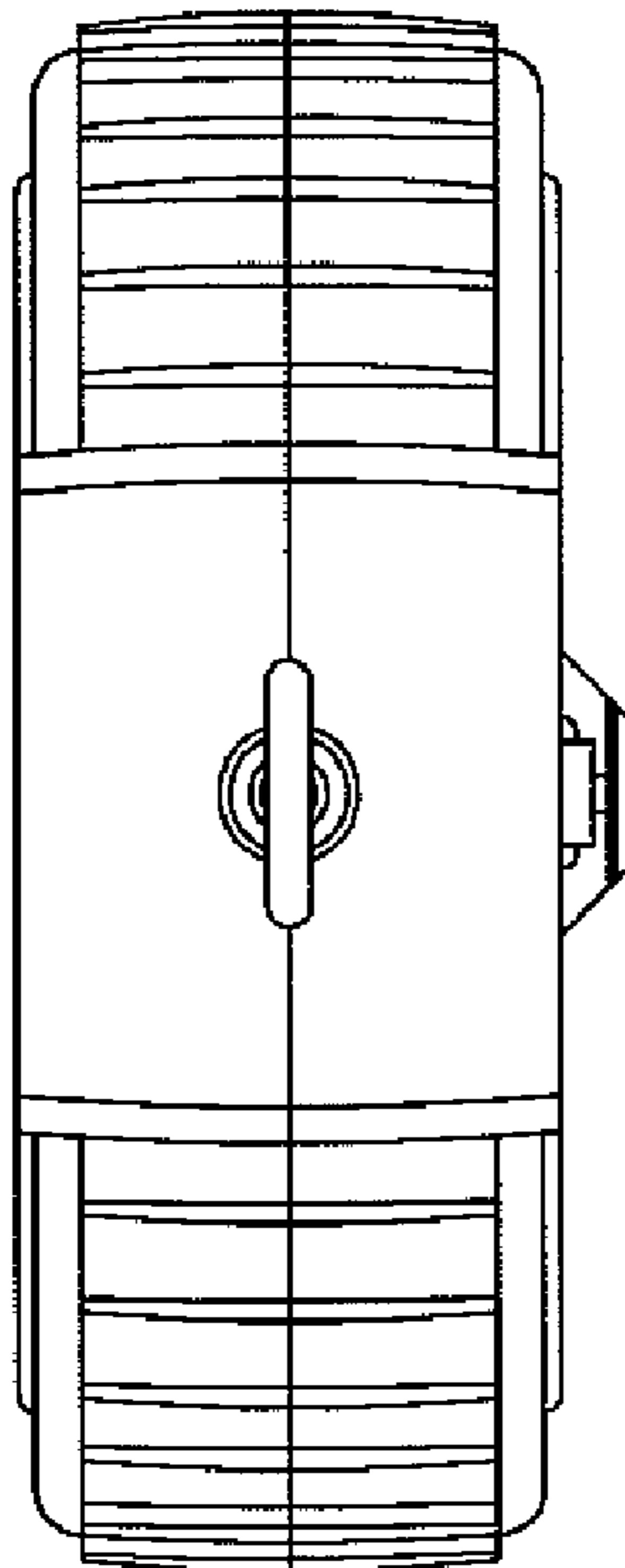


Fig. 6