



US00D584936S

(12) **United States Design Patent**
Ricereto

(10) **Patent No.:** **US D584,936 S**
(45) **Date of Patent:** **** Jan. 20, 2009**

- (54) **PULL**
- (75) Inventor: **Michael Hart Ricereto**, Baltimore, MD (US)
- (73) Assignee: **Newell Operating Company**, Atlanta, GA (US)
- (**) Term: **14 Years**
- (21) Appl. No.: **29/305,761**
- (22) Filed: **Mar. 27, 2008**

D361,496 S * 8/1995 Chieda D8/317
 D361,497 S * 8/1995 Chieda D8/317
 D361,498 S * 8/1995 Chieda D8/317

(Continued)

Primary Examiner—Stella M Reid
Assistant Examiner—Mark A Goodwin
 (74) *Attorney, Agent, or Firm*—Banner & Witcoff, Ltd.

- (51) **LOC (9) Cl.** **08-06**
- (52) **U.S. Cl.** **D8/315**
- (58) **Field of Classification Search** D8/300–303, D8/305–321, DIG. 1, DIG. 2, DIG. 10; D7/393, D7/394; D3/318; D6/549, 524, 533, 550; D23/250–254, 303, 305; D15/89; 292/347; 211/16, 182; 220/752–754; 16/441, 118, 16/110 R, 111 R, DIG. 19, DIG. 30, 110.1, 16/412, 414–420, 443–446
 See application file for complete search history.

(57) **CLAIM**

I claim the ornamental design for a pull, as shown and described.

DESCRIPTION

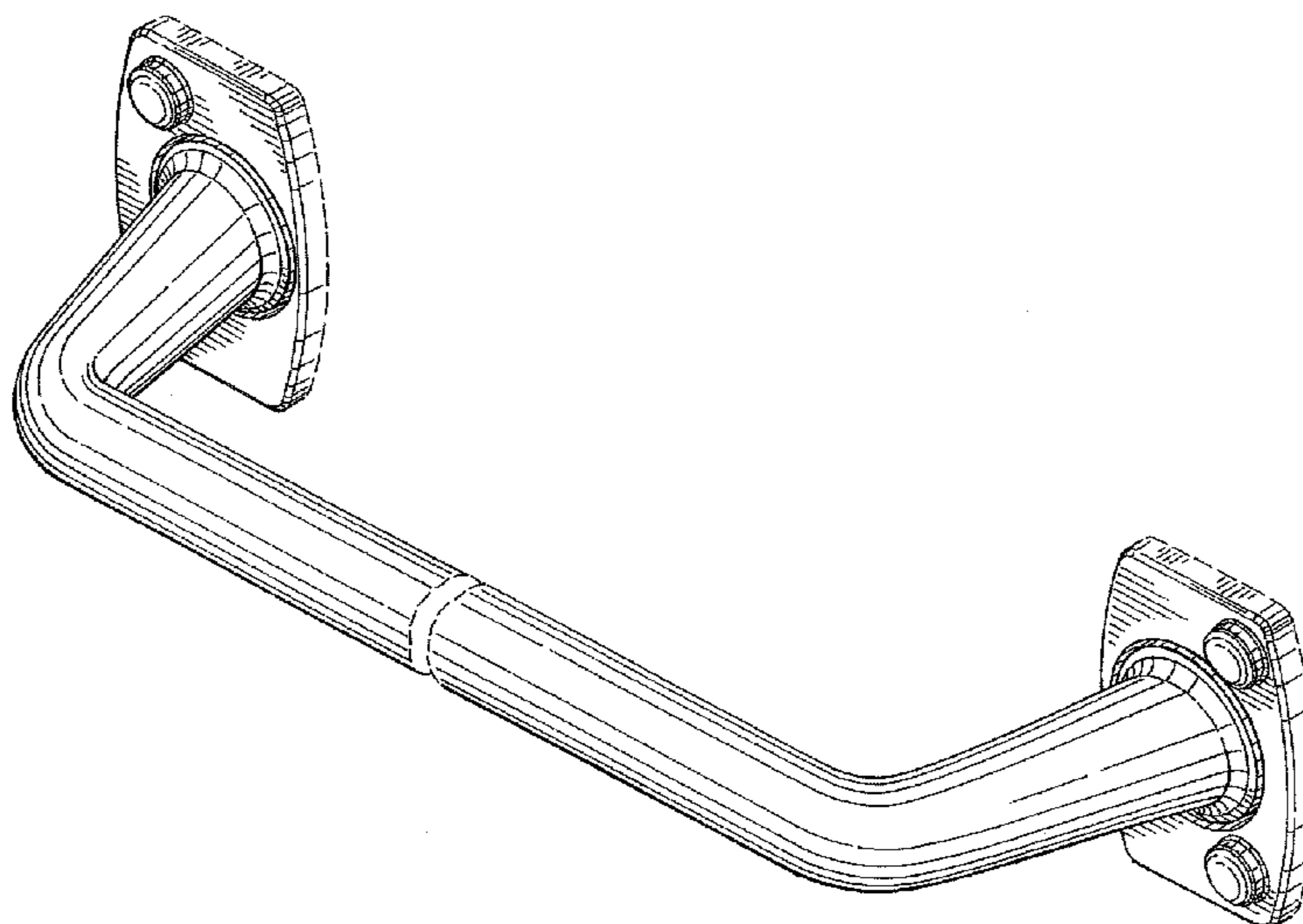
FIG. 1 is a top front perspective view of a pull showing my new design;
 FIG. 2 is a front view of the pull shown in FIG. 1;
 FIG. 3 is a side view of the pull shown in FIG. 1, the opposite side view being identical thereto;
 FIG. 4 is a top view of the pull shown in FIG. 1, the opposite bottom view being identical thereto;
 FIG. 5 is a rear view of the pull shown in FIG. 1;
 FIG. 6 is a top front perspective view of a second embodiment of a pull showing my new design;
 FIG. 7 is a front view of the pull shown in FIG. 6;
 FIG. 8 is a side view of the pull shown in FIG. 6, the opposite side view being identical thereto;
 FIG. 9 is a top view of the pull shown in FIG. 6, the opposite bottom view being identical thereto; and,
 FIG. 10 is a rear view of the pull shown in FIG. 6.
 Features shown in broken lines in the drawings form no part of the claimed design.
 The broken away portion in FIGS. 1, 2, 4–7, 9 and 10 has been shown to indicate indeterminate length.

(56) **References Cited**

U.S. PATENT DOCUMENTS

2,175,632	A *	10/1939	Maga	16/422
D139,316	S	10/1944	Van Prooyen		
D169,414	S	4/1953	Budai		
D200,195	S *	2/1965	Clayton	D8/316
D206,114	S *	11/1966	Morgan	D8/316
D222,232	S	10/1971	Horgan, Jr.		
D231,320	S *	4/1974	James	D8/316
D233,012	S *	10/1974	Tegner	D8/317
D236,874	S *	9/1975	Tegner	D8/317
D239,798	S *	5/1976	Vrignaud	D8/316
D254,461	S	3/1980	Tegner		
D270,994	S *	10/1983	Tegner	D8/316
D326,991	S *	6/1992	Bishop	D8/317
D333,968	S *	3/1993	Mattson et al.	D8/317
D355,835	S *	2/1995	Chieda	D8/305

1 Claim, 5 Drawing Sheets



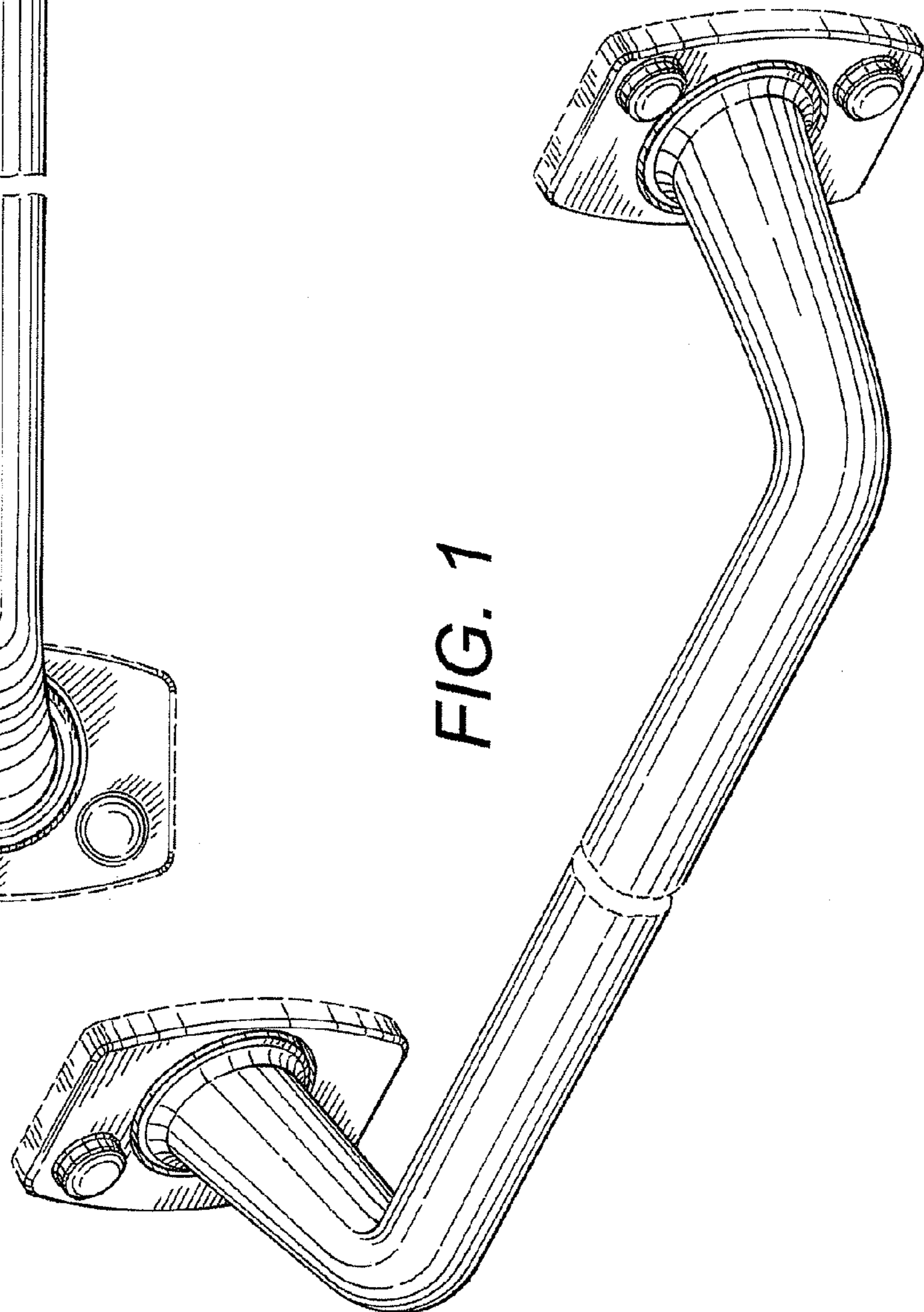
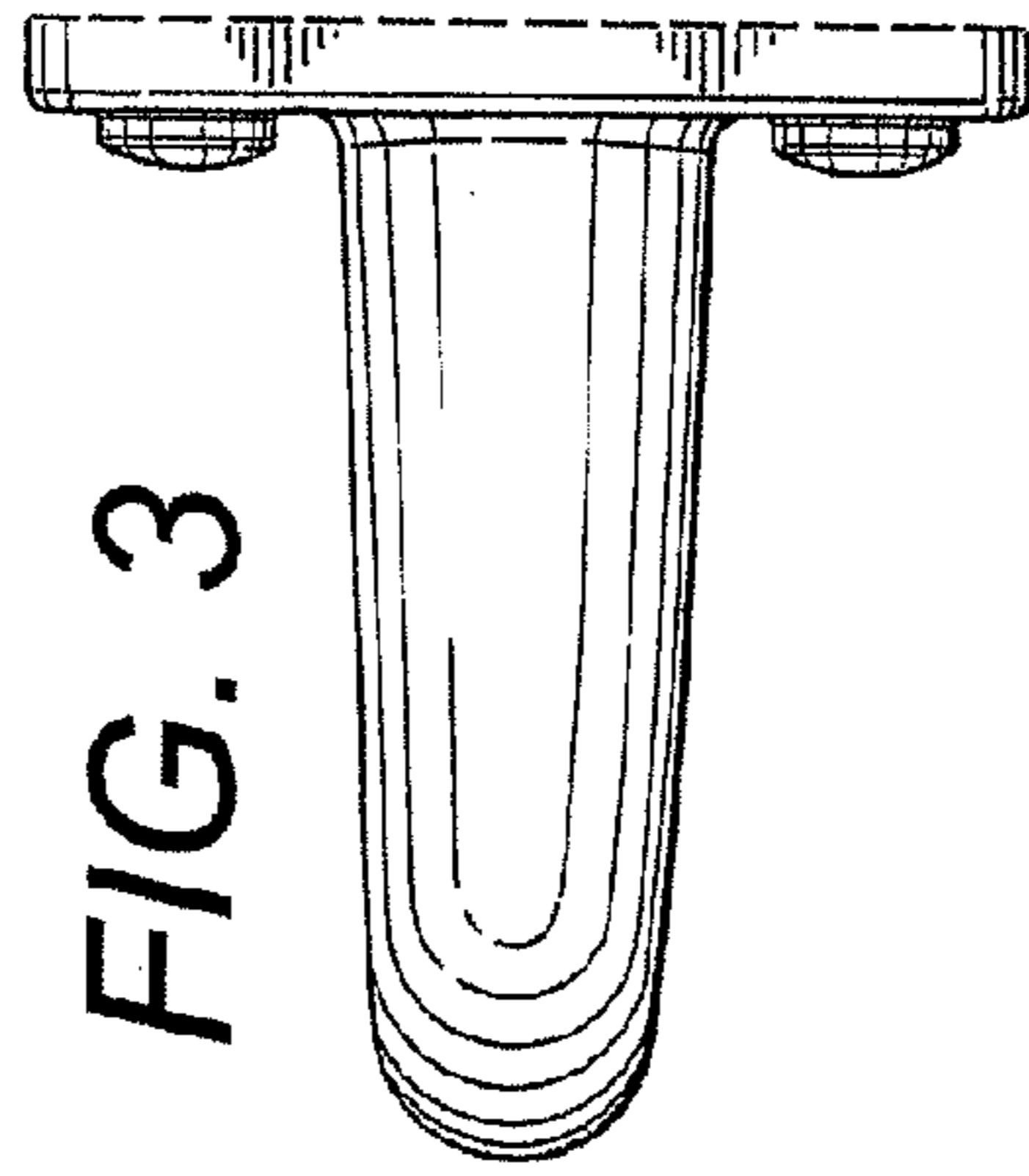
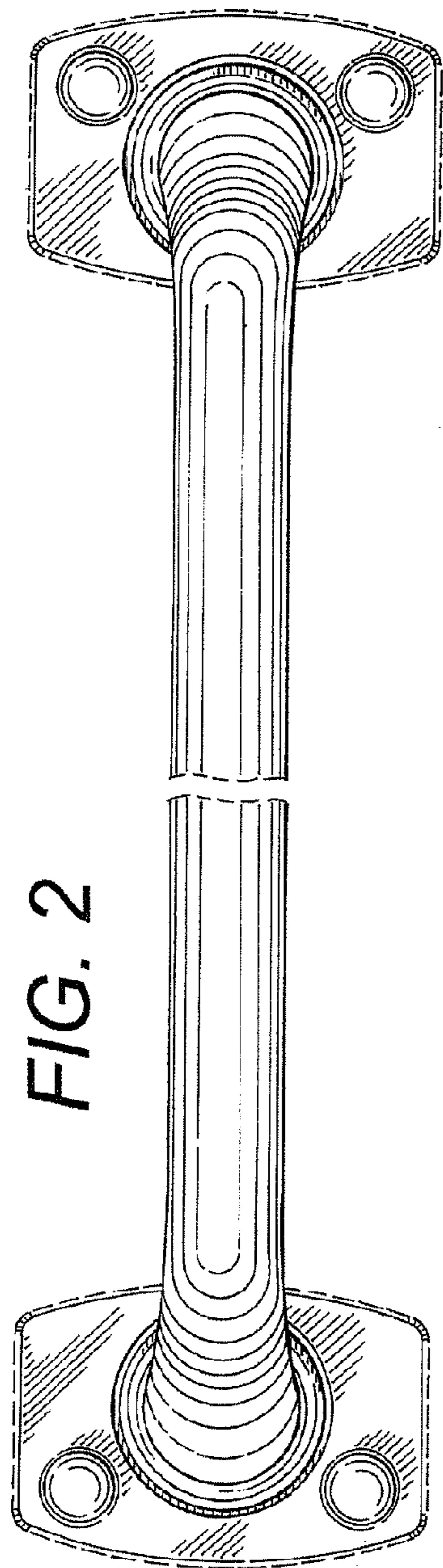
US D584,936 S

Page 2

U.S. PATENT DOCUMENTS

D361,707 S *	8/1995	Chieda	D8/305	D468,145 S	1/2003	Ouyoung	
D368,644 S	4/1996	Bishop		D494,808 S *	8/2004	Thomkins	D7/394
D369,289 S *	4/1996	Caugh et al.	D8/317	D530,590 S	10/2006	Singtoroj et al.	
D387,265 S *	12/1997	Mattson et al.	D8/316	D537,294 S *	2/2007	Levy et al.	D7/393
D399,406 S	10/1998	Decursu et al.		D540,090 S	4/2007	Chen	
D403,230 S	12/1998	Ziemer et al.		D542,118 S	5/2007	Fields	
D406,745 S *	3/1999	Burns et al.	D8/317	D543,436 S	5/2007	Ricereto	
D411,794 S *	7/1999	O'Neil	D8/305	D563,759 S	3/2008	Oliver et al.	
D422,878 S *	4/2000	Marshall et al.	D8/317	D564,856 S	3/2008	Ricereto	
D423,854 S	5/2000	Roth et al.		D569,704 S	5/2008	Ricereto	
D431,444 S	10/2000	Short		D573,868 S *	7/2008	Ricereto	D8/315
D437,202 S *	2/2001	O'Neil	D8/317				

* cited by examiner



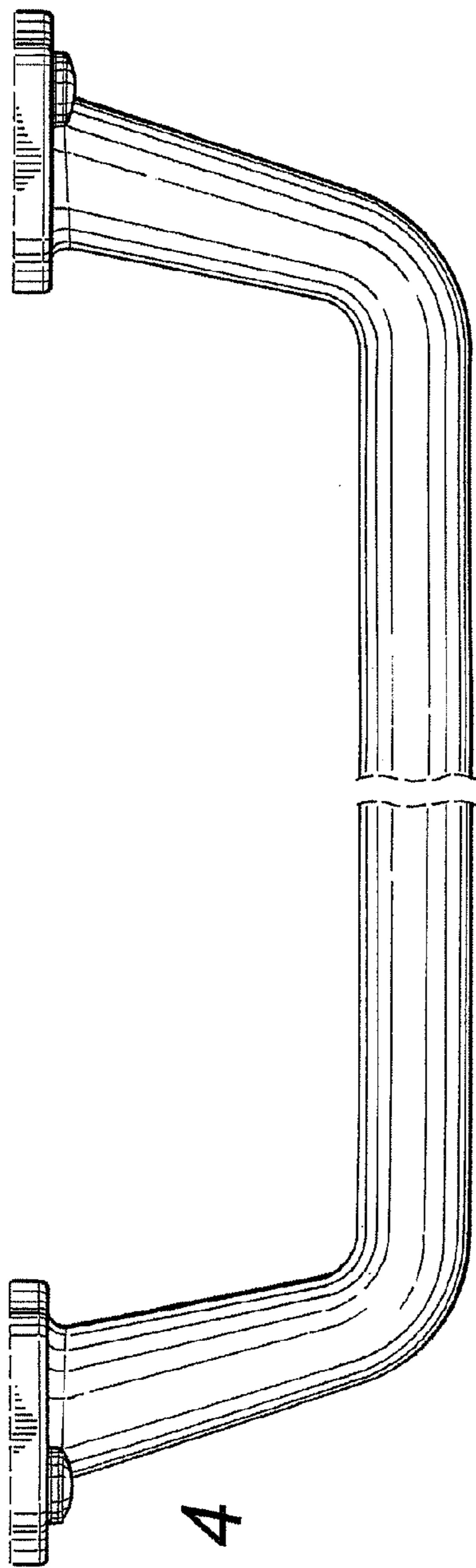


FIG. 4

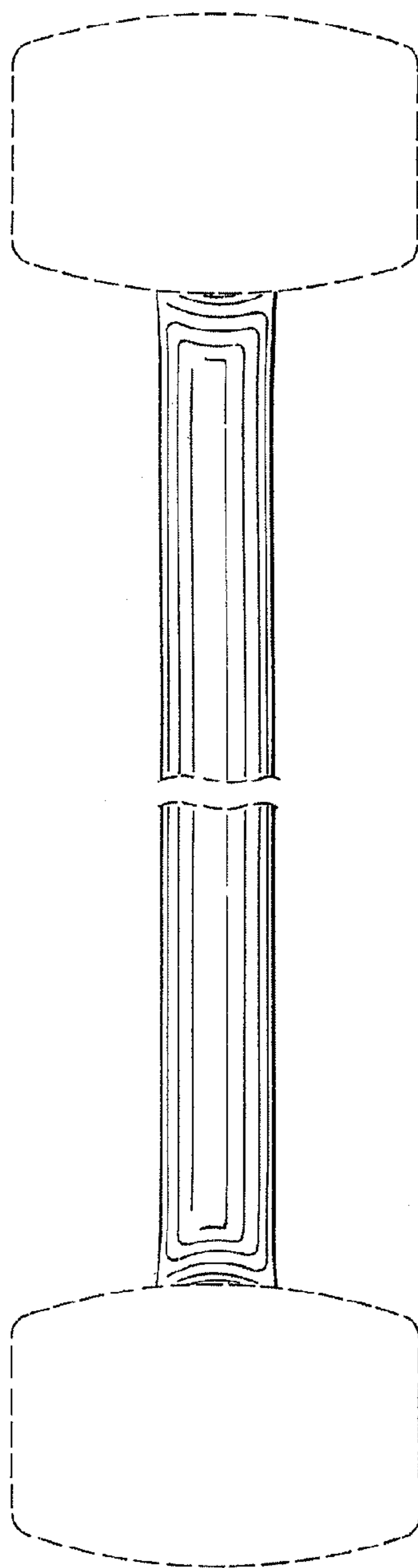


FIG. 5

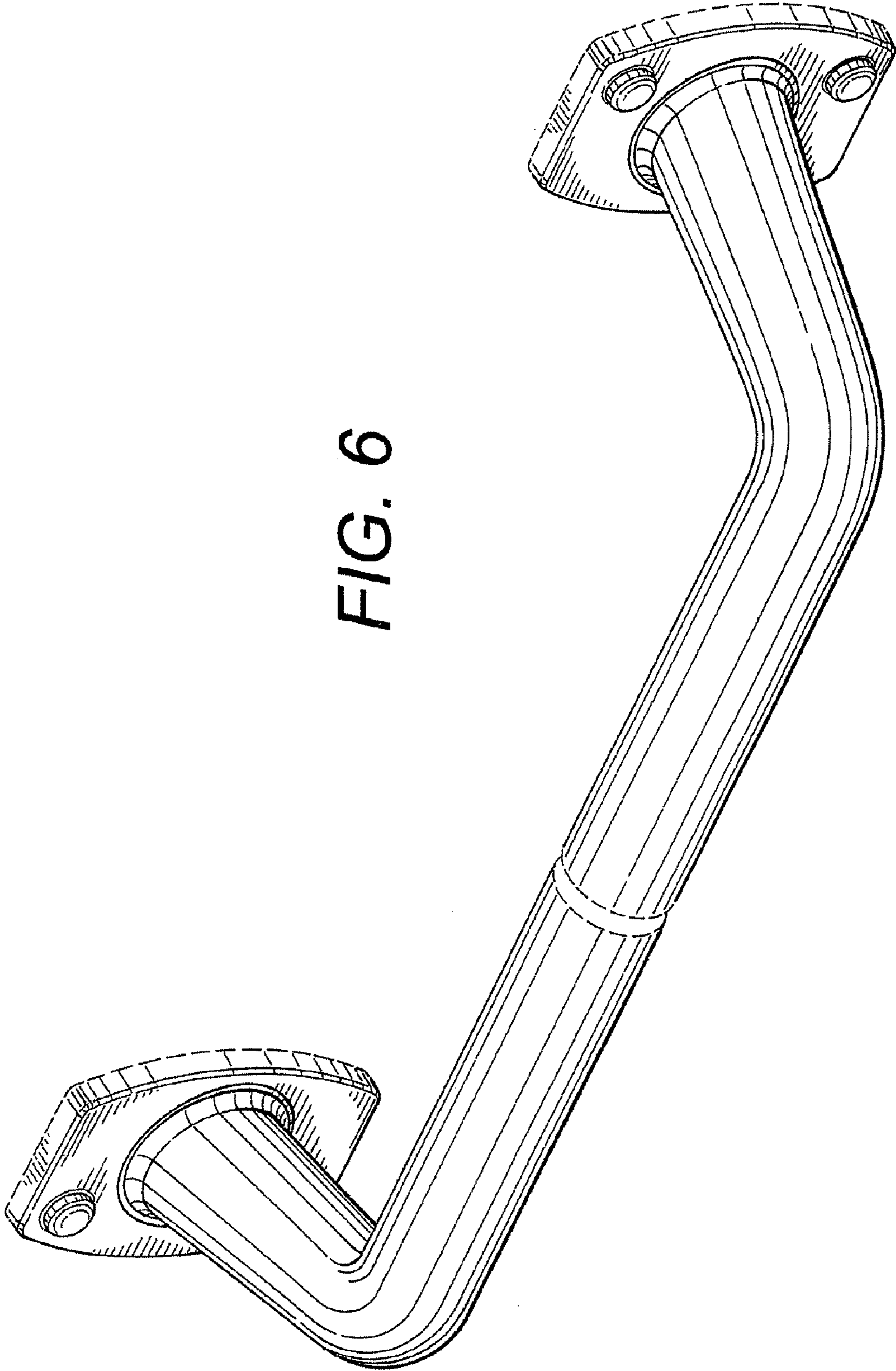


FIG. 6

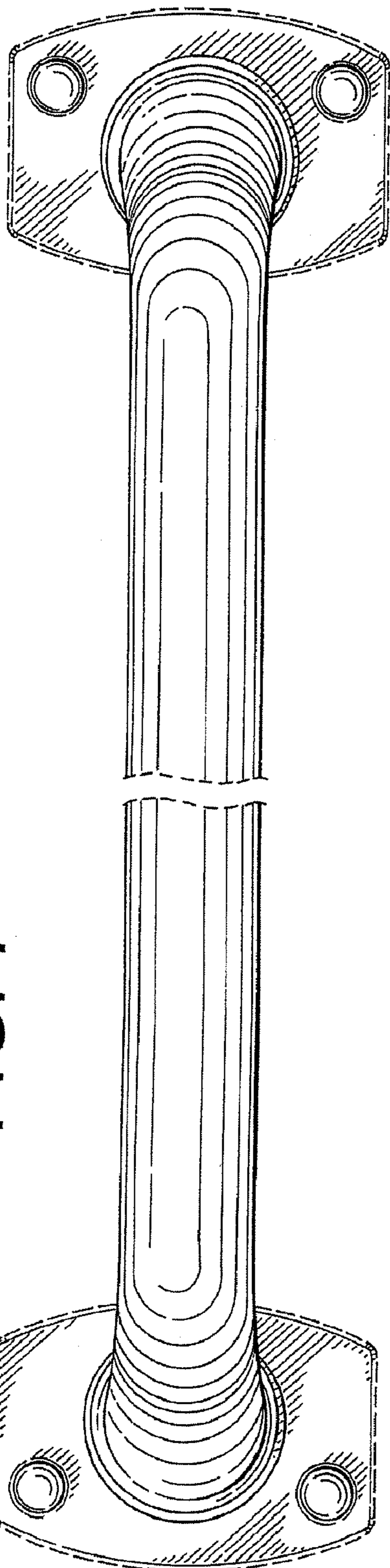


FIG. 7

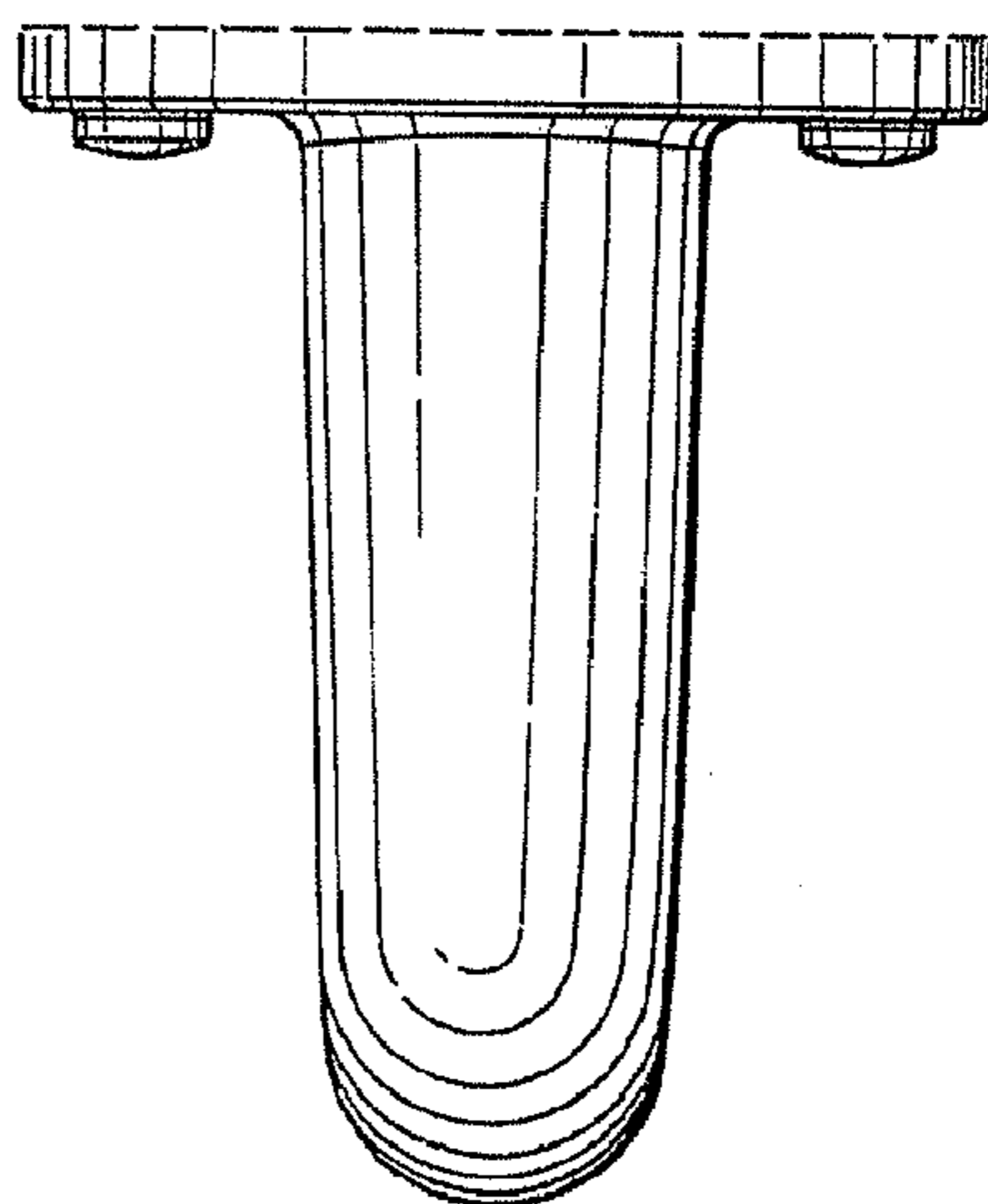


FIG. 8

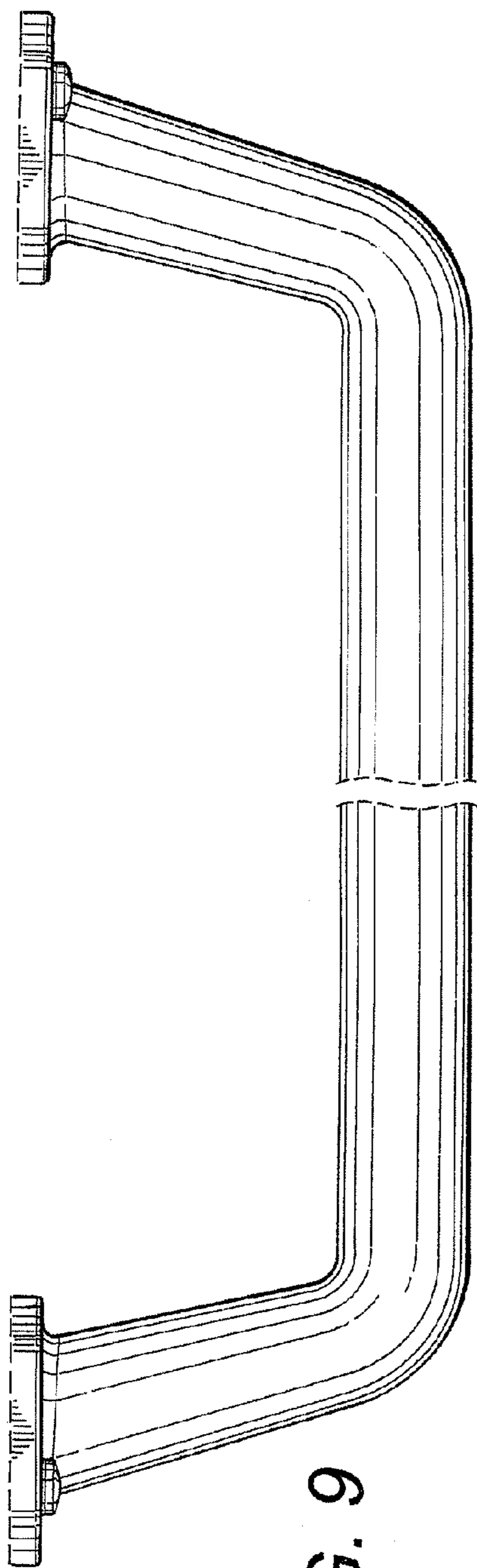


FIG. 9

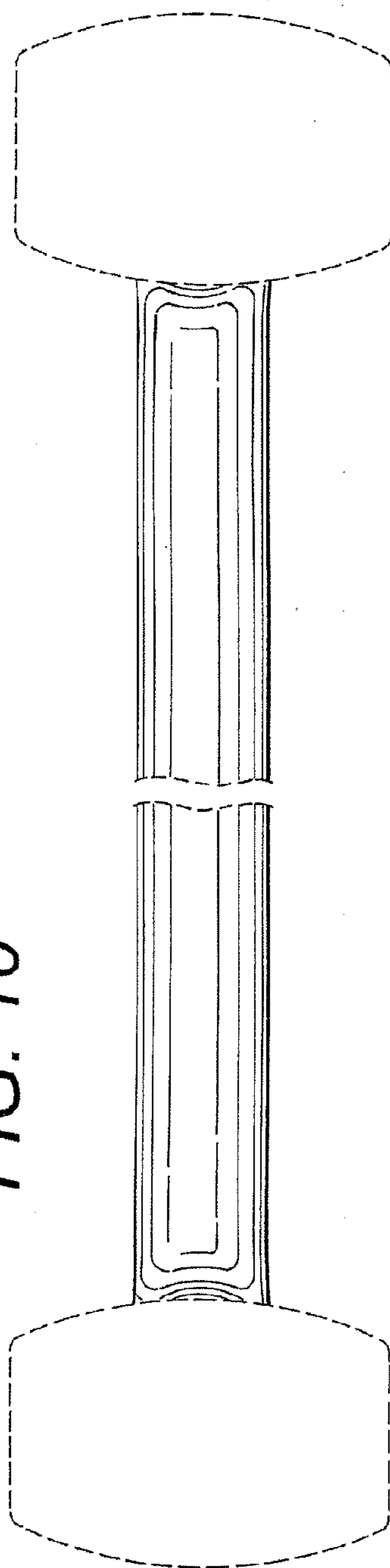


FIG. 10