



US00D584933S

(12) **United States Design Patent**
Jergenson et al.

(10) **Patent No.:** **US D584,933 S**
(45) **Date of Patent:** **** Jan. 20, 2009**

(54) **ANCHOR SET TOOL**

(75) Inventors: **Terry B. Jergenson**, 1100 Industrial Dr.,
Bismarck, ND (US) 58501; **Kevin A. Lang**, 511 20th Ave., Longview, WA
(US) 98632

(73) Assignees: **J-Sons, Inc.**, Bismarck, ND (US); **Terry B. Jergenson**, Bismarck, ND (US);
Kevin A. Lang, Longview, WA (US)

(**) Term: **14 Years**

(21) Appl. No.: **29/323,091**

(22) Filed: **Aug. 18, 2008**

(51) **LOC (9) Cl.** **08-05**

(52) **U.S. Cl.** **D8/29**

(58) **Field of Classification Search** D8/17,
D8/21-29, 52, 55, 81-87, 102-107, 98, 99,
D8/93, 94; 81/119, 121.1, 86, 124.2, 125,
81/125.1, 176.1, 176.2, 177.1, 177.2, 177.3,
81/177.85, 124.3, 124.7, 176.3, 179, 160,
81/3.57, 3.55, 58.4, 186, 58.3, 300, 58.1,
81/60-63.2, 165-170, 110.1, 124.6, 176.15,
81/121.7, 436, 437, 418, 177.8, 177.9, 185.1,
81/3.4, 177.4, 492, 57, 58, 13, 177.7, 490,
81/415-423, 427.5, 488, 489; 140/119; 16/422,
16/186, 429

See application file for complete search history.

(56) **References Cited**

U.S. PATENT DOCUMENTS

1,523,022 A * 1/1925 Larson 81/124.6
D402,517 S * 12/1998 Gracia et al. D8/29
D493,081 S * 7/2004 Chen D8/29

D525,839 S * 8/2006 Rauckman D8/29
D526,546 S * 8/2006 Jirele et al. D8/29
D567,605 S * 4/2008 Yu D8/29
2006/0254394 A1 * 11/2006 Cantlon et al. 81/125
2006/0266166 A1 * 11/2006 Weber 81/184

* cited by examiner

Primary Examiner—Raphael Barkai
Assistant Examiner—Randall H Gholson

(57) **CLAIM**

The ornamental design for an anchor set tool, as shown and described.

DESCRIPTION

FIG. 1 is an upper perspective view of an anchor set tool showing my new design.

FIG. 2 is a top view of an anchor set tool showing my new design.

FIG. 3 is a left side view of an anchor set tool showing my new design.

FIG. 4 is a bottom view of an anchor set tool showing my new design.

FIG. 5 is a right side view of an anchor set tool showing my new design.

FIG. 6 is a first end view of an anchor set tool showing my new design; and,

FIG. 7 is a second end view of an anchor set tool showing my new design.

Any shading and cross-hatching are not features of the design but are utilized to illustrate the surface contours of the anchor set tool in the drawings.

1 Claim, 7 Drawing Sheets

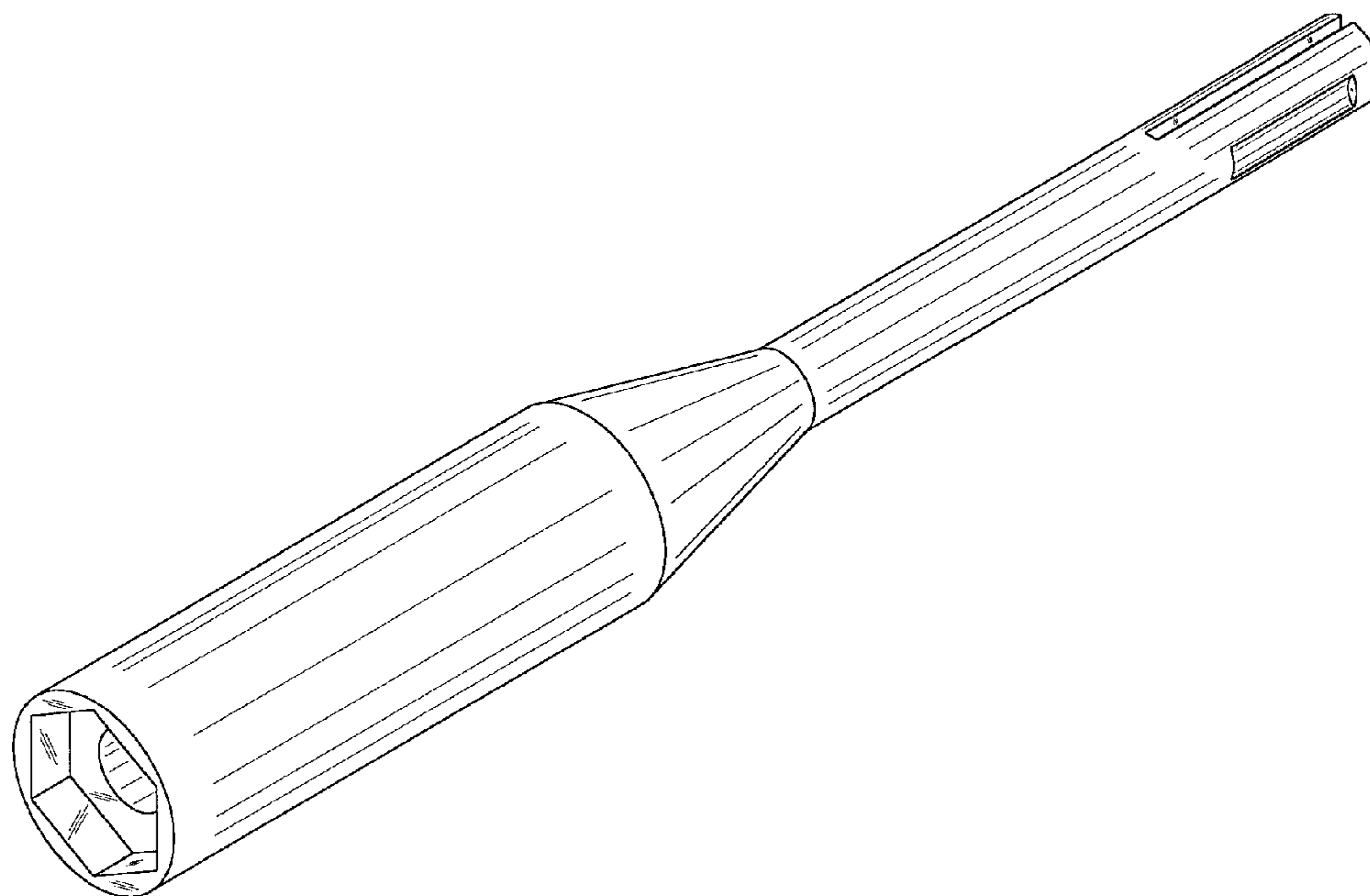


FIG. 1

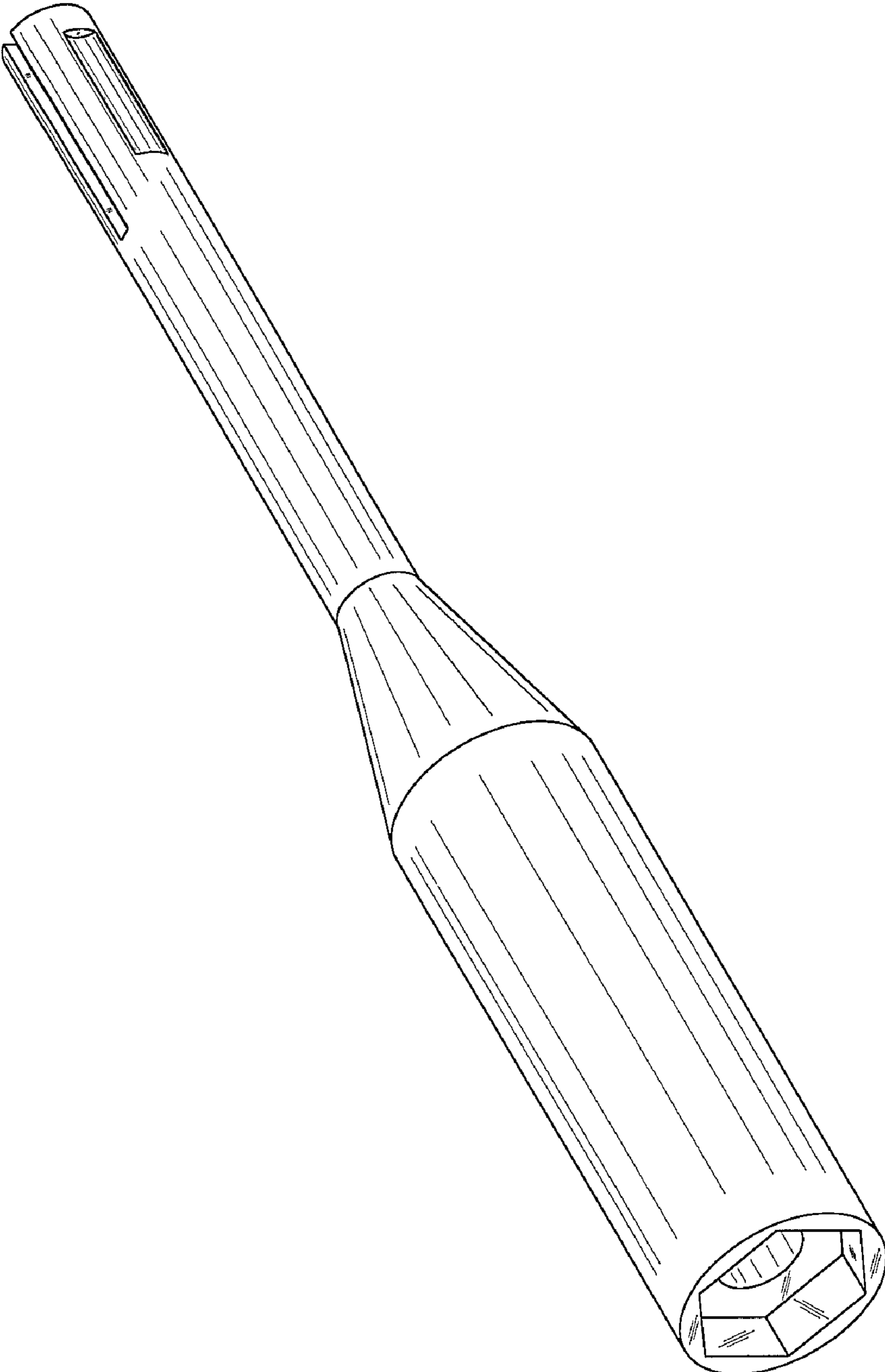


FIG. 2

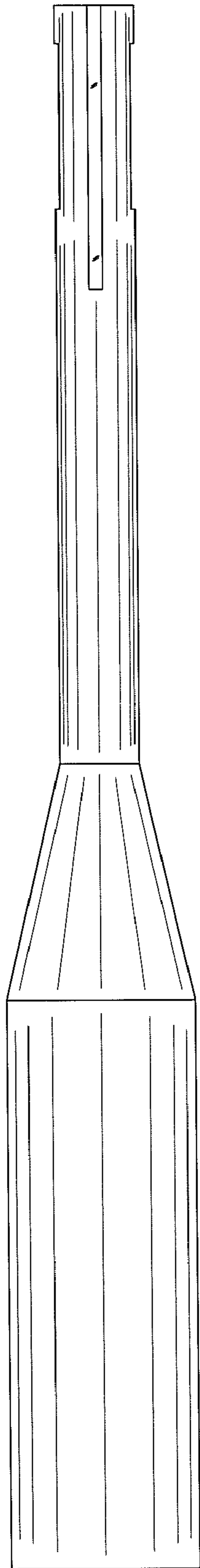


FIG. 3

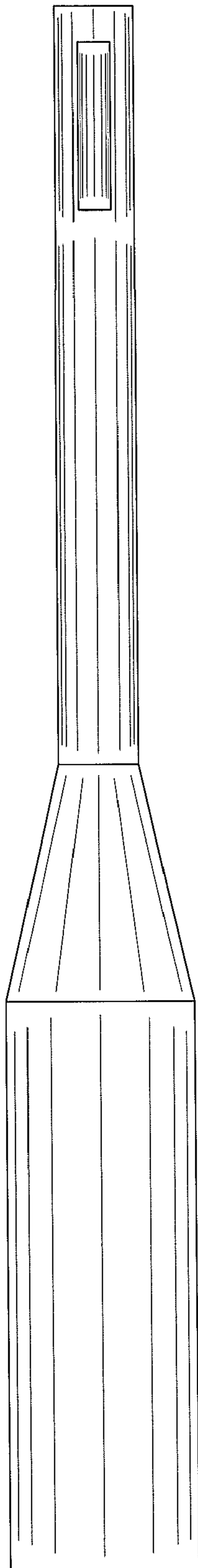


FIG. 4

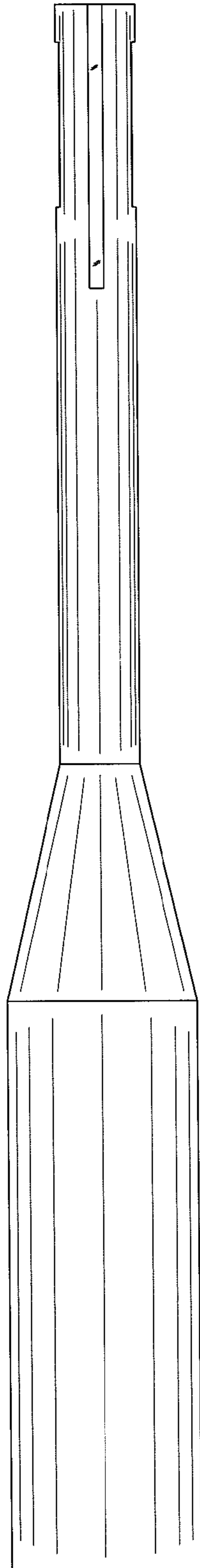


FIG. 5

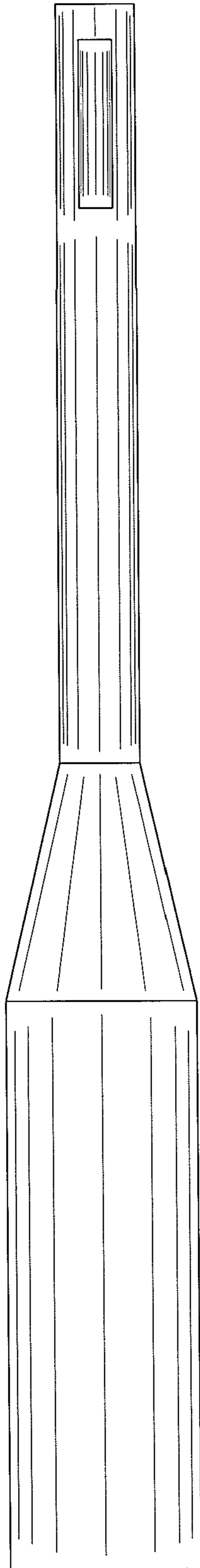


FIG. 6

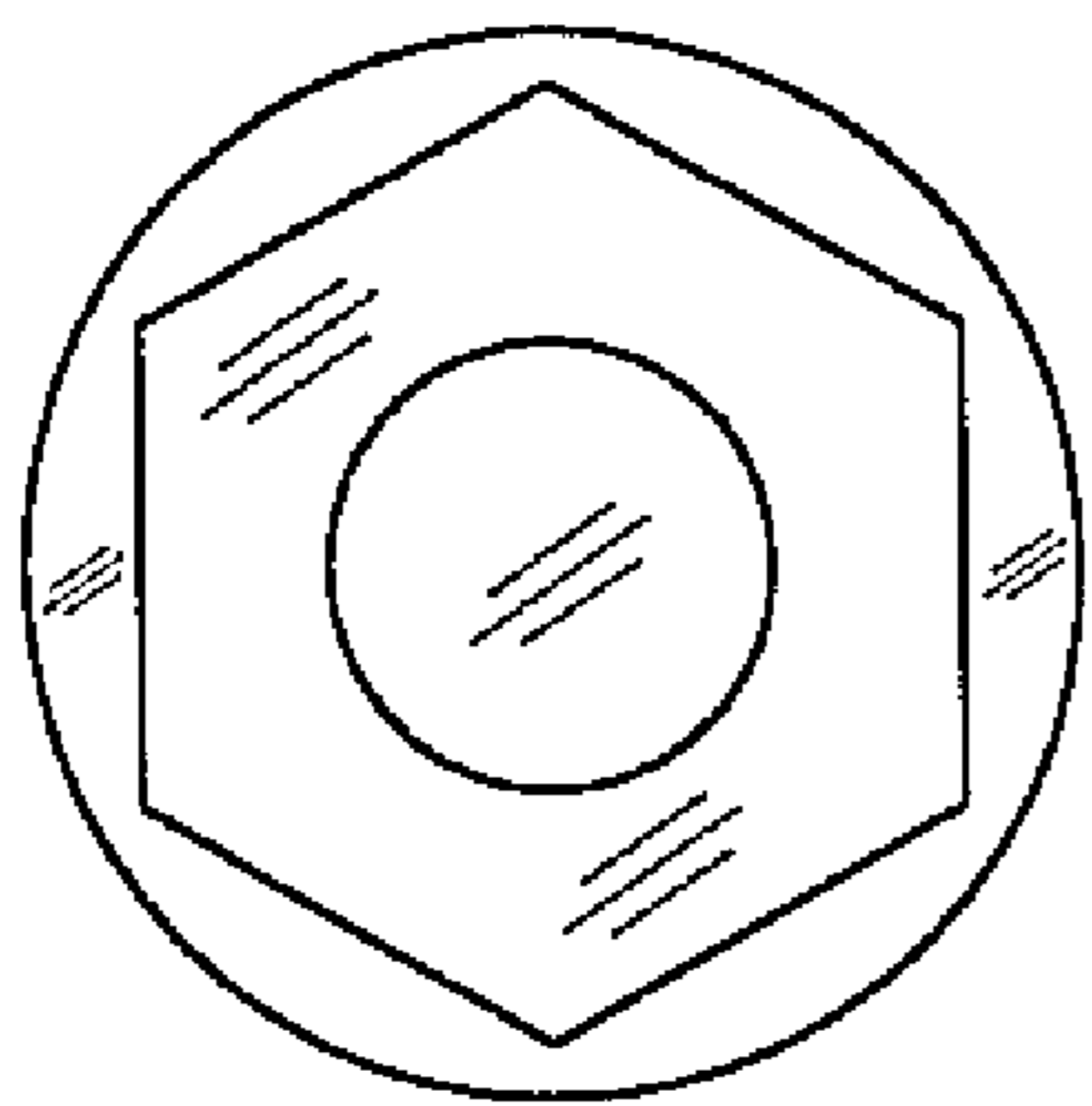


FIG. 7

