

US00D584925S

(12) **United States Design Patent**  
**Buchman et al.**

(10) **Patent No.:** **US D584,925 S**  
(45) **Date of Patent:** **\*\* Jan. 20, 2009**

- (54) **CONTAINER**
  - (75) Inventors: **James E. Buchman**, Hortonville, WI (US); **Erica L. Gretz**, Appleton, WI (US)
  - (73) Assignee: **Reynolds Consumer Products, Inc.**, Richmond, VA (US)
  - (\*\*) Term: **14 Years**
  - (21) Appl. No.: **29/284,173**
  - (22) Filed: **Aug. 31, 2007**
  - (51) **LOC (9) Cl.** ..... **07-07**
  - (52) **U.S. Cl.** ..... **D7/602**
  - (58) **Field of Classification Search** ..... D7/602, D7/612-615, 629, 538-542; D9/428-432; 220/780-806, 23.88; D10/46.2, 46.3
- See application file for complete search history.

- 3,653,575 A 4/1972 Schrepper
- 3,677,435 A 7/1972 Davis
- 3,737,093 A 6/1973 Amberg et al.
- 3,743,133 A 7/1973 Rathbun
- 3,759,416 A 9/1973 Constantine
- 3,773,207 A 11/1973 Dokoupil et al.
- 3,779,418 A 12/1973 Davis
- 3,797,694 A 3/1974 See et al.
- D235,621 S 7/1975 Cawrse
- D244,357 S 5/1977 Gardiner
- 4,027,776 A 6/1977 Douglas
- 4,058,247 A 11/1977 Florian
- 4,082,184 A 4/1978 Hammer
- D248,217 S 6/1978 Allen et al.
- 4,157,144 A 6/1979 Weiler et al.
- 4,241,841 A 12/1980 Boller
- 4,279,358 A 7/1981 Jacobs
- 4,306,664 A 12/1981 Bawden
- D266,906 S 11/1982 Guerette
- D267,703 S 1/1983 Chase et al.

(56) **References Cited**  
U.S. PATENT DOCUMENTS

- D100,515 S 7/1936 Fleisch
- 2,721,595 A 10/1955 Nichols
- 2,985,354 A 5/1961 Aldington
- D192,945 S 5/1962 Foss et al.
- 3,065,875 A 11/1962 Negoro
- 3,122,296 A 2/1964 Fotos
- 3,128,903 A 4/1964 Crisci
- 3,262,602 A 7/1966 McConnell et al.
- 3,281,001 A 10/1966 Stuart
- 3,349,941 A 10/1967 Wanderer
- 3,360,162 A 12/1967 Miles
- D210,168 S 2/1968 Plochman, Jr.
- 3,381,872 A 5/1968 Holder et al.
- 3,401,825 A 9/1968 Weiss
- 3,424,342 A 1/1969 Scopp et al.
- 3,520,441 A 7/1970 Fitzgerald
- 3,527,372 A 9/1970 Manning
- 3,539,552 A 11/1970 Mounts et al.
- D221,420 S 8/1971 Davis
- 3,613,938 A 10/1971 Westcott
- 3,615,039 A 10/1971 Ward

(Continued)

*Primary Examiner*—Terry A Wallace  
(74) *Attorney, Agent, or Firm*—Merchant & Gould P.C.

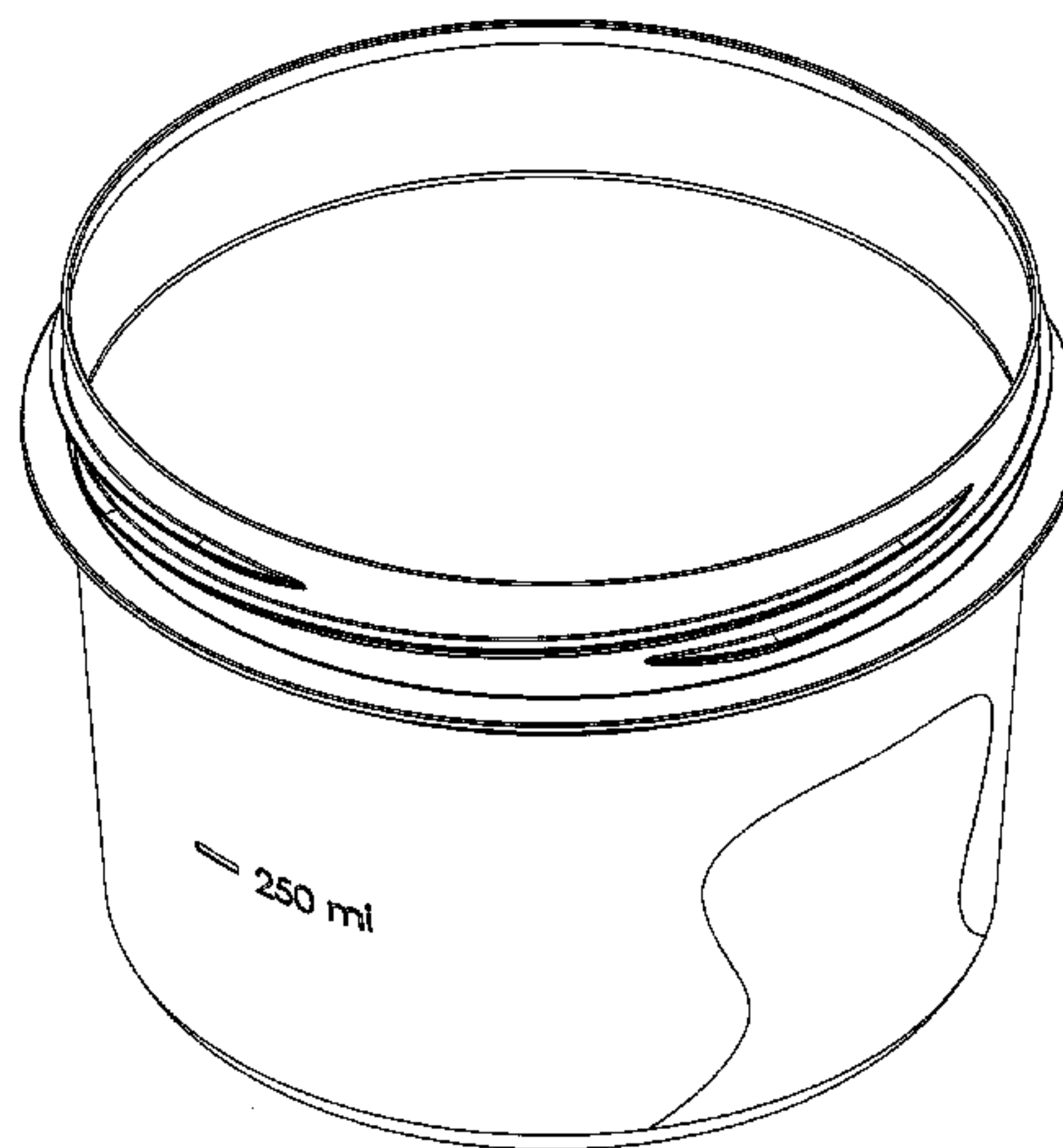
(57) **CLAIM**

The ornamental design for container, as shown and described.

**DESCRIPTION**

- FIG. 1 is a top perspective view of a container showing our new design.
- FIG. 2 is a bottom perspective view thereof.
- FIG. 3 is a rear view thereof.
- FIG. 4 is a front view thereof.
- FIG. 5 is a top plan view thereof.
- FIG. 6 is a bottom plan view thereof.
- FIG. 7 is a left side view thereof; and,
- FIG. 8 is a right side view thereof.

**1 Claim, 8 Drawing Sheets**



# US D584,925 S

U.S. PATENT DOCUMENTS					
4,399,926 A	8/1983	Eidels-Dubovoy	D418,757 S	1/2000	Reidenbach
4,412,630 A	11/1983	Daenen	D428,310 S	7/2000	Zettle et al.
4,444,332 A	4/1984	Widen et al.	D428,777 S	8/2000	Hayes et al.
4,471,878 A	9/1984	Davis et al.	6,105,810 A	8/2000	Daenen et al.
4,474,305 A	10/1984	Marco	6,135,286 A	10/2000	Strumor
4,504,009 A	3/1985	Boik et al.	6,164,484 A	12/2000	Fiore et al.
D286,844 S	11/1986	Daenen et al.	6,168,044 B1	1/2001	Zettle et al.
D292,380 S	10/1987	Smith	6,170,696 B1	1/2001	Tucker et al.
4,727,998 A	3/1988	Simon	D440,470 S	4/2001	Tucker et al.
4,765,506 A	8/1988	Fishman et al.	D440,830 S	4/2001	Tucker et al.
4,787,527 A	11/1988	Monetti	6,213,301 B1	4/2001	Landis et al.
4,809,868 A	3/1989	Pomroy	6,213,302 B1	4/2001	Sanders et al.
4,819,824 A	4/1989	Longbottom et al.	6,216,905 B1	4/2001	Mogard et al.
D301,691 S	6/1989	Mobberley	6,217,136 B1	4/2001	Dorfman et al.
4,836,407 A	6/1989	Bruce et al.	D442,484 S	5/2001	Maxwell et al.
4,844,263 A	7/1989	Hadtke	D442,860 S	5/2001	Symons et al.
4,854,472 A *	8/1989	Semersky ..... 220/783	6,230,924 B1	5/2001	Weiss et al.
D305,002 S	12/1989	Hayes et al.	D443,184 S	6/2001	Maxwell et al.
D305,003 S	12/1989	Hayes et al.	D443,484 S	6/2001	Maxwell et al.
4,917,261 A	4/1990	Borst	D443,798 S	6/2001	Tucker et al.
D312,400 S	11/1990	Schwaikert	D445,649 S	7/2001	Maxwell et al.
4,974,742 A	12/1990	Farrell et al.	D445,650 S	7/2001	Maxwell et al.
D313,353 S	1/1991	Hart et al.	6,257,434 B1	7/2001	Lizzio
4,986,438 A	1/1991	Borst	6,260,729 B1	7/2001	Mitchell et al.
D315,503 S	3/1991	Hart et al.	6,260,731 B1	7/2001	Cummings
5,012,928 A	5/1991	Proffitt et al.	D446,077 S	8/2001	Tucker et al.
5,040,682 A	8/1991	Palisin, Jr. et al.	D446,450 S	8/2001	Zettle et al.
D319,978 S	9/1991	Wolff	6,273,258 B1	8/2001	Piacenza
D320,744 S	10/1991	Palisin, Jr.	6,276,555 B1	8/2001	Edwards
D321,652 S	11/1991	Palisin, Jr.	D447,382 S	9/2001	Tucker et al.
5,065,889 A	11/1991	Conti	D448,288 S	9/2001	Zettle et al.
D322,032 S	12/1991	Palisin, Jr.	D448,297 S	9/2001	Sindermann
D322,033 S	12/1991	Palisin, Jr. et al.	6,283,298 B1	9/2001	Seidler
D327,849 S	7/1992	Armstrong	D448,991 S	10/2001	Zettle et al.
D328,014 S	7/1992	DeCoster et al.	D449,495 S	10/2001	Tucker et al.
D329,595 S	9/1992	Kung	6,305,546 B1	10/2001	Saunders et al.
5,143,219 A	9/1992	Yates, Jr.	D450,983 S	11/2001	Tucker et al.
5,147,059 A	9/1992	Olsen et al.	6,325,234 B1	12/2001	Legaspi
D339,525 S	9/1993	Morris, Sr.	6,343,709 B1	2/2002	DeForrest et al.
5,293,997 A	3/1994	Hustad et al.	6,349,820 B1	2/2002	Kelley et al.
5,297,688 A	3/1994	Beck et al.	6,364,112 B1	4/2002	Pitschka
5,310,074 A	5/1994	Jochem et al.	6,364,152 B1	4/2002	Poslinski et al.
5,344,021 A	9/1994	Rose	6,382,440 B1	5/2002	Brant et al.
5,348,181 A	9/1994	Smith et al.	D458,138 S	6/2002	Fuchs et al.
D351,795 S	10/1994	Ogden	D462,012 S	8/2002	Manderfield, Jr.
5,356,026 A	10/1994	Andress et al.	6,439,412 B2	8/2002	Luch
5,388,714 A	2/1995	Zutler	D462,880 S	9/2002	Maxwell et al.
5,390,797 A	2/1995	Smalley et al.	D463,281 S	9/2002	Druitt
5,489,036 A	2/1996	Arkins	D465,154 S	11/2002	O'Brien
D369,942 S	5/1996	Ahern, Jr.	D466,299 S	12/2002	Zimmerman
5,542,234 A	8/1996	Wyslotsky et al.	D471,813 S	3/2003	Shenkar
D374,178 S	10/1996	Valls et al.	D474,377 S	5/2003	Holsinger
5,624,051 A	4/1997	Ahern, Jr. et al.	D475,923 S	6/2003	Renz
D384,864 S *	10/1997	Carlson ..... D7/602	D476,898 S	7/2003	Schuller et al.
D390,109 S	2/1998	Tucker et al.	6,637,611 B2	10/2003	Luch
D392,187 S	3/1998	King	D503,667 S	4/2005	Keefer et al.
D394,184 S	5/1998	Demore	D506,359 S	6/2005	Zettle et al.
5,758,791 A	6/1998	Mangla	D507,155 S *	7/2005	Gosen et al. .... D7/629
5,758,793 A	6/1998	Forsyth et al.	D507,937 S	8/2005	Dais et al.
5,806,710 A	9/1998	Shiffer et al.	D508,187 S *	8/2005	Dais et al. .... D7/602
5,823,345 A	10/1998	Nask et al.	D508,188 S	8/2005	Zettle et al.
5,894,953 A	4/1999	Ramirez	D510,523 S	10/2005	Pitman et al.
5,896,993 A	4/1999	Nask et al.	6,983,859 B2 *	1/2006	Azzarello ..... 220/288
D411,714 S	6/1999	Wilson et al.	D517,322 S	3/2006	Zettle et al.
D411,741 S	6/1999	Wilson et al.	D519,327 S *	4/2006	Tucker et al. .... D7/629
5,938,055 A	8/1999	Philips et al.	D519,373 S	4/2006	Pitman et al.
D415,684 S	10/1999	Reidenbach	D542,591 S *	5/2007	Carlson ..... D7/354
5,972,292 A	10/1999	DeMeo	D545,618 S	7/2007	Zettle et al.
5,992,679 A	11/1999	Porchia et al.			

\* cited by examiner



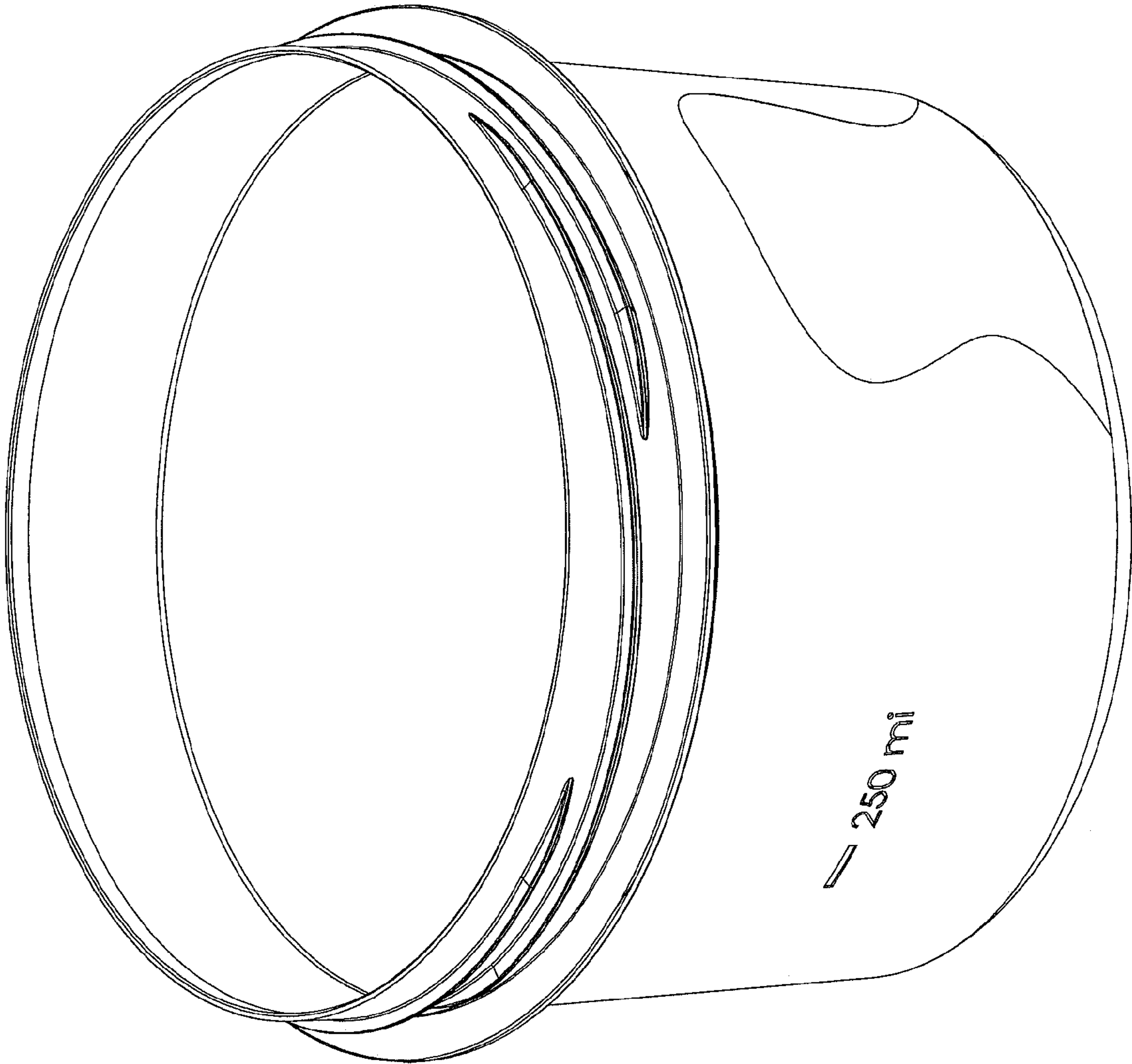


FIG. 1

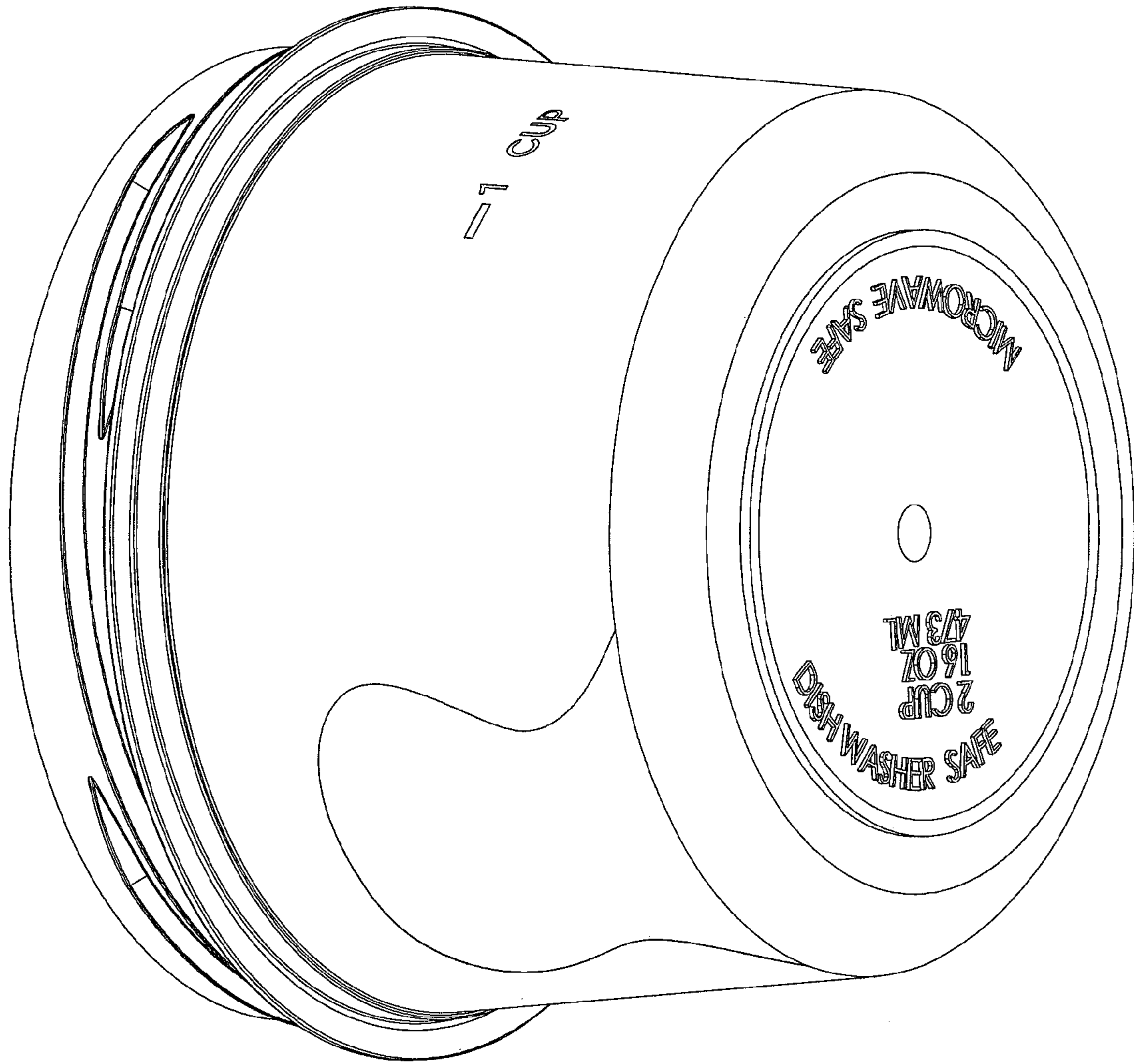


FIG. 2

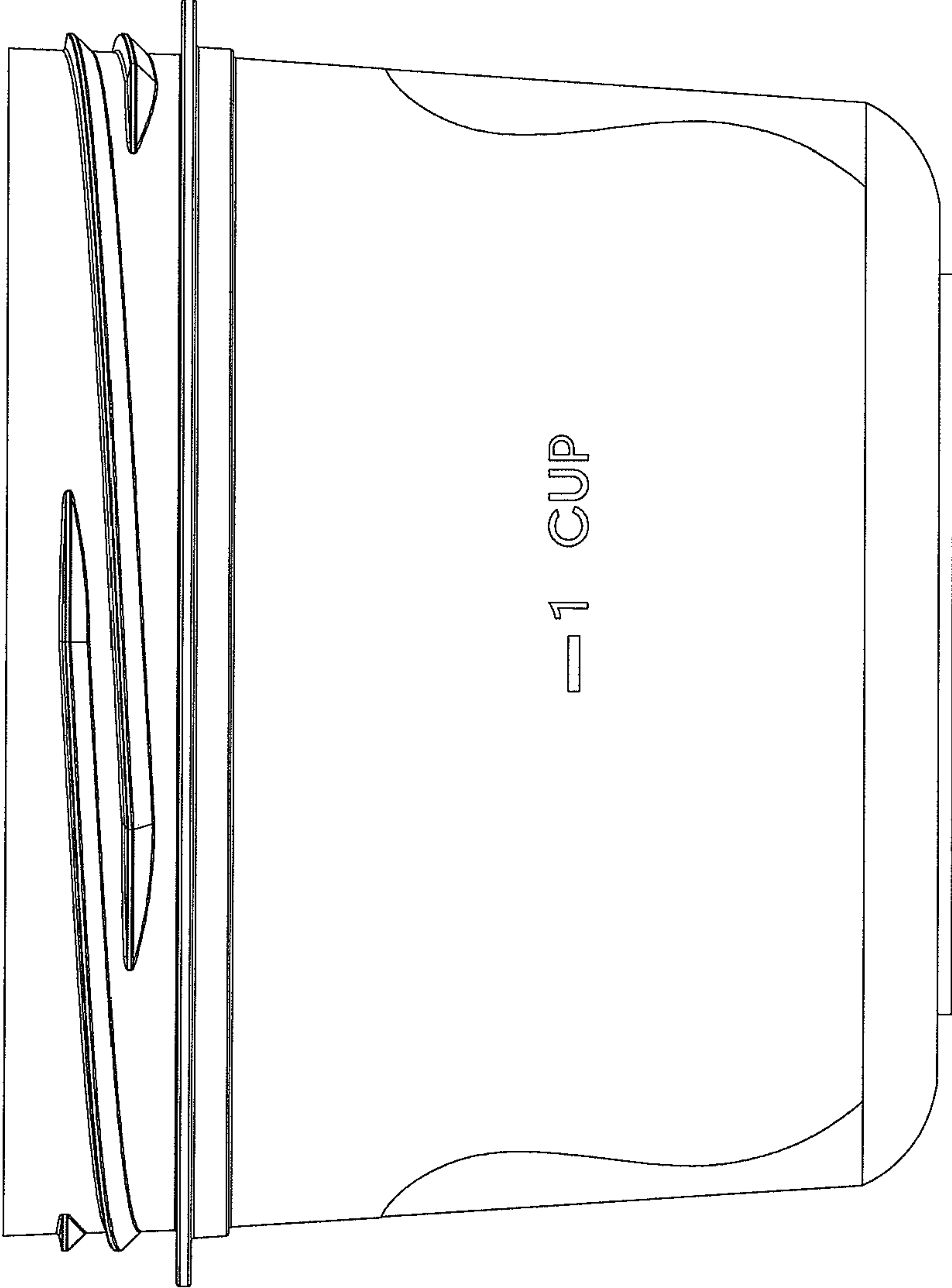


FIG. 3

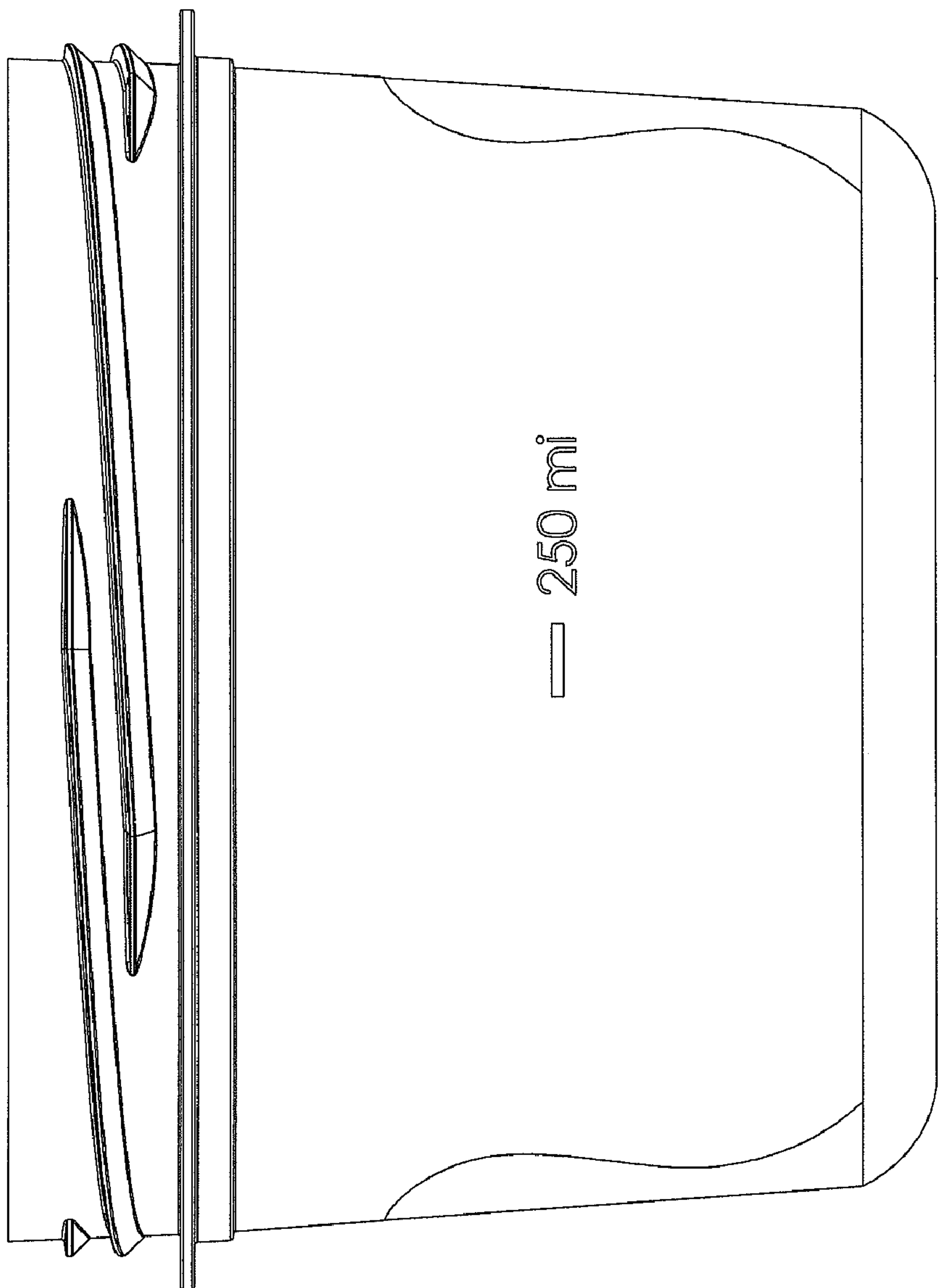


FIG. 4

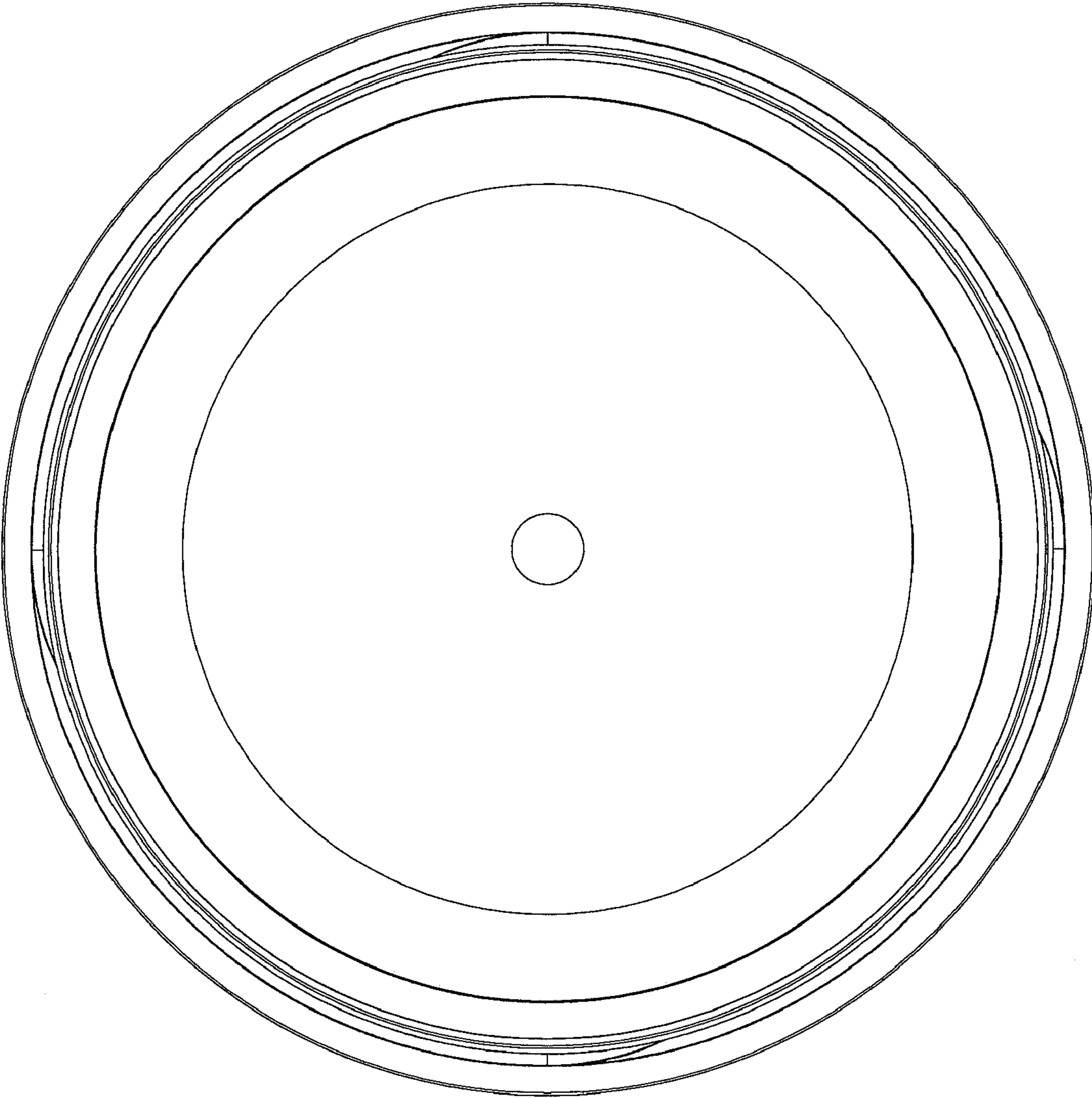


FIG. 5



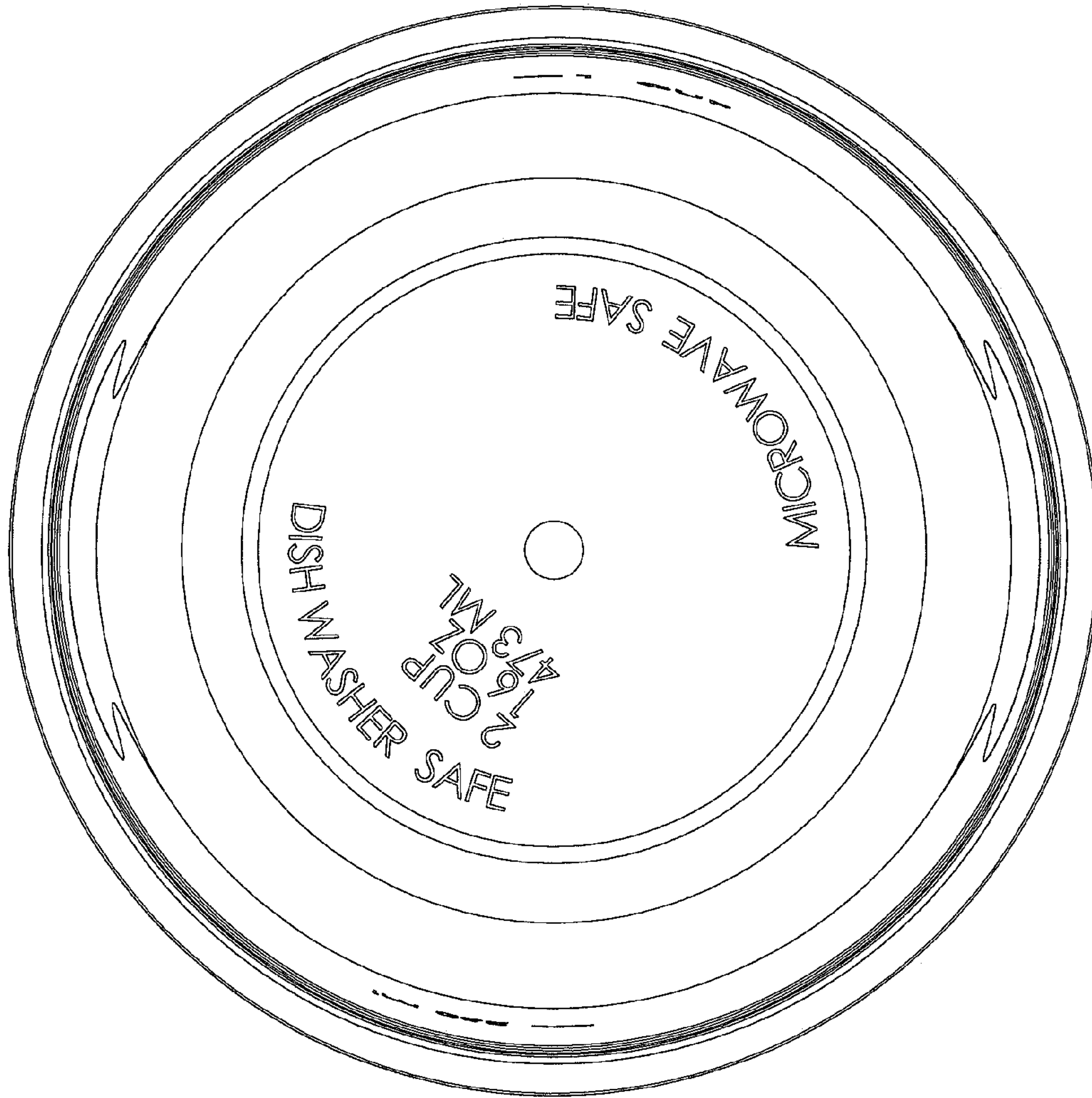


FIG. 6



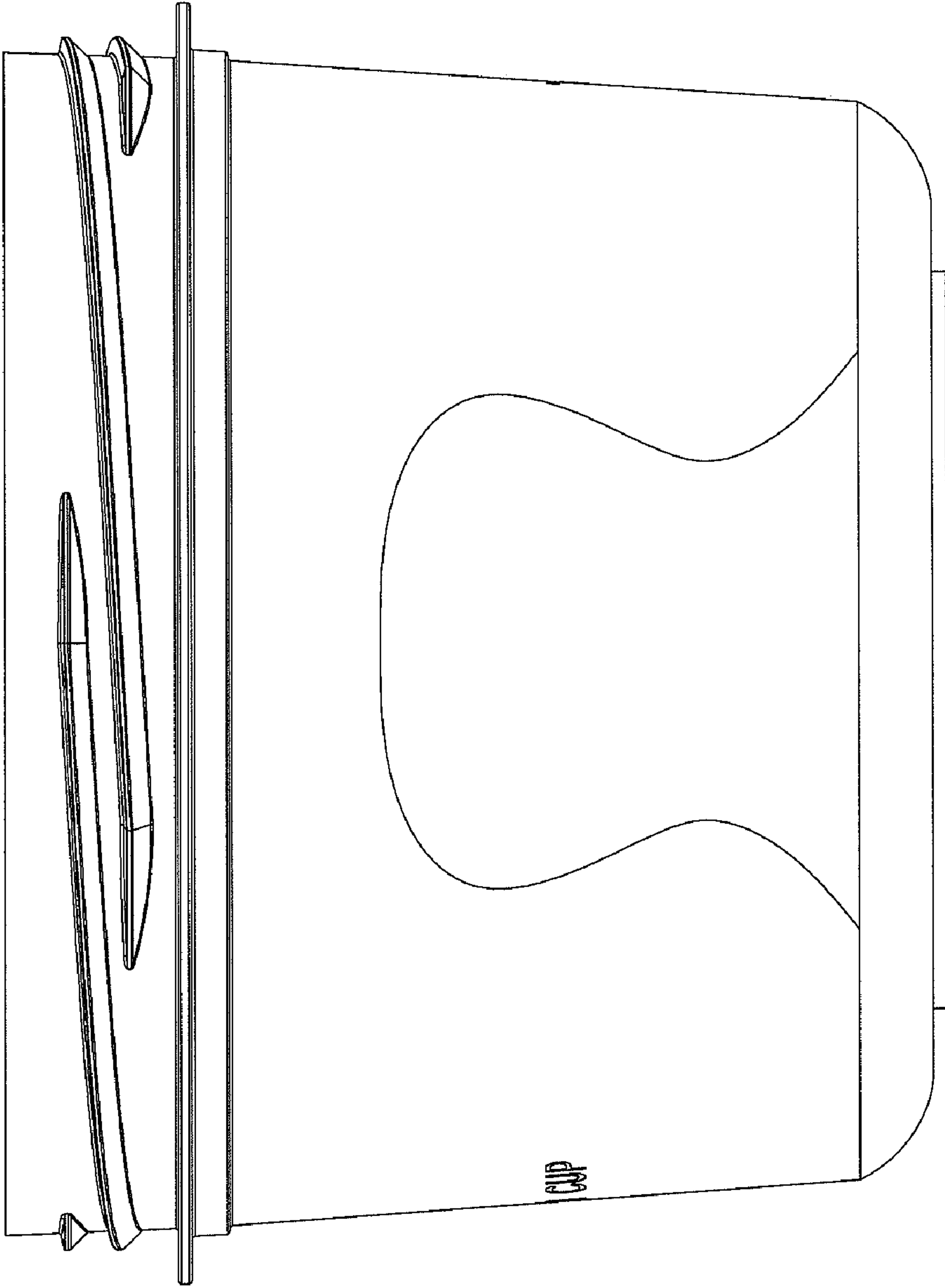


FIG. 7

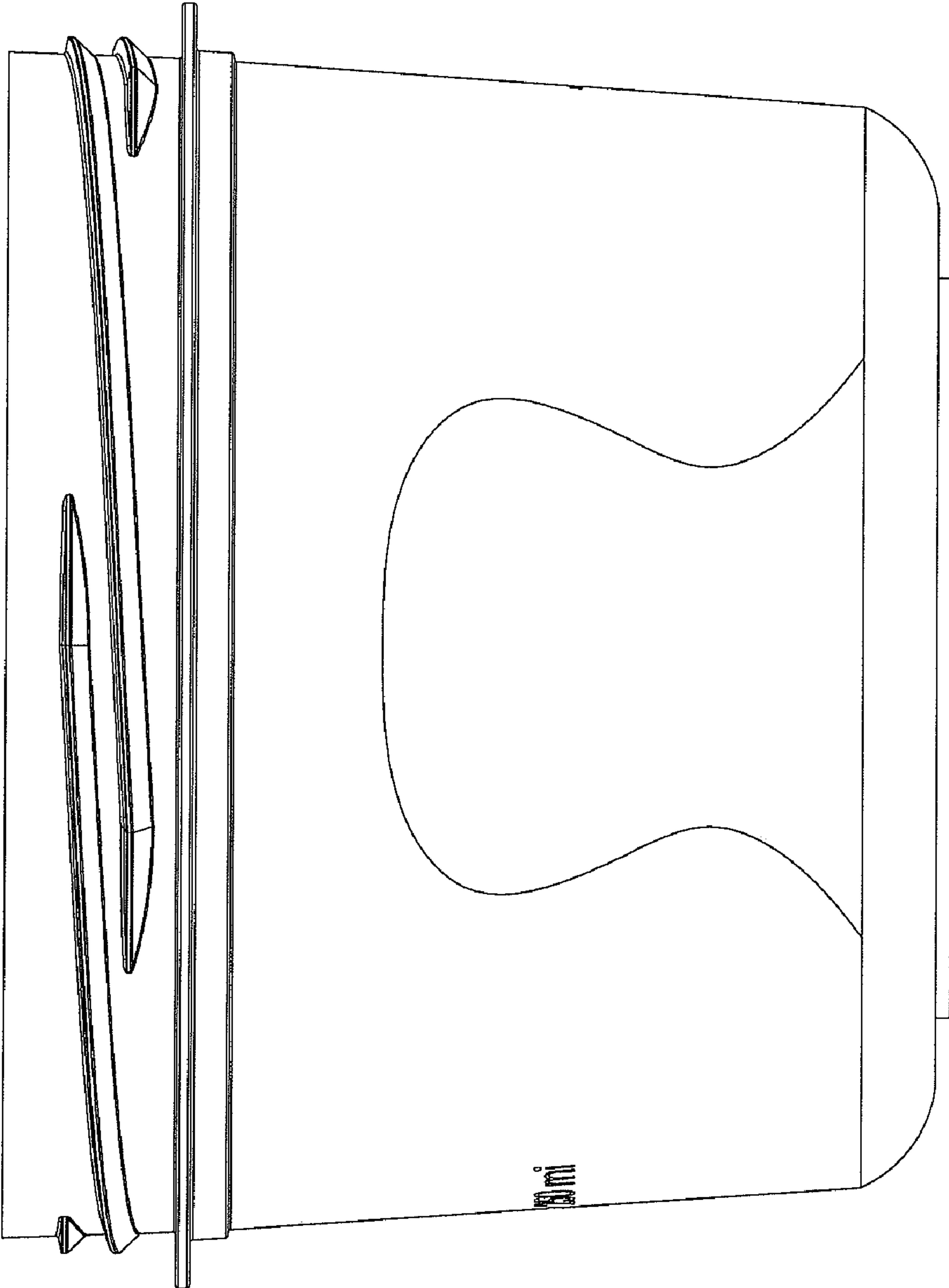


FIG. 8