



US00D584924S

(12) **United States Design Patent**  
**Tseng et al.**

(10) **Patent No.:** **US D584,924 S**  
(45) **Date of Patent:** **\*\* Jan. 20, 2009**

(54) **COMBINED SNACKS STORING AND DISPENSING MACHINE**

(75) Inventors: **I-Hsuan Tseng**, Taipei (TW); **Szu Ming Chen**, Tainan (TW)

(73) Assignees: **Kwang Hsieh Enterprise Co., Ltd.**, Taipei (TW); **Sin Chi Enterprise Co., Ltd.**, Tainan County (TW)

(\*\*) Term: **14 Years**

(21) Appl. No.: **29/299,927**

(22) Filed: **Jan. 7, 2008**

(51) **LOC (9) Cl.** ..... **07-06**

(52) **U.S. Cl.** ..... **D7/589**

(58) **Field of Classification Search** ..... D7/589;  
D20/1, 4, 7; D6/542-545; 222/368, 185.1,  
222/367, 173, 181.1, 230, 160, 251, 288,  
222/282

See application file for complete search history.

(56) **References Cited**

**U.S. PATENT DOCUMENTS**

2,920,796 A \* 1/1960 Field ..... 222/185.1  
4,511,067 A \* 4/1985 Martin et al. .... 222/230

4,569,463 A \* 2/1986 Pellegrino ..... 222/288  
D467,466 S \* 12/2002 Apelboim et al. .... D7/589  
D500,636 S \* 1/2005 Levy et al. .... D7/589  
D507,936 S \* 8/2005 Gold et al. .... D7/589  
6,964,355 B2 \* 11/2005 Landau ..... 222/185.1

\* cited by examiner

*Primary Examiner*—Terry A Wallace

(74) *Attorney, Agent, or Firm*—Rabin & Berdo, PC

(57) **CLAIM**

The ornamental design for a combined snack storing and dispensing machine, as shown and described.

**DESCRIPTION**

FIG. 1 is a perspective view of a combined snack storing and dispensing machine showing my new design;

FIG. 2 is a front view thereof;

FIG. 3 is a rear view thereof;

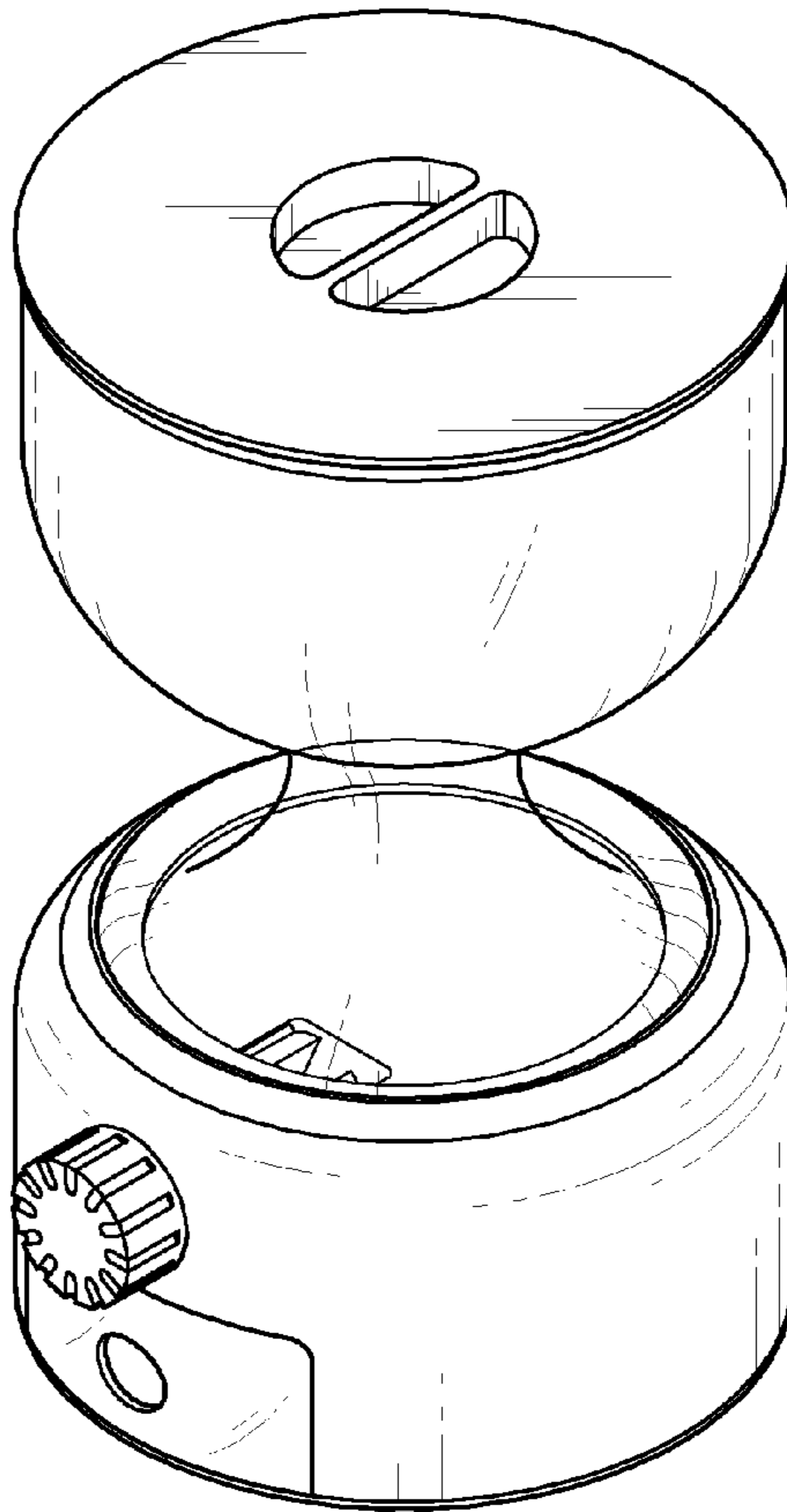
FIG. 4 is a left side view thereof;

FIG. 5 is a right side view thereof;

FIG. 6 is a top view thereof; and,

FIG. 7 is a bottom view thereof.

**1 Claim, 6 Drawing Sheets**



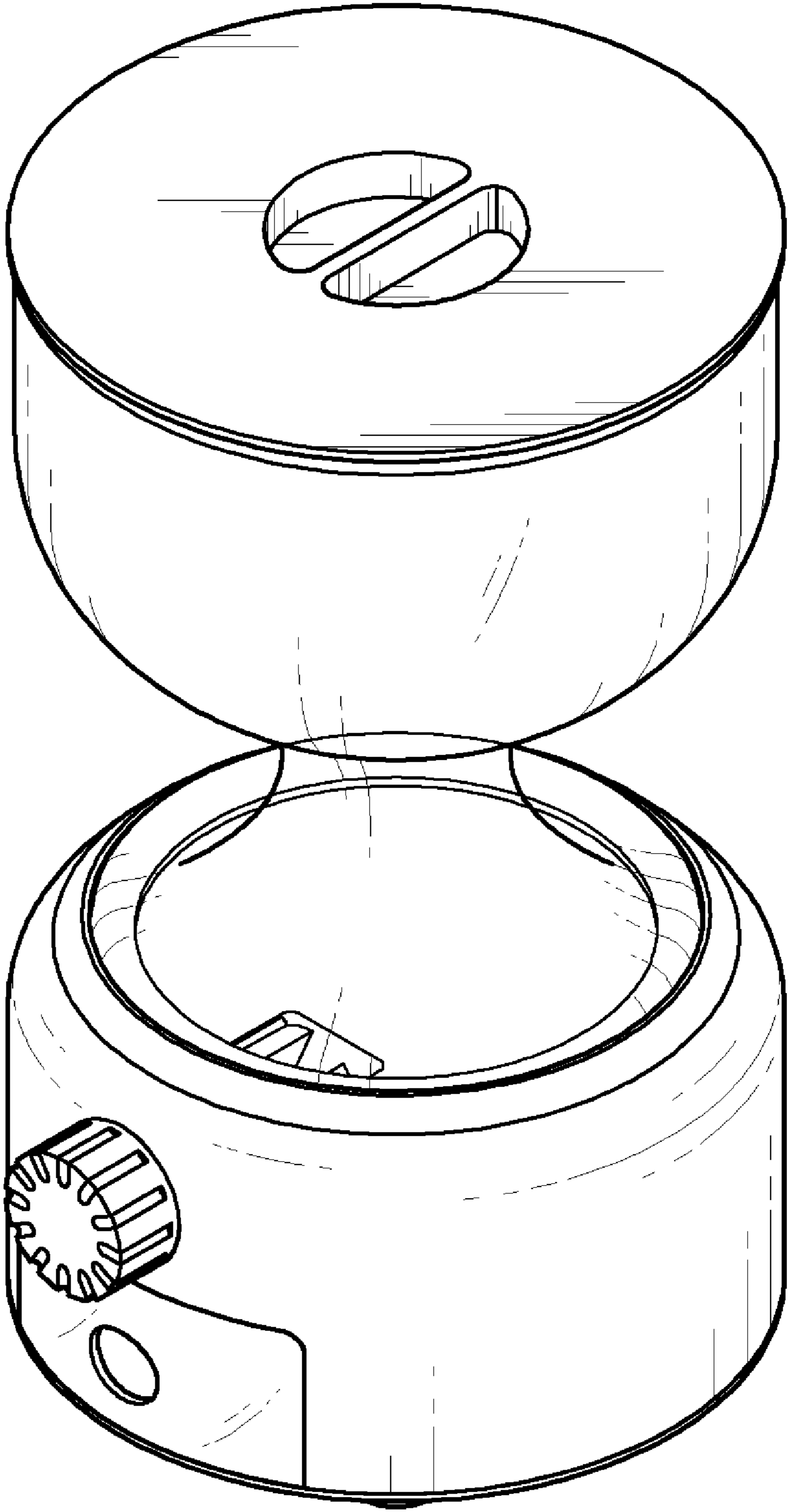
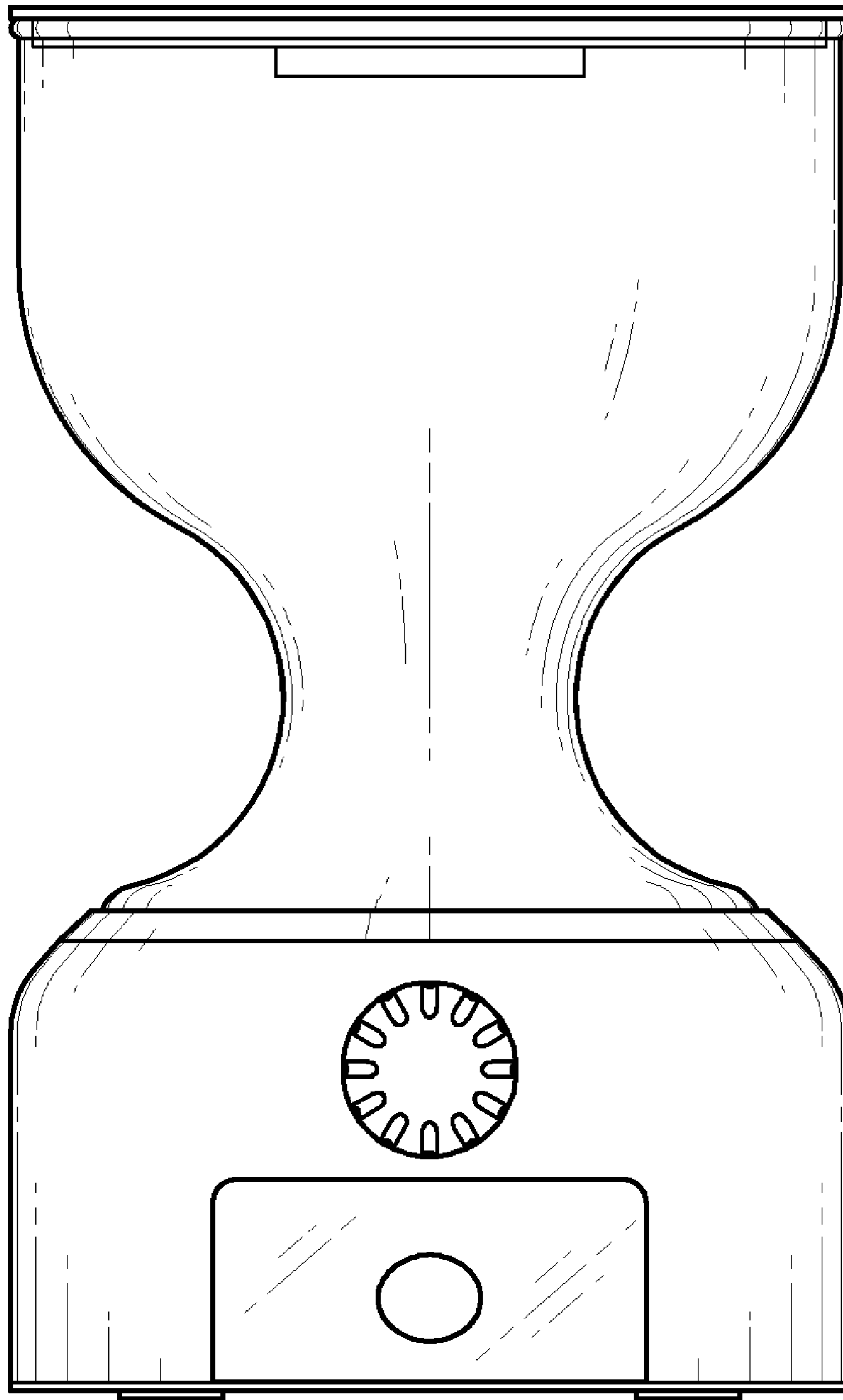
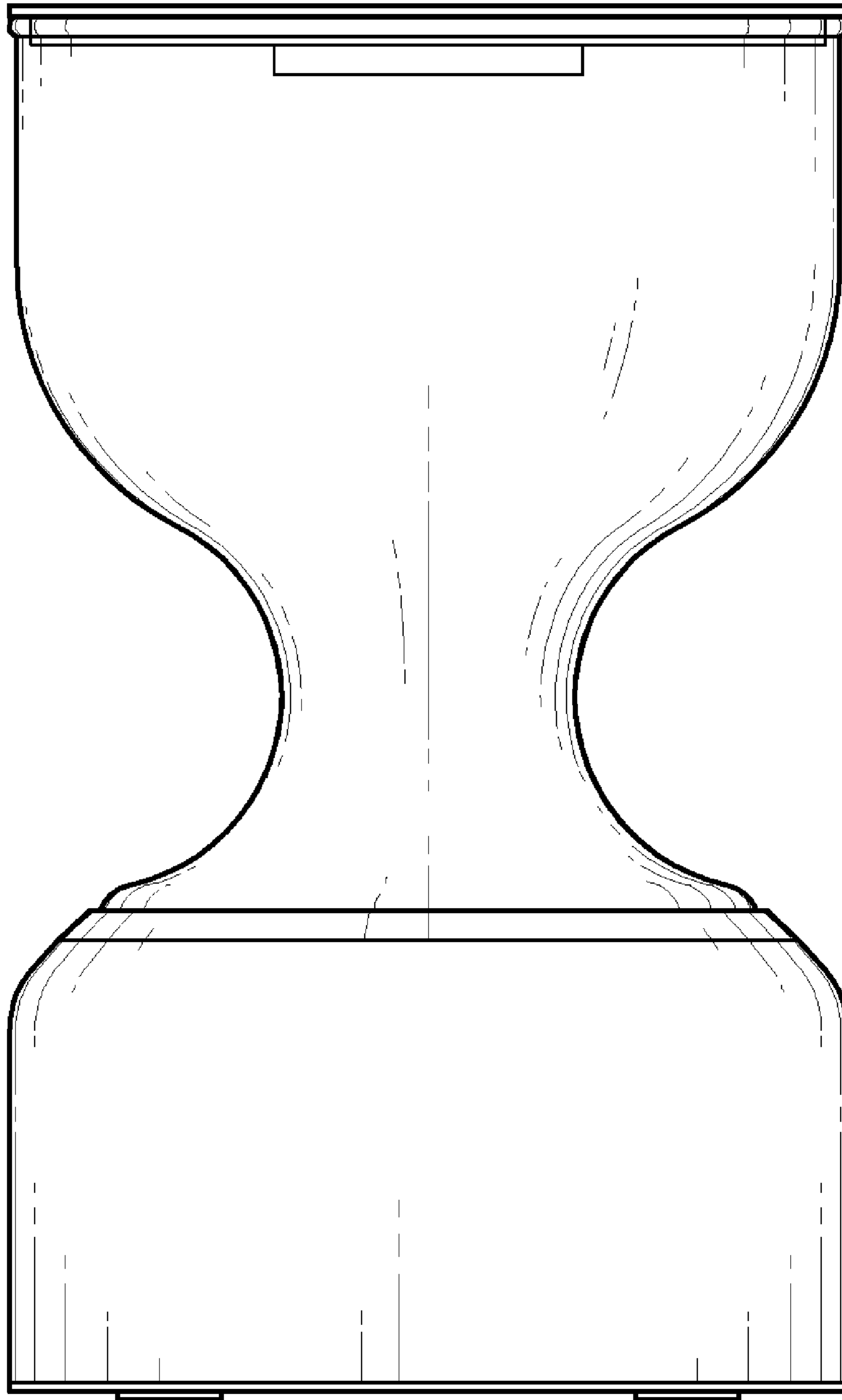


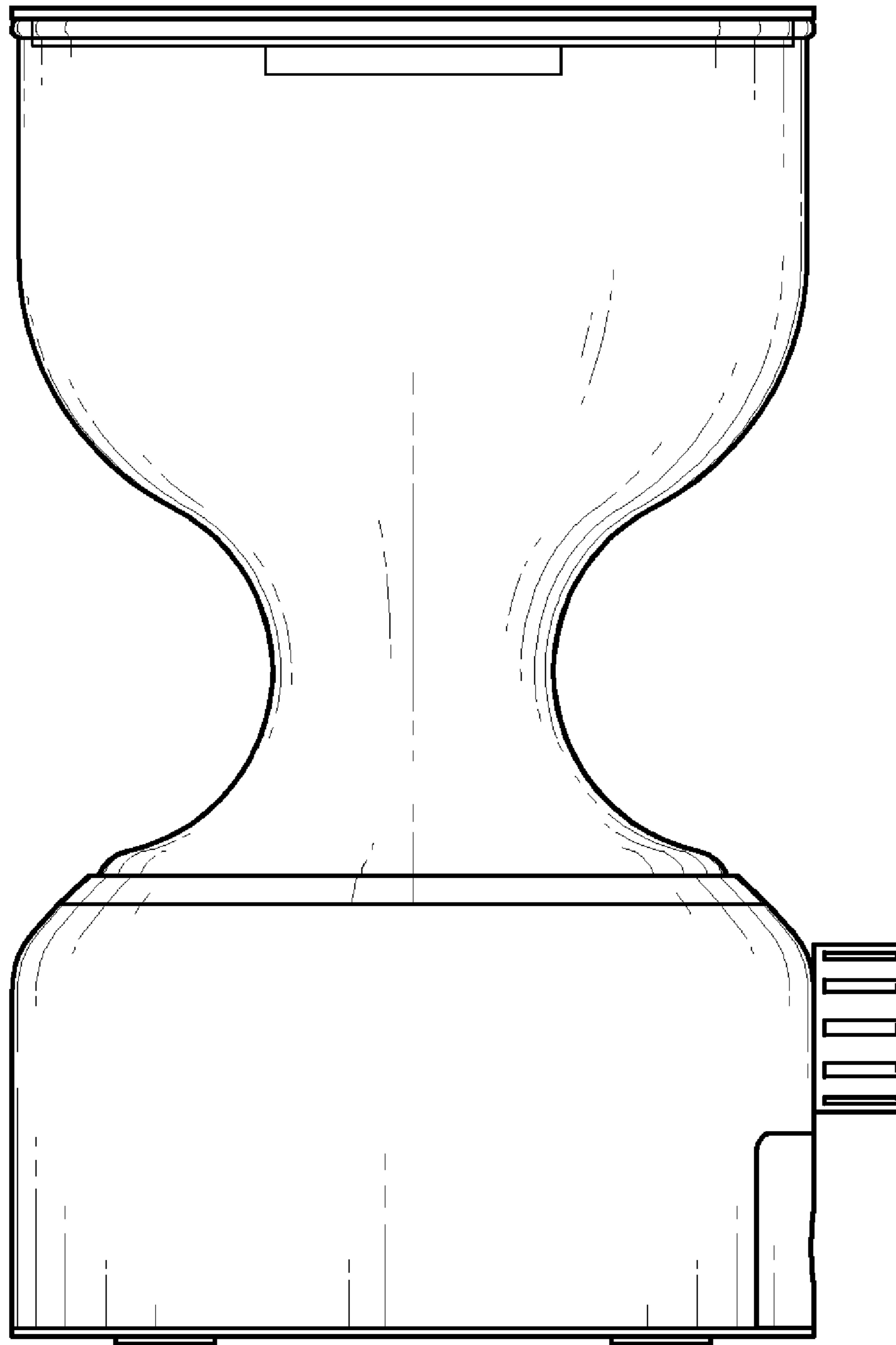
FIG. 1



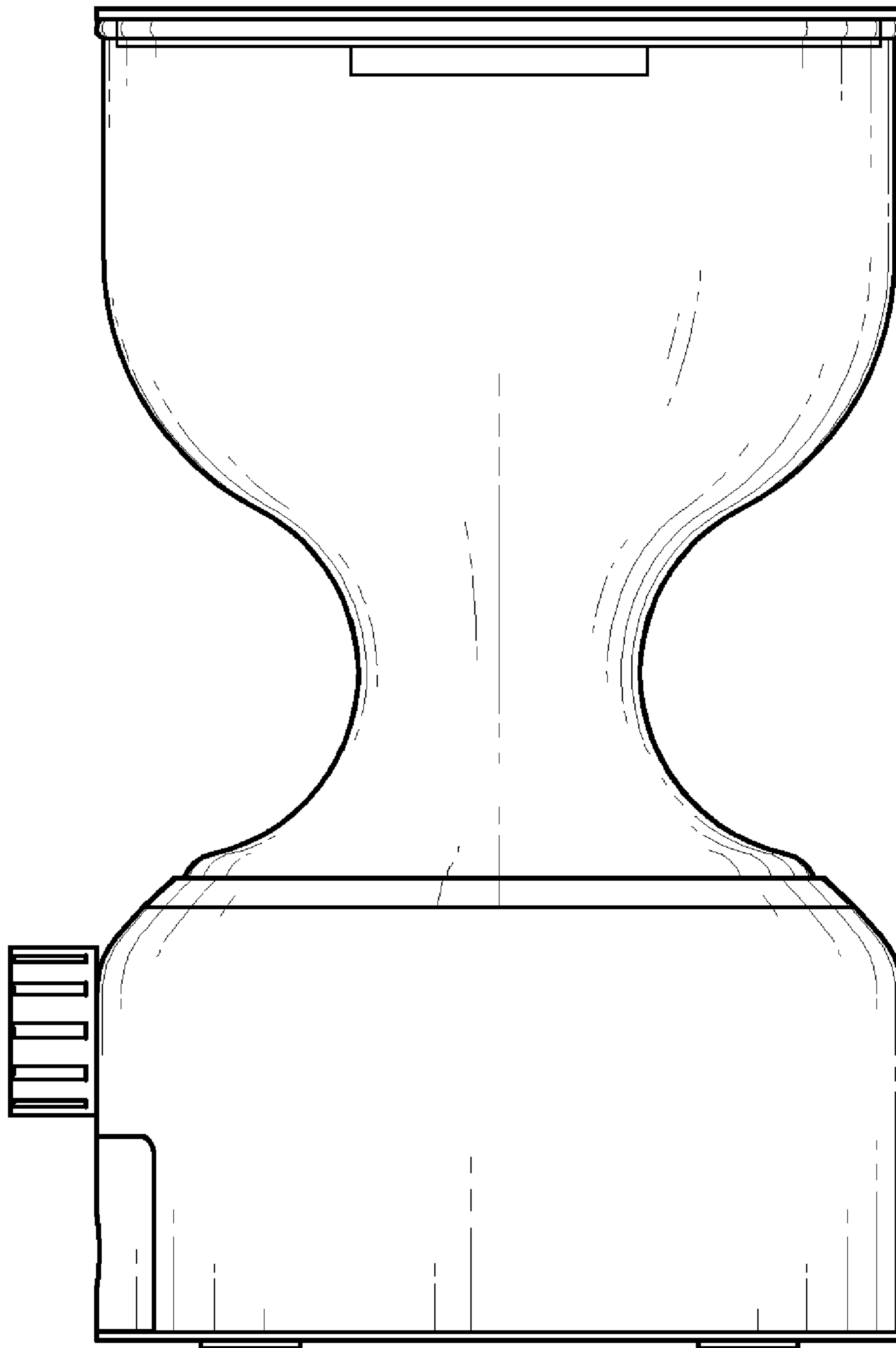
*FIG. 2*



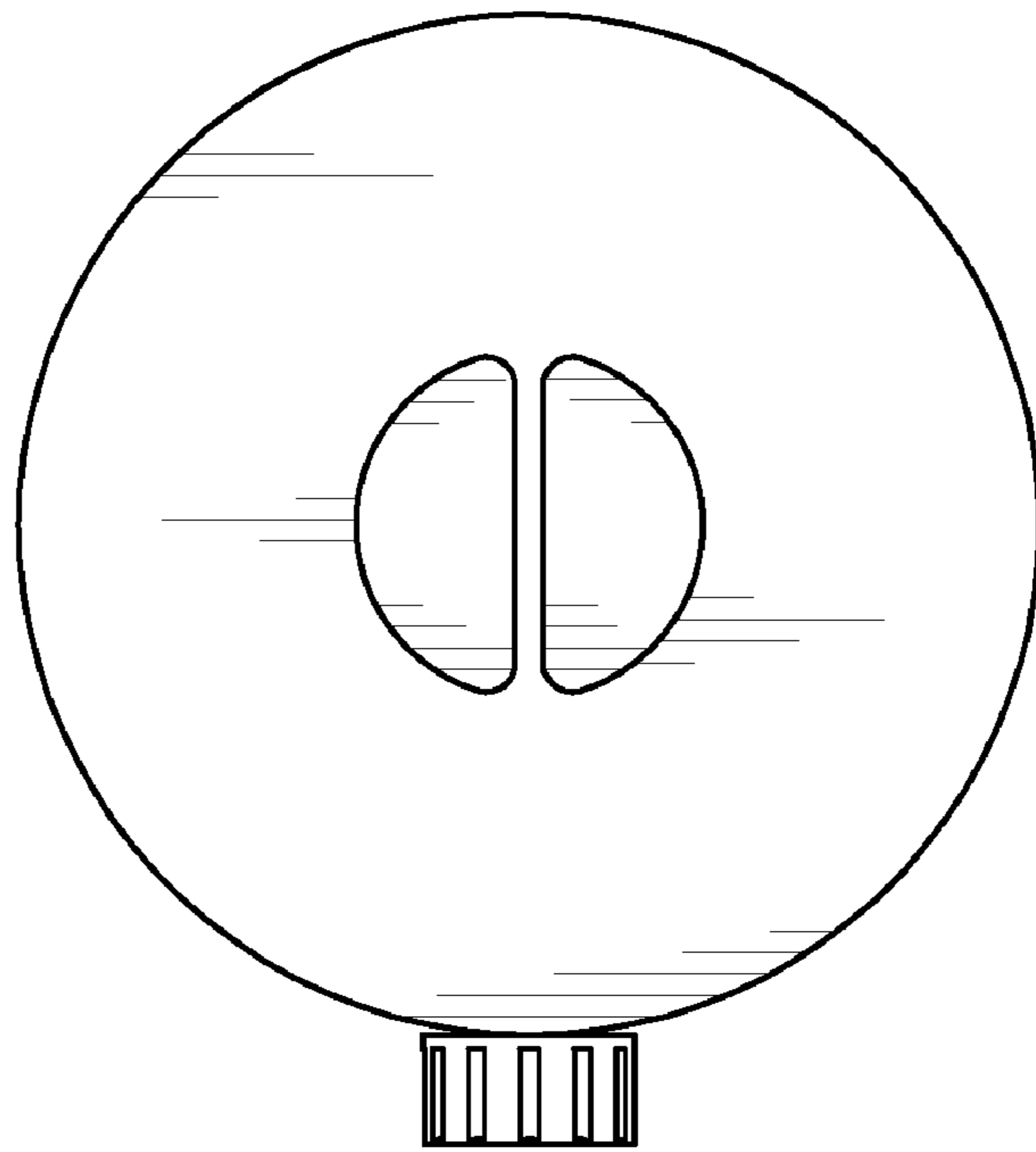
*FIG. 3*



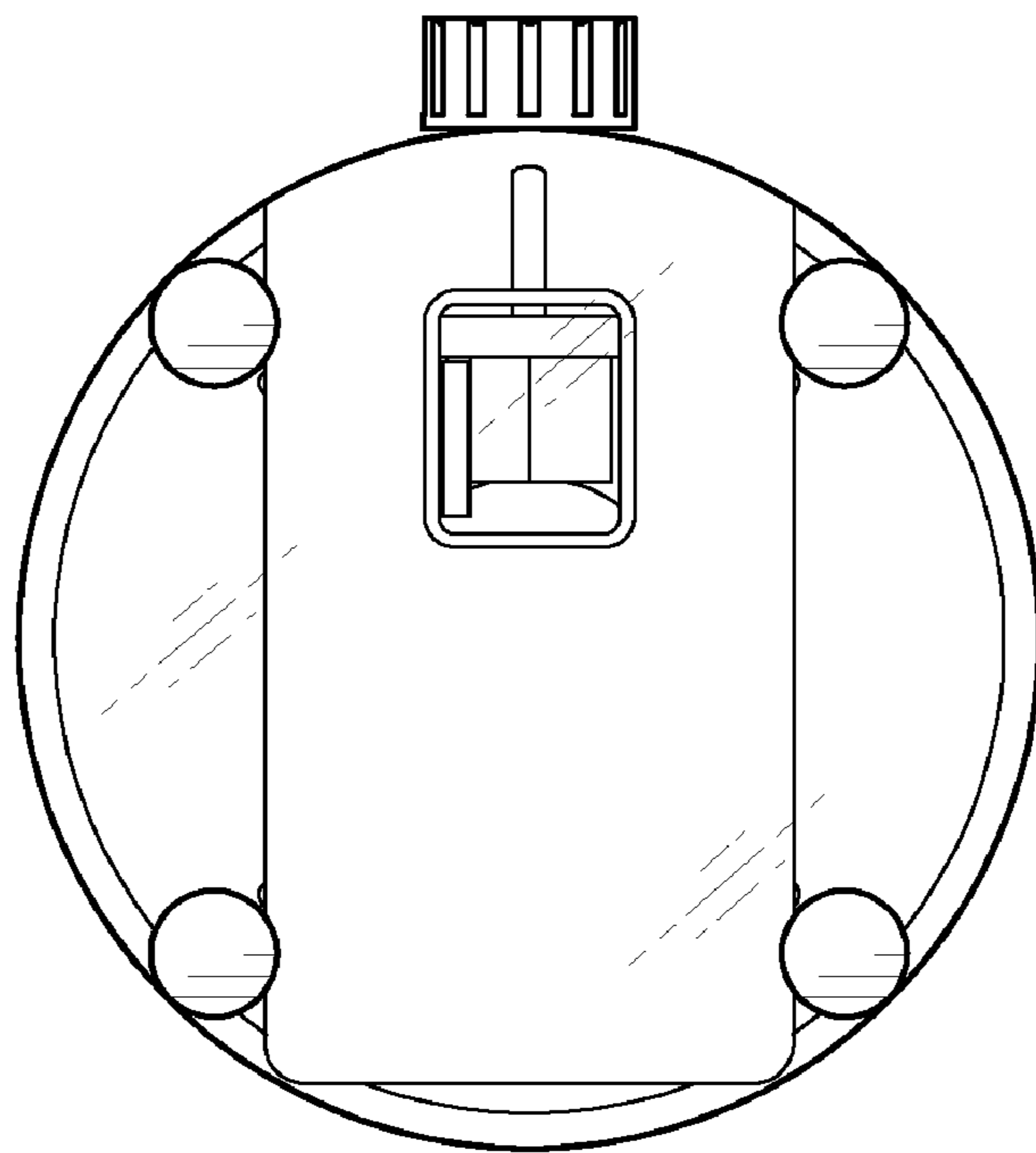
*FIG. 4*



*FIG. 5*



*FIG. 6*



*FIG. 7*