



US00D584922S

(12) **United States Design Patent**
Spiegel

(10) **Patent No.:** **US D584,922 S**

(45) **Date of Patent:** **** Jan. 20, 2009**

(54) **COFFEE MAKER**

(75) Inventor: **Peter Spiegel**, Los Angeles, CA (US)

(73) Assignee: **Sylmark Holdings Limited**, Dublin (IE)

(**) Term: **14 Years**

(21) Appl. No.: **29/324,372**

(22) Filed: **Sep. 11, 2008**

Related U.S. Application Data

(62) Division of application No. 29/277,415, filed on Feb. 26, 2007, now Pat. No. Des. 577,944.

(51) **LOC (9) Cl.** **07-99**

(52) **U.S. Cl.** **D7/397; D7/309**

(58) **Field of Classification Search** D7/306-311,
D7/300, 318, 397; 99/280, 286, 305, 306,
99/295, 279, 299, 285

See application file for complete search history.

(56) **References Cited**

U.S. PATENT DOCUMENTS

- D369,268 S * 4/1996 Assmann et al. D7/309
- D402,153 S * 12/1998 Saltet D7/309
- D408,680 S * 4/1999 Lin D7/309
- D414,647 S * 10/1999 Driscoll et al. D7/309
- 6,085,638 A * 7/2000 Mork et al. 99/282
- D446,990 S * 8/2001 Prat D7/309

- D447,903 S * 9/2001 Lin D7/309
- D501,352 S * 2/2005 Lin D7/309
- D529,751 S * 10/2006 Sumser et al. D7/309
- D530,139 S * 10/2006 Lin D7/309
- D556,497 S * 12/2007 Harris et al. D7/309
- D556,498 S * 12/2007 Harris et al. D7/309
- 2005/0193892 A1 * 9/2005 Rahn et al. 99/279

* cited by examiner

Primary Examiner—Marianne Pandozzi

(74) *Attorney, Agent, or Firm*—Kathy Mojibi Kavcioglu

(57) **CLAIM**

I claim the ornamental design for the coffee maker, as shown and described.

DESCRIPTION

FIG. 1 is a perspective view of a coffee maker showing my new design in accordance with a first embodiment;

FIG. 2 is a front view thereof;

FIG. 3 is a right side view thereof;

FIG. 4 is a left side view thereof;

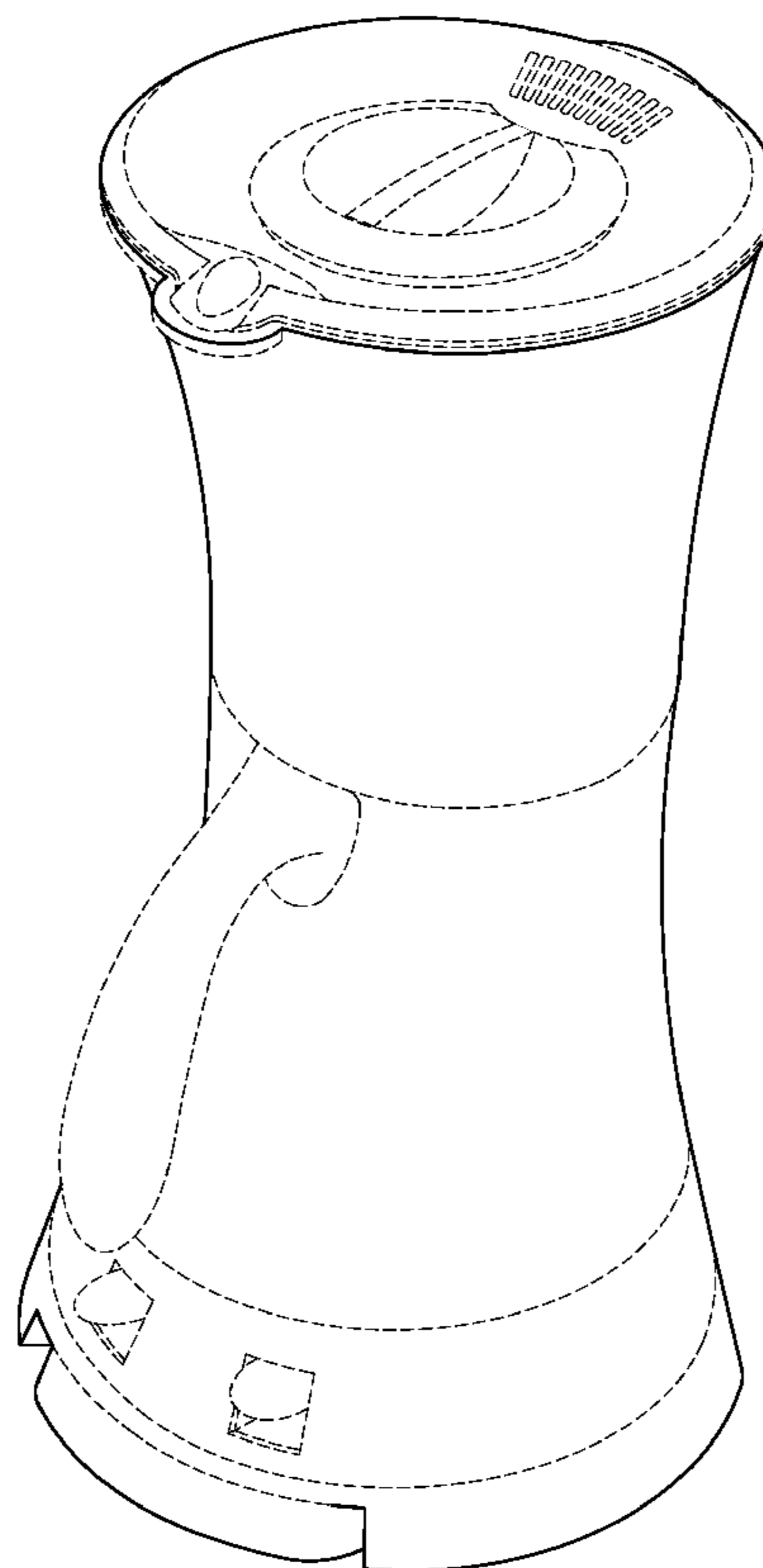
FIG. 5 is a rear view thereof;

FIG. 6 is a top plan view thereof; and,

FIG. 7 is a bottom plan view thereof.

The broken lines in the figures are for illustrative purposes only and form no part of the claimed design.

1 Claim, 7 Drawing Sheets



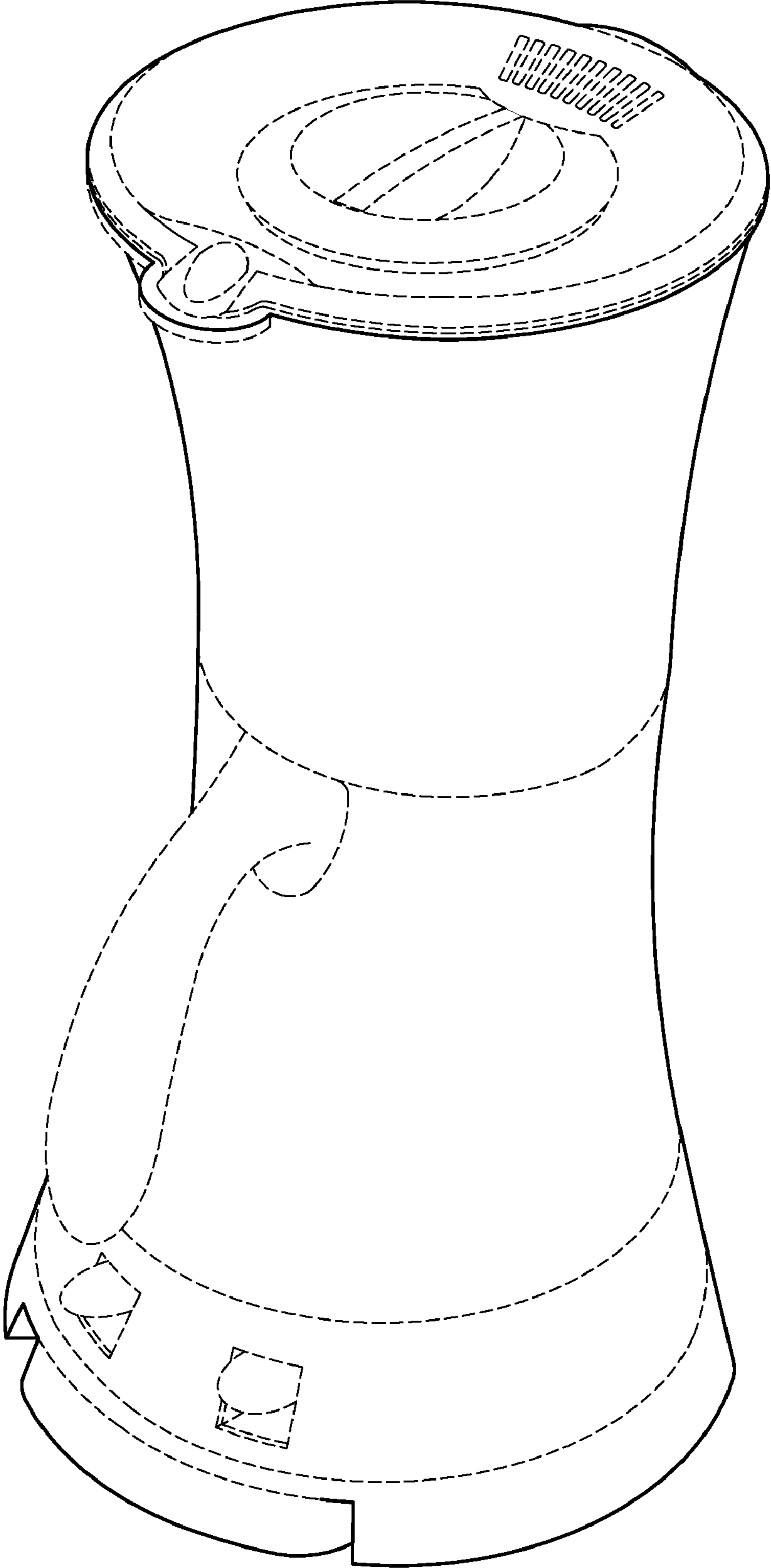


FIG. 1

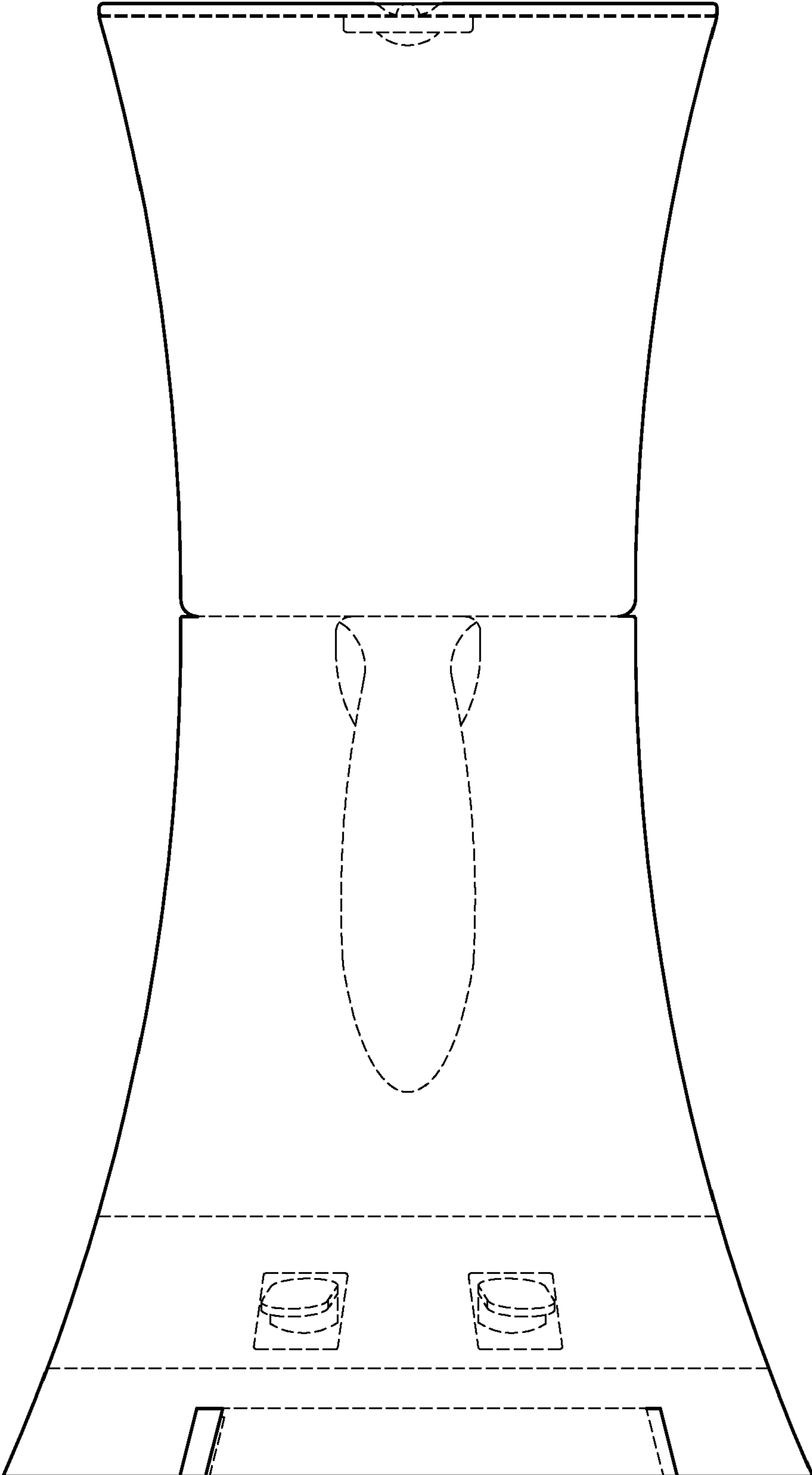


FIG. 2

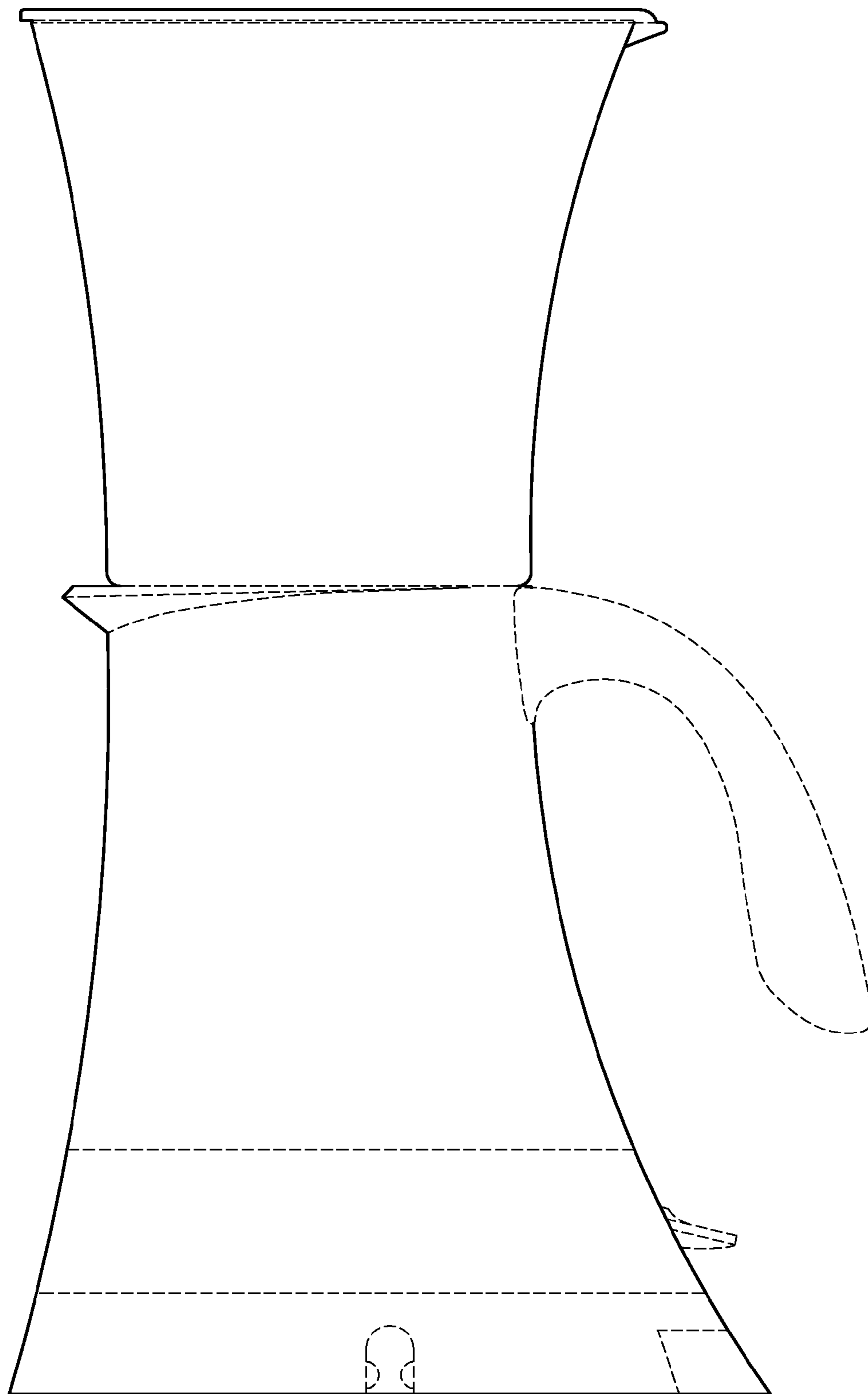


FIG. 3

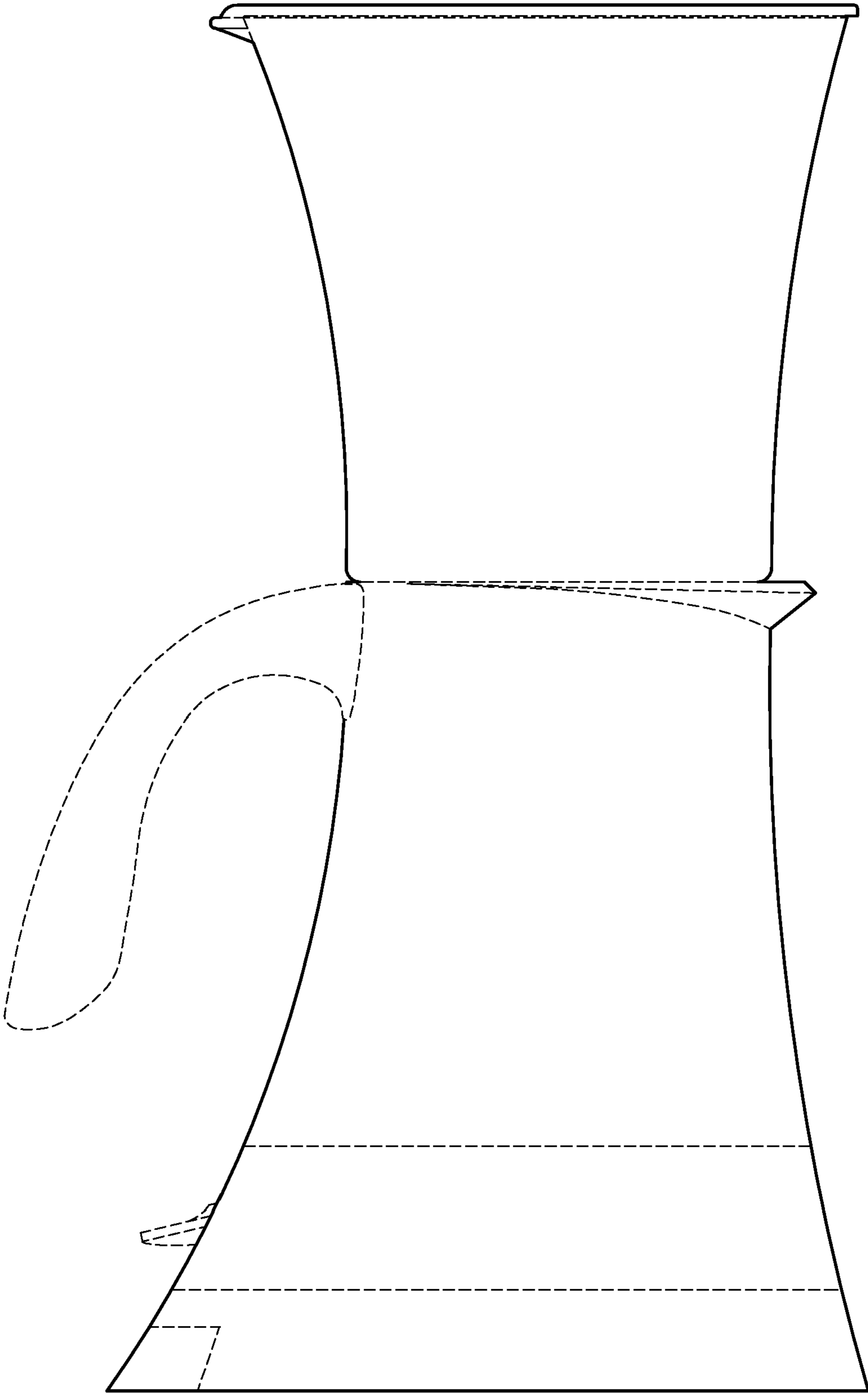


FIG. 4

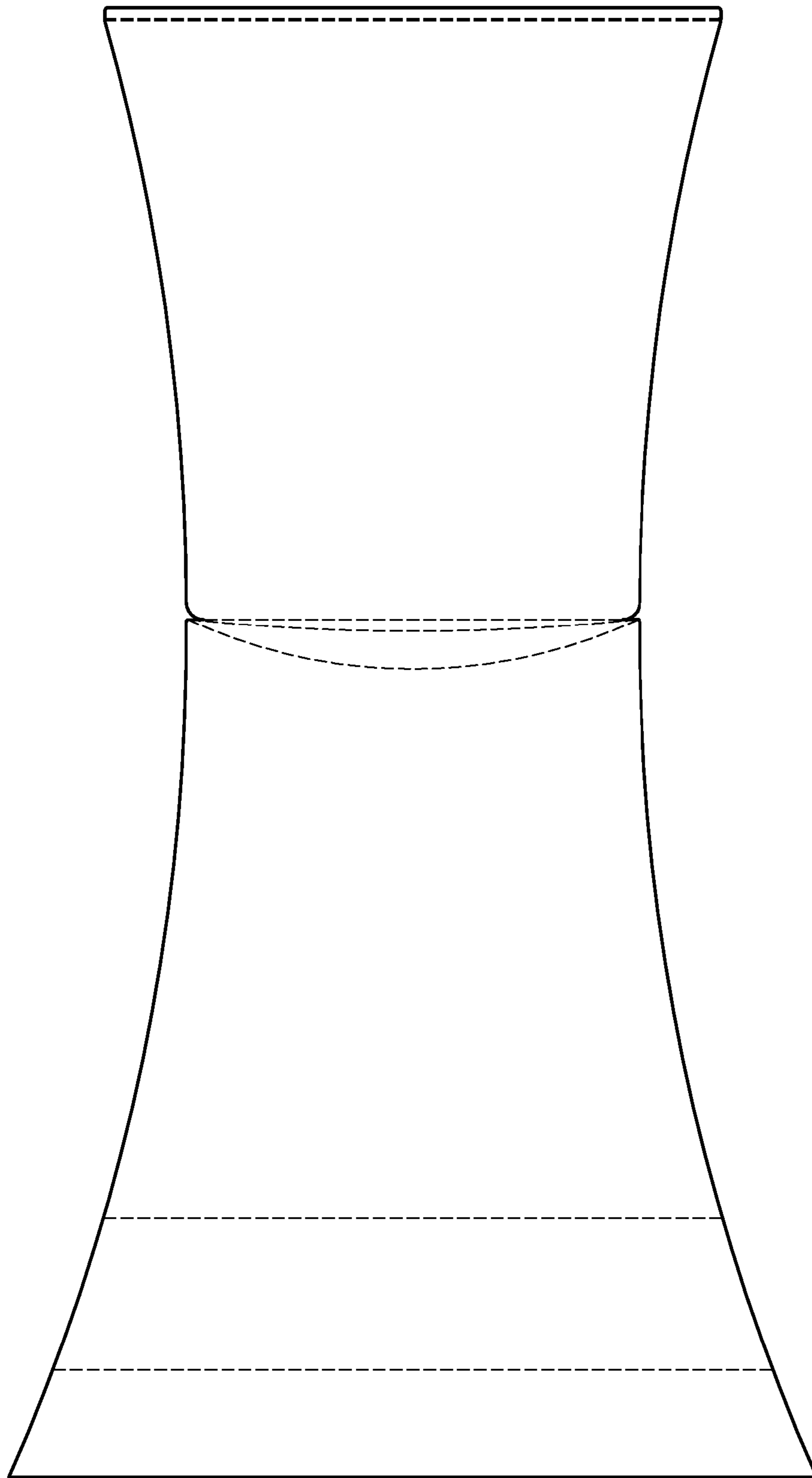


FIG. 5

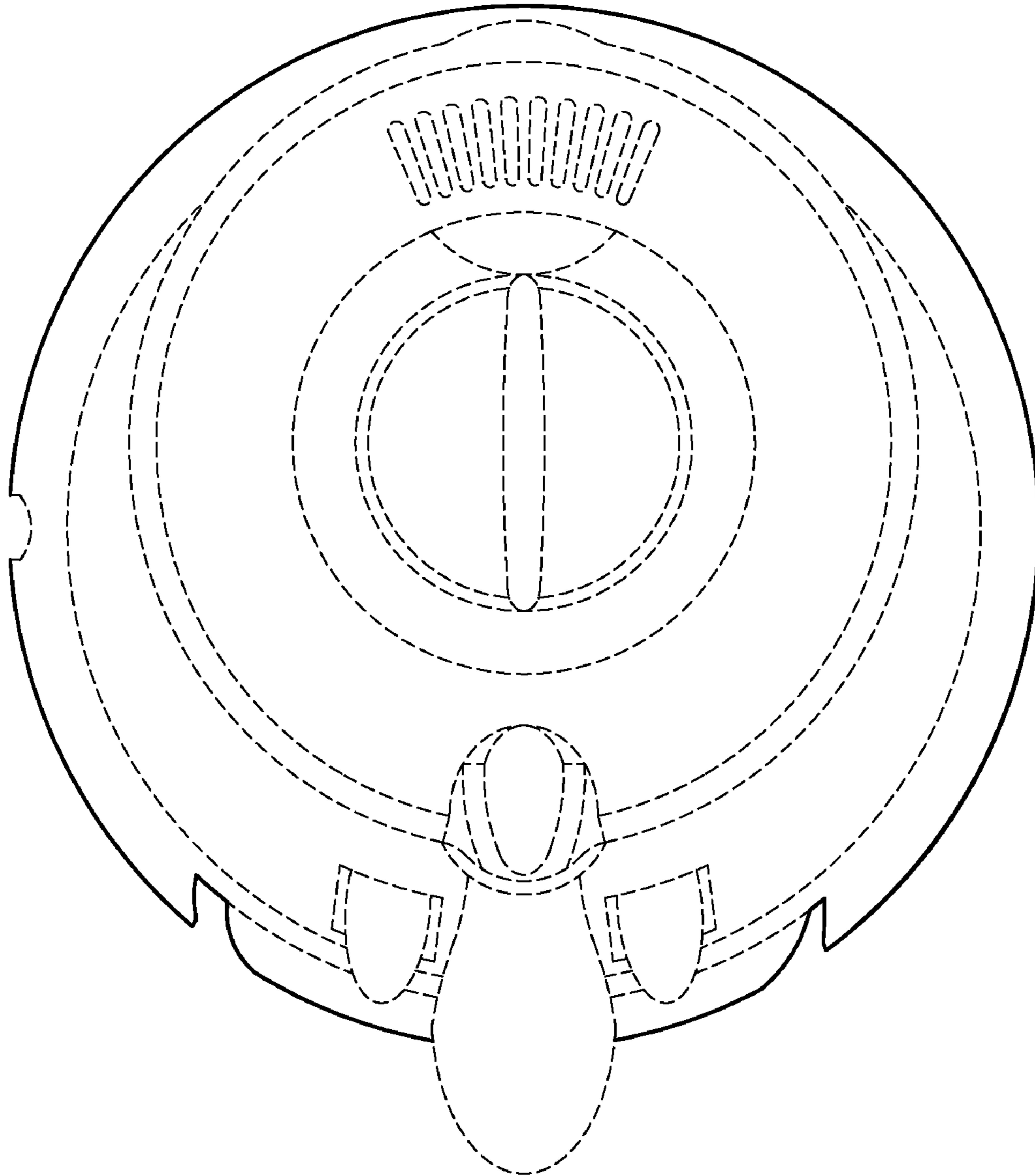


FIG. 6

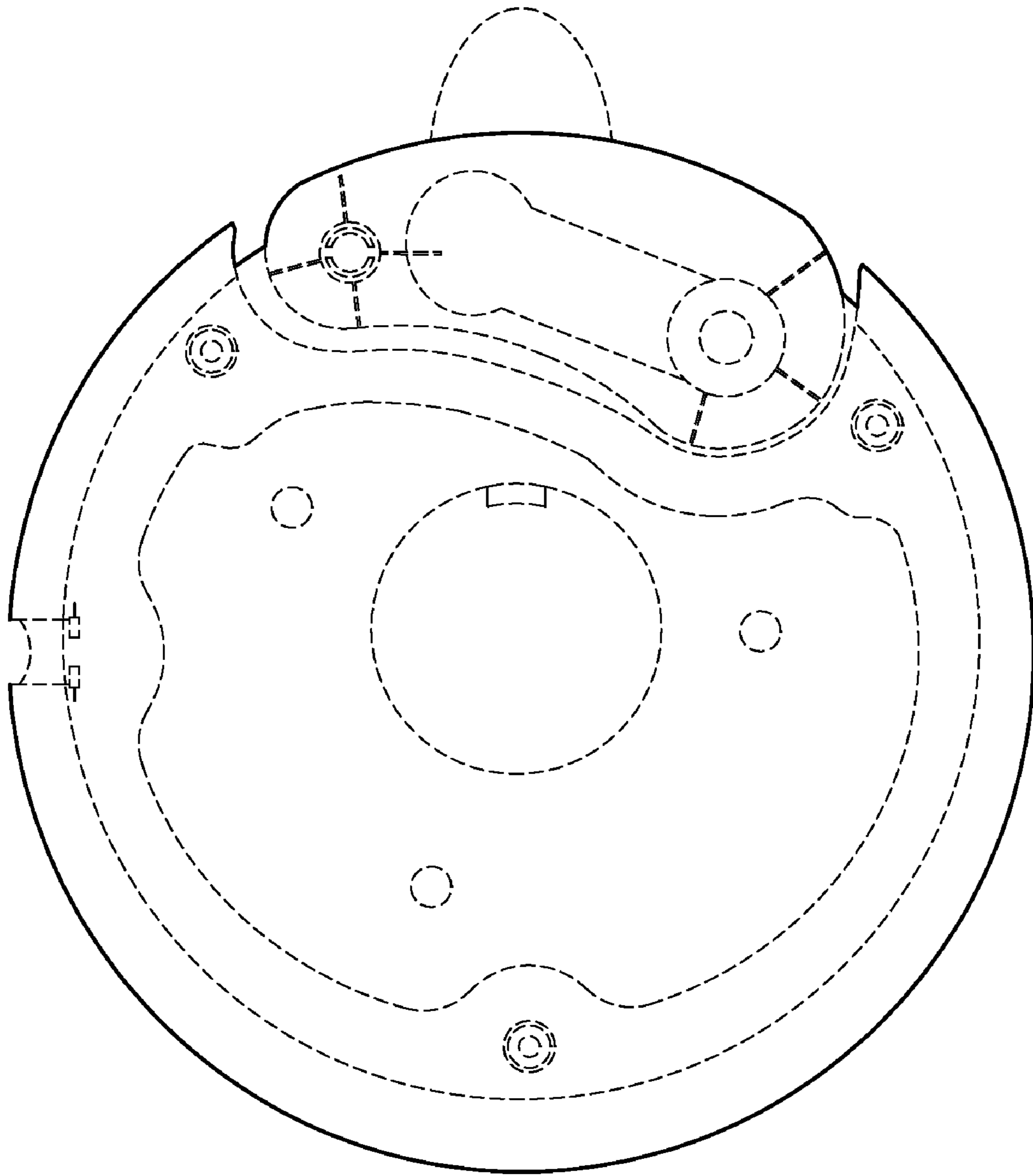


FIG. 7