

US00D584920S

(12) **United States Design Patent**
Munari

(10) **Patent No.:** **US D584,920 S**
(45) **Date of Patent:** **** Jan. 20, 2009**

(54) **COOKWARE HANDLE**
(75) Inventor: **Marco Munari**, Cardano Al Campo (IT)
(73) Assignee: **La Termoplastico F.B.M. S.r.l.** (IT)
(**) Term: **14 Years**
(21) Appl. No.: **29/287,803**
(22) Filed: **Sep. 21, 2007**

D470,011 S * 2/2003 Munari D7/394
D496,557 S * 9/2004 Munari D7/394
D510,231 S * 10/2005 Coudurier D7/393
D525,079 S * 7/2006 Munari D7/394

* cited by examiner

Primary Examiner—Holly H. Baynham
Assistant Examiner—Cynthia M Chin
(74) *Attorney, Agent, or Firm*—Davidson Berquist Jackson & Gowday LLP

(30) **Foreign Application Priority Data**
Mar. 23, 2007 (EM) 000694591

(57) **CLAIM**

The ornamental design for a cookware handle, as shown and described.

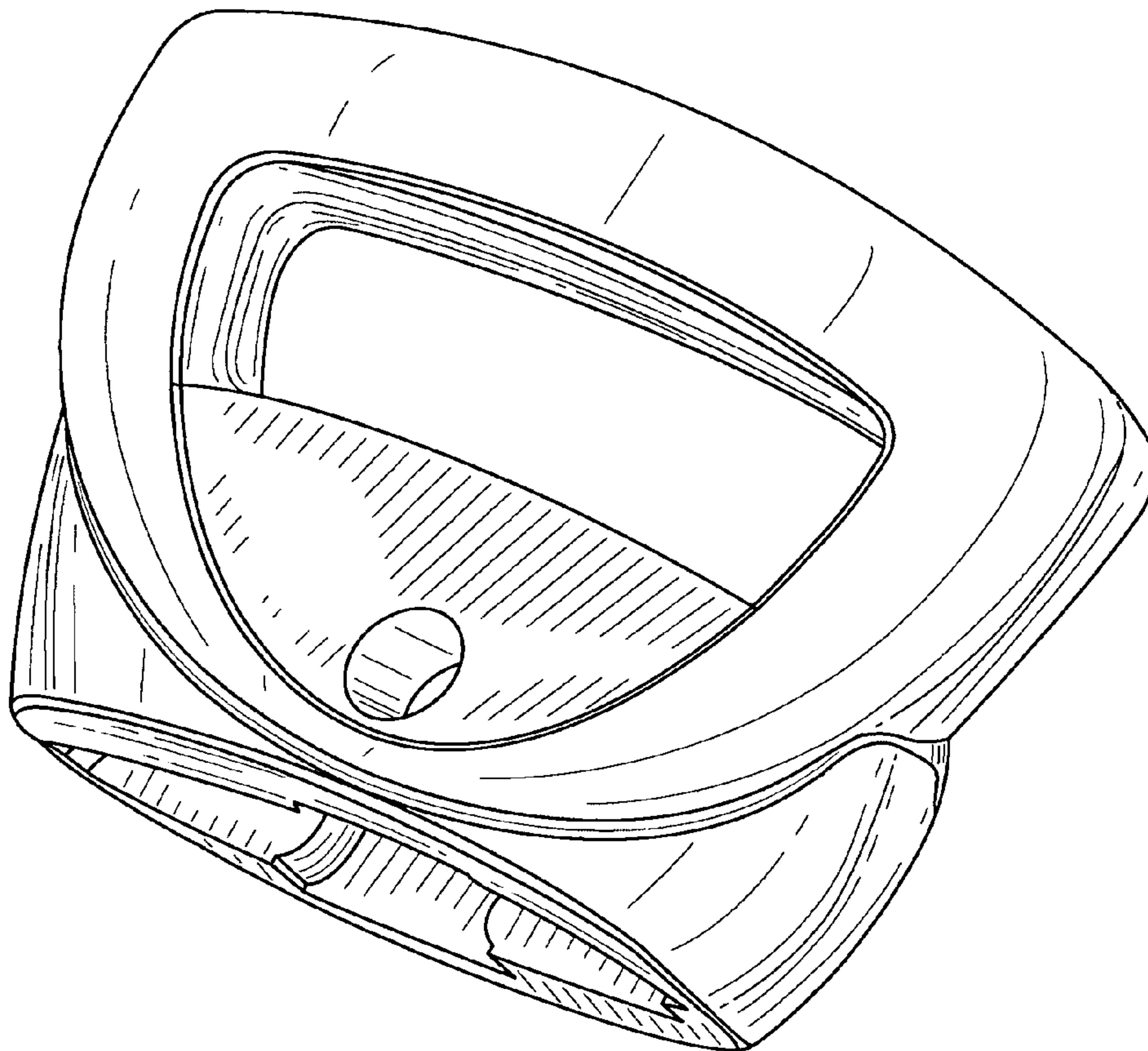
(51) **LOC (9) Cl.** **07-02**
(52) **U.S. Cl.** **D7/394**
(58) **Field of Classification Search** D7/354–361,
D7/393–395; D8/107, 307, 300; D4/138,
D4/129; 16/430, 431, 110.1, 407; 220/573.1–573.5,
220/752, 753, 755, 756, 759, 771, 912
See application file for complete search history.

DESCRIPTION

FIG. 1 is a bottom plan view of my new cookware handle design;
FIG. 2 is a rear elevation view thereof;
FIG. 3 is a top plan view thereof;
FIG. 4 is a front elevation view thereof;
FIG. 5 is a side elevation view thereof (the right side view being symmetrical); and,
FIG. 6 is a top/side perspective view thereof.

(56) **References Cited**
U.S. PATENT DOCUMENTS
D391,444 S * 3/1998 Munari D7/394
D444,345 S * 7/2001 Rae D7/394
D461,092 S * 8/2002 Coudurier D7/393

1 Claim, 4 Drawing Sheets



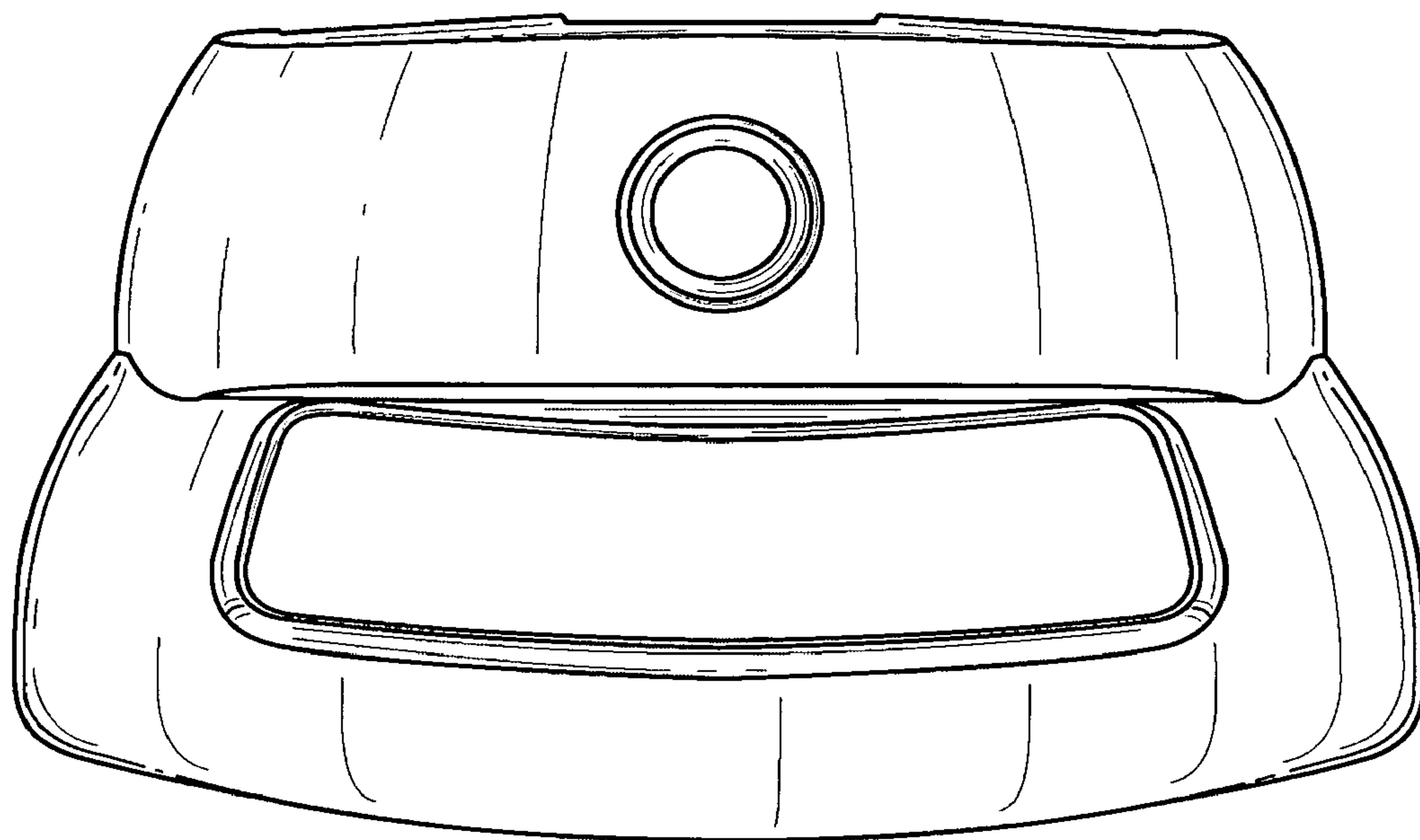


FIG. 1

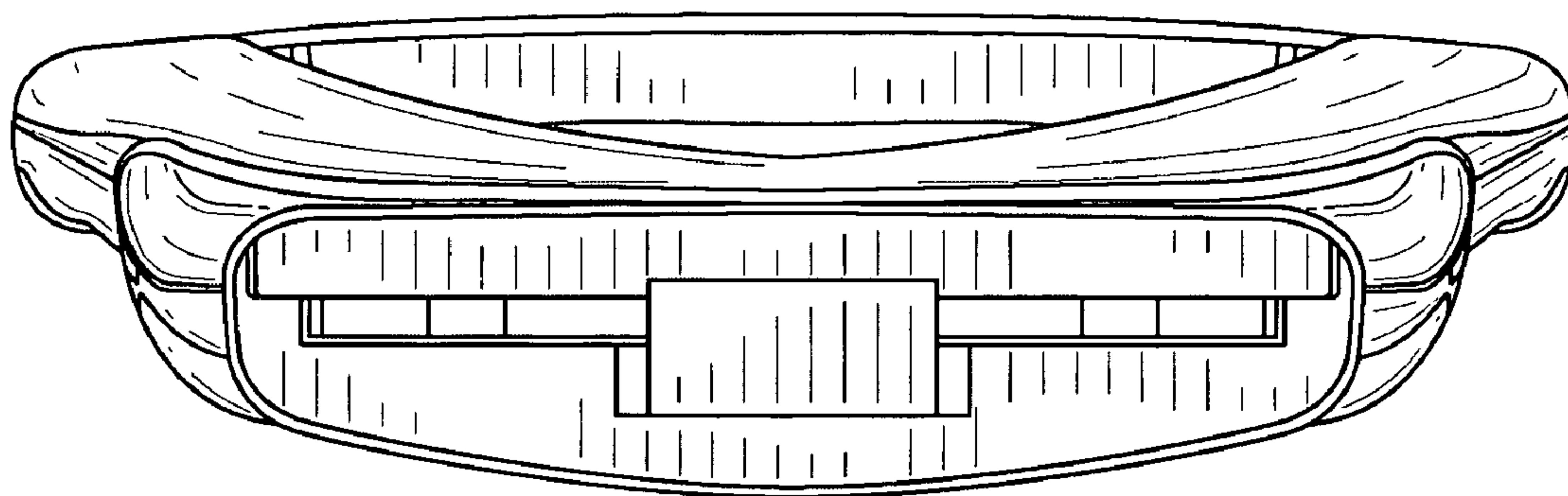


FIG. 2

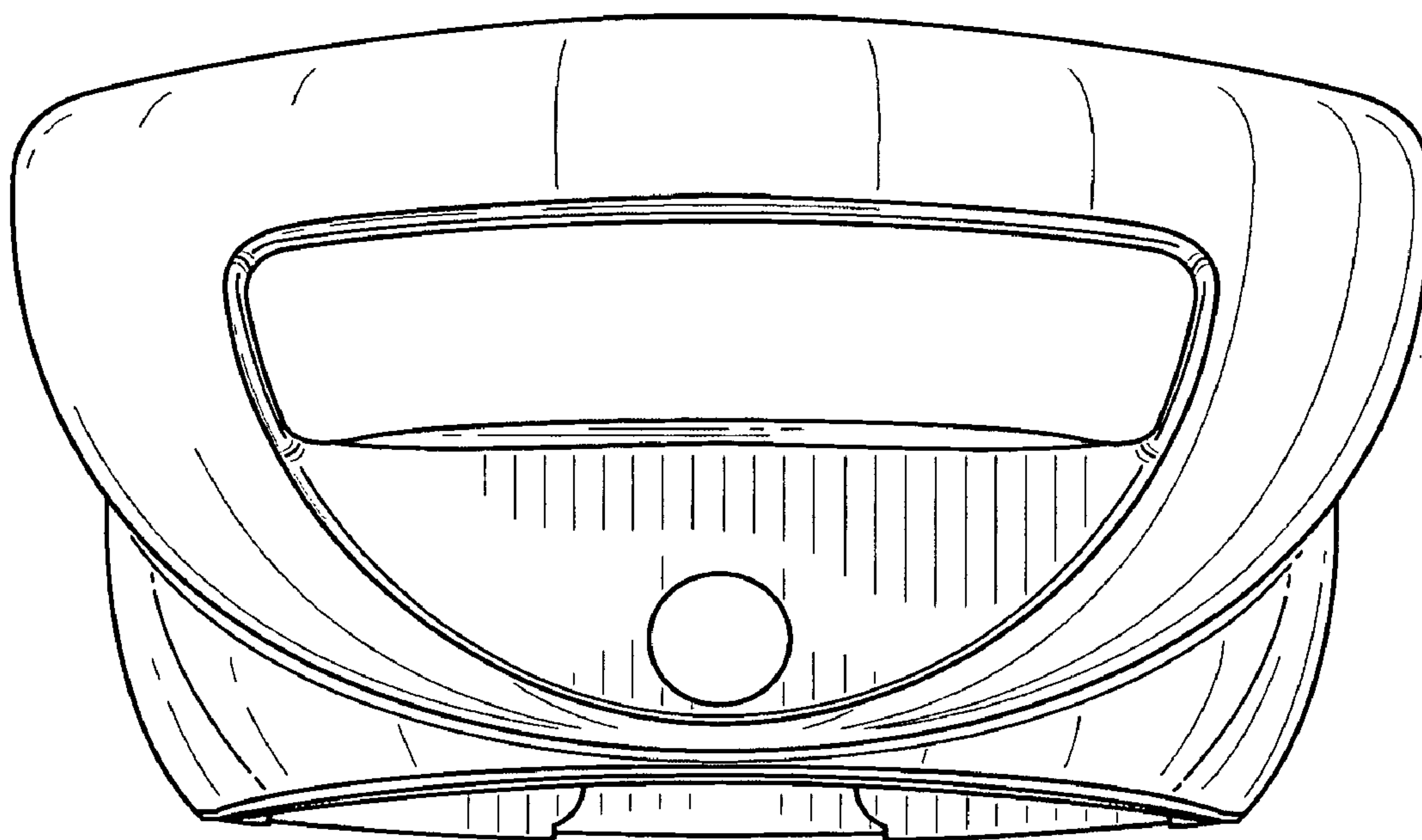


FIG. 3

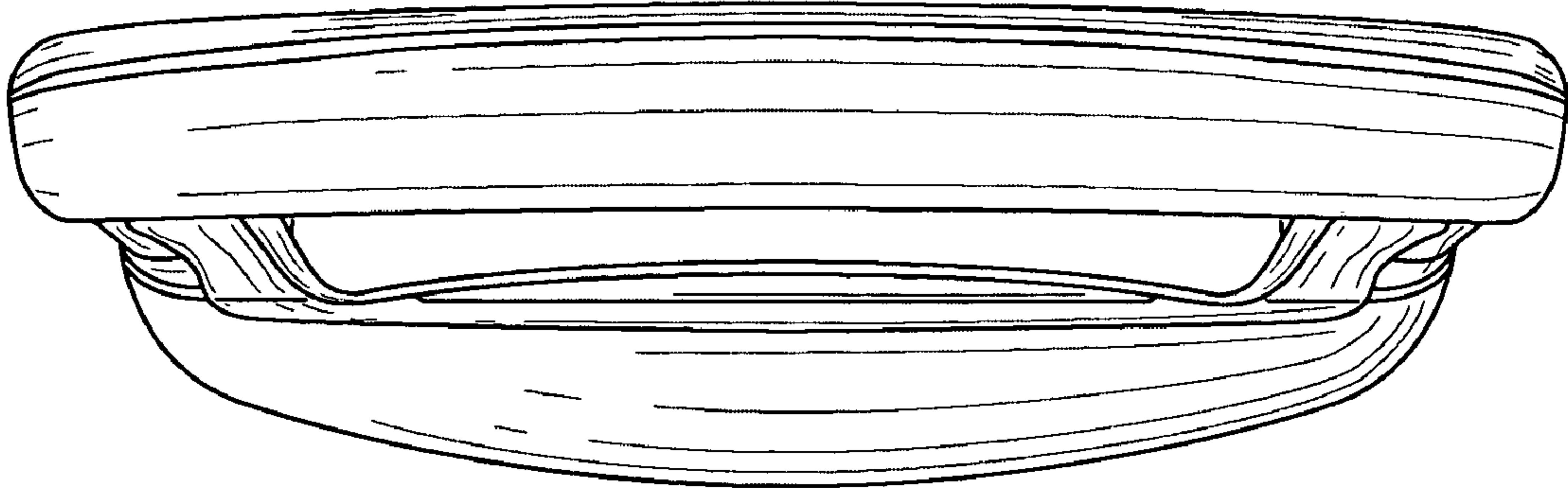


FIG. 4

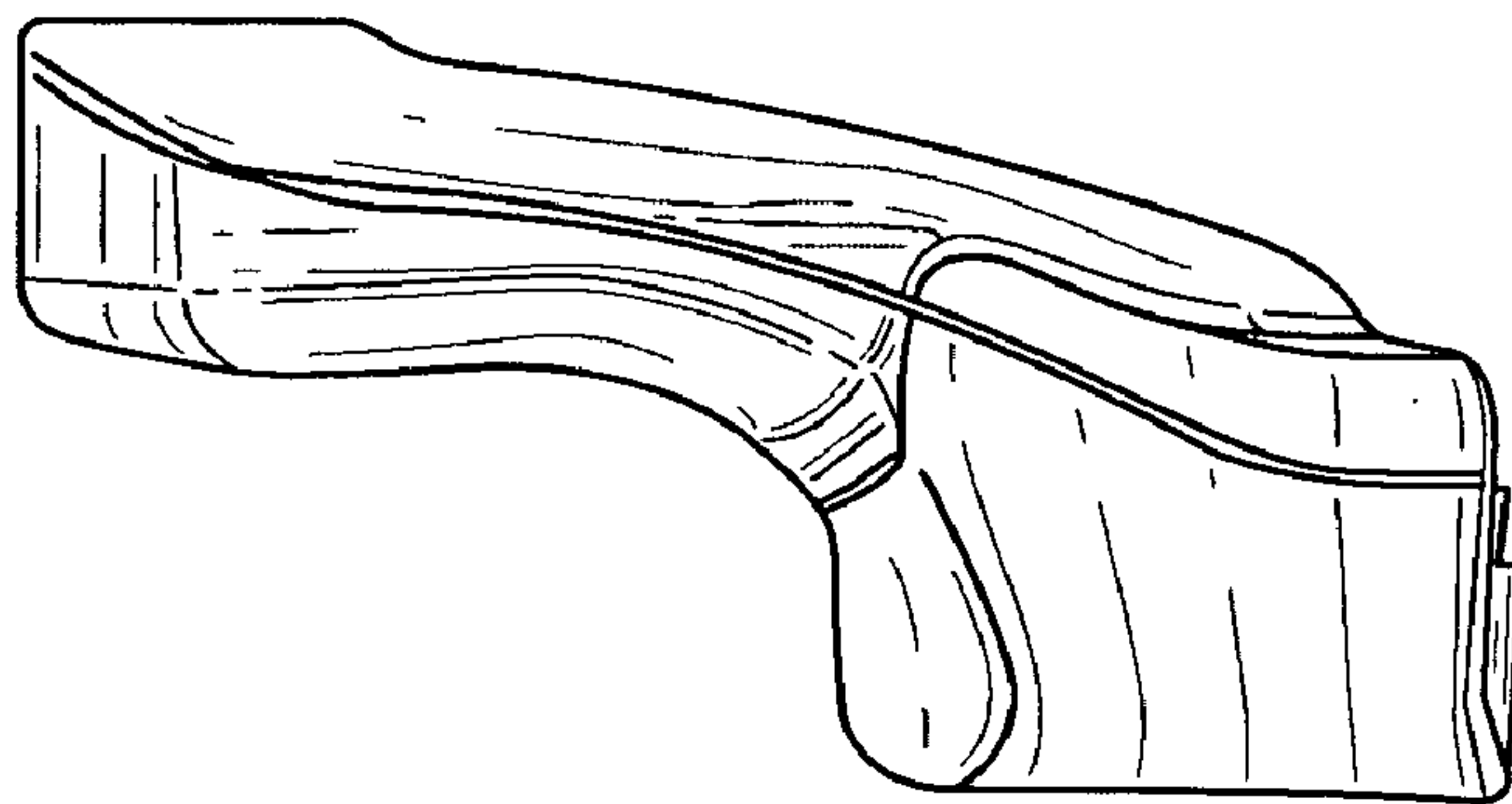


FIG. 5

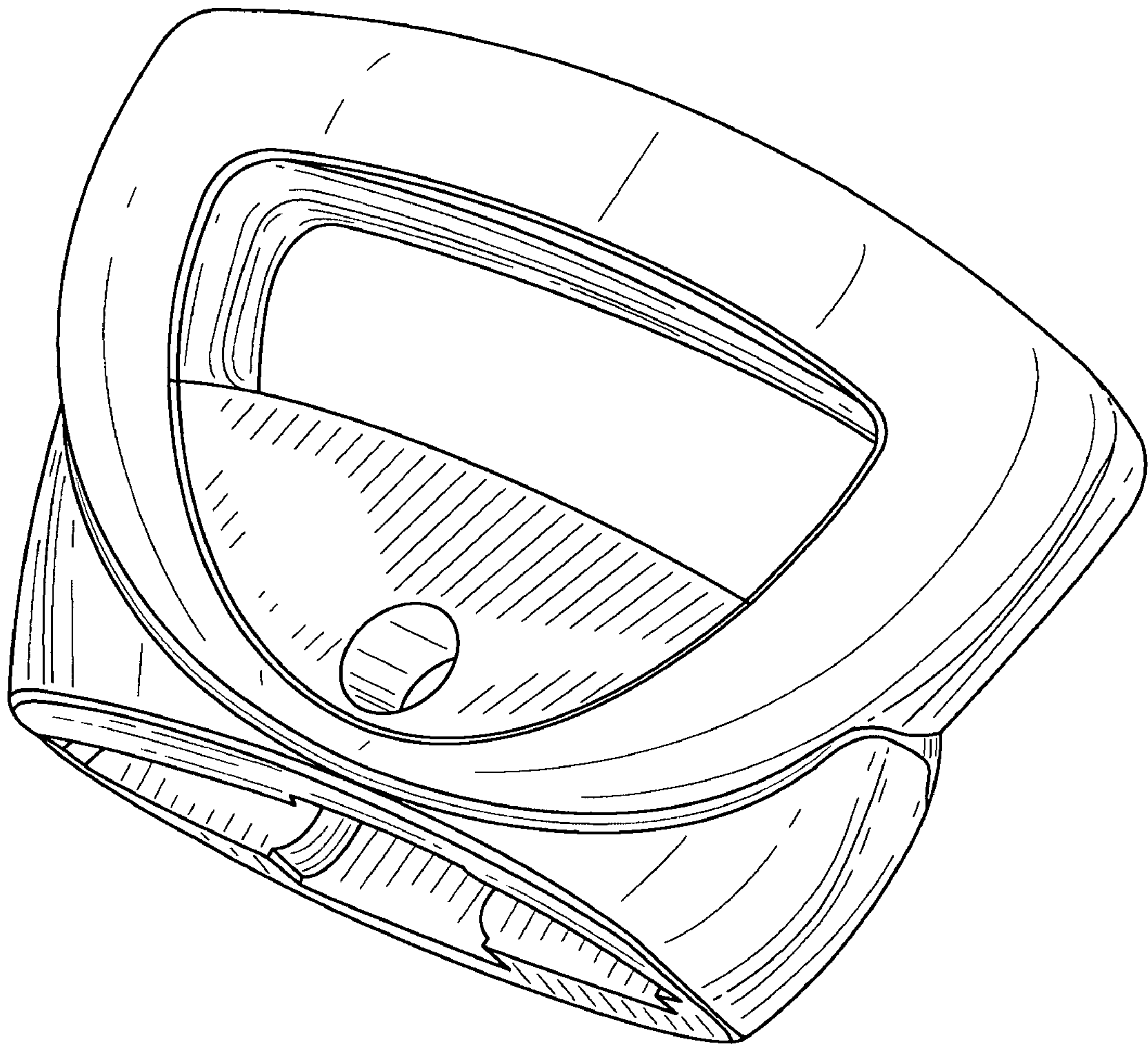


FIG. 6