



US00D584917S

(12) **United States Design Patent**
Mullen

(10) **Patent No.:** **US D584,917 S**
(45) **Date of Patent:** **** Jan. 20, 2009**

(54) **TOASTER GRILL**

(75) Inventor: **Darren Mullen**, Hampshire (GB)

(73) Assignee: **Kenwood Limited**, Hampshire (GB)

(**) Term: **14 Years**

(21) Appl. No.: **29/321,482**

(22) Filed: **Jul. 17, 2008**

(30) **Foreign Application Priority Data**

Jun. 12, 2008 (EM) 000949946

(51) **LOC (9) Cl.** **07-02**

(52) **U.S. Cl.** **D7/390**

(58) **Field of Classification Search** D7/323,
D7/328-333, 339-341, 346, 354-365, 367,
D7/388-390, 400-402, 405-414, 421 A;
D13/158, 162, 162.1, 163; 99/331-332,
99/357, 375, 385, 421 A, 421 H, 421 HH,
99/421 R, 449-450; 126/25 R; 219/214,
219/388, 405, 443.1, 450.1, 492, 532

See application file for complete search history.

(56) **References Cited**

U.S. PATENT DOCUMENTS

- 475,884 A * 5/1892 Murrey 99/388
- 1,312,616 A * 8/1919 Cowan 99/402
- 1,733,137 A * 10/1929 Spang 99/400
- 2,849,947 A * 9/1958 Bork 99/402
- 2,915,000 A * 12/1959 Hetzel 99/327
- 2,925,771 A * 2/1960 Avetta 99/393
- 2,941,463 A * 6/1960 Di Cuia 99/393
- 2,962,957 A * 12/1960 Bork 99/402
- 3,046,870 A * 7/1962 Bork 99/402
- 3,094,061 A * 6/1963 Cole 99/402
- 3,604,408 A * 9/1971 Tescula 126/25 R
- 4,184,419 A * 1/1980 Ponte 99/402
- 4,290,349 A * 9/1981 Fiorenza 99/388
- 5,317,960 A * 6/1994 Cumfer 99/391
- D384,858 S * 10/1997 Kurz D7/390

- 5,735,191 A * 4/1998 Russell et al. 99/339
- 5,887,513 A * 3/1999 Fielding et al. 99/421 A
- D428,765 S * 8/2000 Hughes D7/411
- D444,340 S * 7/2001 Wang D7/323
- D469,297 S * 1/2003 Bouhuys et al. D7/330
- 6,526,876 B2 * 3/2003 Kahler et al. 99/394
- D505,584 S * 5/2005 Sowden et al. D7/330
- D522,305 S * 6/2006 Morgan D7/330
- D532,654 S * 11/2006 Raichlen et al. D7/409

FOREIGN PATENT DOCUMENTS

FR 2672484 A1 * 8/1992

* cited by examiner

Primary Examiner—Caron Veynar

Assistant Examiner—Ricky Pham

(74) *Attorney, Agent, or Firm*—Martin Fleit; Paul D. Bianco;
Fleit Gibbons Gutman Bongini & Bianco PL

(57) **CLAIM**

The ornamental design for a toaster grill, as shown and described.

DESCRIPTION

FIG. 1 is a perspective view of the toaster grill according to the present invention, shown in an open position for ease of illustration;

FIG. 2 is a first side view thereof; shown in a closed position for ease of illustration;

FIG. 3 is a second side view;

FIG. 4 is a back view;

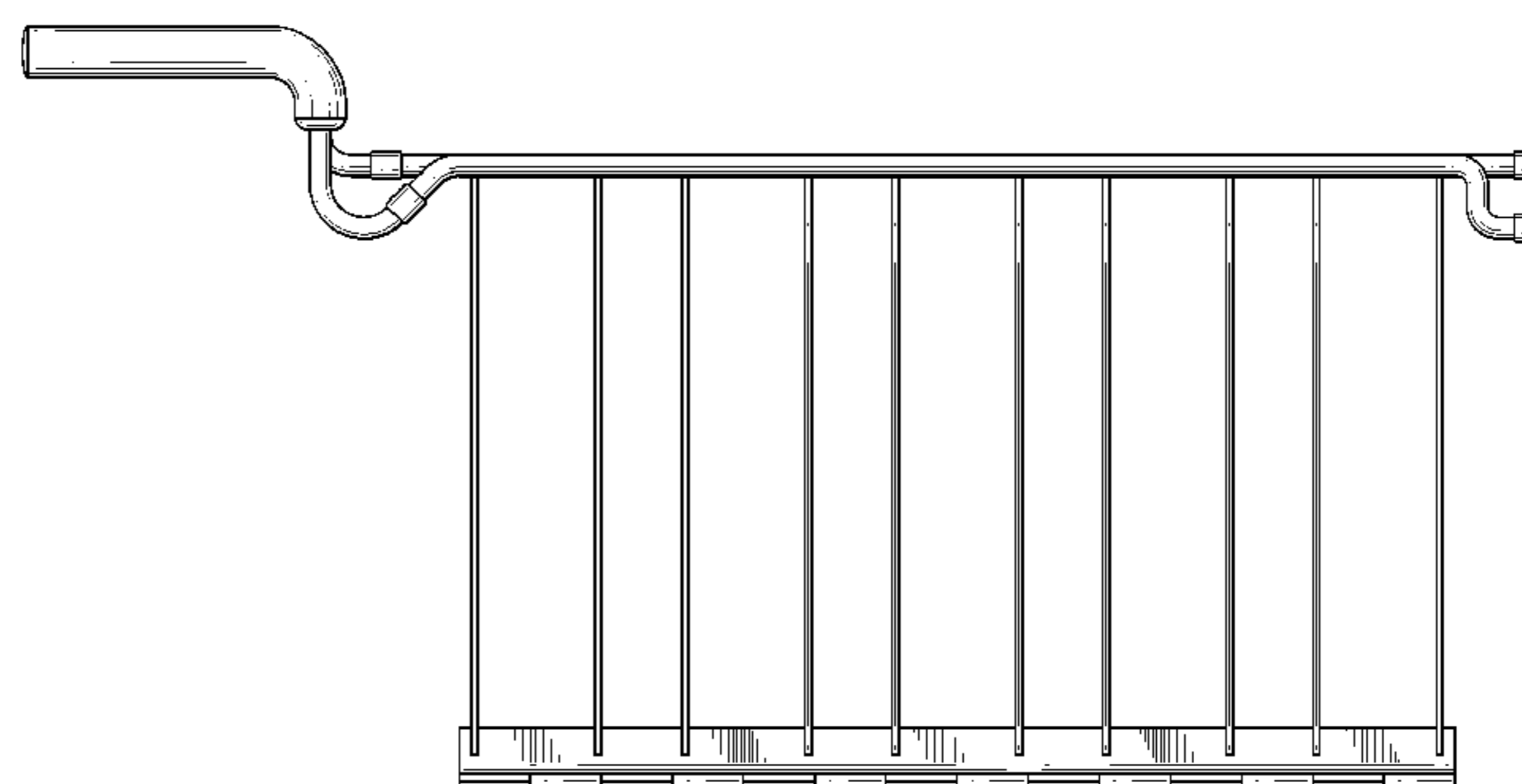
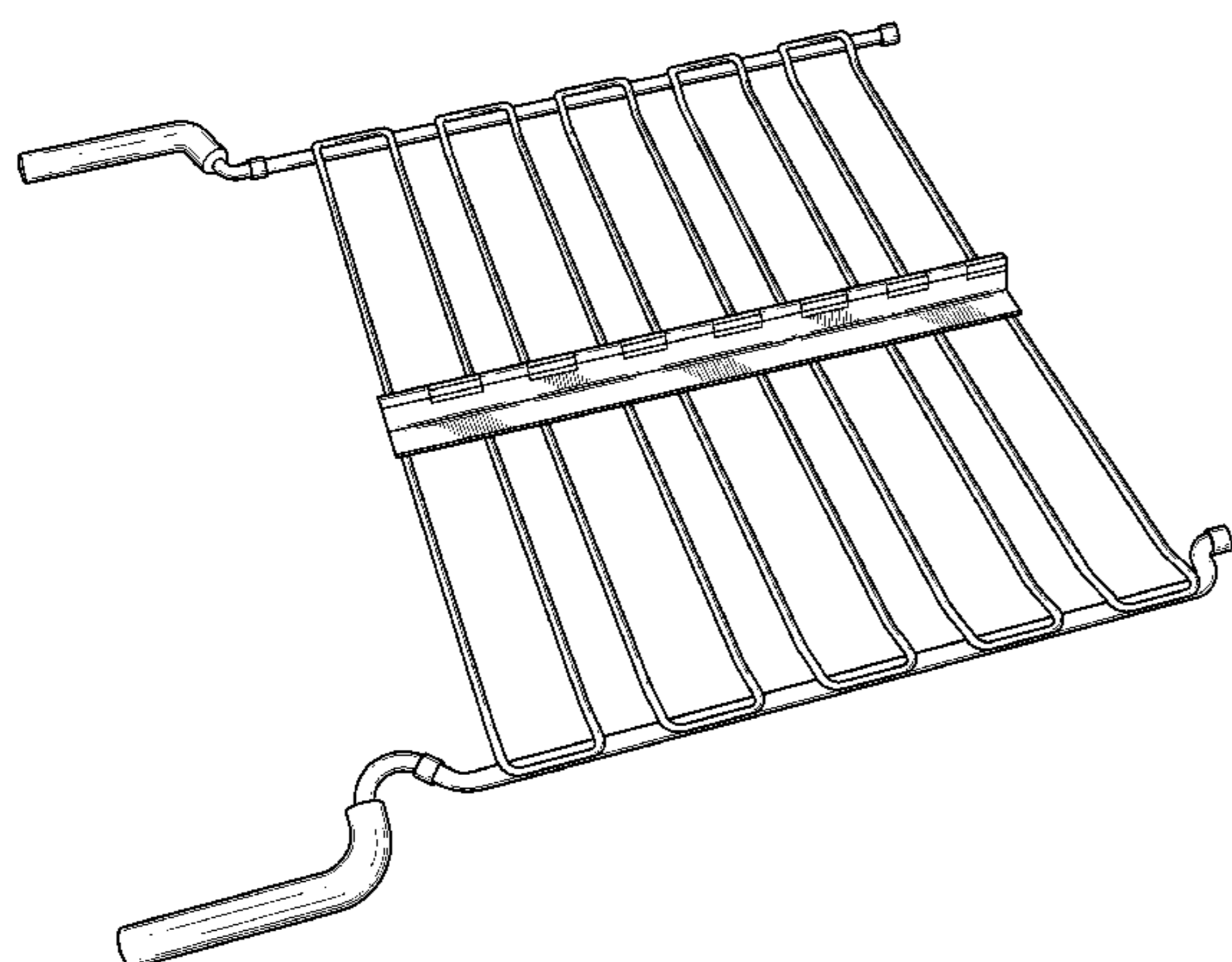
FIG. 5 is a front view;

FIG. 6 is a top view;

FIG. 7 is a bottom view; and,

FIG. 8 is a perspective view showing the toaster grill positioned in a toaster, the broken line showing of the toaster is for illustrative purposes only and forms no part of the claimed design.

1 Claim, 6 Drawing Sheets



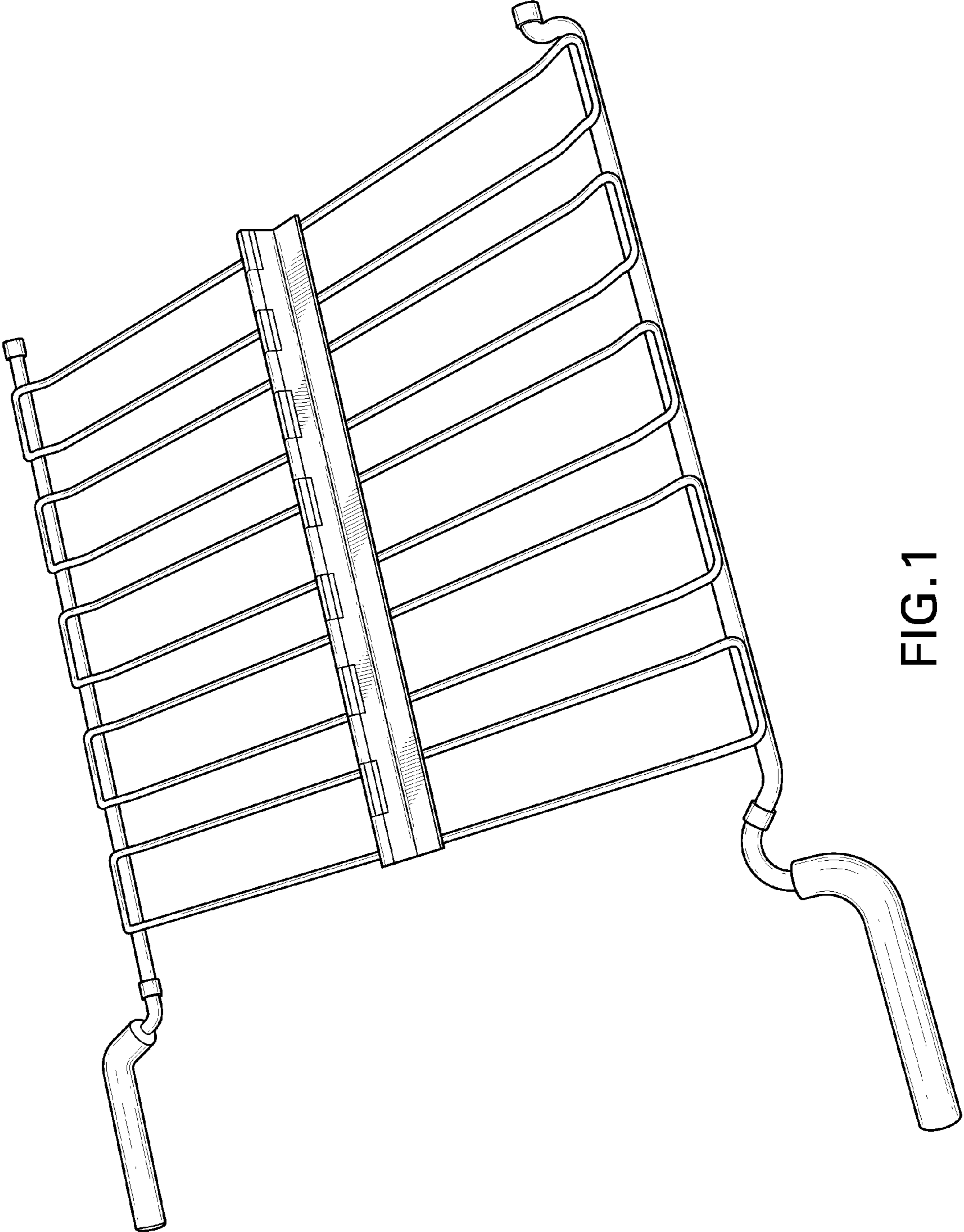


FIG. 1

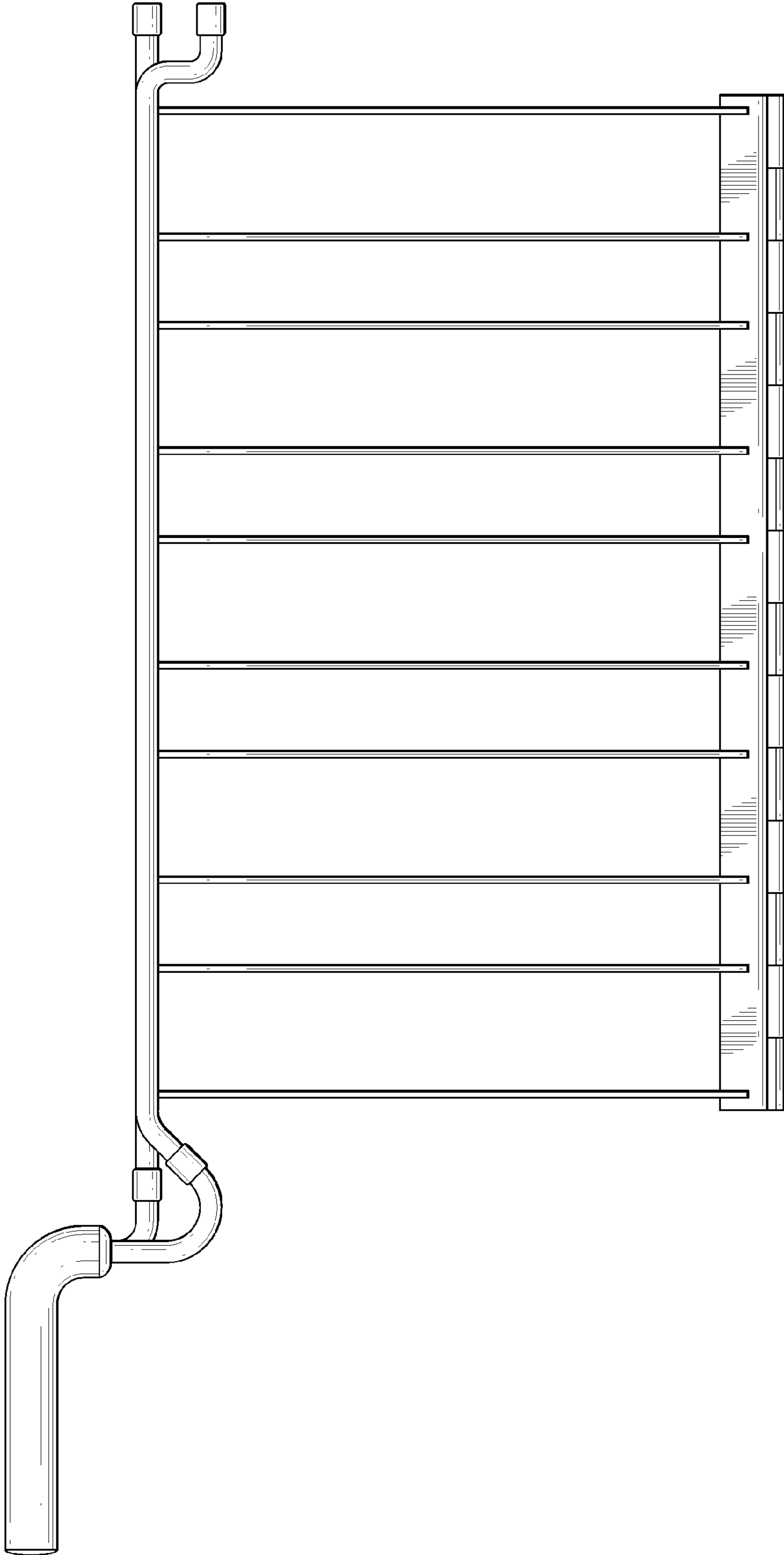


FIG. 2

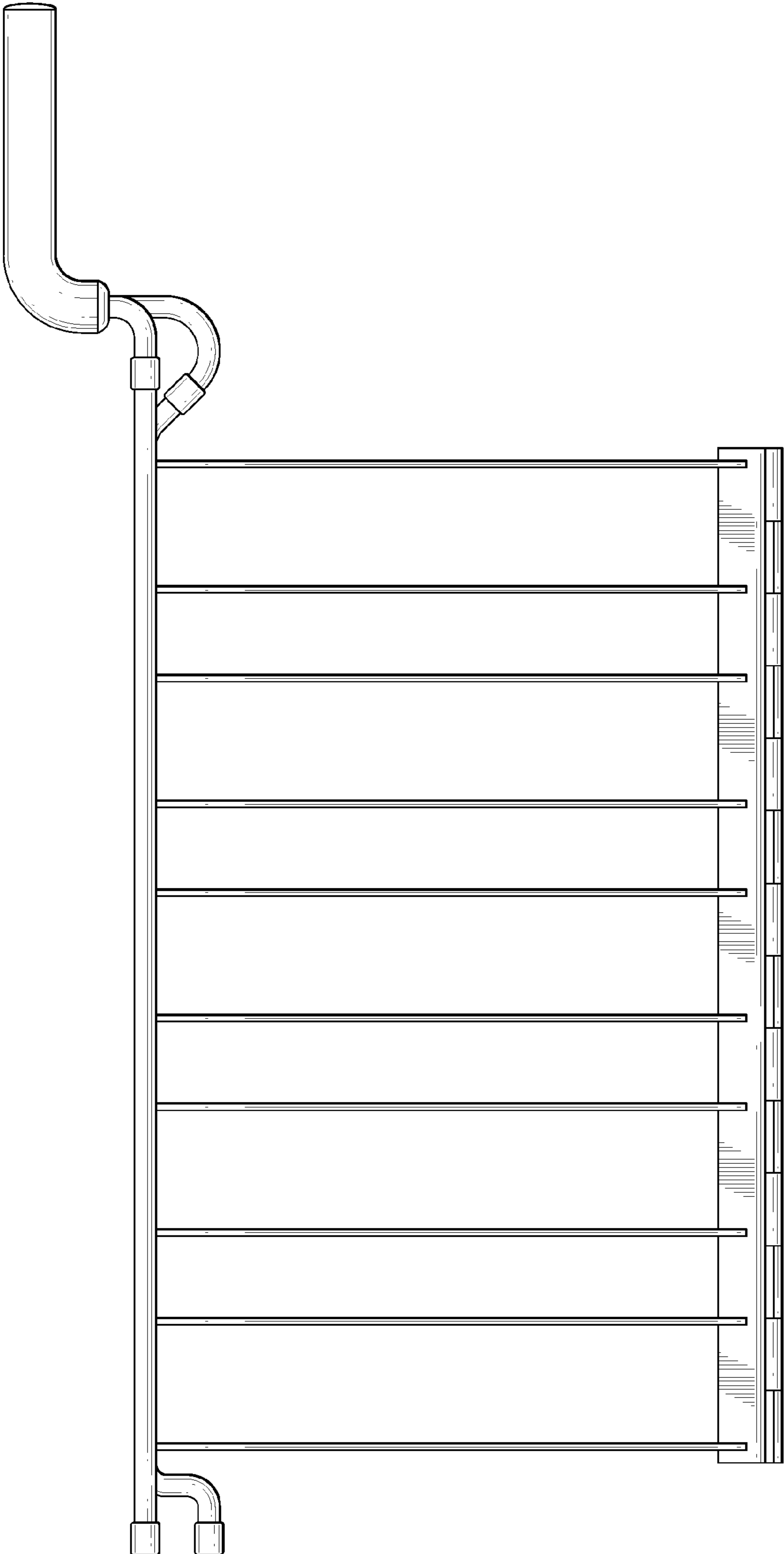


FIG. 3

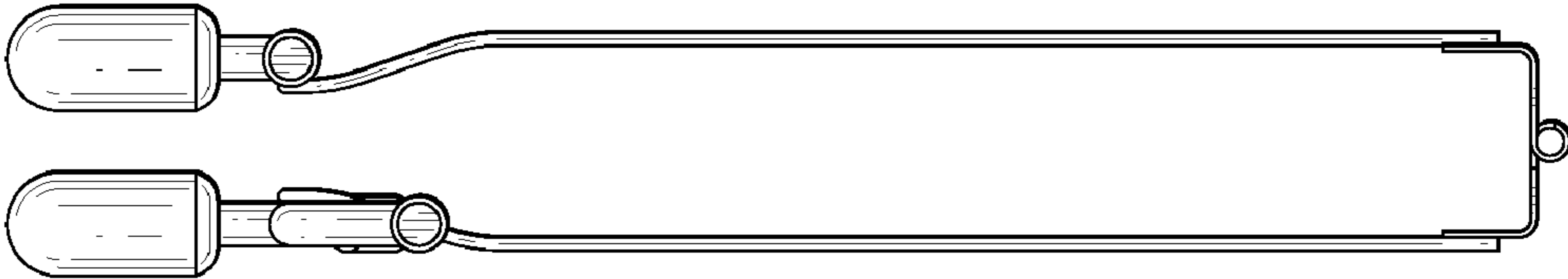


FIG. 5

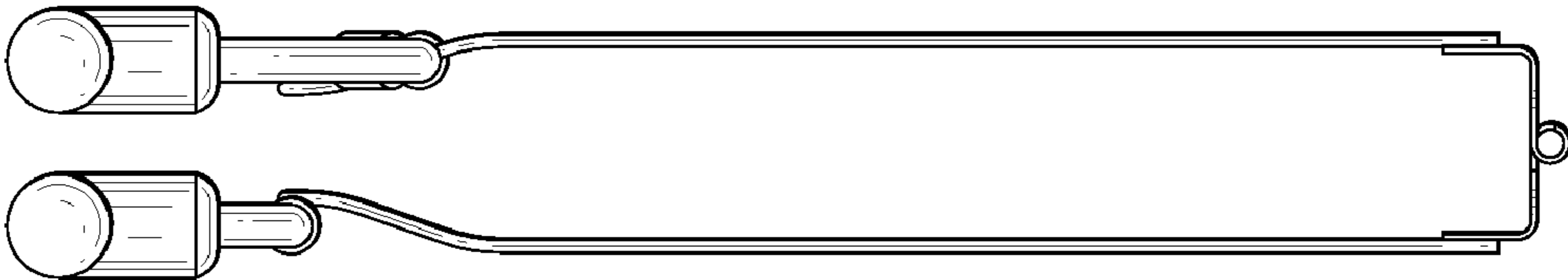


FIG. 4

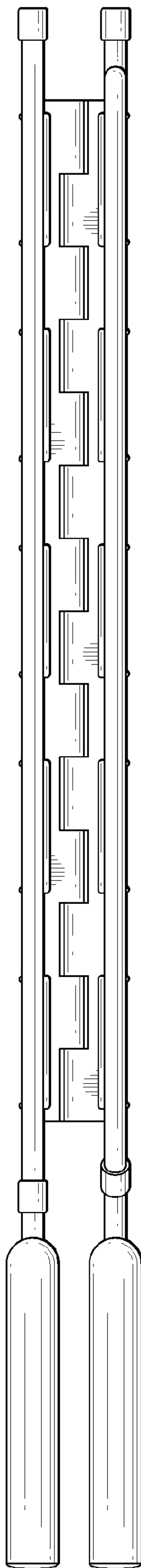


FIG. 6

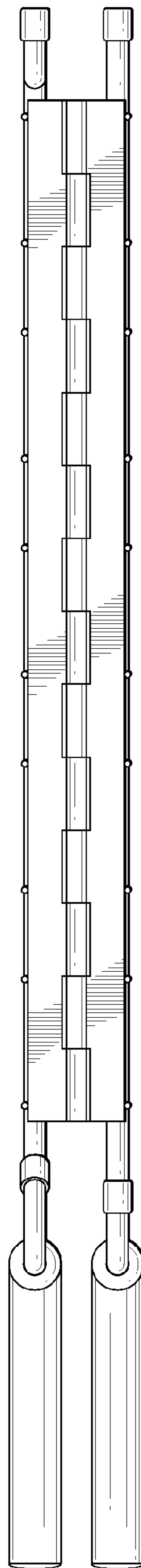


FIG. 7

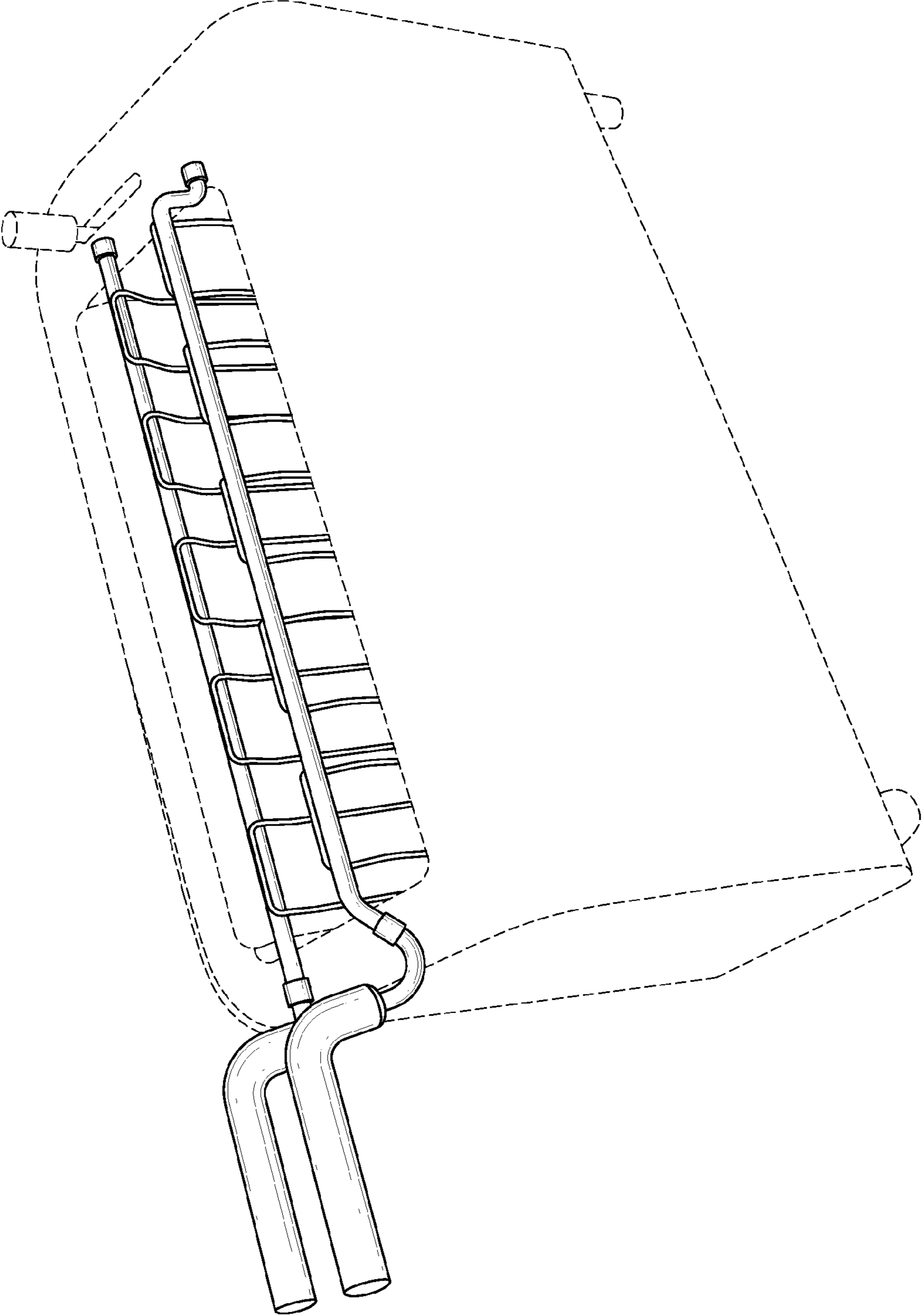


FIG. 8