



US00D584915S

(12) **United States Design Patent**  
**Brown**

(10) **Patent No.:** **US D584,915 S**

(45) **Date of Patent:** **\*\* Jan. 20, 2009**

(54) **MICROWAVE COOKING DEVICE**

(76) Inventor: **Don Brown**, 4 Westwind, Laguna Niguel, CA (US) 92677

(\*\*) Term: **14 Years**

(21) Appl. No.: **29/306,055**

(22) Filed: **Apr. 1, 2008**

(51) **LOC (9) Cl.** ..... **07-02**

(52) **U.S. Cl.** ..... **D7/354**

(58) **Field of Classification Search** ..... D7/350.1, D7/350.3, 350.4, 351, 402, 405, 354, 358, D7/323, 325, 361; 126/19 M, 275 E; 219/756-758, 219/679, 680, 725, 727, 734, 435, 728, 729, 219/732, 762, 686, 735; 99/DIG. 14, 427; 426/107; 220/367.1

See application file for complete search history.

(56) **References Cited**

**U.S. PATENT DOCUMENTS**

D161,793 S *	1/1951	Sellon, Jr. ....	D7/354
D239,246 S *	3/1976	Kawata .....	D7/351
3,941,967 A *	3/1976	Sumi et al. ....	219/729
D258,106 S *	2/1981	Vieceli .....	D7/354
4,317,017 A *	2/1982	Bowen .....	219/729
D280,062 S *	8/1985	Cesaroni .....	D7/325
D289,359 S *	4/1987	Vaeth et al. ....	D7/325
D300,108 S *	3/1989	Iwahashi .....	D7/351
D303,606 S *	9/1989	Hatanaka .....	D7/351
5,229,563 A *	7/1993	Isogai et al. ....	219/735
5,750,967 A *	5/1998	Sprauer, Jr. ....	219/735
D436,286 S *	1/2001	Lin .....	D7/354
D544,293 S *	6/2007	Chan .....	D7/354
D578,336 S *	10/2008	Kim .....	D7/354

2005/0016997 A1\* 1/2005 Wang ..... 219/734

**OTHER PUBLICATIONS**

Microwaveable S'Mores Maker. Retrieved on Oct. 17, 2008. Retrieved from Internet: <http://unclutterer.com/tag/microwave>.  
S'Mores Maker. Retrieved on Oct. 17, 2008. Retrieved from Internet: <http://www.amazon.com/Spin-Master-SMores-Maker/dp/B0002GN6NY>.

\* cited by examiner

*Primary Examiner*—Ruth McInroy

(74) *Attorney, Agent, or Firm*—Quick Patents, Inc.; Kevin Prince

(57) **CLAIM**

I claim the ornamental design for a microwave cooking device, as shown and described.

**DESCRIPTION**

FIG. 1 is a perspective view of a microwave cooking device, illustrated with a plunger thereof in a lowered position, showing my new design;

FIG. 2 is a front elevational view of the invention, illustrated with the plunger in a raised position;

FIG. 3 is a rear elevational view of the invention, illustrated with the plunger in the raised position;

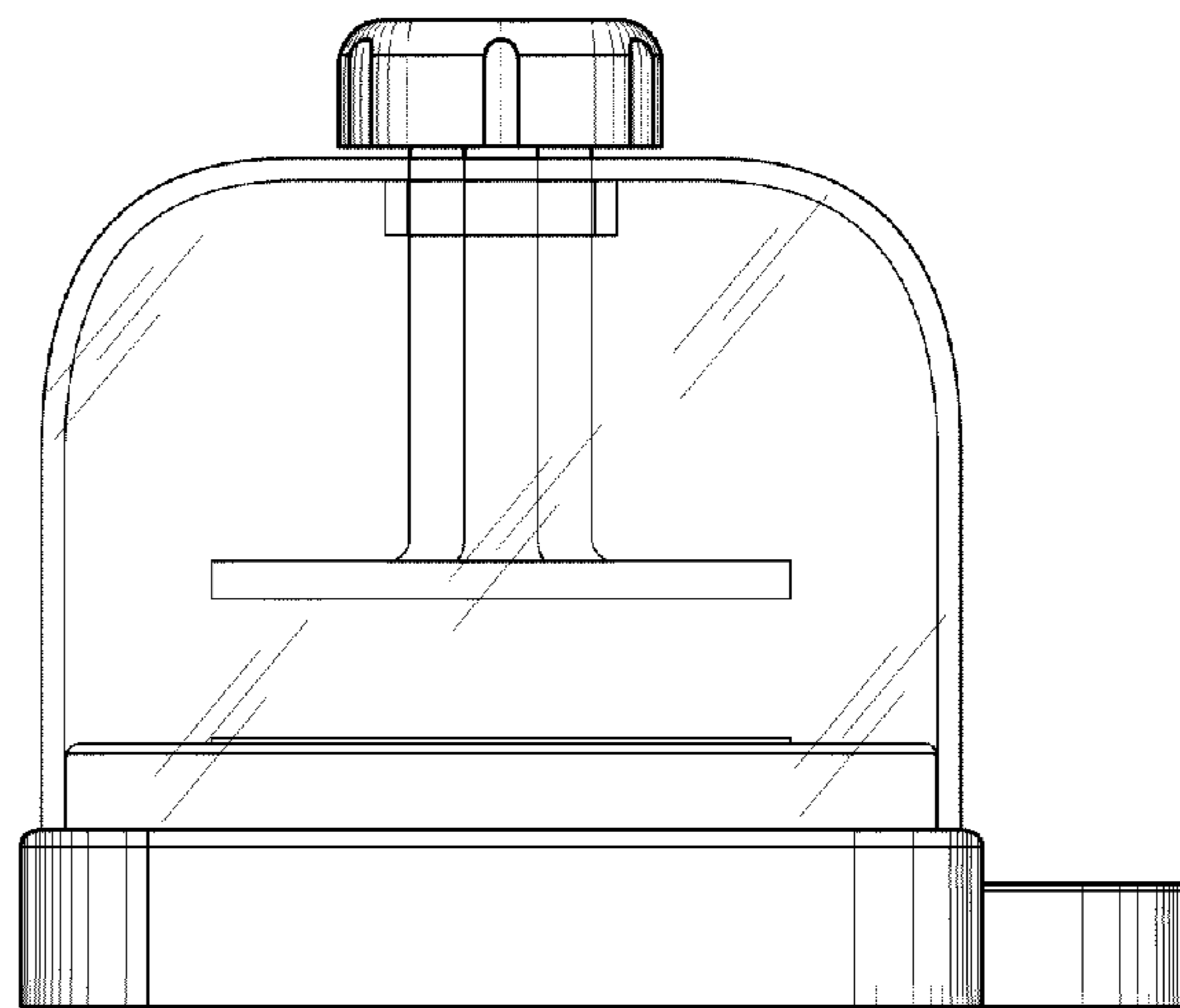
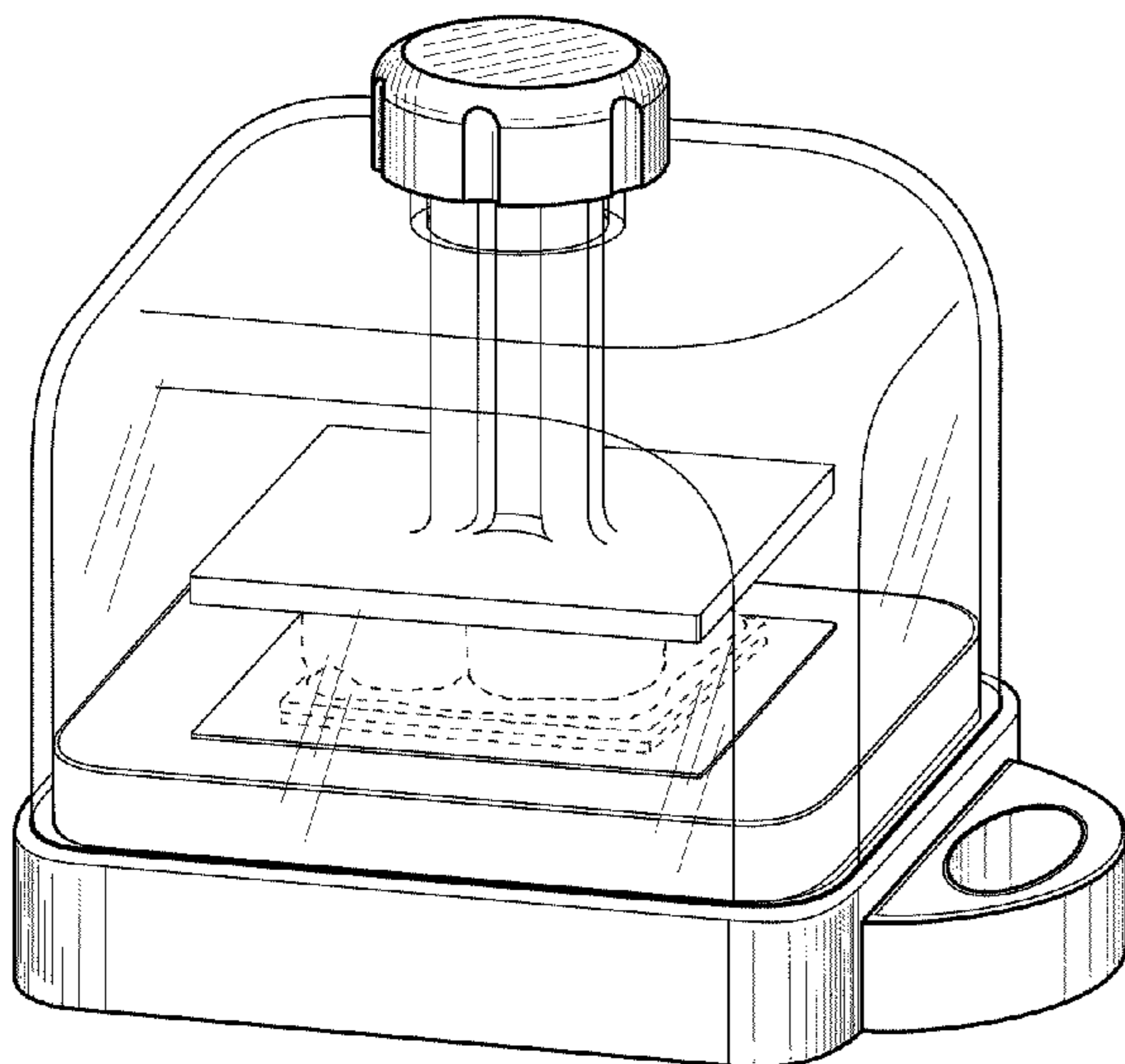
FIG. 4 is a left-side elevational view of the invention, illustrated with the plunger in the raised position, the right-side elevational view being a mirror image thereof,

FIG. 5 is a top plan view of the invention; and,

FIG. 6 is a bottom plan view of the invention.

The broken lines showing a food item in FIG. 1 are included for the purpose of illustrating a microwave cooking device in use, and form no part of the claimed design.

**1 Claim, 2 Drawing Sheets**



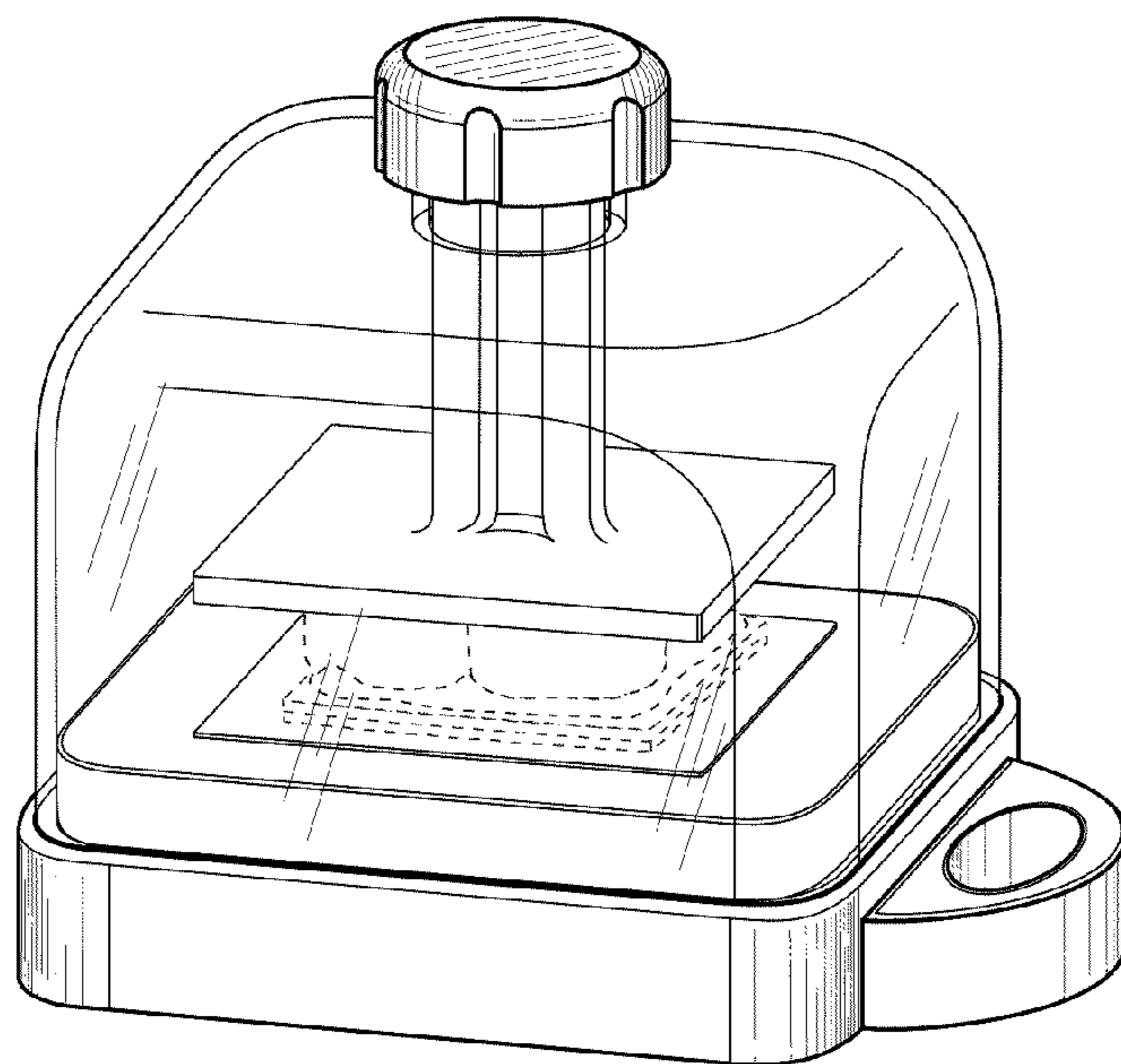


FIG. 1

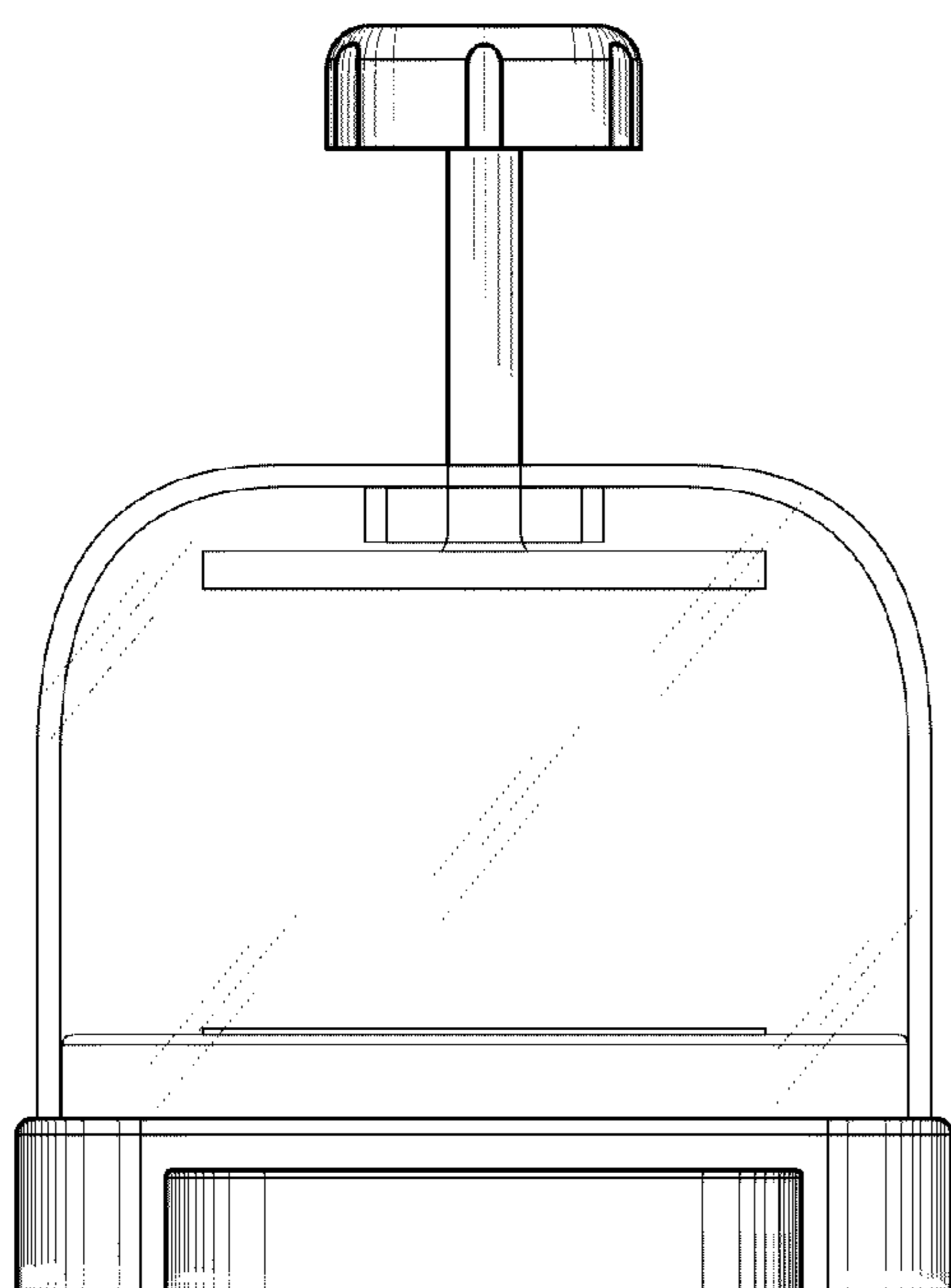


FIG. 2

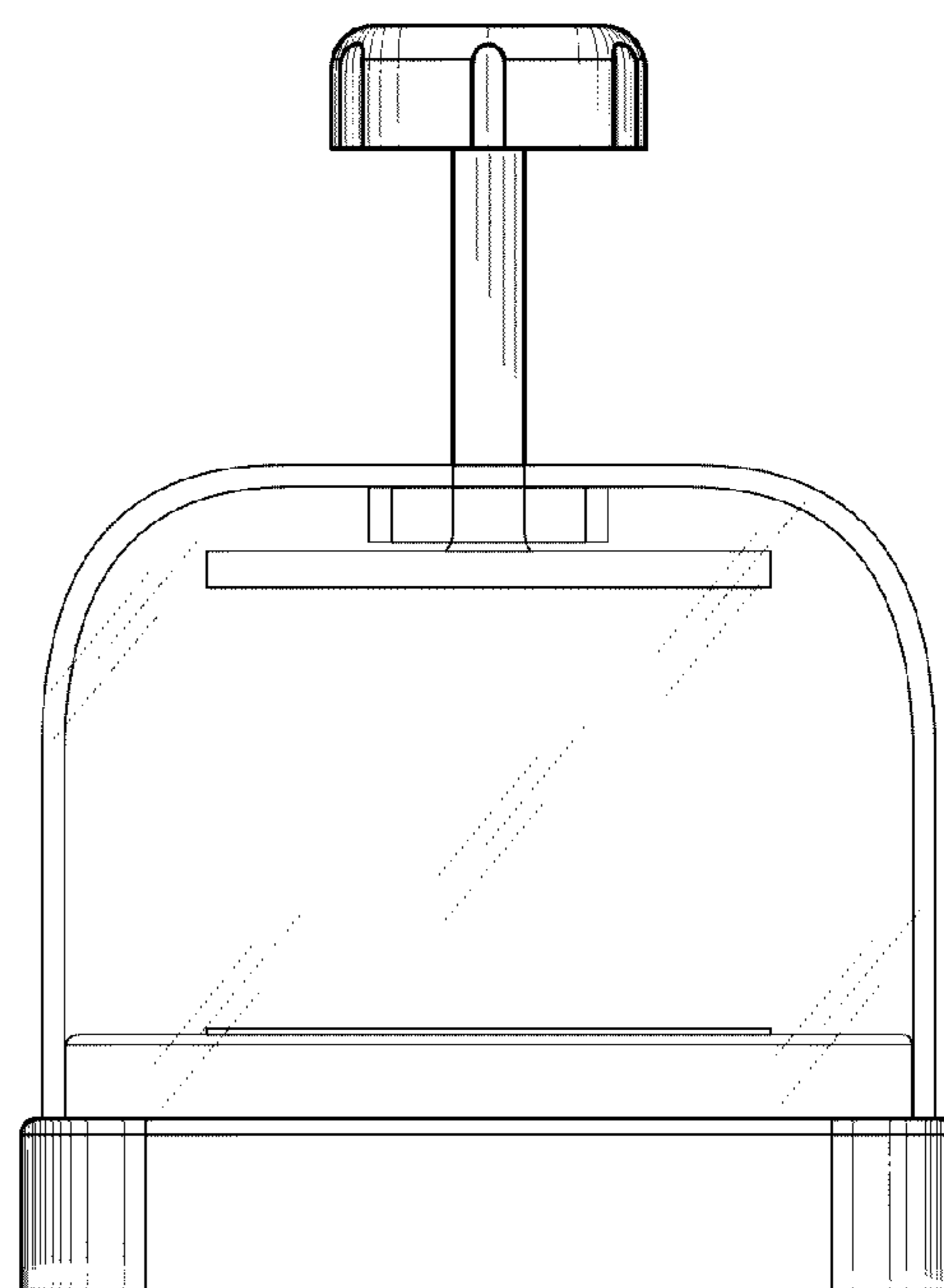


FIG. 3

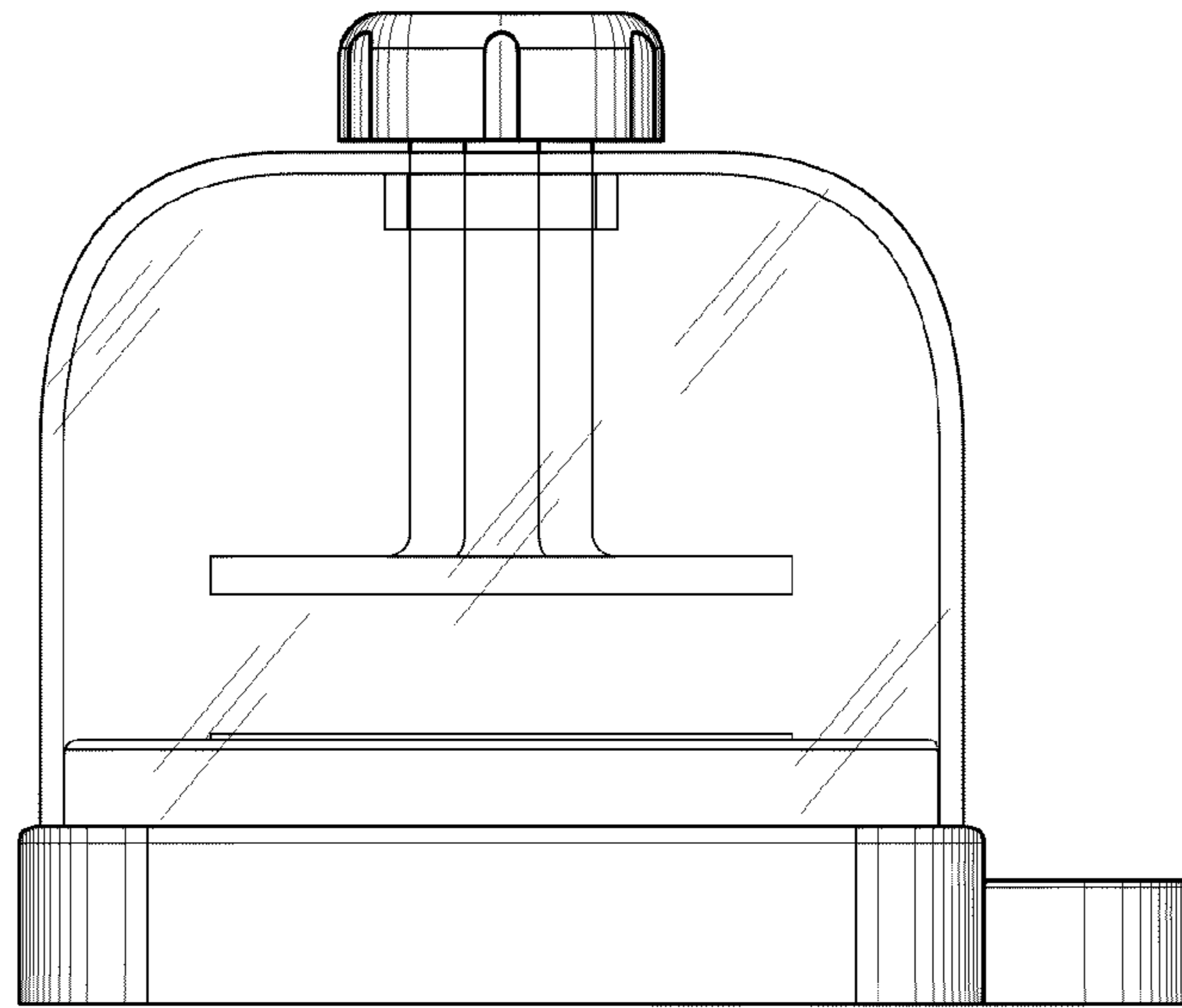


FIG. 4

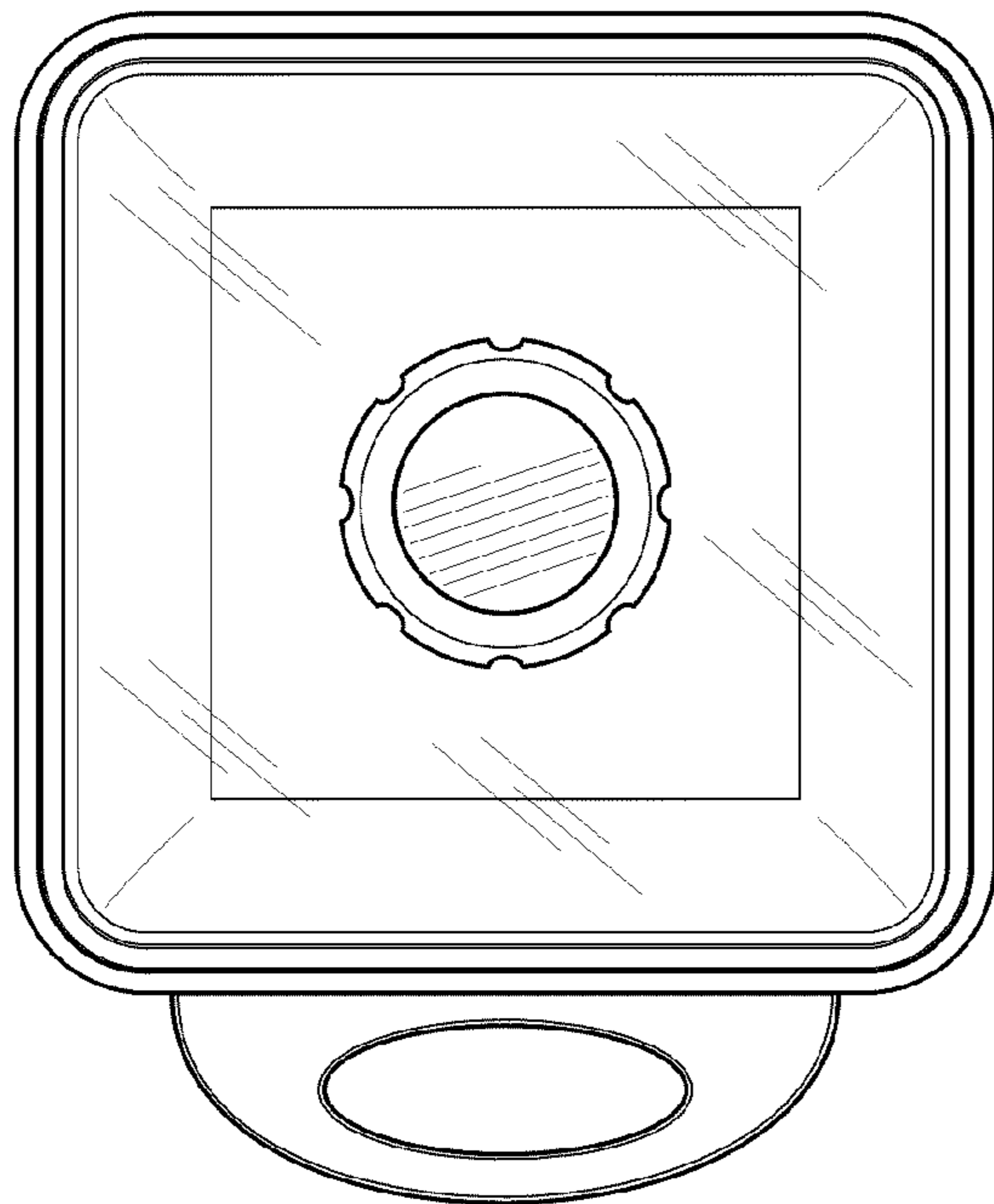


FIG. 5

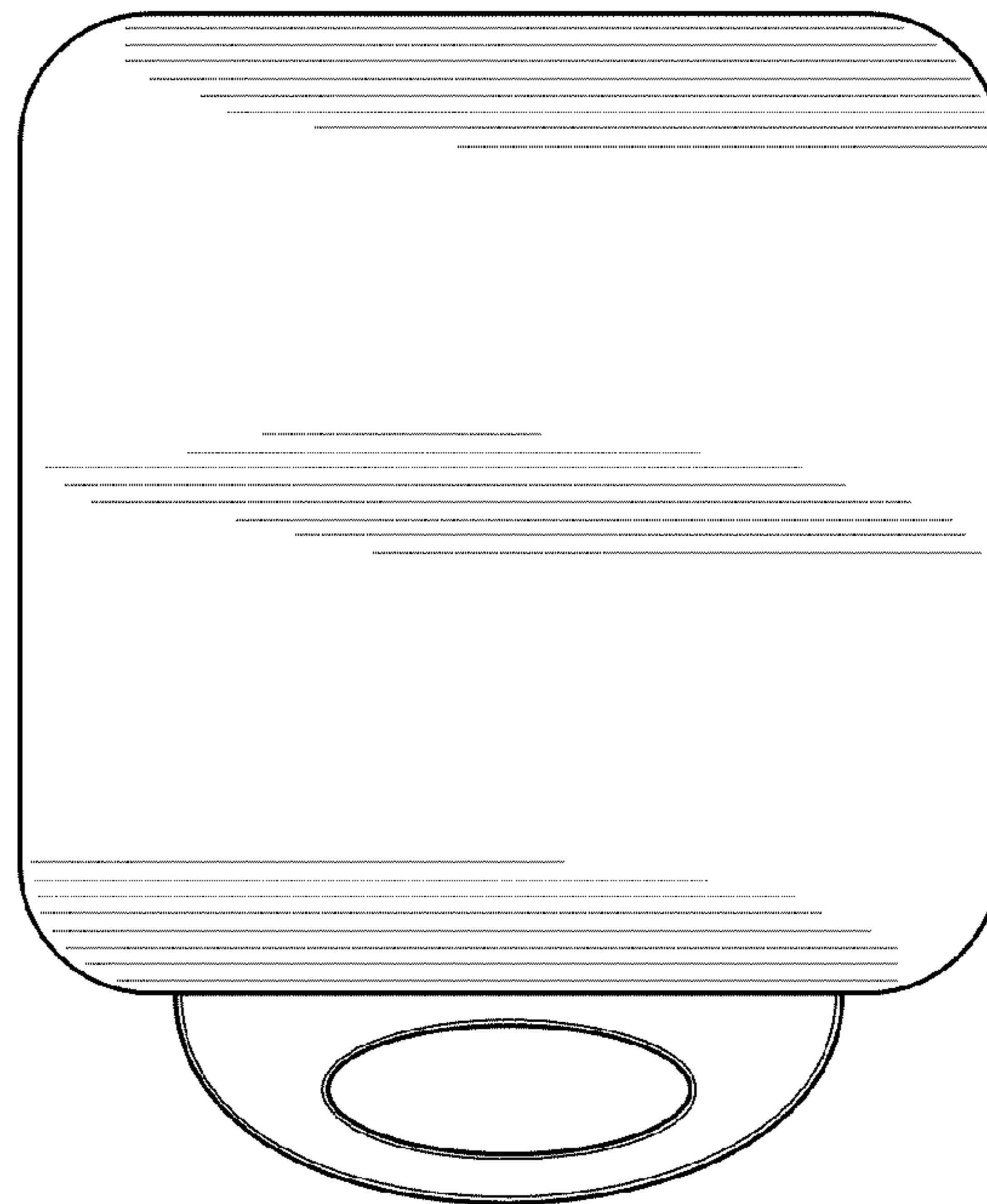


FIG. 6