



US00D584914S

(12) **United States Design Patent**
Seehoff

(10) **Patent No.:** **US D584,914 S**
(45) **Date of Patent:** **** Jan. 20, 2009**

(54) **BACON COOKER**

Primary Examiner—Catherine R Oliver

(76) Inventor: **Gary S. Seehoff**, 3701 Dellvale Pl.,
Encino, CA (US) 91436

(57) **CLAIM**

The ornamental design(s) for the bacon cooker, as shown.

(**) Term: **14 Years**

(21) Appl. No.: **29/298,453**

(22) Filed: **Dec. 5, 2007**

DESCRIPTION

(51) **LOC (9) Cl.** **07-02**

FIG. 1 is a top plan view of a bacon cooker showing my new design;

(52) **U.S. Cl.** **D7/354; D7/323**

FIG. 2 is a left side view thereof;

(58) **Field of Classification Search** D7/323,

FIG. 3 is a front view thereof;

D7/354, 355–360, 409, 505; 220/912; 99/324,

FIG. 4 is a right side view thereof;

99/325, 339, 419, 422, 425–426, 444–446

FIG. 5 is a rear view thereof;

See application file for complete search history.

FIG. 6 is a bottom view thereof;

(56) **References Cited**

FIG. 7 is a cross sectional view shown along line 7—7 of FIG. 1; and,

U.S. PATENT DOCUMENTS

FIG. 8 is a perspective view thereof.

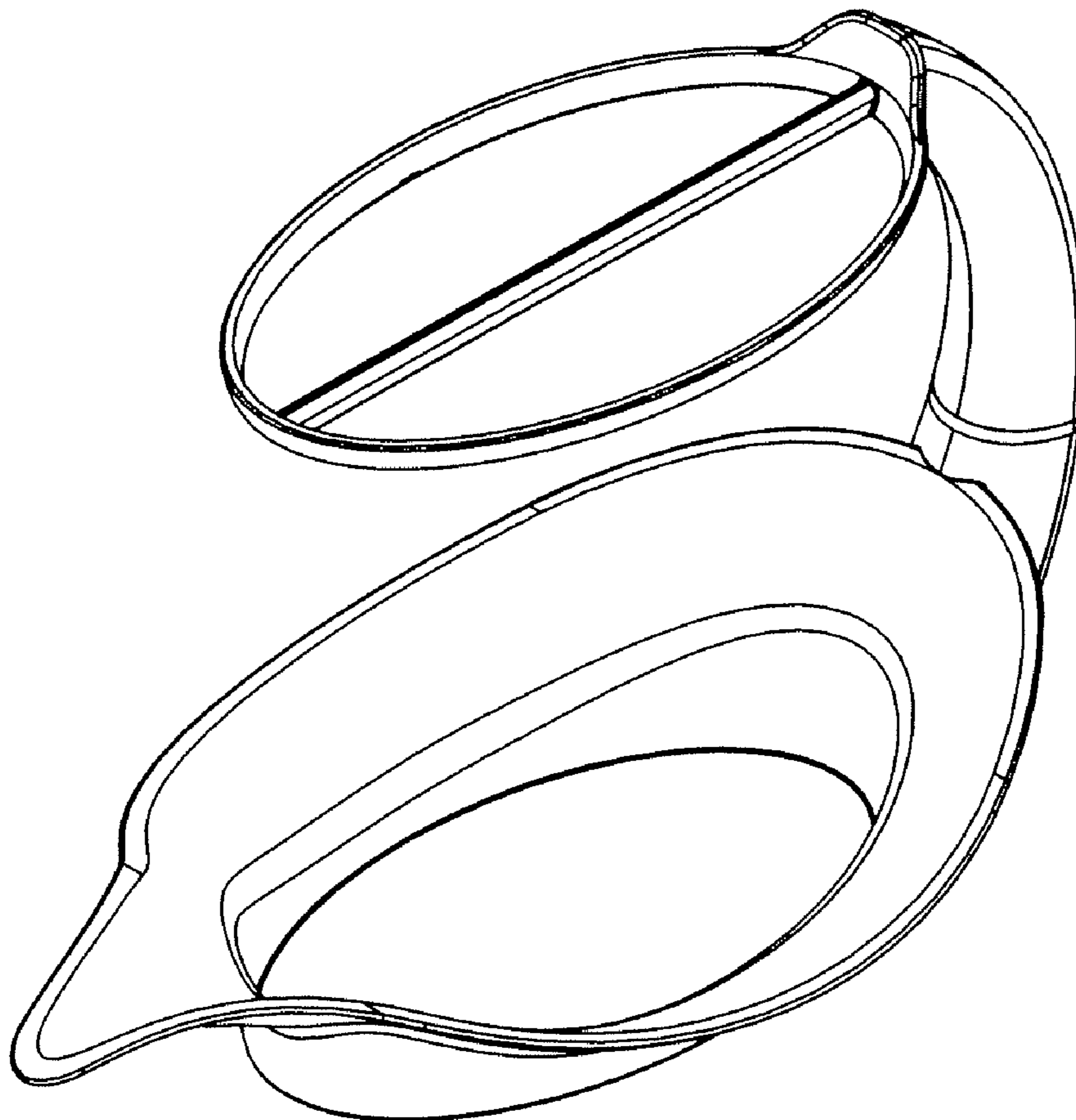
D151,239 S * 10/1948 Mingelberg D7/355

D318,206 S * 7/1991 Watznauer D7/323

D387,242 S * 12/1997 Loftsgard D7/354

* cited by examiner

1 Claim, 8 Drawing Sheets



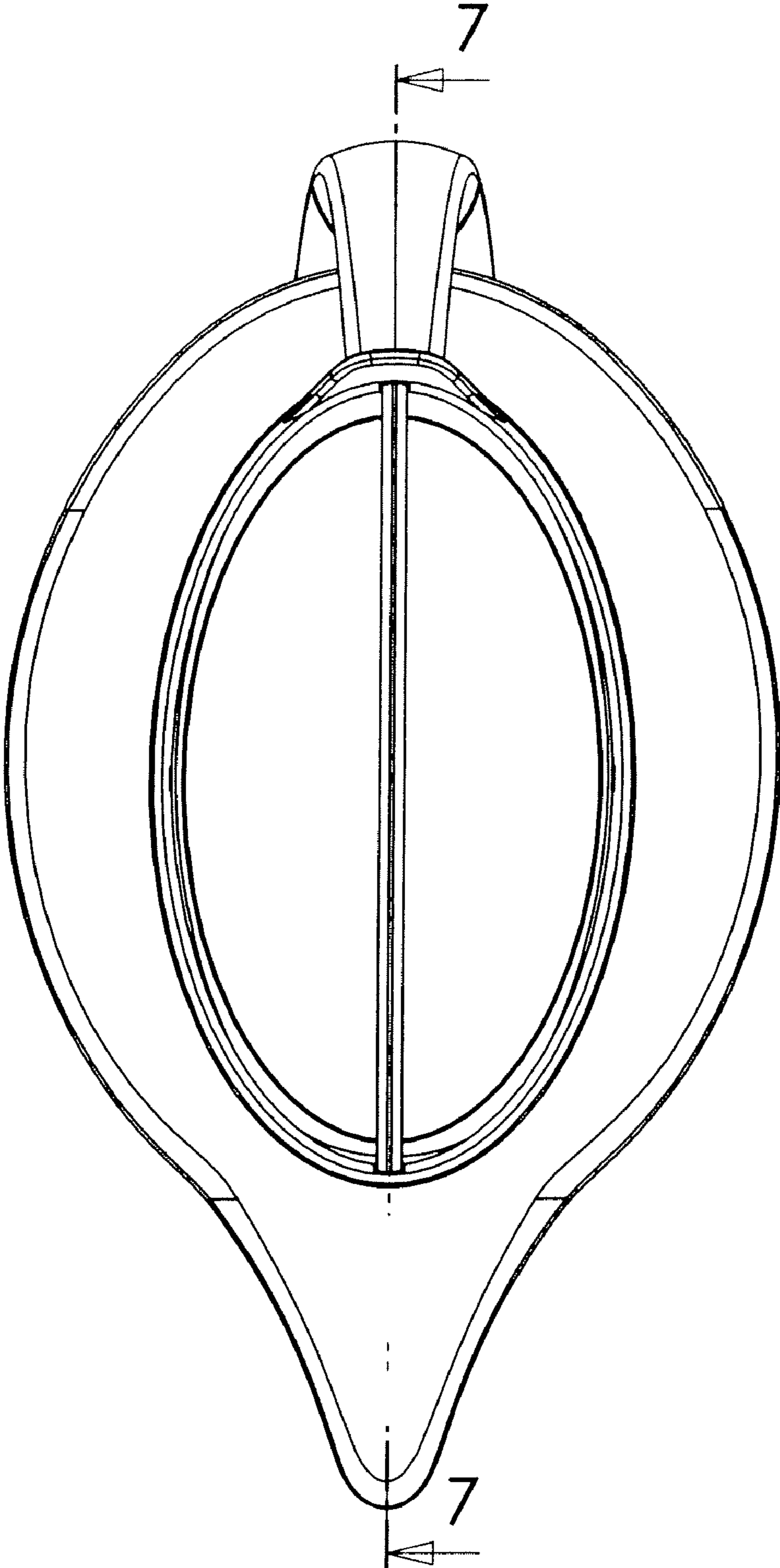


Fig 1

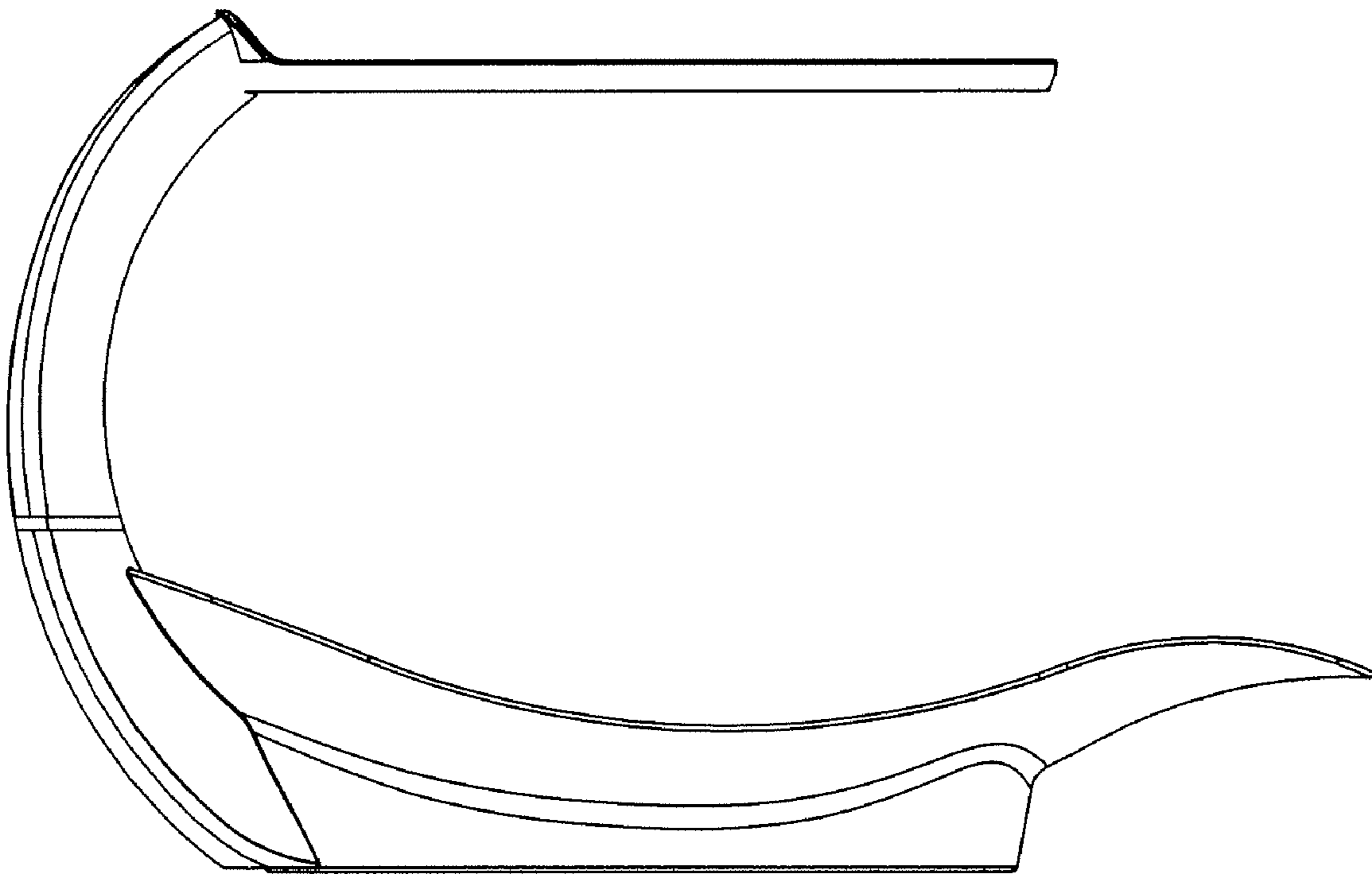


Fig. 2

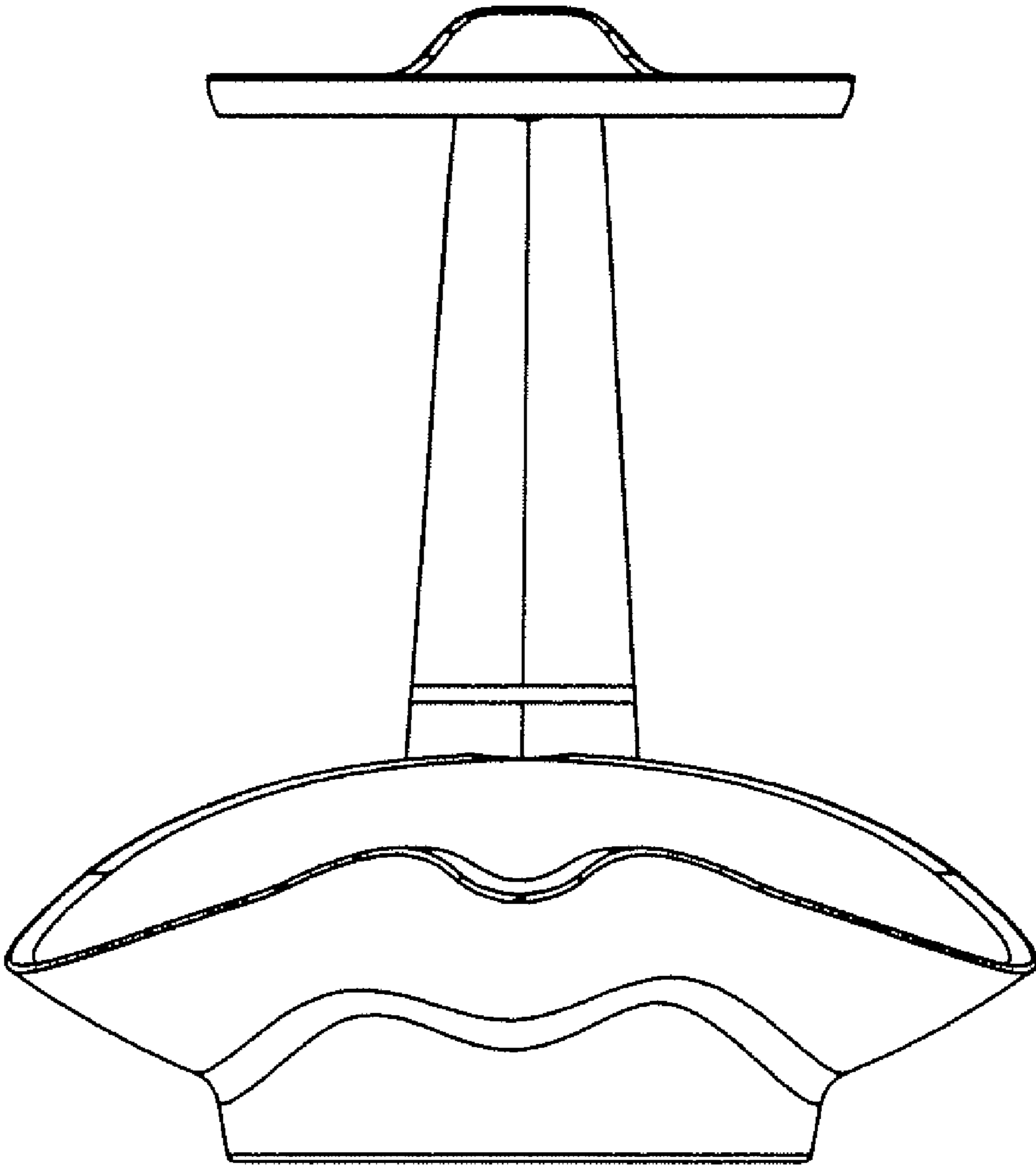


Fig 3

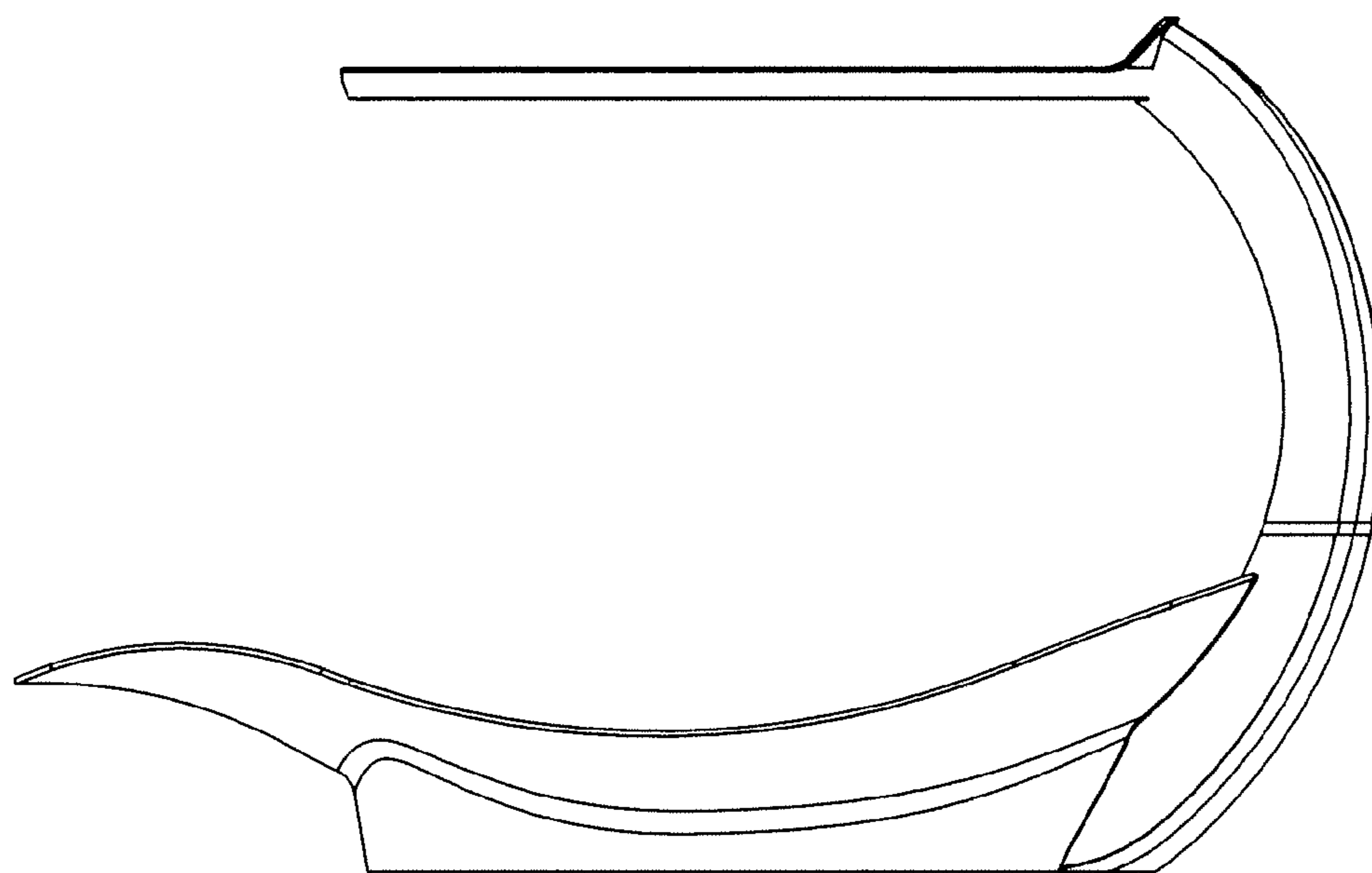


Fig. 4

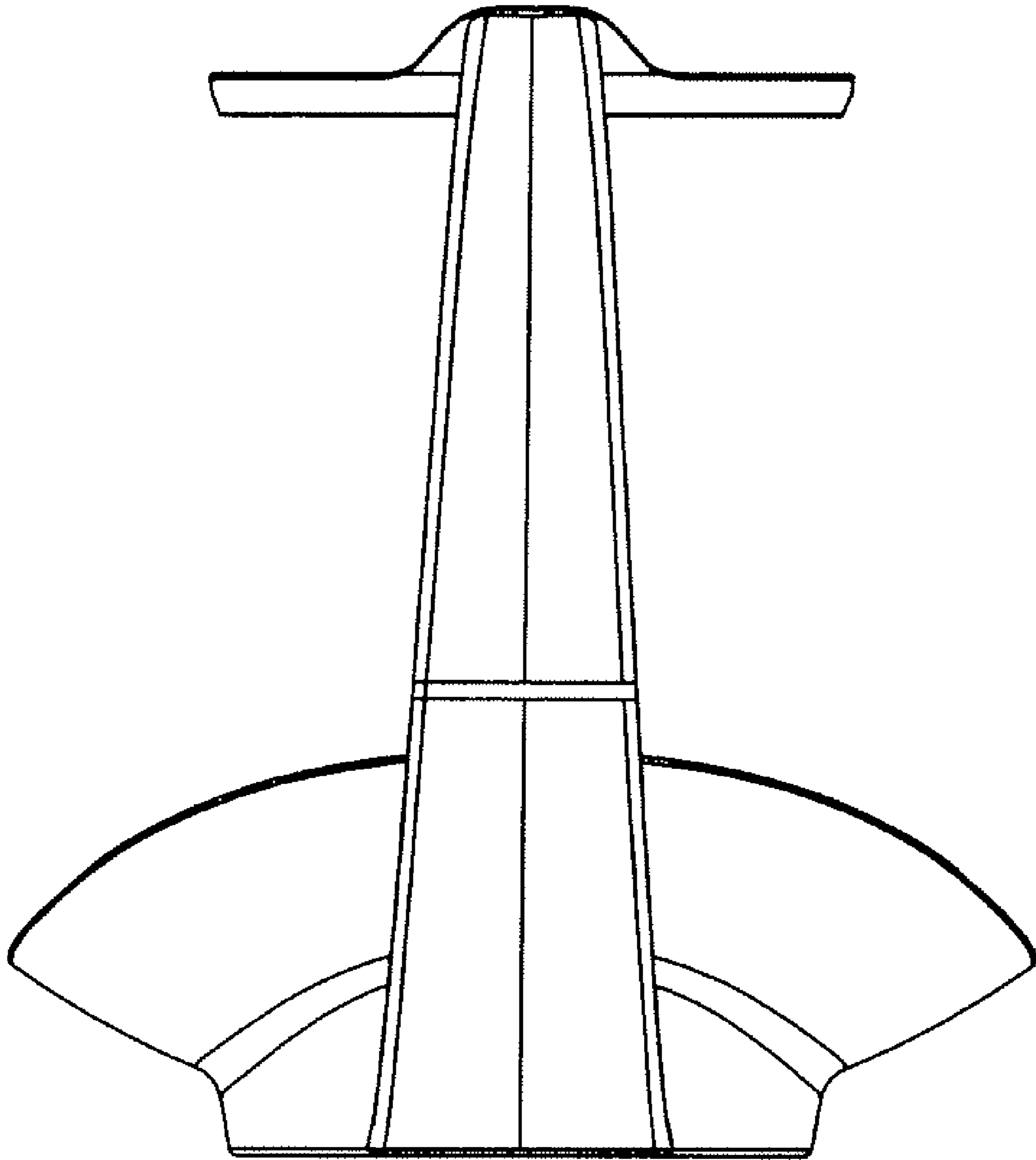


Fig. 5

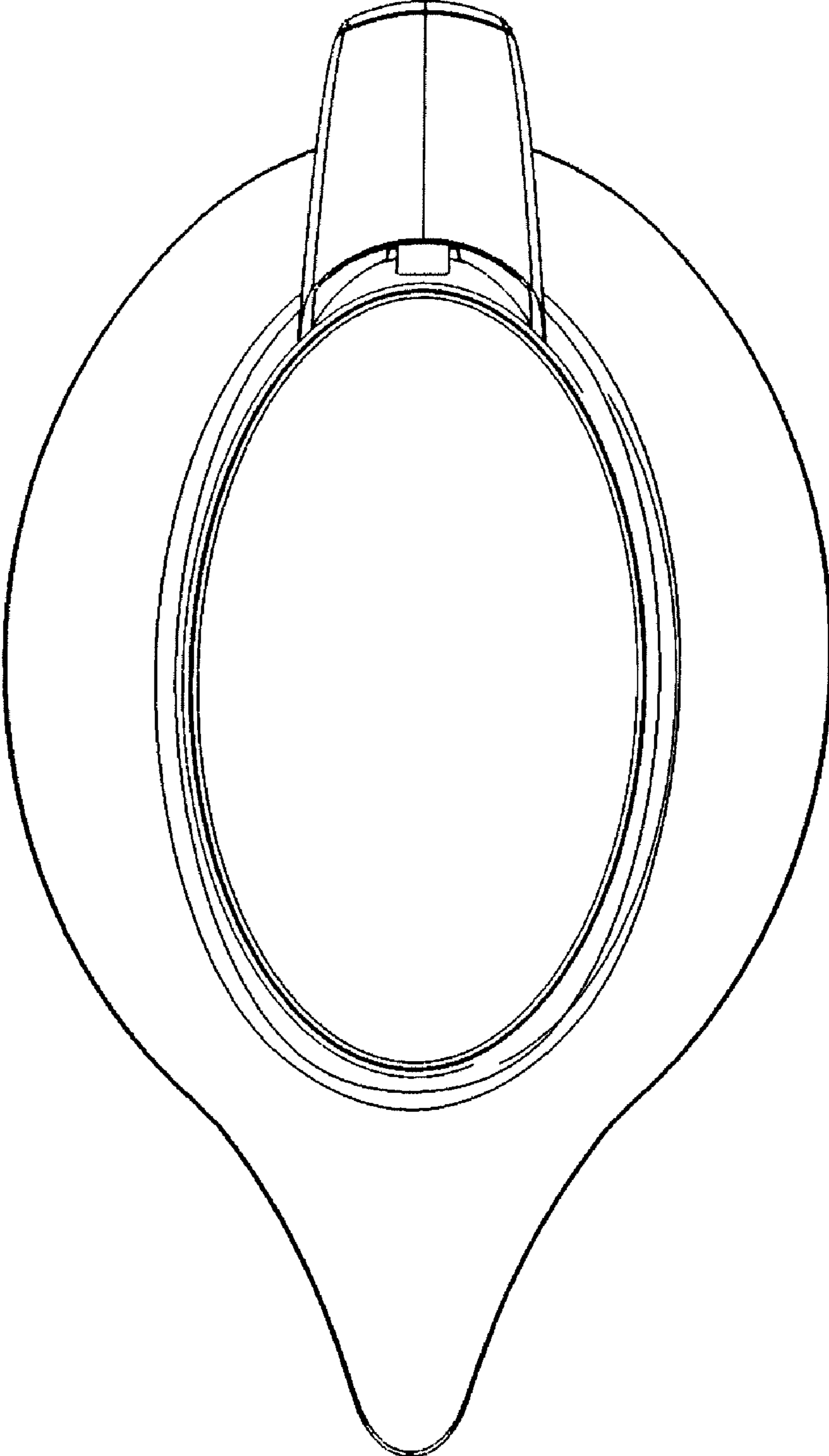


Fig. 6

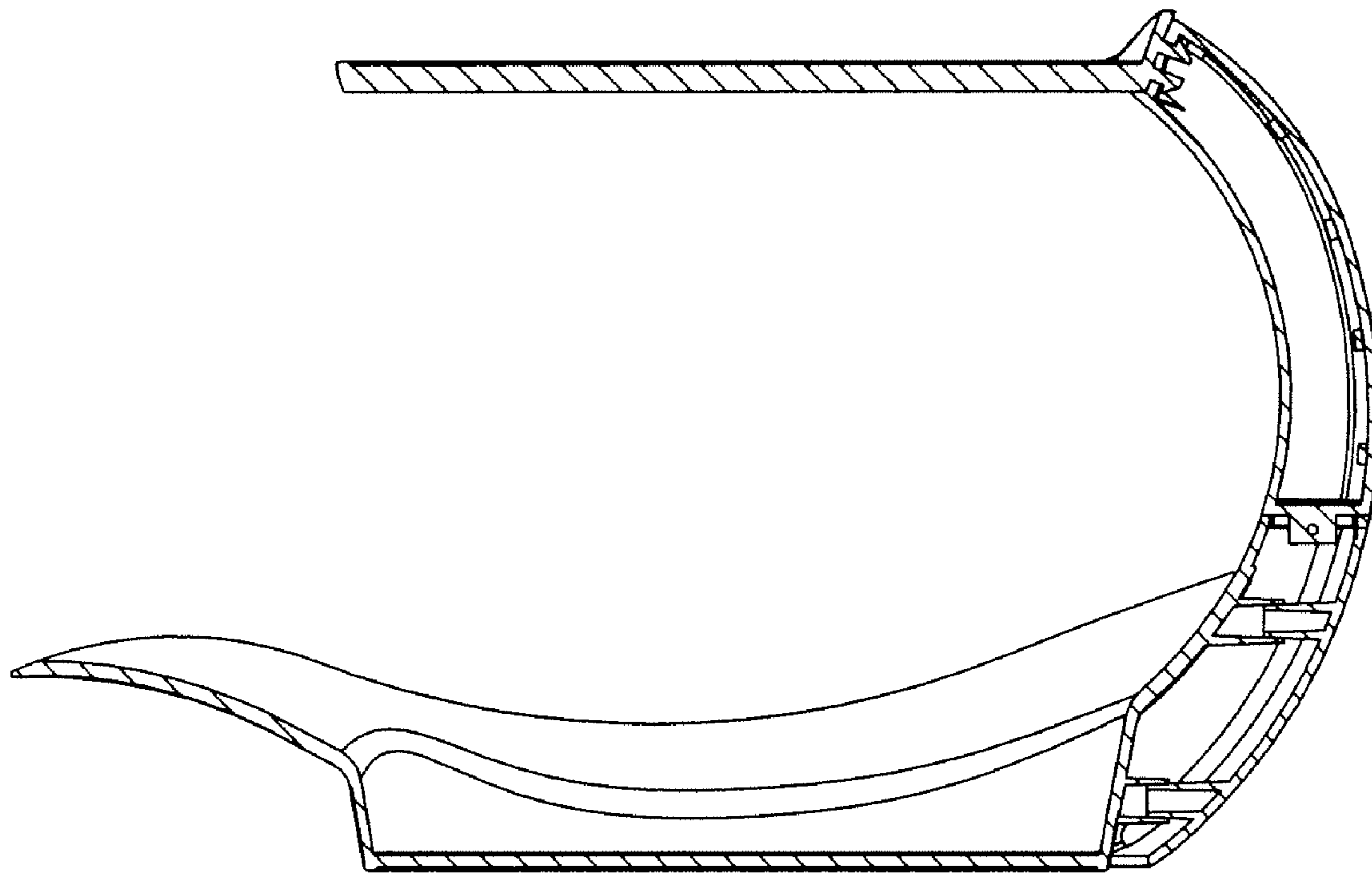


Fig 7

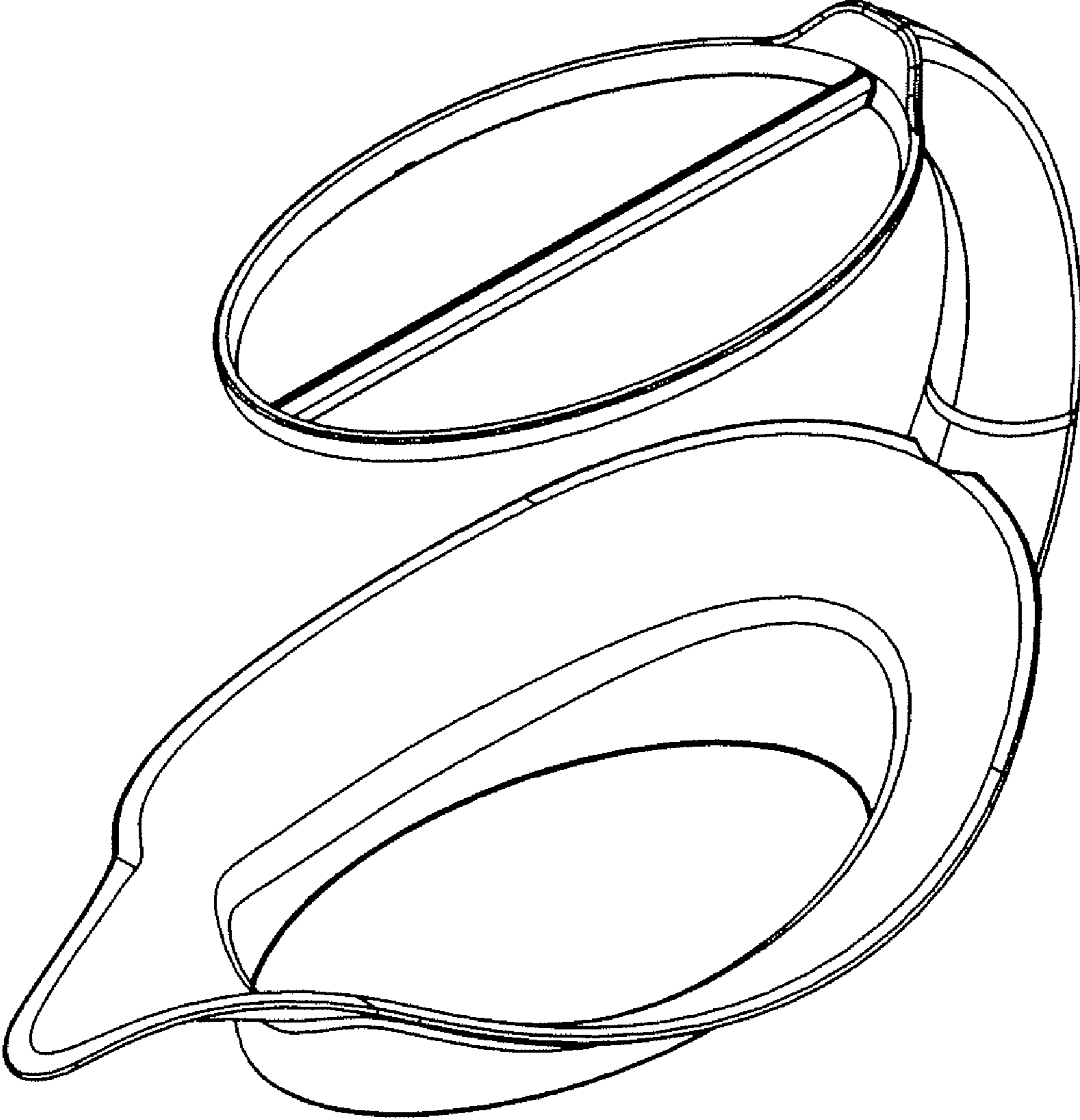


Fig. 8