



US00D584913S

(12) **United States Design Patent**
Green et al.

(10) **Patent No.:** **US D584,913 S**
(45) **Date of Patent:** **** Jan. 20, 2009**

(54) **WATER PITCHER**

(75) Inventors: **Brett Z. Green**, Dublin, CA (US);
Russell E. Bell, Pleasanton, CA (US);
Piercy Yau, Hong Kong (HK); **Greg**
Spooner, Hong Kong (HK); **Anton Lee**
See, Queensland (AU); **Caroline**
Francis, Tung Chung (HK); **Adam**
Doyle, Queensland (AU)

D389,004 S 1/1998 Hampshire et al.
D389,006 S 1/1998 Demore et al.
D398,184 S 9/1998 Silverberg et al.
D400,392 S 11/1998 Robertson et al.
D406,003 S 2/1999 Tanner et al.
5,900,138 A 5/1999 Moretto
D415,922 S 11/1999 Kawasaki et al.
D416,163 S * 11/1999 Doritty et al. D7/319

(Continued)

(73) Assignee: **The Clorox Company**, Oakland, CA
(US)

FOREIGN PATENT DOCUMENTS

(**) Term: **14 Years**

DE 40403886.7 9/2004
DE 40406643.7 2/2005
EP 1806322 7/2007

(21) Appl. No.: **29/298,090**

Primary Examiner—Marianne Pandozzi

(22) Filed: **Nov. 28, 2007**

(74) *Attorney, Agent, or Firm*—Thomas C. Peix

(51) **LOC (9) Cl.** **07-01**

(57) **CLAIM**

(52) **U.S. Cl.** **D7/319; D7/317**

The ornamental design for a water pitcher, as shown and described.

(58) **Field of Classification Search** D7/300,
D7/316–319, 600, 598; D23/209; 210/85,
210/232

See application file for complete search history.

DESCRIPTION

(56) **References Cited**

FIG. 1 is a left rear perspective view of a water pitcher of the present invention;

U.S. PATENT DOCUMENTS

FIG. 2 is a right side view thereof;

D323,874 S 2/1992 Hirman et al.
D331,446 S 12/1992 Gidman
5,190,643 A 3/1993 Duncan et al.
D336,760 S 6/1993 Raunkjaer
D345,669 S 4/1994 Piret
D356,004 S 3/1995 VanValkenburg et al.
5,637,214 A 6/1997 Kahana
D383,351 S 9/1997 DeMore
5,665,224 A 9/1997 Levene et al.
D386,041 S 11/1997 Tanner et al.
D388,654 S 1/1998 Bouhuys
D388,655 S 1/1998 Flom et al.

FIG. 3 is a left side view thereof;

FIG. 4 is a front view thereof;

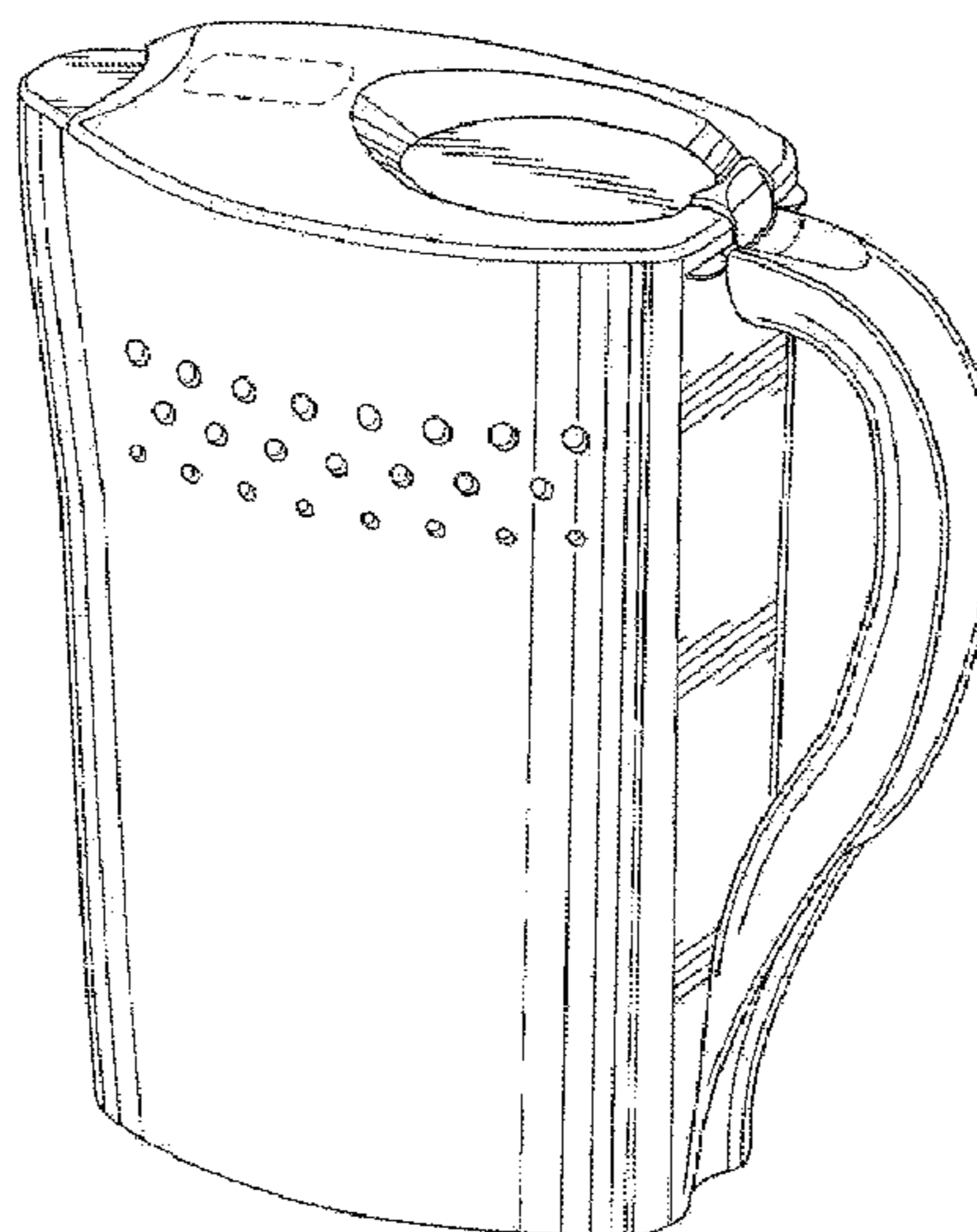
FIG. 5 is a rear view thereof;

FIG. 6 is top view thereof; and,

FIG. 7 is a bottom view thereof.

The broken lines in the drawings are included for the purpose of illustration and form no part of the claimed design.

1 Claim, 4 Drawing Sheets



US D584,913 S

Page 2

U.S. PATENT DOCUMENTS

D418,714 S	1/2000	Fox et al.	D459,941 S	7/2002	Miller
D421,361 S	3/2000	Coulson et al.	D463,706 S	10/2002	Lecerf
6,103,114 A	8/2000	Tanner et al.	D465,377 S	11/2002	Murison et al.
D437,175 S	2/2001	Brady	D497,195 S	10/2004	Nishi et al.
D439,790 S	4/2001	Matsushita et al.	D520,597 S	5/2006	Witte
D440,110 S	4/2001	Tanner et al.	D524,087 S	7/2006	Ali
6,224,751 B1	5/2001	Hofmann et al.	D546,113 S *	7/2007	Ruoff D7/319
D444,662 S	7/2001	McGrath et al.	D573,394 S *	7/2008	Tullney et al. D7/317
D444,843 S	7/2001	Hilgers et al.	D576,250 S *	9/2008	Born et al. D23/209
D444,987 S	7/2001	McGrath et al.	2007/0209981 A1	9/2007	Moretto
D445,293 S	7/2001	Lillelund et al.	2007/0209984 A1	9/2007	Mordechai et al.

* cited by examiner

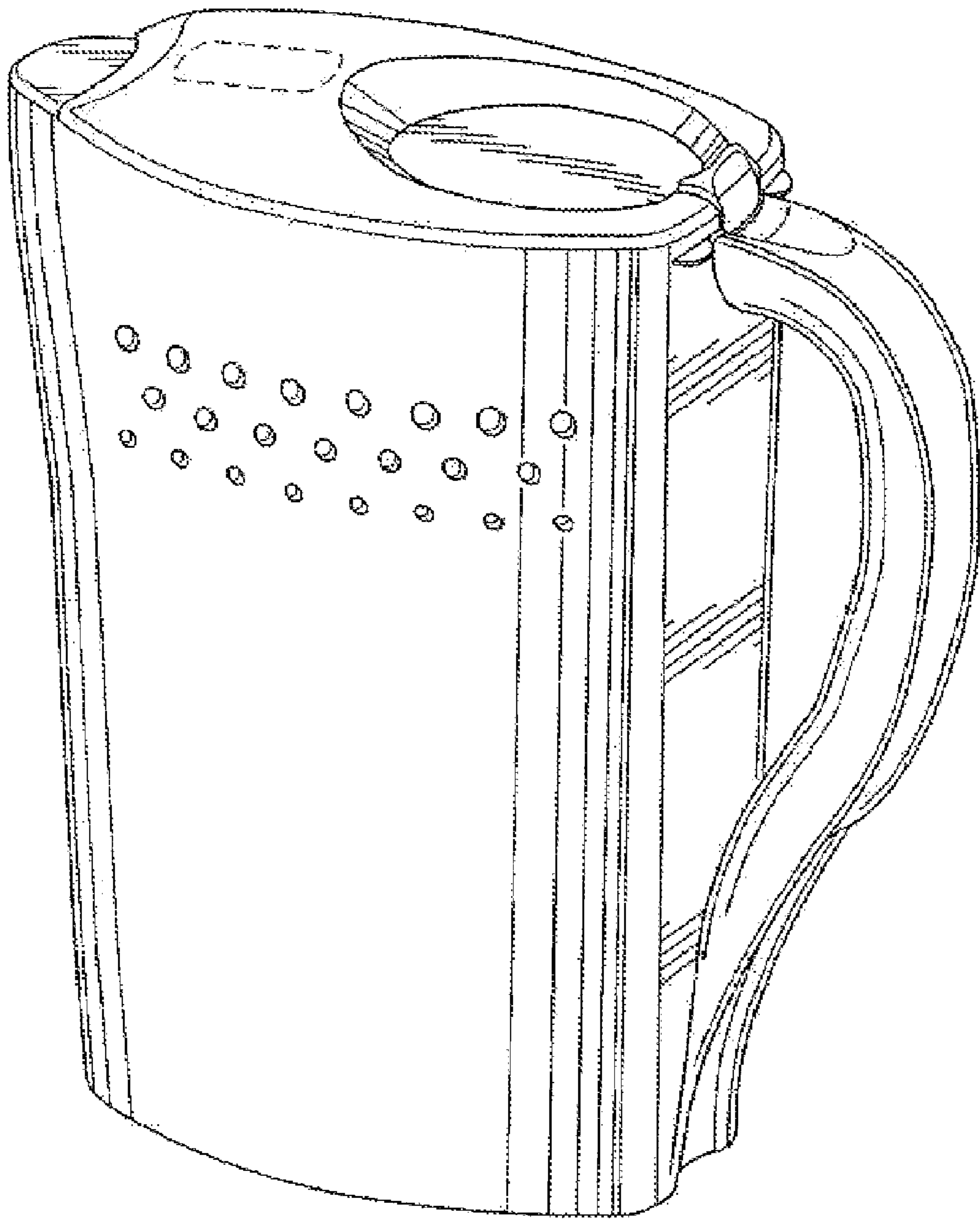


FIG. - 1

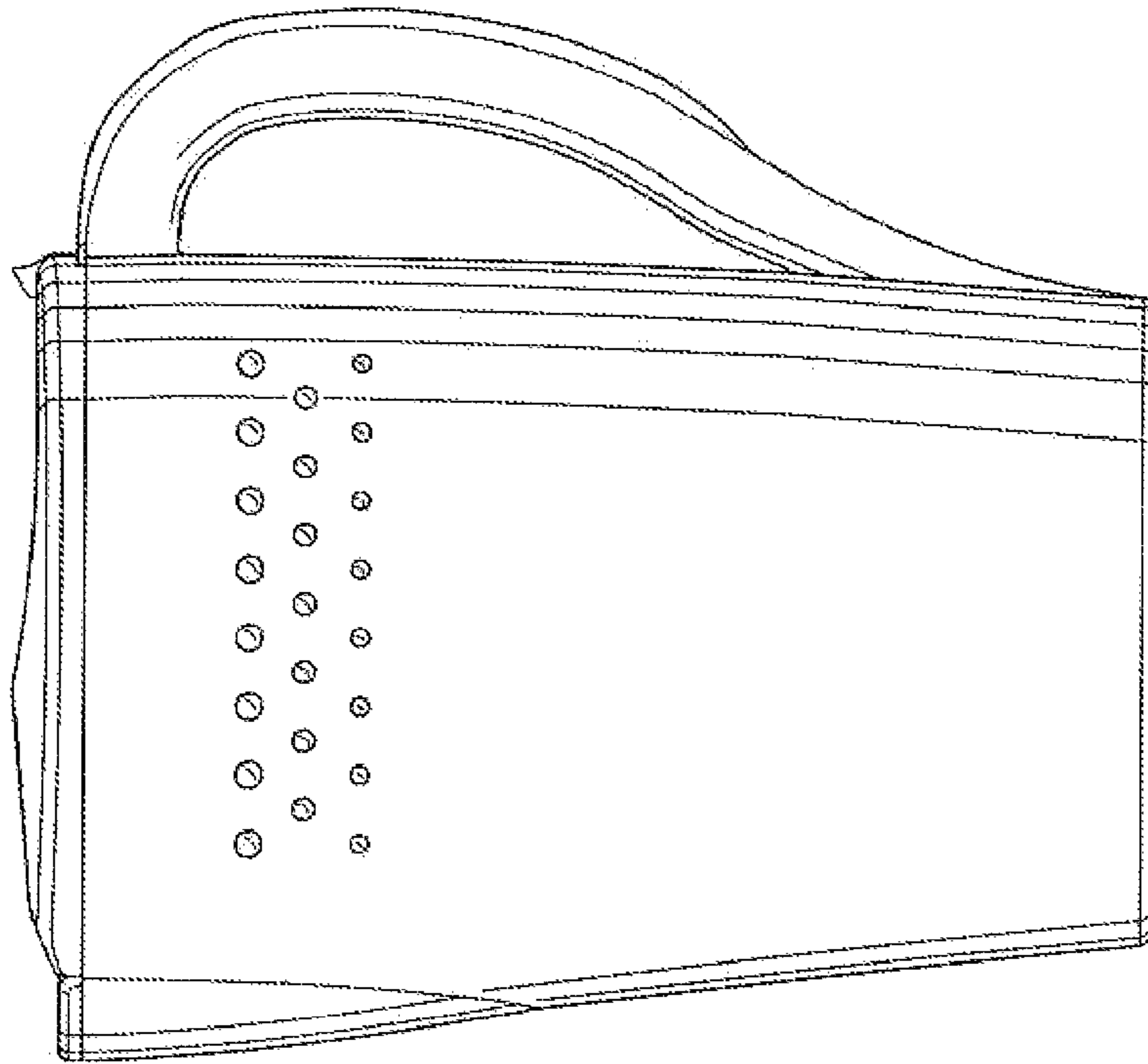


FIG. -3

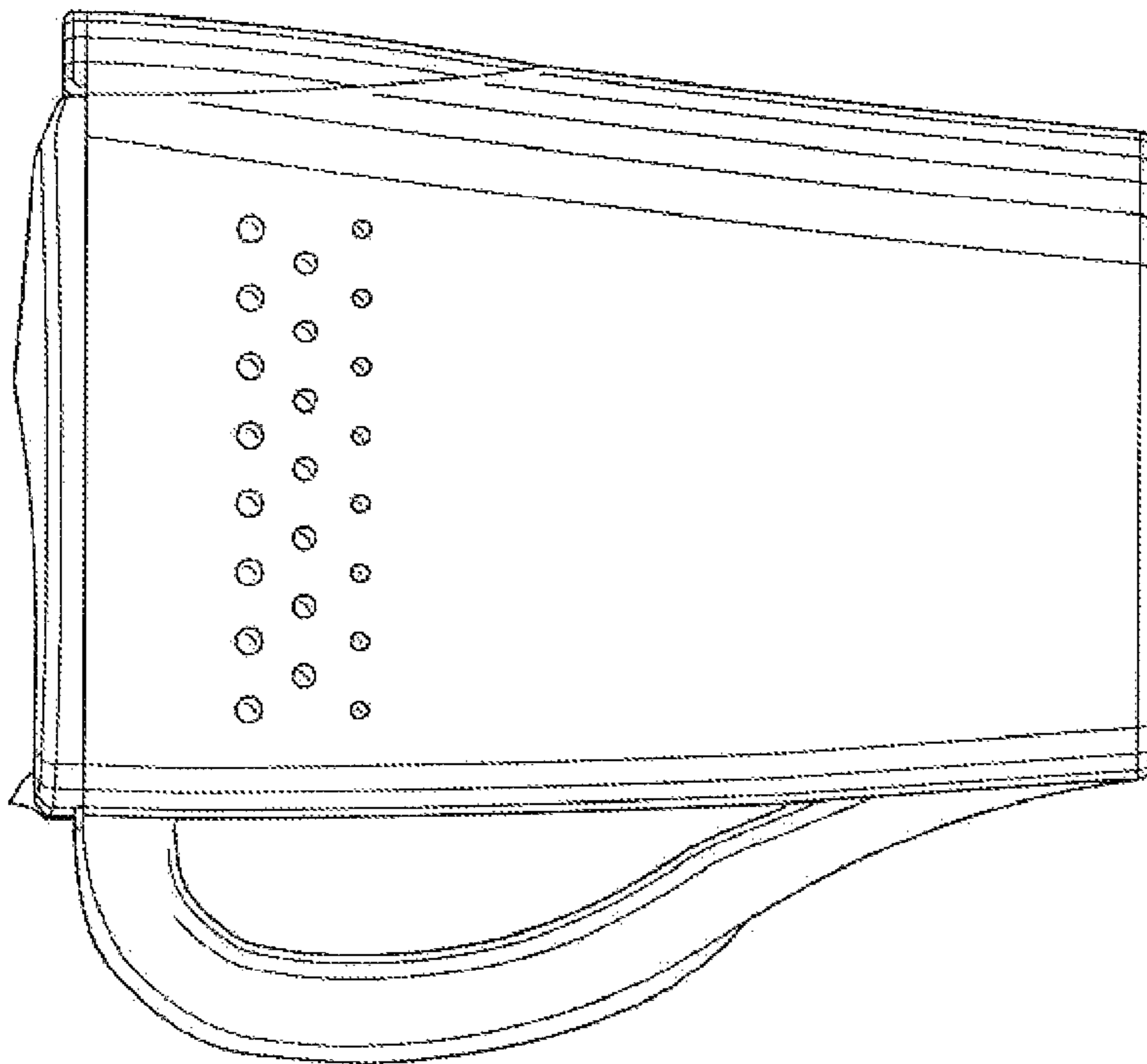


FIG. -2

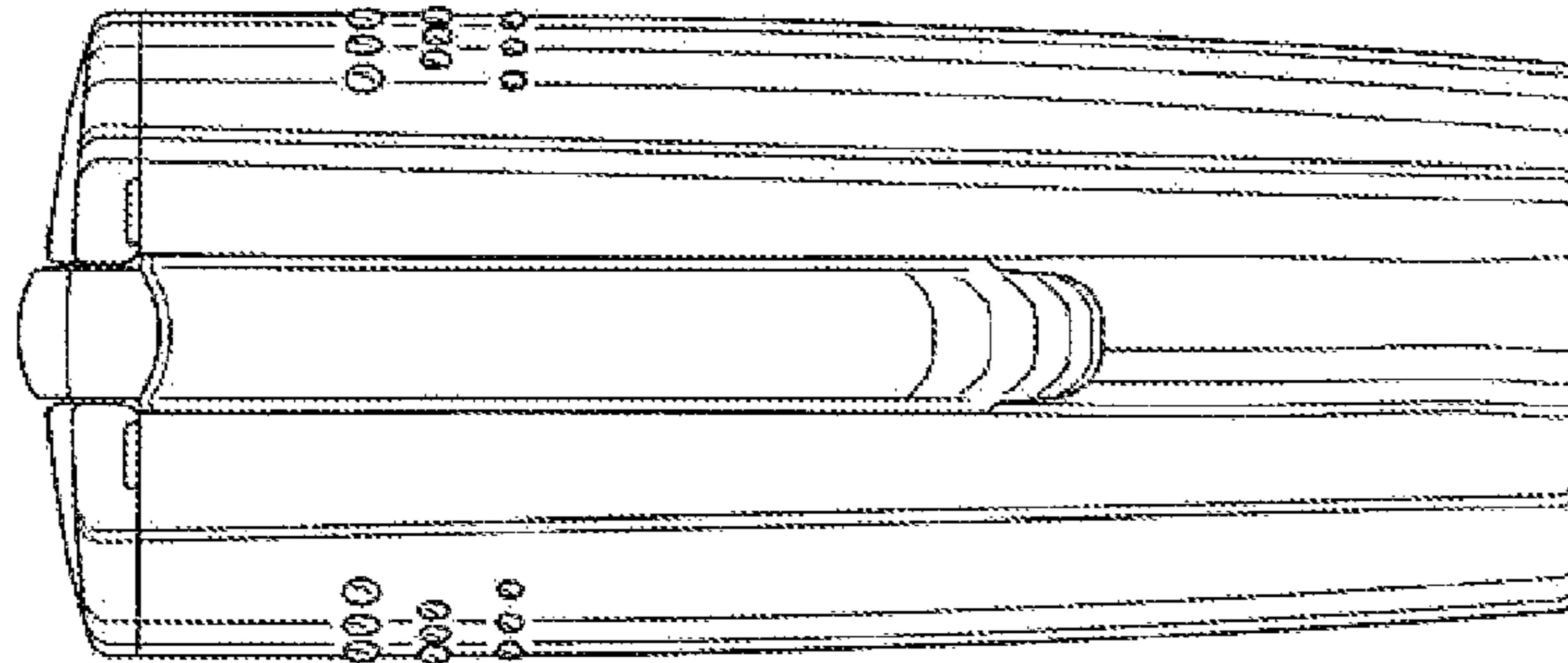


FIG. 4

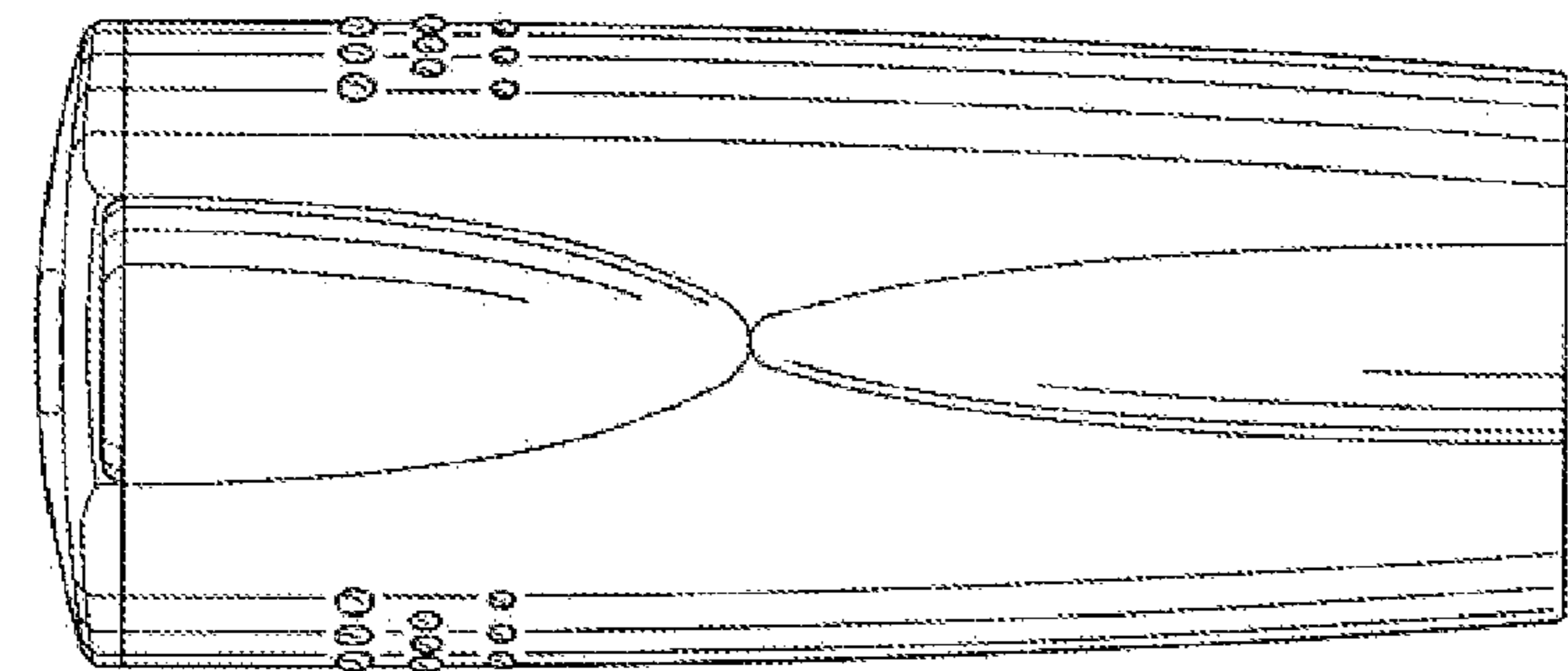


FIG. 5

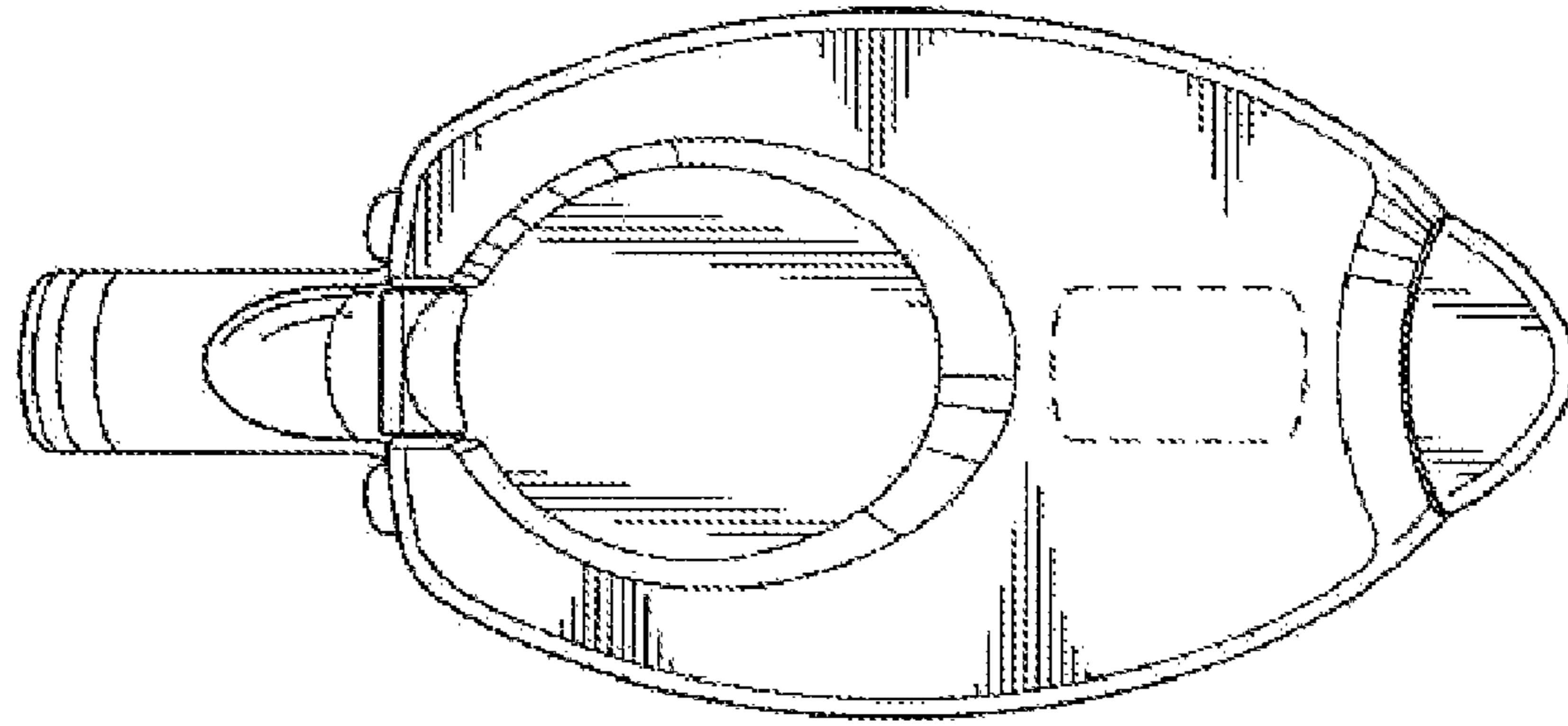


FIG. -6

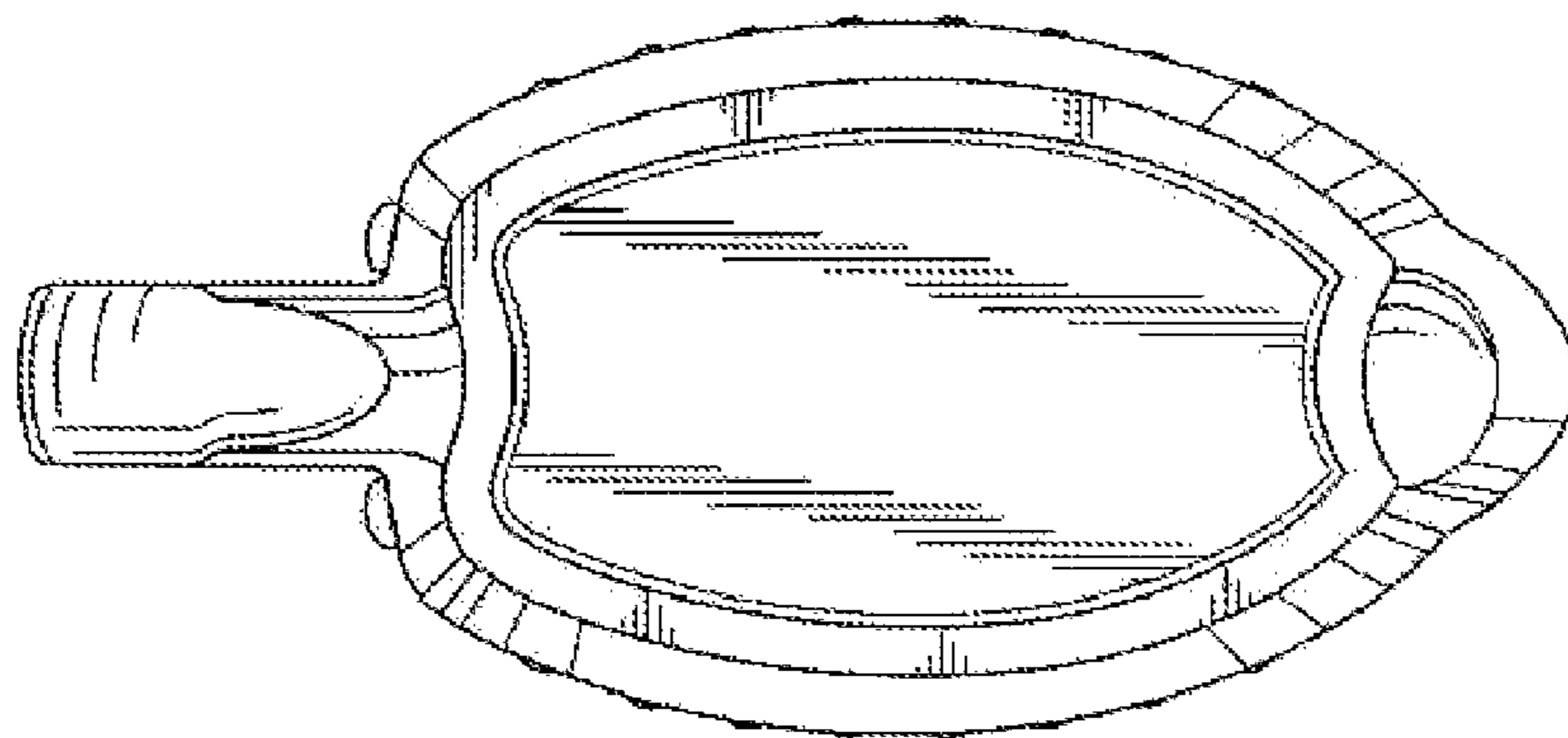


FIG. -7