



US00D584911S

(12) **United States Design Patent**
Hisey et al.

(10) **Patent No.:** **US D584,911 S**
(45) **Date of Patent:** **** Jan. 20, 2009**

(54) **CUSHION**

(75) Inventors: **Christopher B. Hisey**, Plymouth, WI (US); **Mary J. Reid**, Sheboygan, WI (US); **Ramesh Annapindi**, Sheboygan, WI (US)

(73) Assignee: **Kohler Co.**, Kohler, WI (US)

(**) Term: **14 Years**

(21) Appl. No.: **29/306,550**

(22) Filed: **Apr. 10, 2008**

(51) **LOC (9) Cl.** **06-09**

(52) **U.S. Cl.** **D6/601**; D21/803

(58) **Field of Classification Search** D6/595-598, D6/601-604, 606-608; 5/630, 636-638, 5/652, 652.1, 654, 655, 417-420; D21/803
See application file for complete search history.

(56) **References Cited**

U.S. PATENT DOCUMENTS

4,197,342	A *	4/1980	Bethe	428/159
D310,313	S *	9/1990	Afeyan	D6/604
5,044,030	A *	9/1991	Balaton	5/710
D341,981	S *	12/1993	Harris	D6/601
5,656,195	A *	8/1997	Mielke et al.	252/62
6,058,536	A *	5/2000	Henry	5/691
D443,686	S	6/2001	Gonzalez		
6,336,231	B1	1/2002	Smith		
D509,980	S *	9/2005	Martin et al.	D6/596
D560,947	S *	2/2008	Kreucher	D6/601
2007/0110495	A1	5/2007	Willat		

OTHER PUBLICATIONS

Xiamen KingQueen Industrial Co., Ltd. "Air Pillow". Model No. AP00010. Alibaba.com online catalog. Copyright 1999-2008 Alibaba.com.

Tube—Time Bumpers. "Inflatable Bathtub Liner". Amazon.com online catalog. Copyright 1996-2008 Amazon.com, Inc. or its affiliates.

* cited by examiner

Primary Examiner—Janice E Seeger

(74) *Attorney, Agent, or Firm*—Quarles & Brady LLP

(57) **CLAIM**

The ornamental design for a cushion, as shown and described.

DESCRIPTION

In a preferred embodiment, the nature of this product is a cushion, such as a pillow, in flat or rolled configuration, for supporting human body parts.

FIG. 1 is a right, top, front perspective view of a cushion embodying our new design;

FIG. 2 is a top plan view thereof, the bottom plan view thereof being a mirror image of the top shown;

FIG. 3 is a right side elevational view thereof, the left side elevational view thereof being a mirror image of the right side shown;

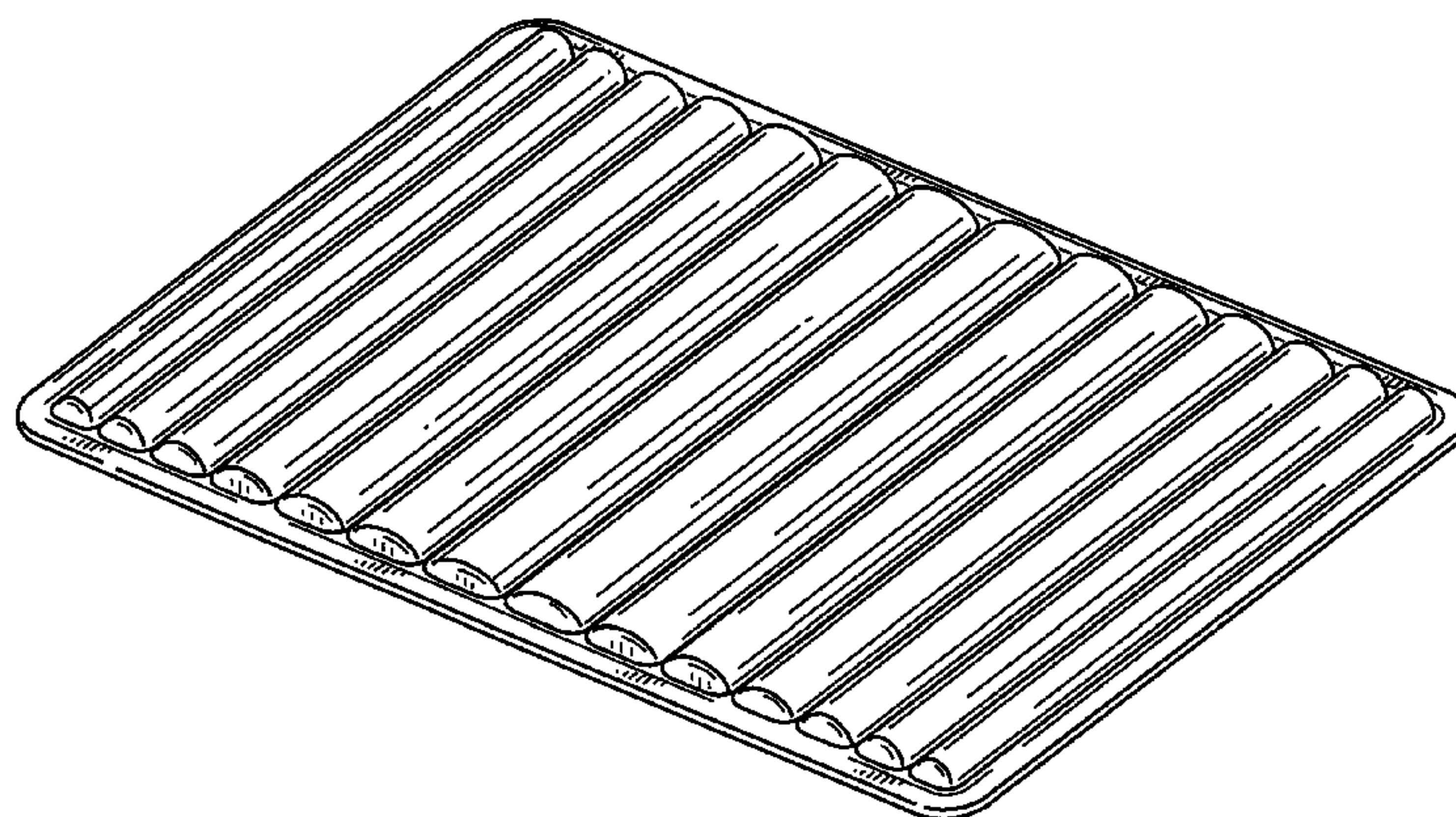
FIG. 4 is a front elevational view thereof, the rear elevational view thereof being a mirror image of the front shown;

FIG. 5 is a left, top, front perspective view of the cushion of FIG. 1 shown in a rolled configuration; and,

FIG. 6 is a left side elevational view thereof, the right side elevational view thereof being a mirror image of the left side shown; and,

FIG. 7 is a top view thereof.

1 Claim, 5 Drawing Sheets



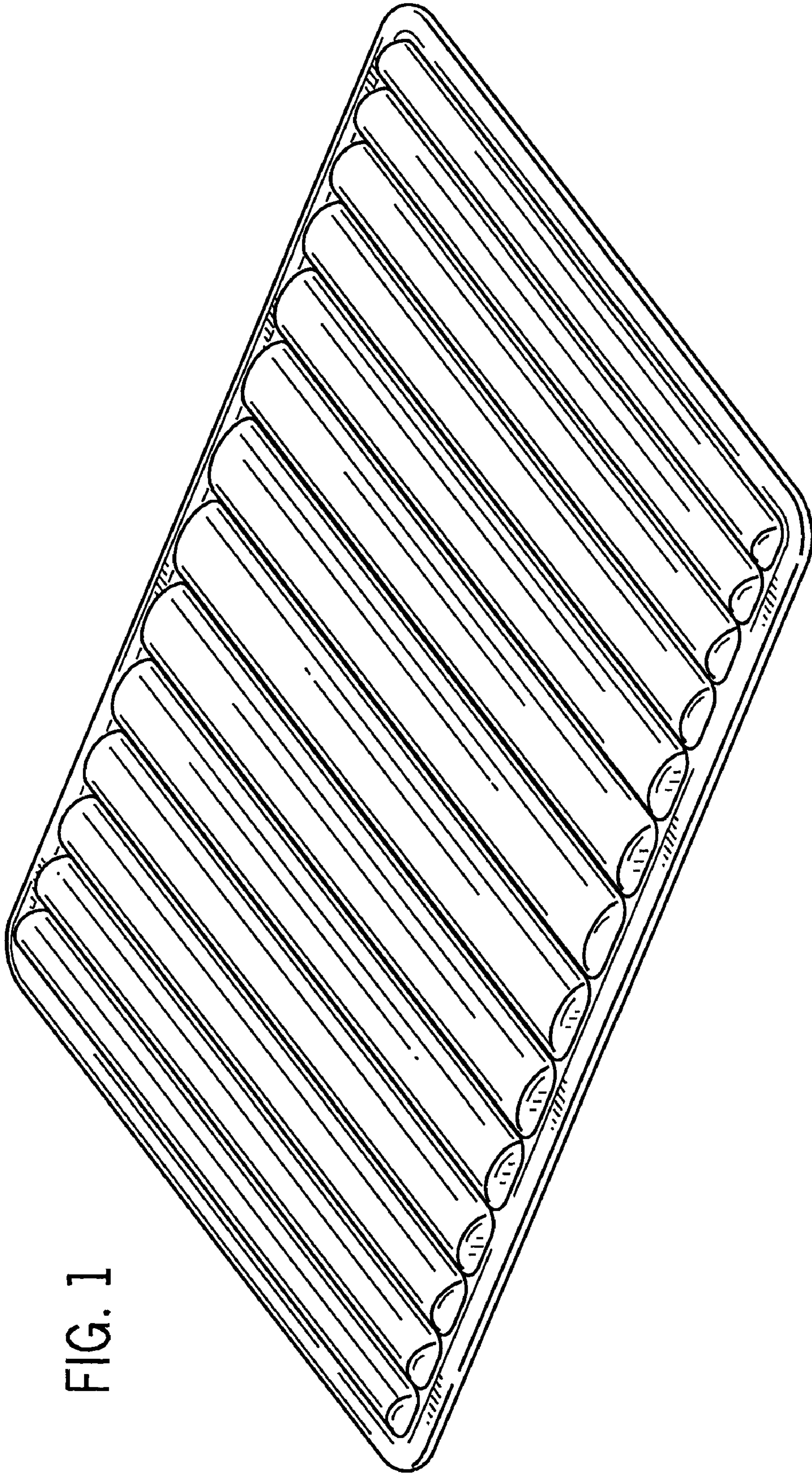


FIG. 1

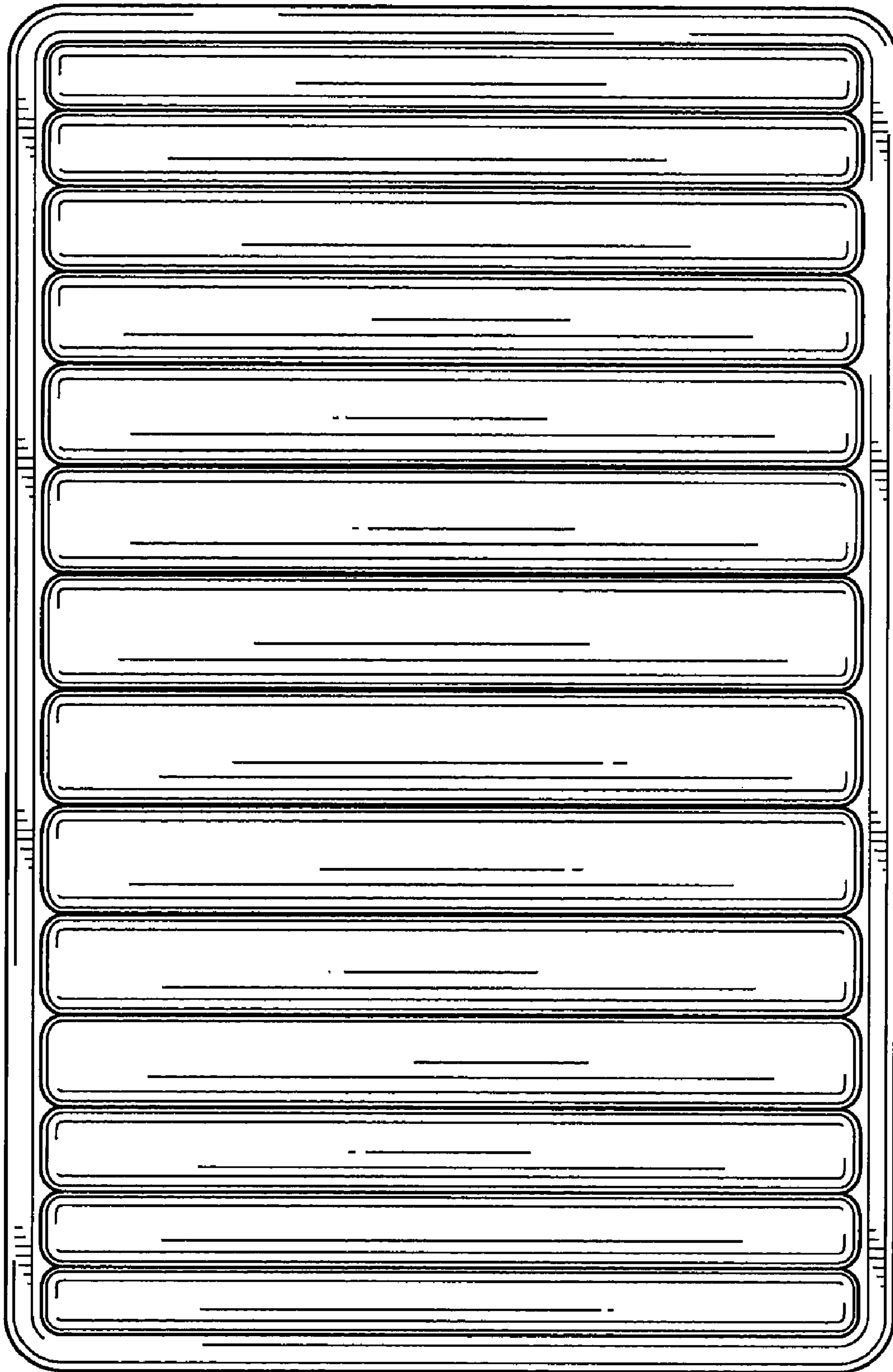


FIG. 2

FIG. 3



FIG. 4

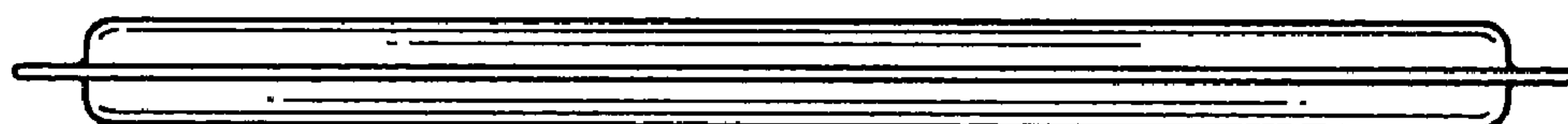


FIG. 5

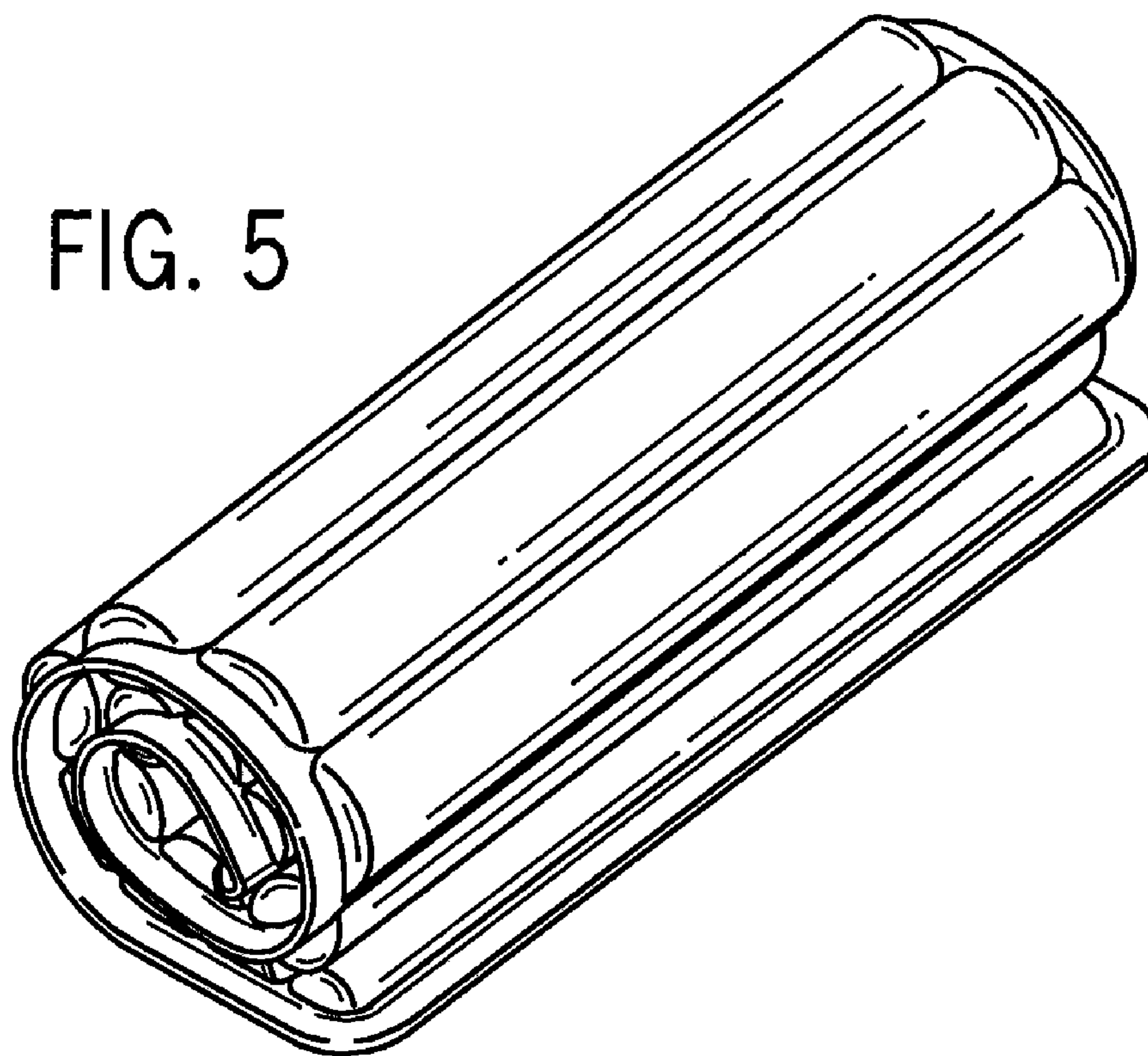


FIG. 6

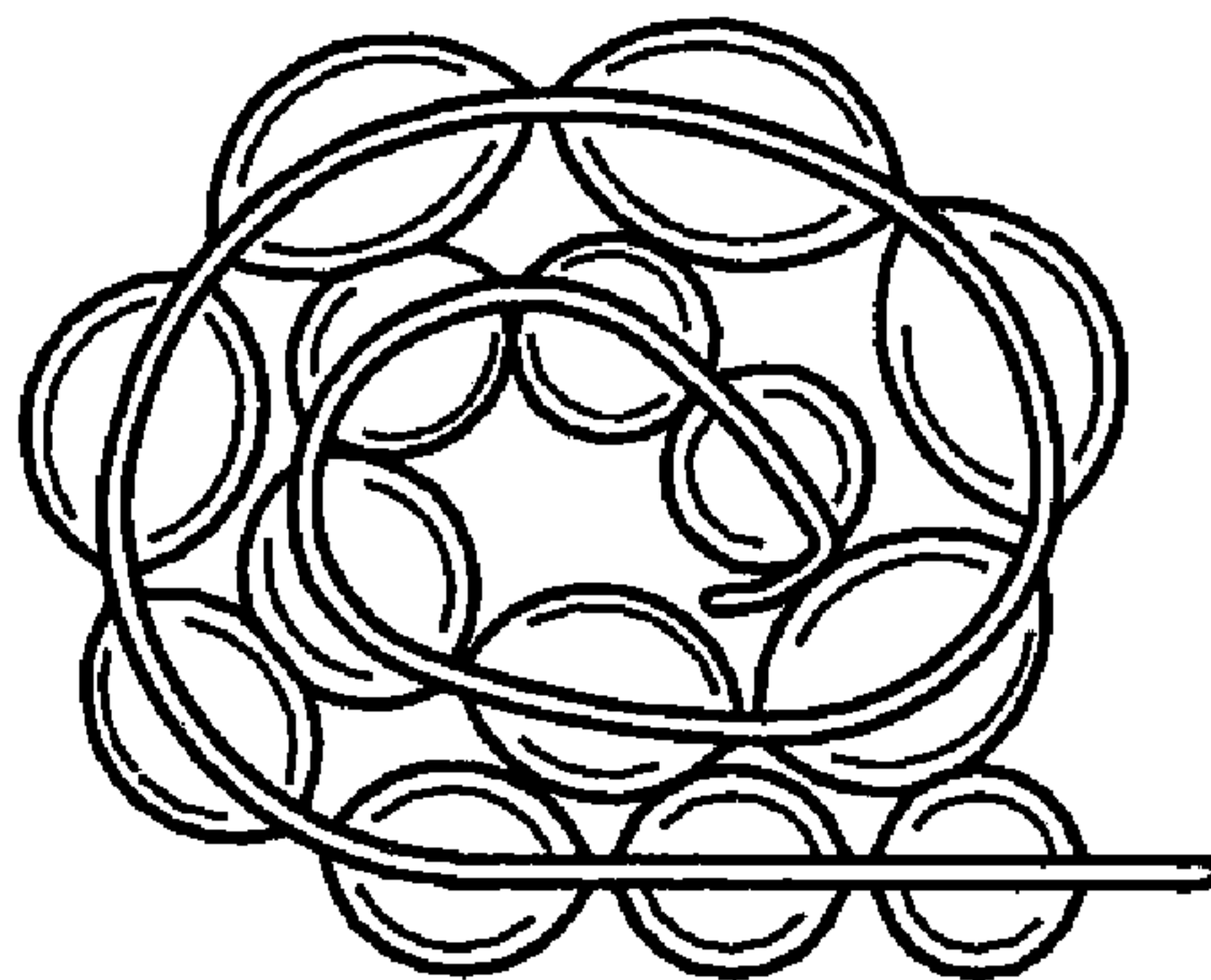


FIG. 7

