



US00D584908S

(12) **United States Design Patent**  
**Diffrient**

(10) **Patent No.:** **US D584,908 S**  
(45) **Date of Patent:** **\*\* Jan. 20, 2009**

- (54) **TWIN ARM HEADREST**
- (75) Inventor: **Niels Diffrient**, Ridgefield, CT (US)
- (73) Assignee: **Humanscale Corporation**, New York, NY (US)
- (\*\*) Term: **14 Years**
- (21) Appl. No.: **29/317,348**
- (22) Filed: **Apr. 28, 2008**

**Related U.S. Application Data**

- (63) Continuation-in-part of application No. 10/693,154, filed on Oct. 23, 2003, which is a continuation of application No. 10/155,331, filed on May 24, 2002, now Pat. No. 6,959,965, which is a continuation of application No. 09/326,176, filed on Jun. 4, 1999, now Pat. No. 6,709,058, which is a continuation-in-part of application No. 29/103,157, filed on Apr. 9, 1999, now Pat. No. Des. 435,746, said application No. 10/693,154 is a continuation-in-part of application No. 29/103,158, filed on Apr. 9, 1999, now abandoned, and a continuation-in-part of application No. 29/103,159, filed on Apr. 9, 1999, now Pat. No. Des. 453,633.

- (51) **LOC (9) Cl.** ..... **06-01**
- (52) **U.S. Cl.** ..... **D6/501**
- (58) **Field of Classification Search** ..... D6/501, D6/334-336, 356, 491, 364-367, 503; 248/118; 297/220, 229, 391, 394, 396, 397, 410, 452.29; 5/630, 653

See application file for complete search history.

(56) **References Cited**

**U.S. PATENT DOCUMENTS**

518,097 A	4/1894	Derby	
662,387 A	11/1900	Baker	
691,854 A	1/1902	Greer et al.	
D201,961 S	8/1965	Lohn	
D202,425 S	9/1965	Stanley	
D207,903 S	6/1967	Belk	
3,371,961 A	3/1968	Colgan	
3,477,761 A	11/1969	Krantz	
D227,829 S *	7/1973	Klose	D6/366
4,003,599 A *	1/1977	Takamatsu	297/220
4,030,781 A	6/1977	Howard	
5,211,696 A	5/1993	Lacy	

5,316,372 A	5/1994	Amner	
5,356,201 A	10/1994	Olson	
5,398,996 A	3/1995	Steiner	
D357,834 S	5/1995	Nordstrom et al.	
D394,756 S *	6/1998	Gryp et al.	D6/356
D398,793 S	9/1998	Maree et al.	
D401,455 S	11/1998	Pate	
D411,377 S *	6/1999	Sacco et al.	D6/356
D436,260 S *	1/2001	Nagamitsu	D6/366
D451,294 S *	12/2001	Simons et al.	D6/366
D480,571 S *	10/2003	Yu	D6/356
6,755,472 B2	6/2004	Stenzel et al.	
D507,122 S *	7/2005	Beermann	D6/356
D507,910 S	8/2005	Bock	
D510,667 S *	10/2005	Yamazaki et al.	D6/356
D534,005 S *	12/2006	Beermann	D6/356
D555,922 S *	11/2007	Esaki et al.	D6/356
D564,807 S *	3/2008	Da Re	D6/501
D576,413 S *	9/2008	Arnaout	D6/356

\* cited by examiner

*Primary Examiner*—Caron Veynar

*Assistant Examiner*—Abraham Bahta

(74) *Attorney, Agent, or Firm*—Jones, Walker, Waechter, Poitevent, Carrere & Denegre, LLP

(57) **CLAIM**

The ornamental design for a twin arm headrest, as shown and described.

**DESCRIPTION**

FIG. 1 is a perspective view of the twin arm headrest showing my new design;

FIG. 2 is a rear view thereof;

FIG. 3 is a top view thereof;

FIG. 4 is a front view thereof;

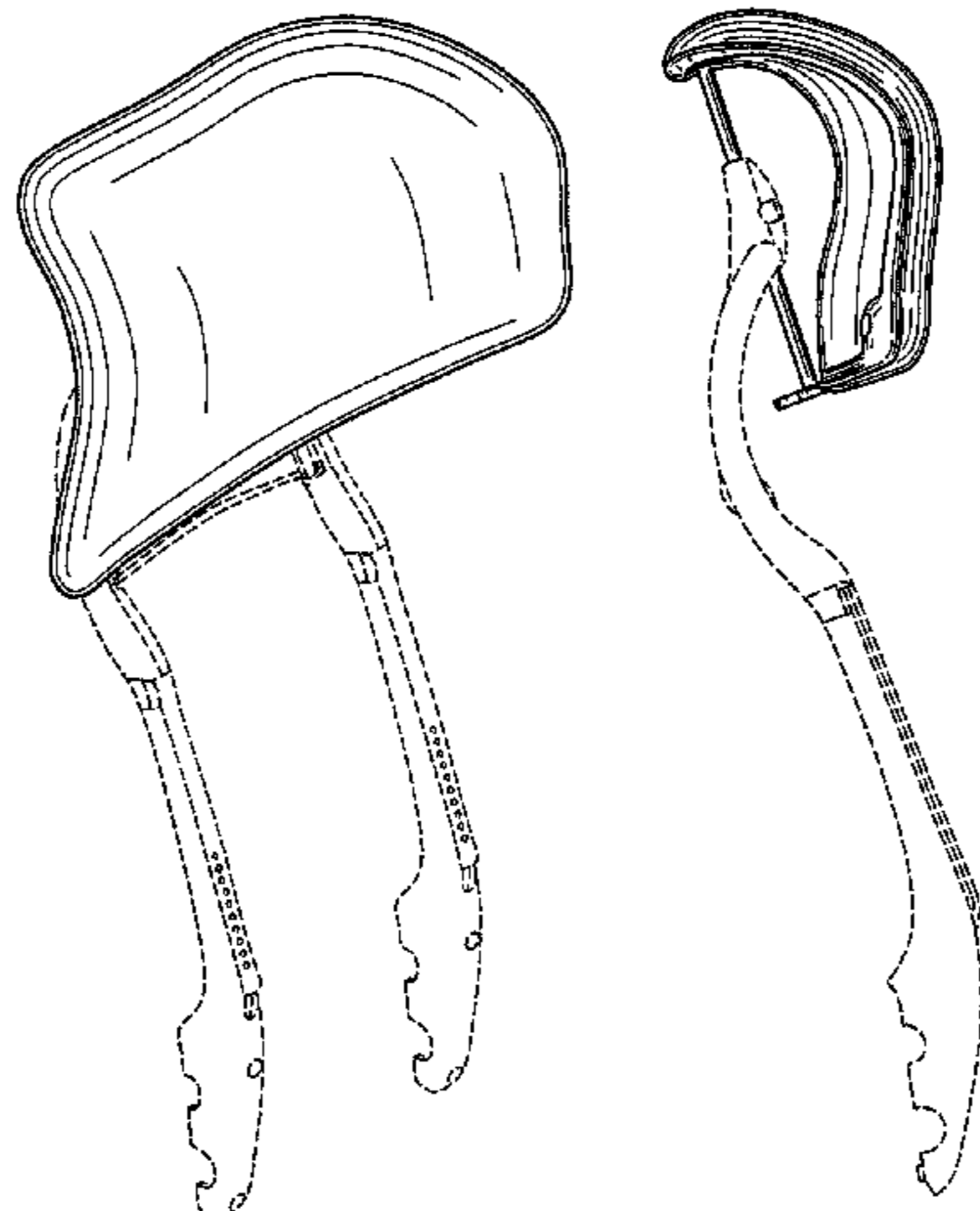
FIG. 5 is a side view thereof;

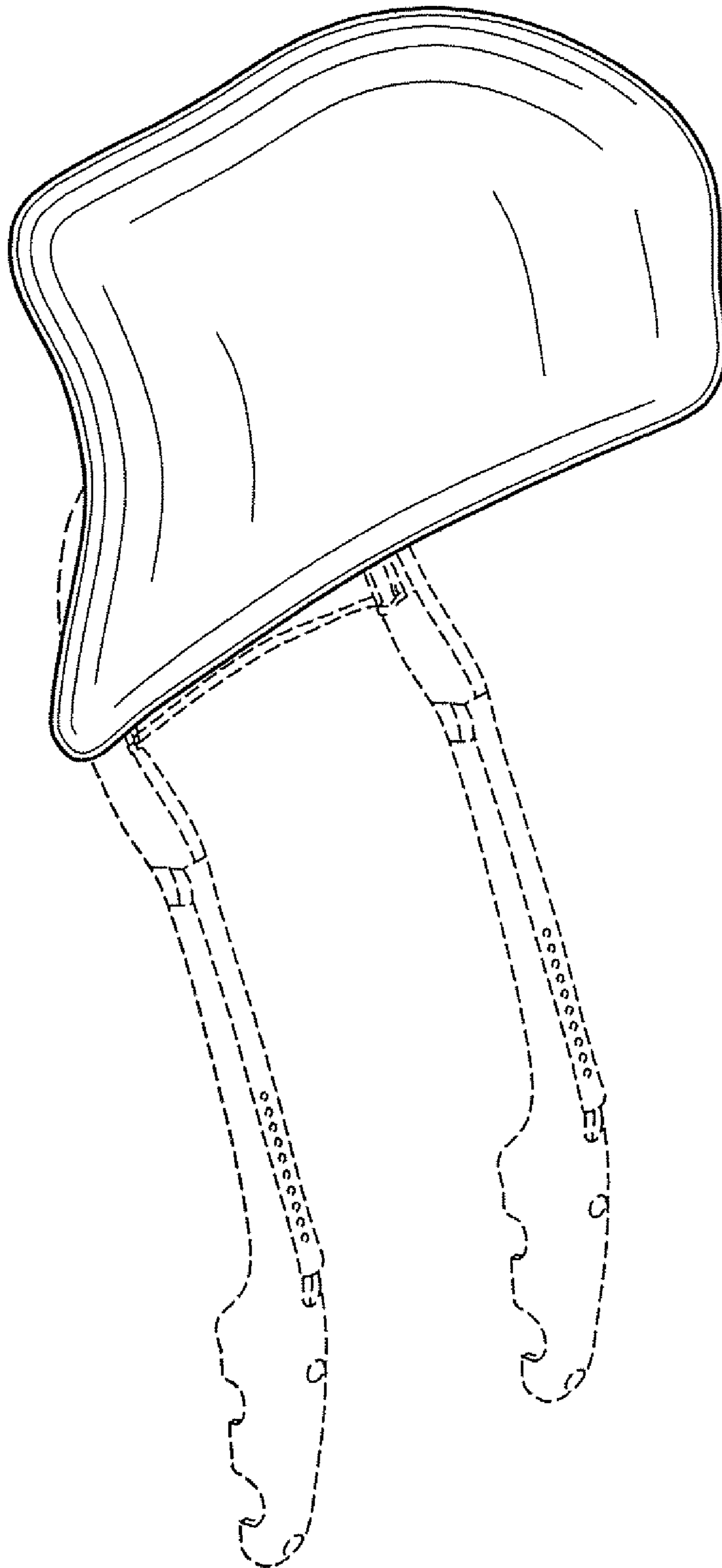
FIG. 6 is a rear view thereof; and,

FIG. 7 is a bottom view thereof.

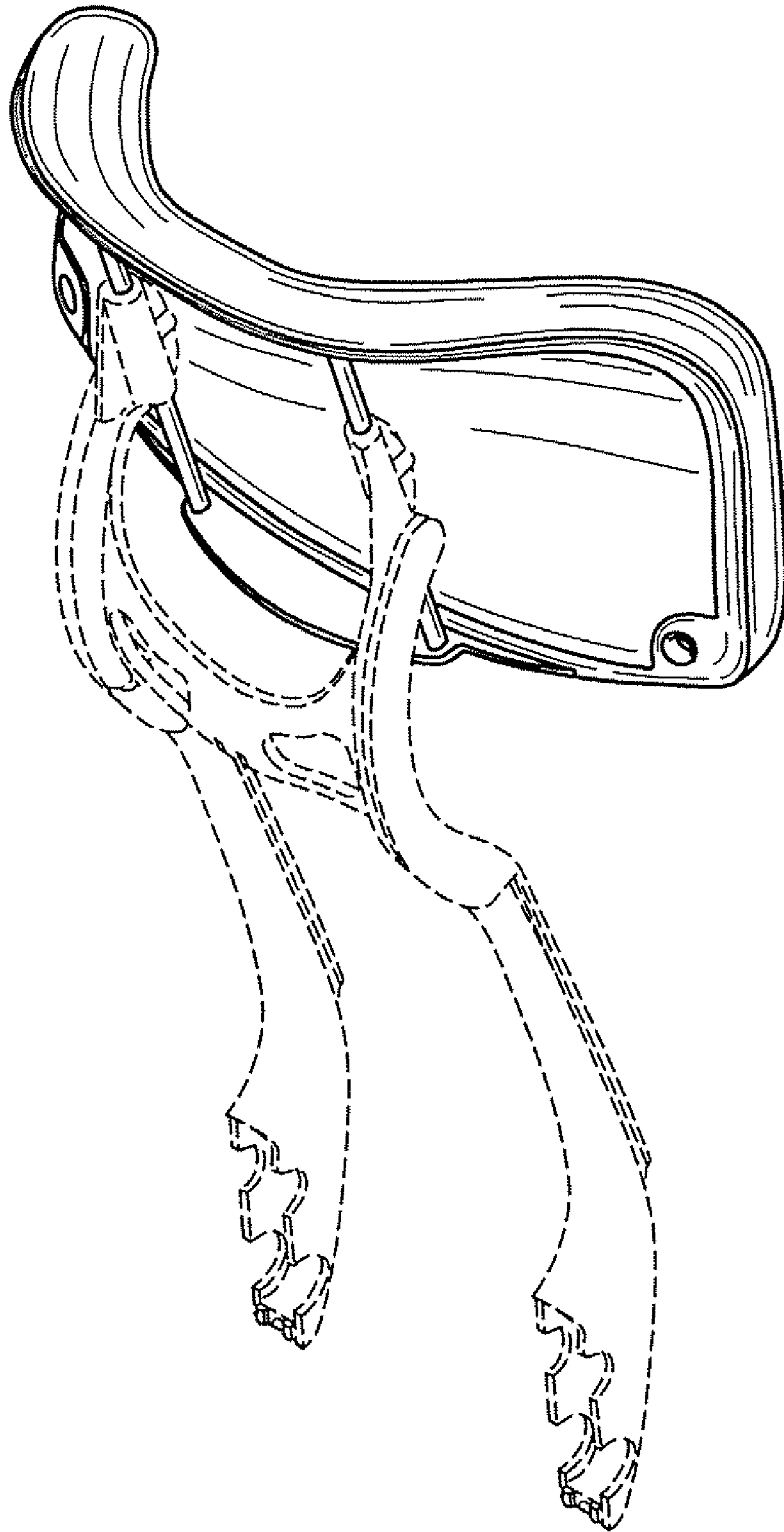
The broken lines shown herein are for illustrative purposes only and form no part of the claimed design.

**1 Claim, 7 Drawing Sheets**

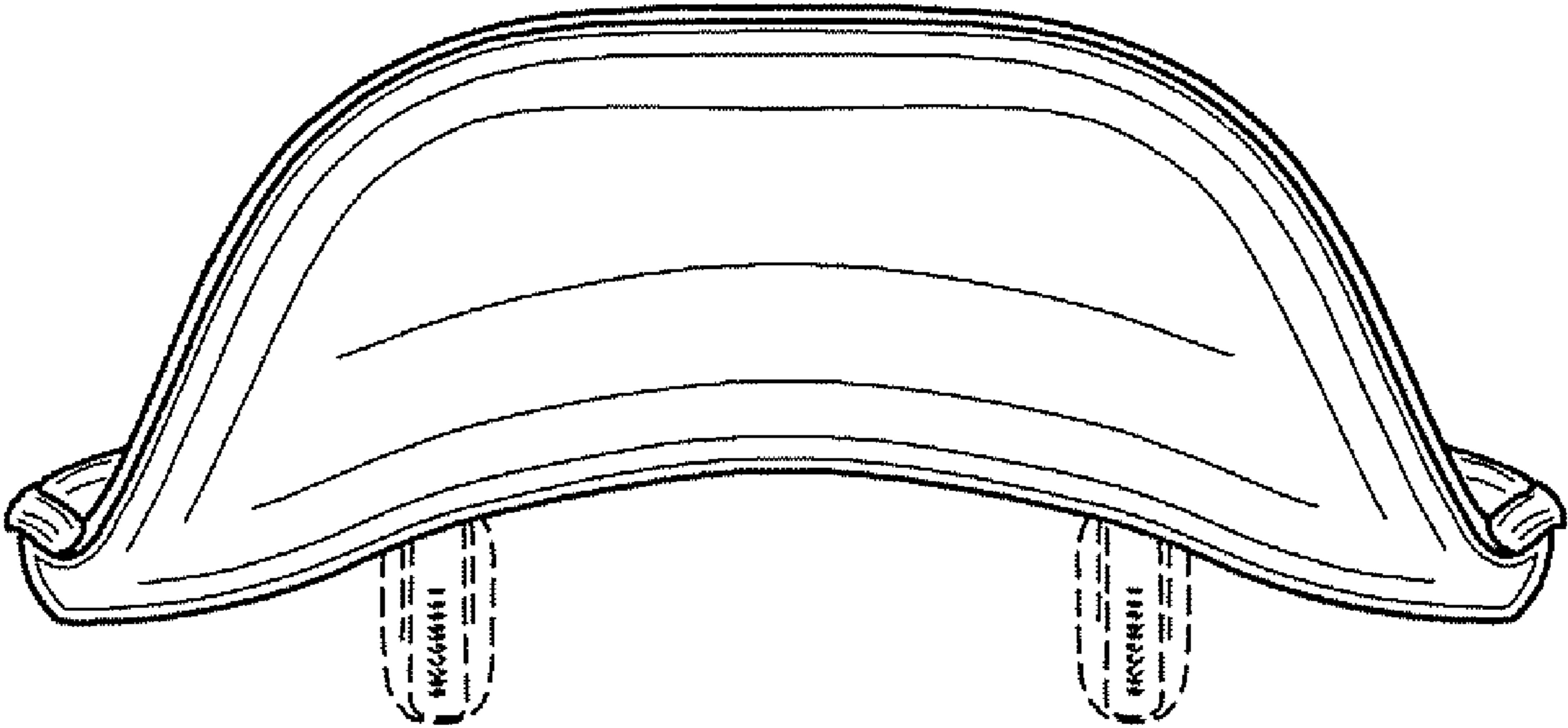




**FIG. 1**



**FIG. 2**



*FIG. 3*

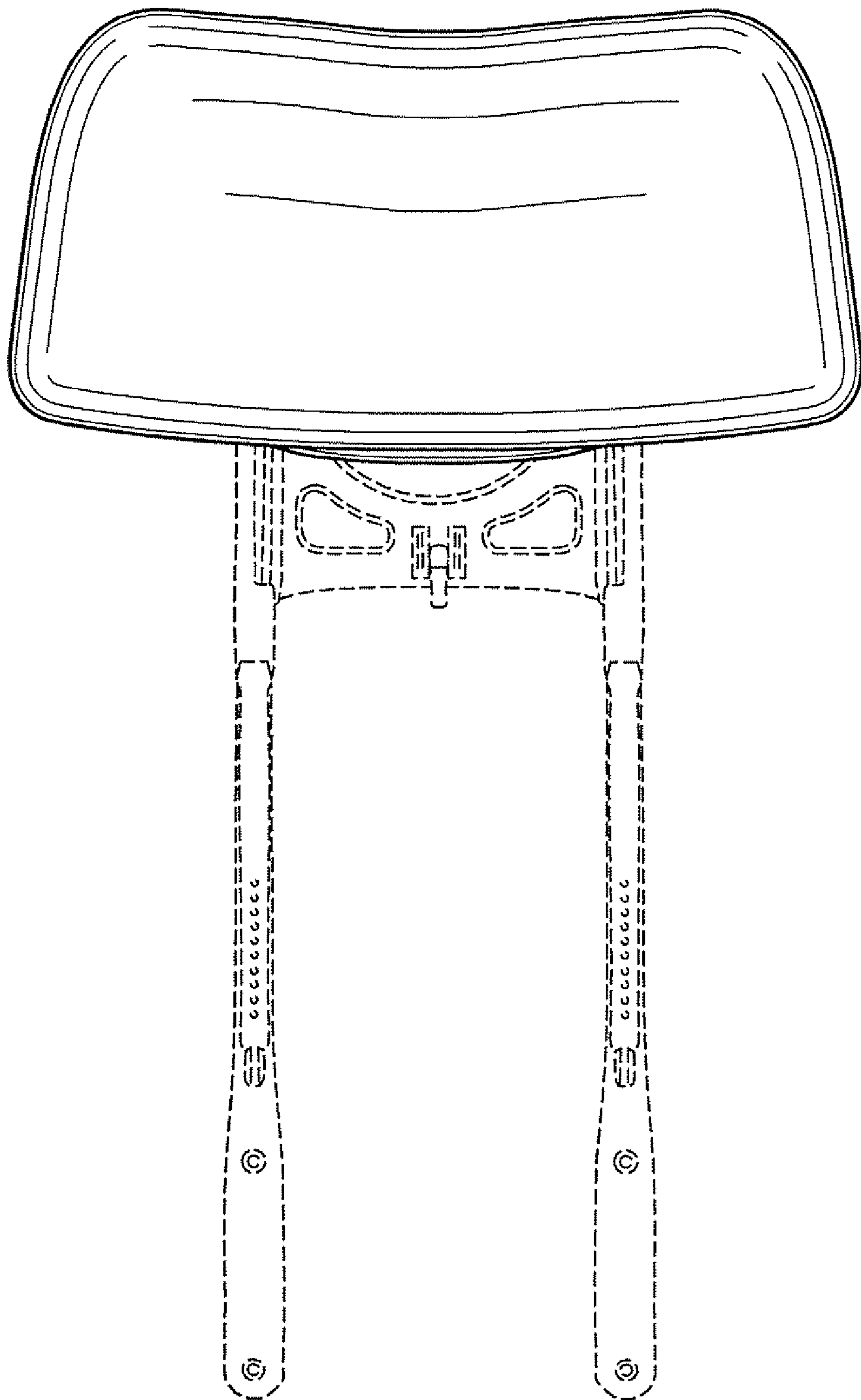


FIG. 4

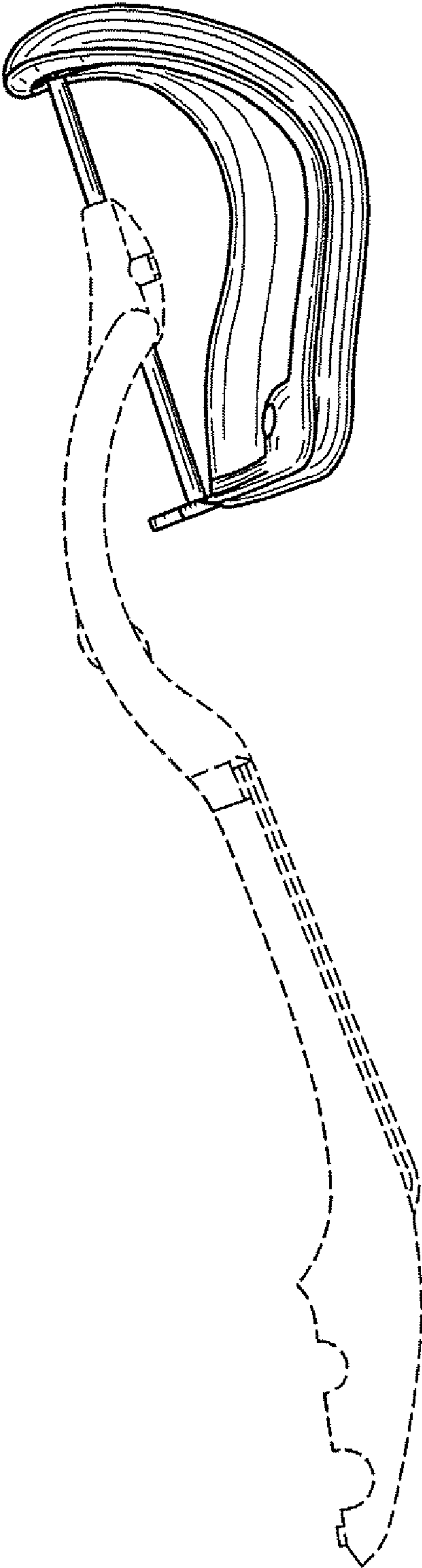


FIG. 5

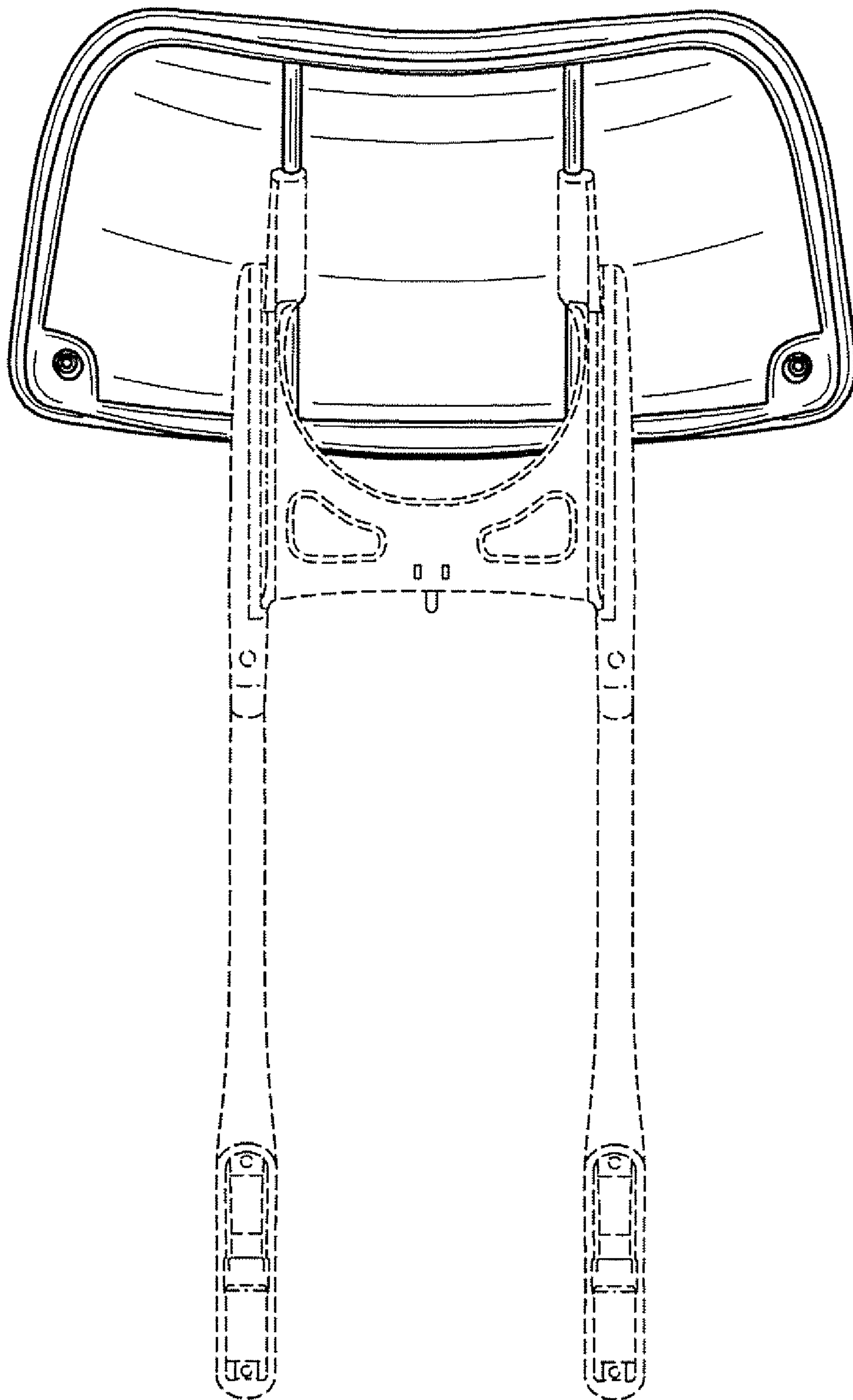
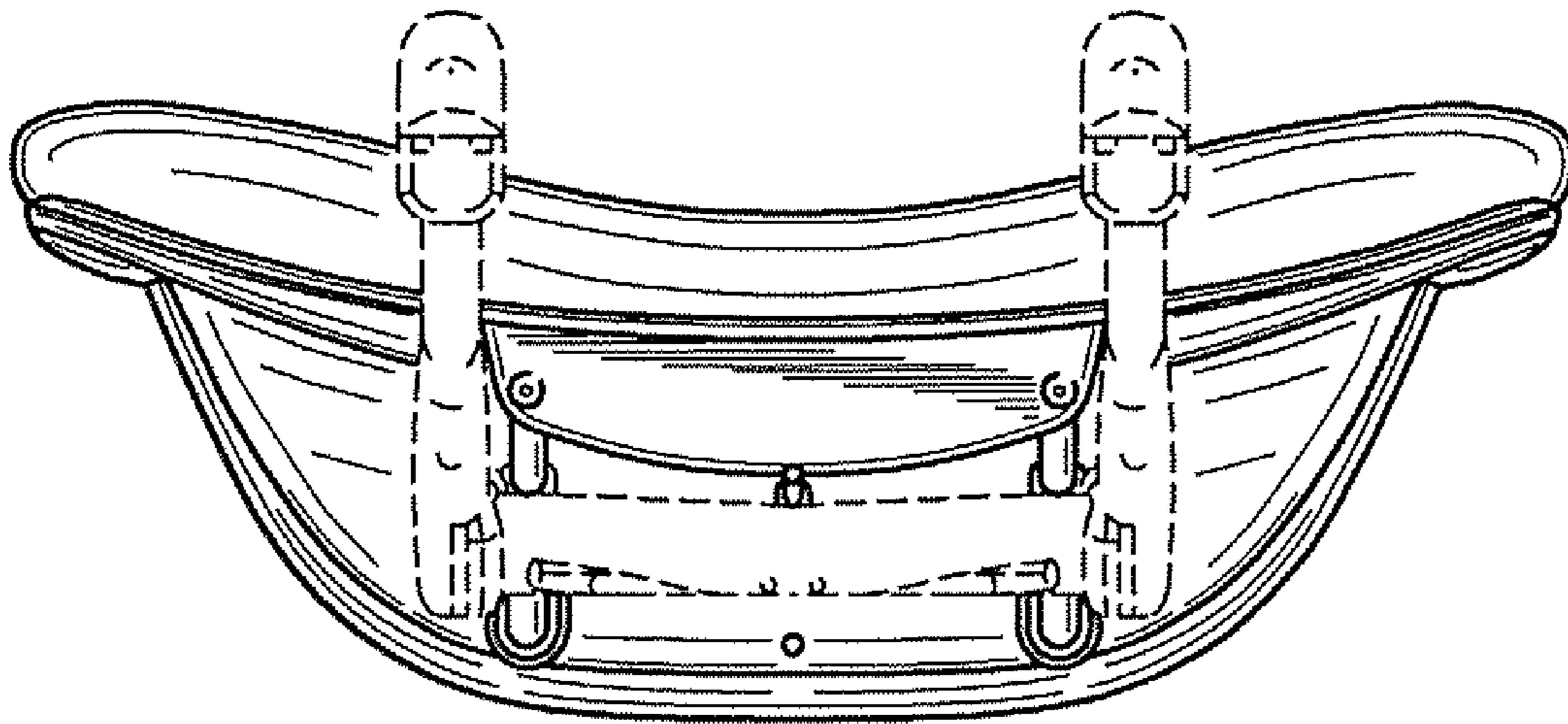


FIG. 6



*FIG. 7*