



US00D584905S

(12) **United States Design Patent**
Kiska

(10) **Patent No.:** **US D584,905 S**
(45) **Date of Patent:** **** Jan. 20, 2009**

(54) **EXHIBITION STAND**

(75) Inventor: **Gerald Kiska, Salzburg (AT)**

(73) Assignee: **Hirsch Armbänder GmbH, Klagenfurt (AT)**

(**) Term: **14 Years**

(21) Appl. No.: **29/257,572**

(22) Filed: **Apr. 7, 2006**

(30) **Foreign Application Priority Data**

Oct. 7, 2005	(EM)	000415856-0001
Oct. 7, 2005	(EM)	000415856-0002
Oct. 7, 2005	(EM)	000415856-0003
Oct. 7, 2005	(EM)	000415856-0004

(51) **LOC (9) Cl.** **06-07**

(52) **U.S. Cl.** **D6/454**

(58) **Field of Classification Search** D6/454,
D6/409, 301, 449, 455, 465, 468, 457, 463;
211/13.1, 45, 47, 48, 49.1, 50, 51-58, 96,
211/128.1, 129.1, 163, 168, 19; 40/376,
40/492

See application file for complete search history.

(56) **References Cited**

U.S. PATENT DOCUMENTS

D162,084	S *	2/1951	Robinson	D6/454
3,181,706	A *	5/1965	Mandel	211/163
3,200,958	A *	8/1965	Hudgeons, Sr. et al.	211/4
3,391,796	A *	7/1968	Cross	211/169
3,777,896	A *	12/1973	Ehrlich	211/59.2

D235,818	S *	7/1975	Folkart	D6/454
D249,000	S *	8/1978	Simmons	D6/454
D273,255	S *	4/1984	Marcus	D6/454
D392,816	S *	3/1998	Franklin et al.	D6/454
6,547,087	B2 *	4/2003	Accatino	211/169
D498,087	S *	11/2004	Stein	D6/454
6,811,046	B2 *	11/2004	Stein	211/169
D549,003	S *	8/2007	Biser	D6/454
2001/0008223	A1 *	7/2001	Accatino	211/169
2005/0011846	A1 *	1/2005	Stein	211/169

FOREIGN PATENT DOCUMENTS

DE 3200958 A1 * 7/1983

* cited by examiner

Primary Examiner—Caron Veynar

Assistant Examiner—Sydney R Buffalow

(74) *Attorney, Agent, or Firm*—Dickstein Shapiro LLP

(57) **CLAIM**

The ornamental design for an exhibition stand, as shown and described.

DESCRIPTION

FIG. 1 is a front view of an exhibition stand showing my new design;

FIG. 2 is a back view thereof;

FIG. 3 is a front side view thereof;

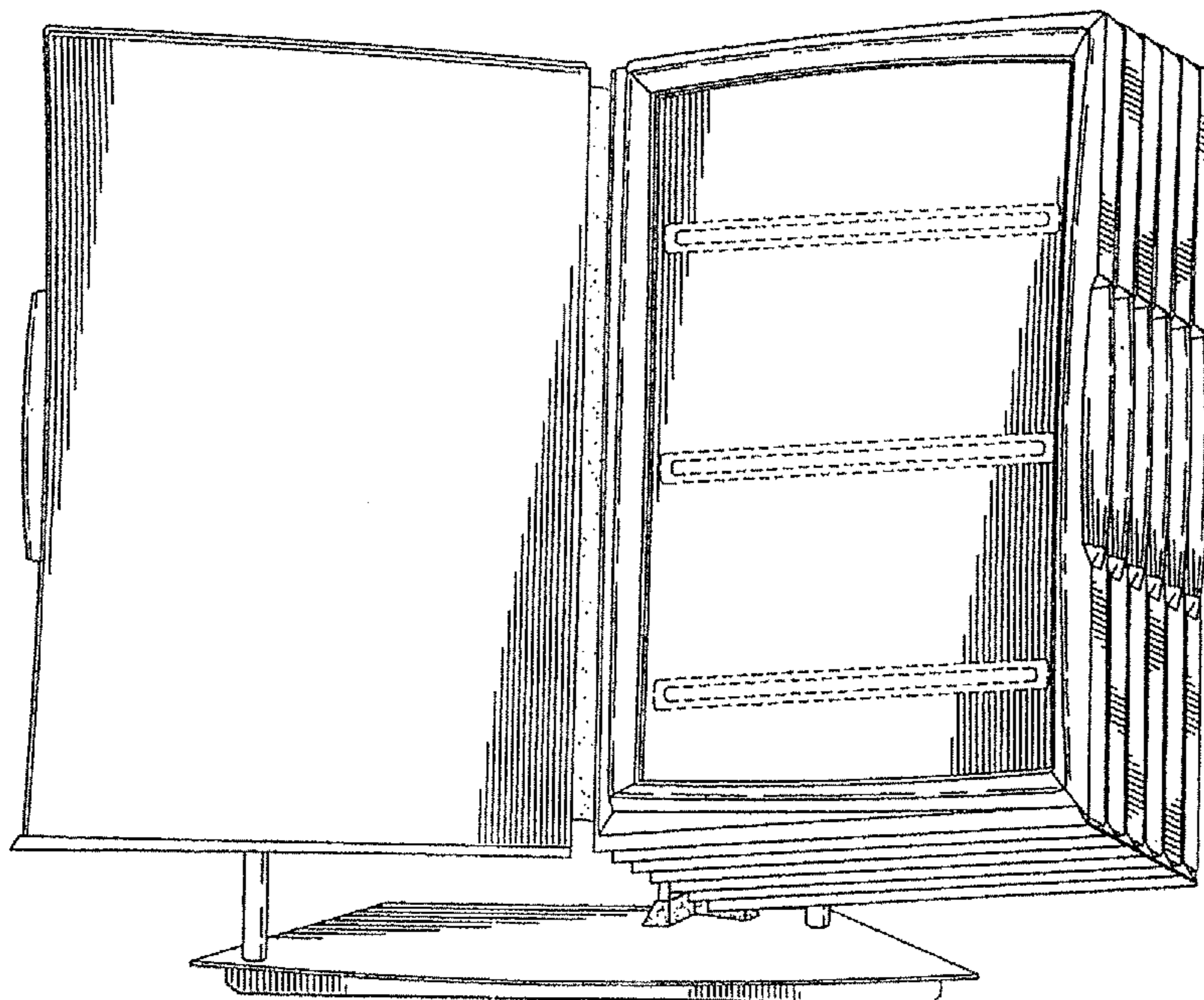
FIG. 4 is a front side view looking down thereof;

FIG. 5 is a side view thereof;

FIG. 6 is a backside view thereof; and,

FIG. 7 is a top view.

1 Claim, 6 Drawing Sheets



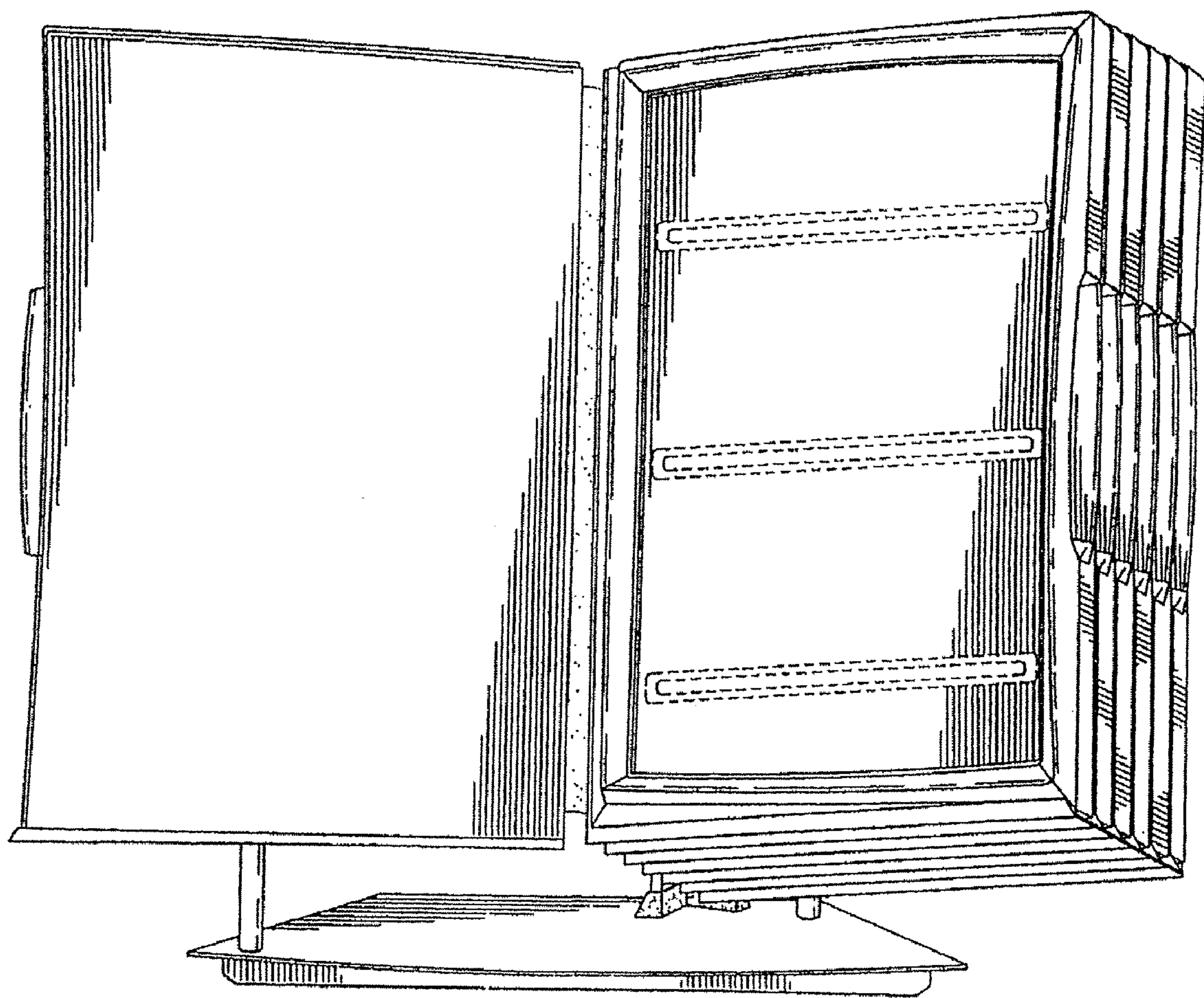


FIG. 1

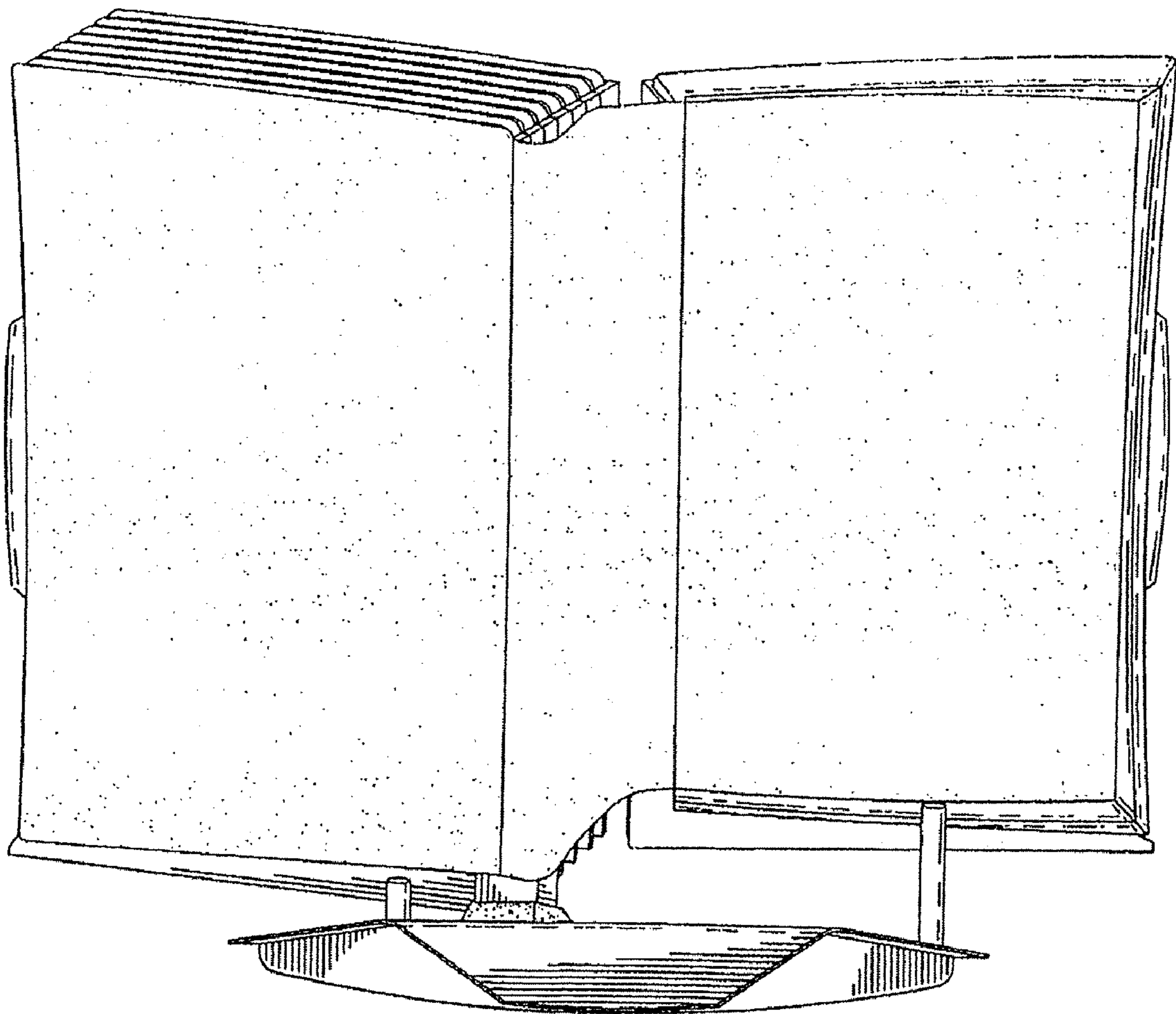


FIG. 2

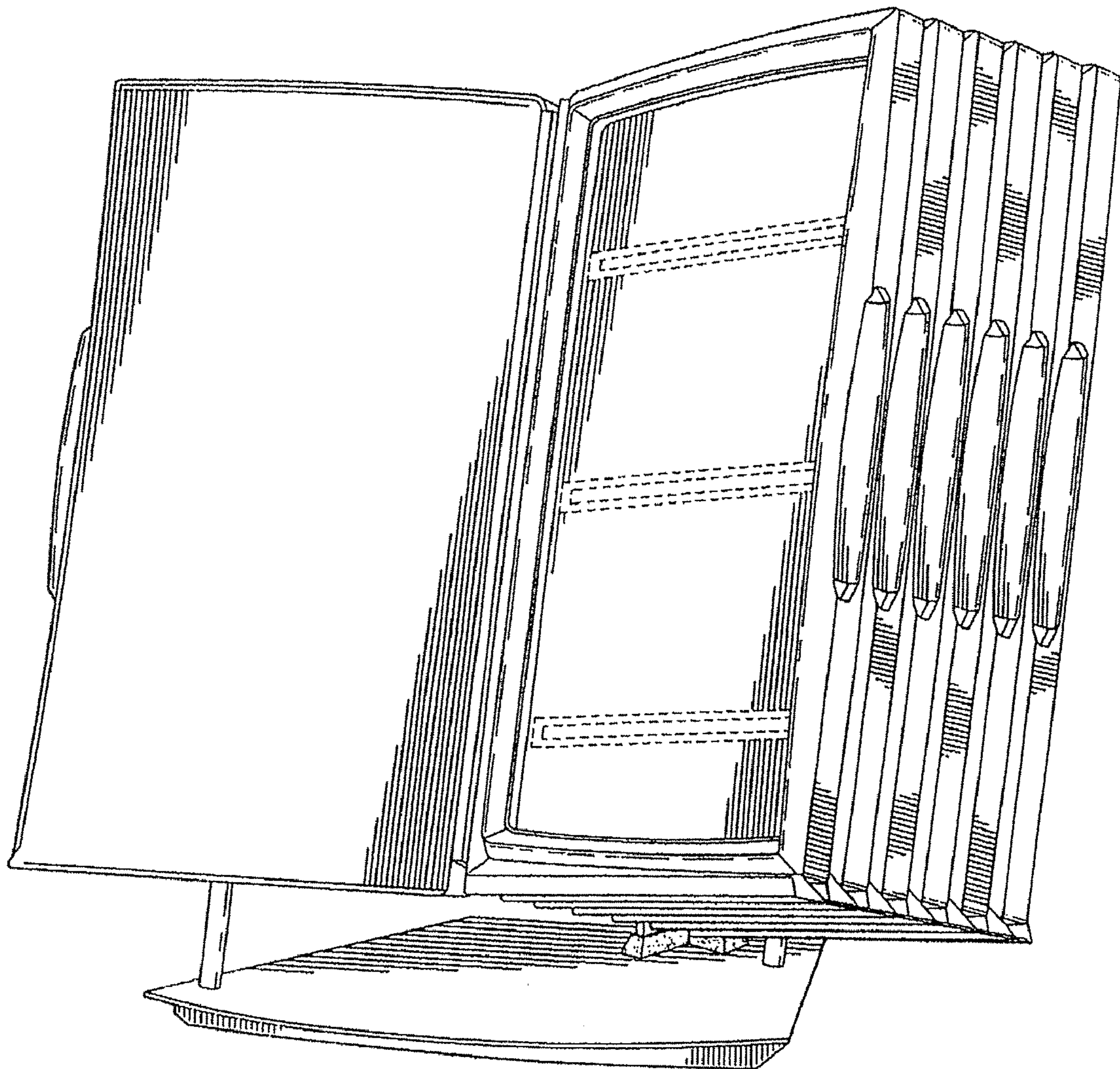


FIG. 3

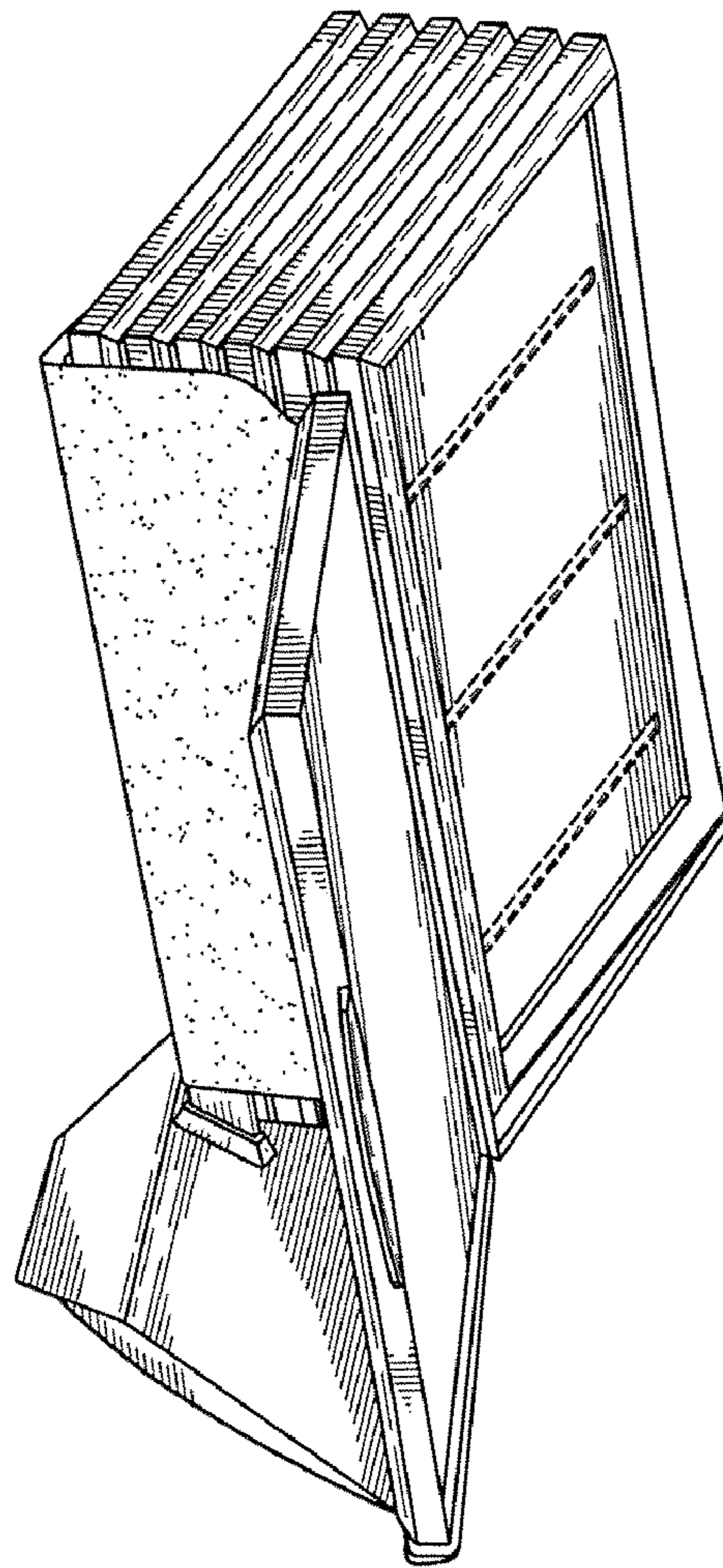


FIG. 4

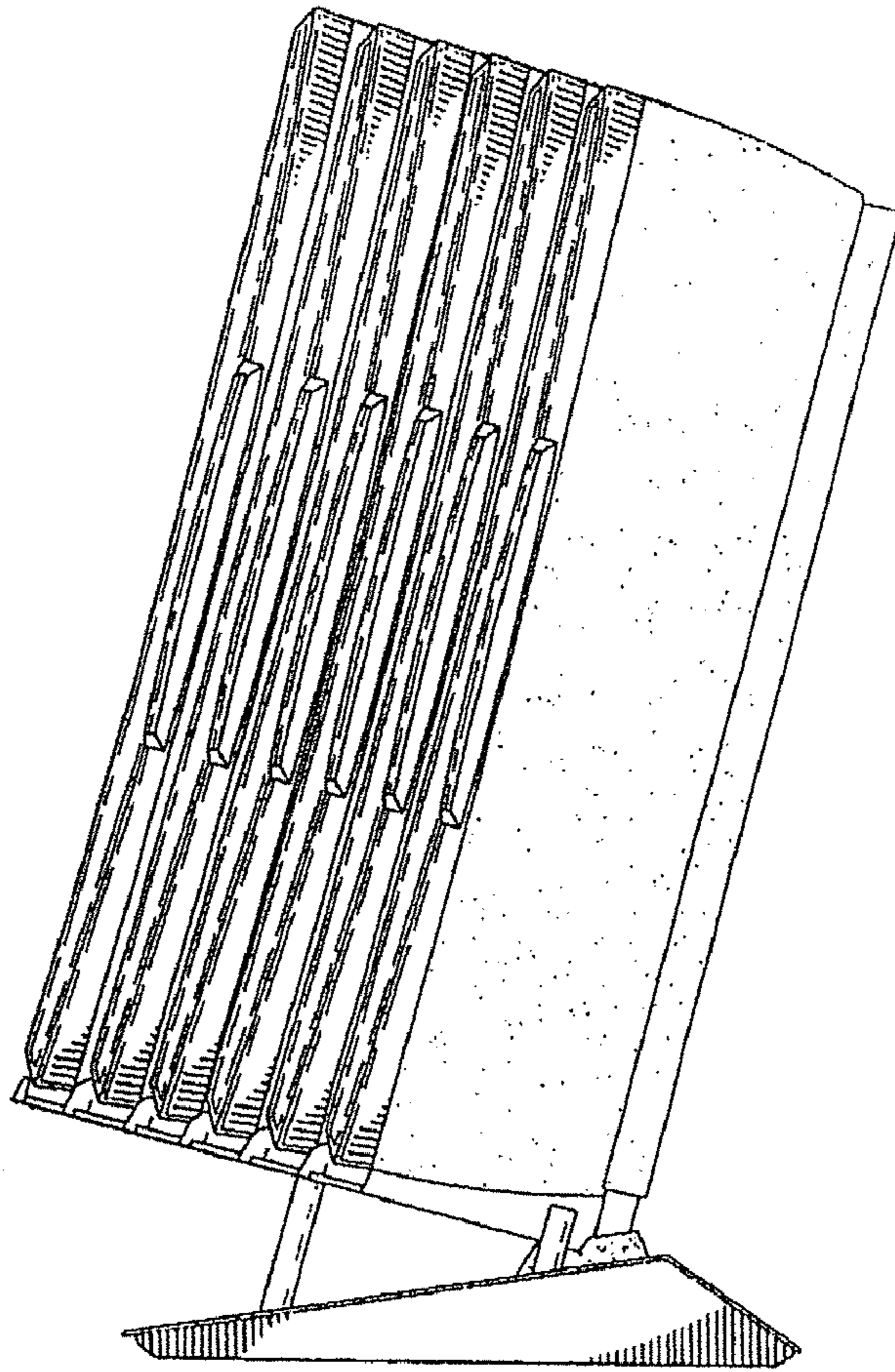


FIG. 5

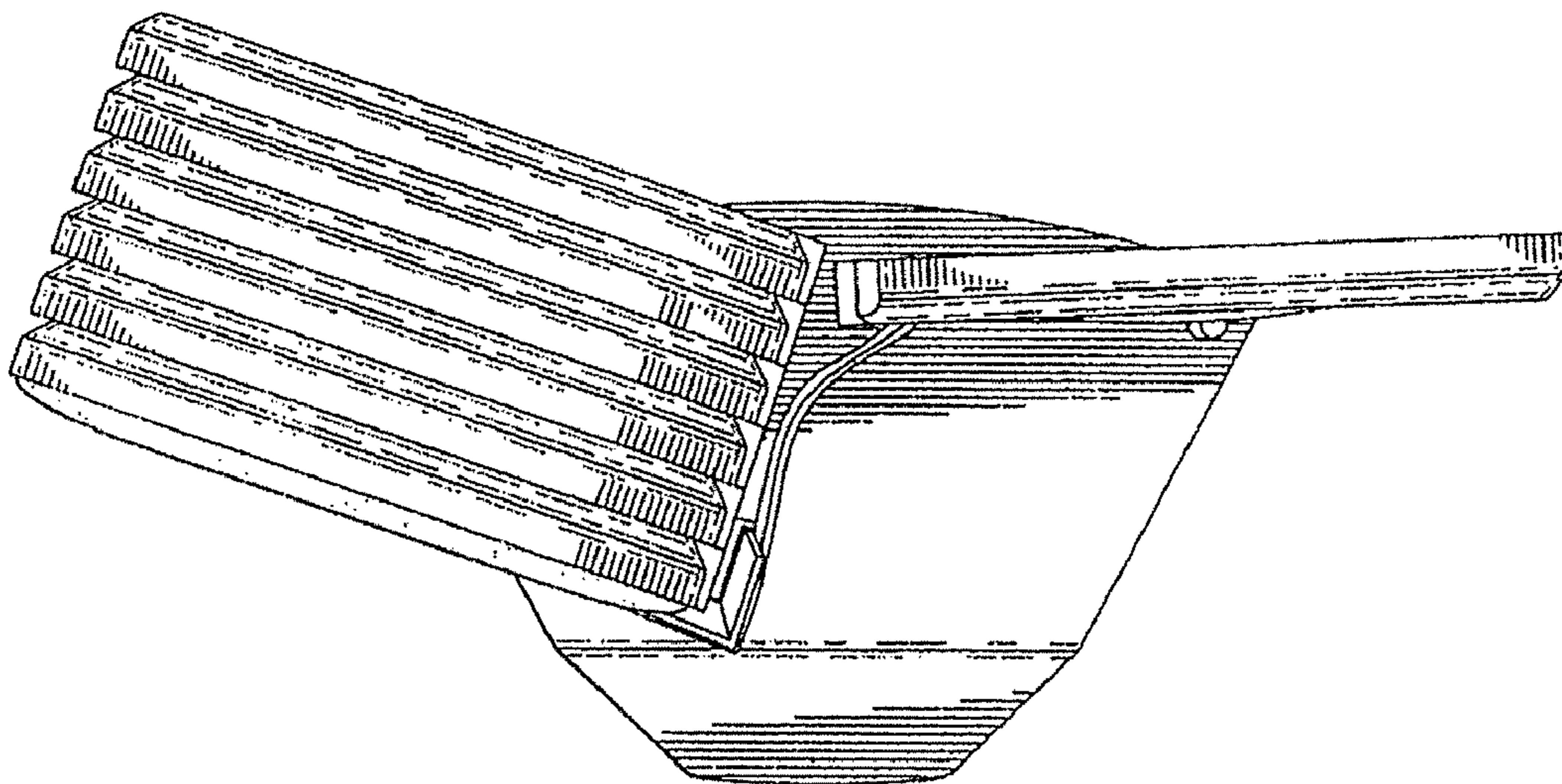


FIG. 7

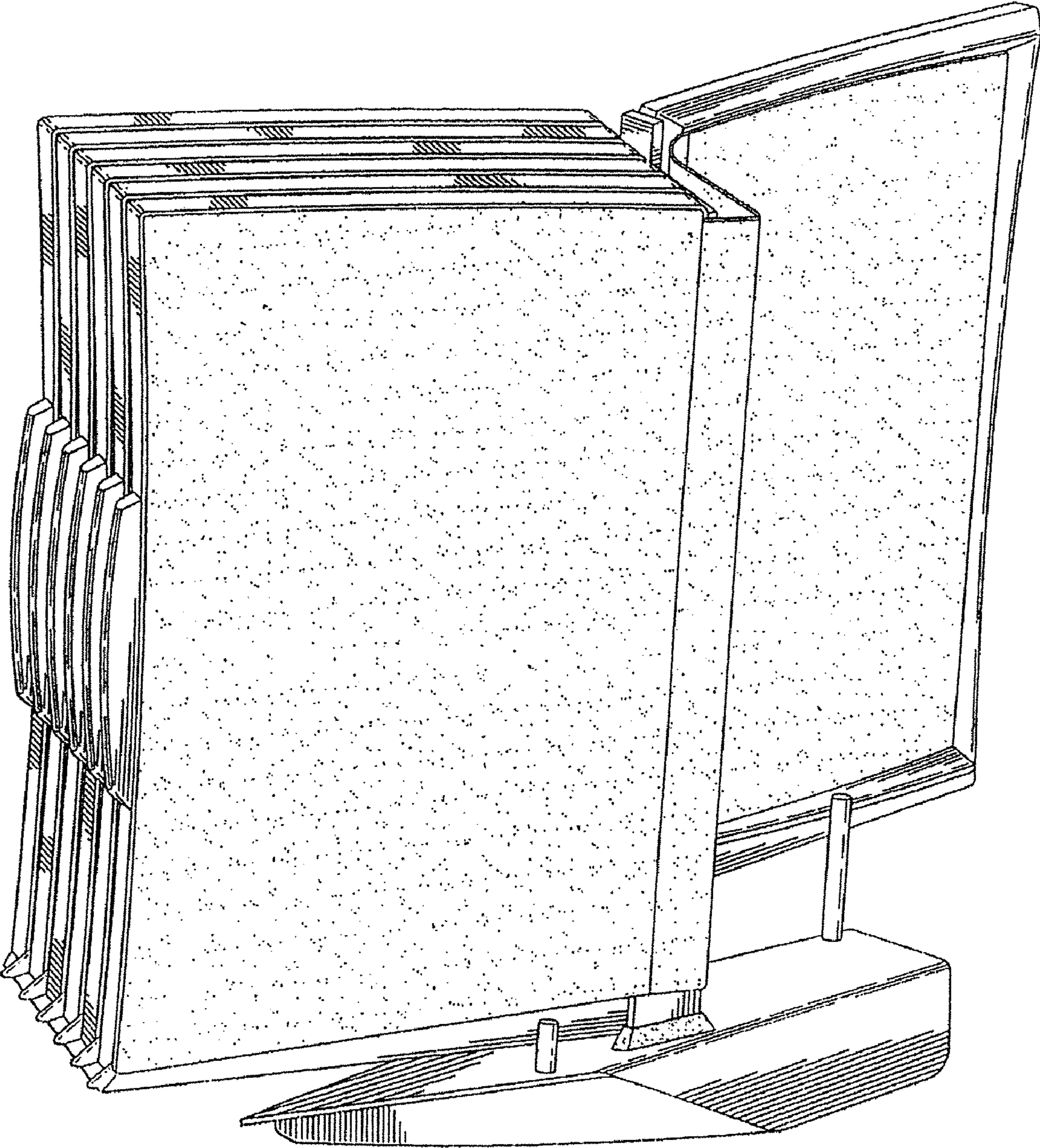


FIG. 6