



US00D584904S

(12) **United States Design Patent**
Zarelius

(10) **Patent No.:** **US D584,904 S**
(45) **Date of Patent:** **** Jan. 20, 2009**

(54) **SUPPORT STAND**

(75) Inventor: **Christer Zarelius**, Stockholm (SE)

(73) Assignee: **Expand International AB**, Stockholm (SE)

(**) Term: **14 Years**

(21) Appl. No.: **29/287,777**

(22) Filed: **Sep. 18, 2007**

(30) **Foreign Application Priority Data**

Sep. 3, 2007 (EM) 000782842

(51) **LOC (9) Cl.** **08-05**

(52) **U.S. Cl.** **D6/431**

(58) **Field of Classification Search** D8/349,
D8/354; D6/462, 431, 495, 498-499, 419;
248/441.1, 448, 454, 457, 460-461, 158,
248/127, 188.7

See application file for complete search history.

(56) **References Cited**

U.S. PATENT DOCUMENTS

3,235,215 A * 2/1966 Lodde, Jr. 248/161
D268,458 S * 4/1983 Schoenig D6/431

D293,052 S * 12/1987 Handler et al. D6/431
D328,397 S * 8/1992 Handler et al. D6/431
6,193,204 B1 * 2/2001 Hsu 248/441.1
D477,930 S * 8/2003 Minus D6/419
D481,563 S * 11/2003 Hsieh D6/498
D540,564 S * 4/2007 Tai D6/419

* cited by examiner

Primary Examiner—Holly H Baynham

(74) *Attorney, Agent, or Firm*—Ohlandt, Greeley, Ruggiero & Perle, L.L.P.

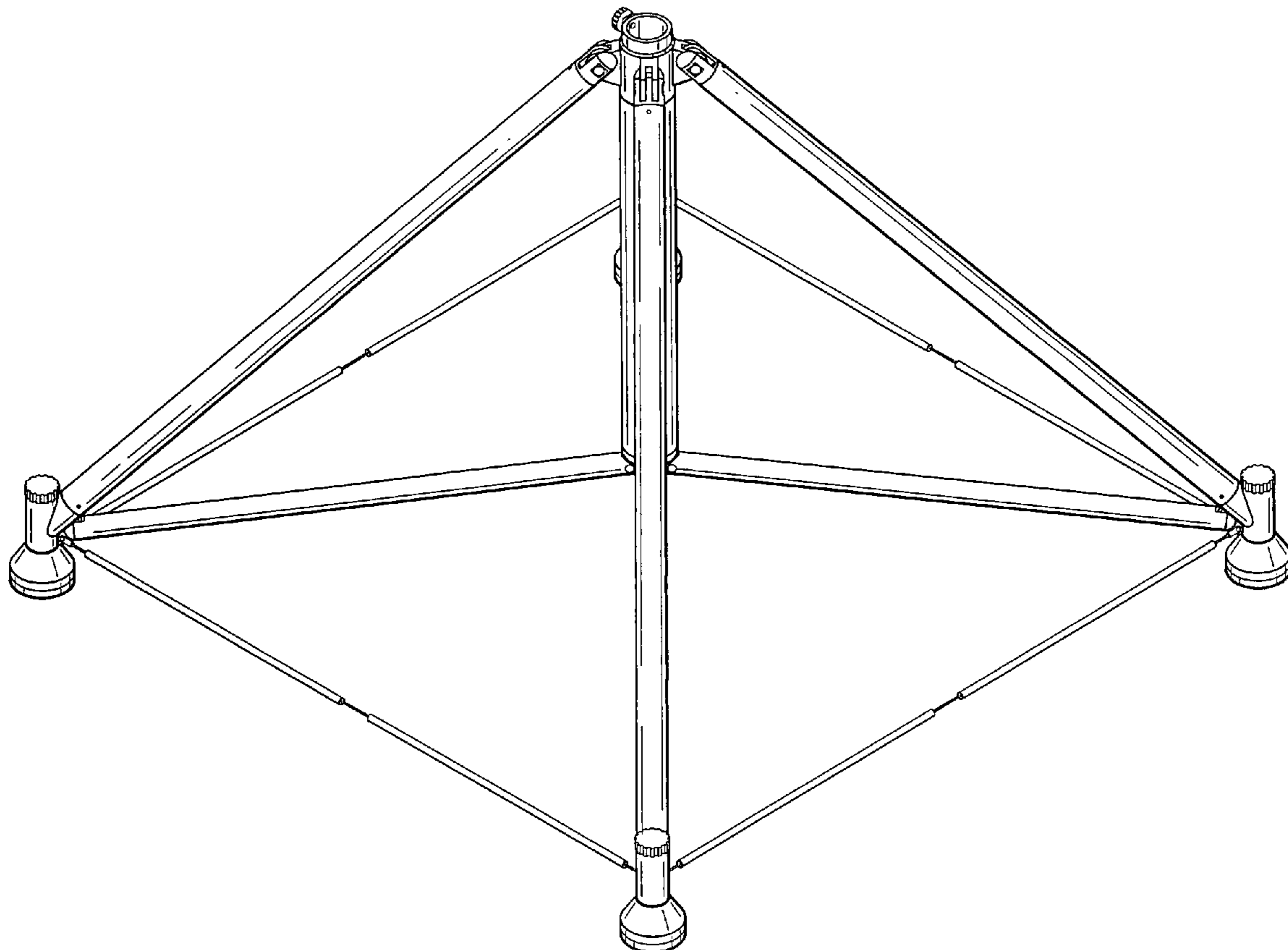
(57) **CLAIM**

The ornamental design for a support stand, as shown and described.

DESCRIPTION

FIG. 1 is a front side, perspective view of the support stand;
FIG. 2 is a front view of the support stand;
FIG. 3 is a rear view of the support stand;
FIG. 4 is a left side view of the support stand;
FIG. 5 is a right side view of the support stand;
FIG. 6 is a top view of the support stand; and,
FIG. 7 is a bottom view of the support stand.

1 Claim, 7 Drawing Sheets



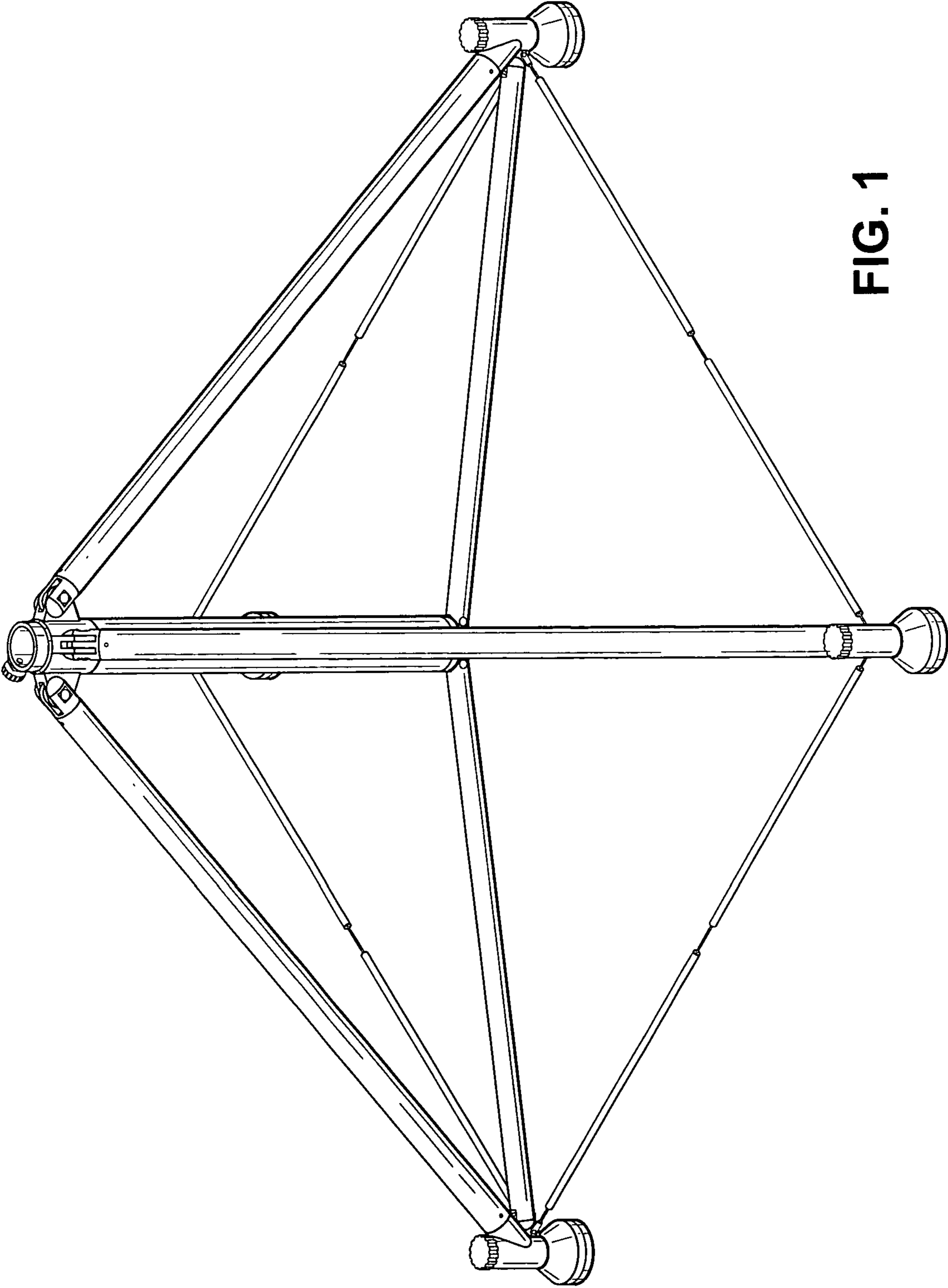


FIG. 1

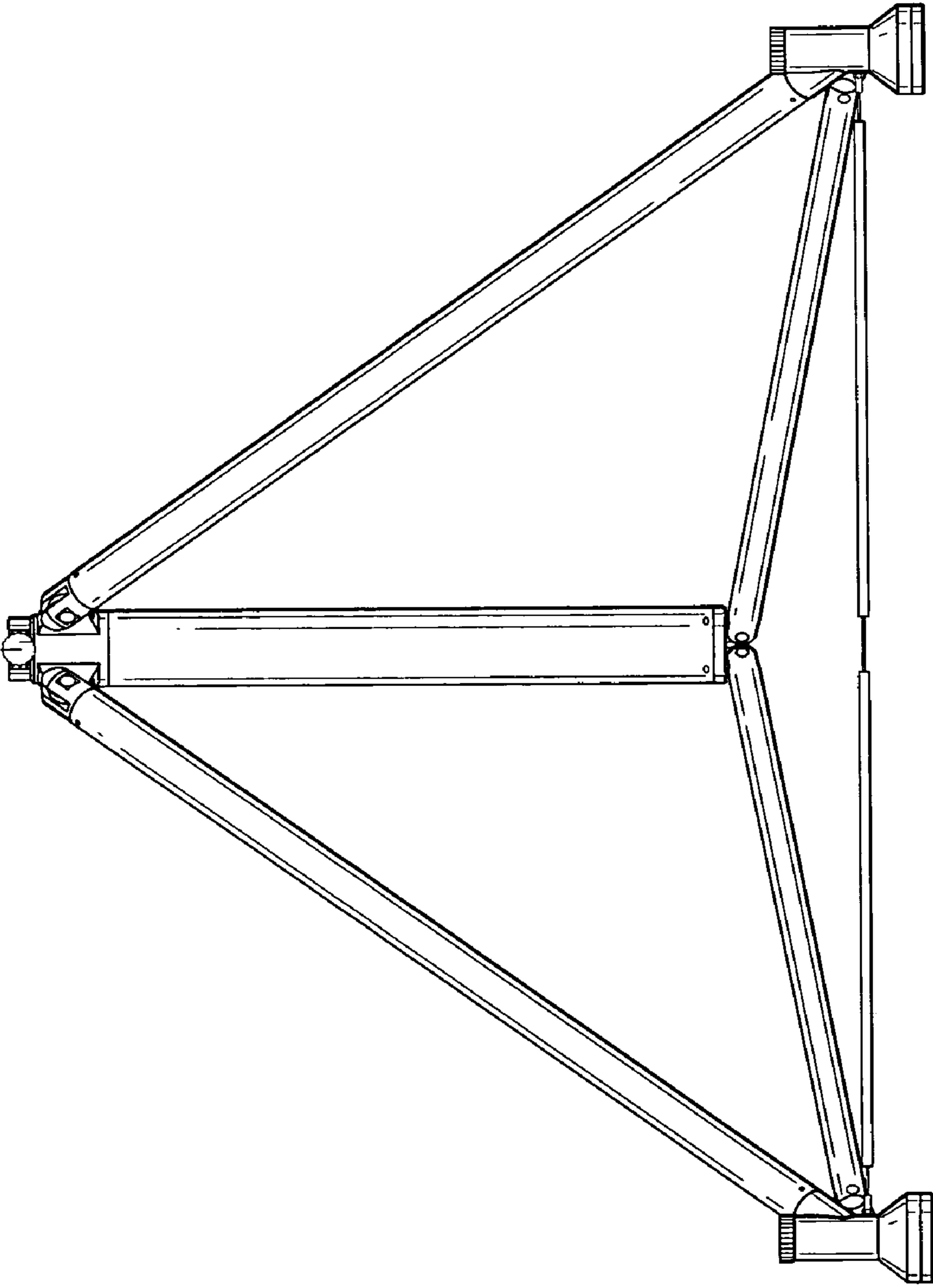


FIG. 2

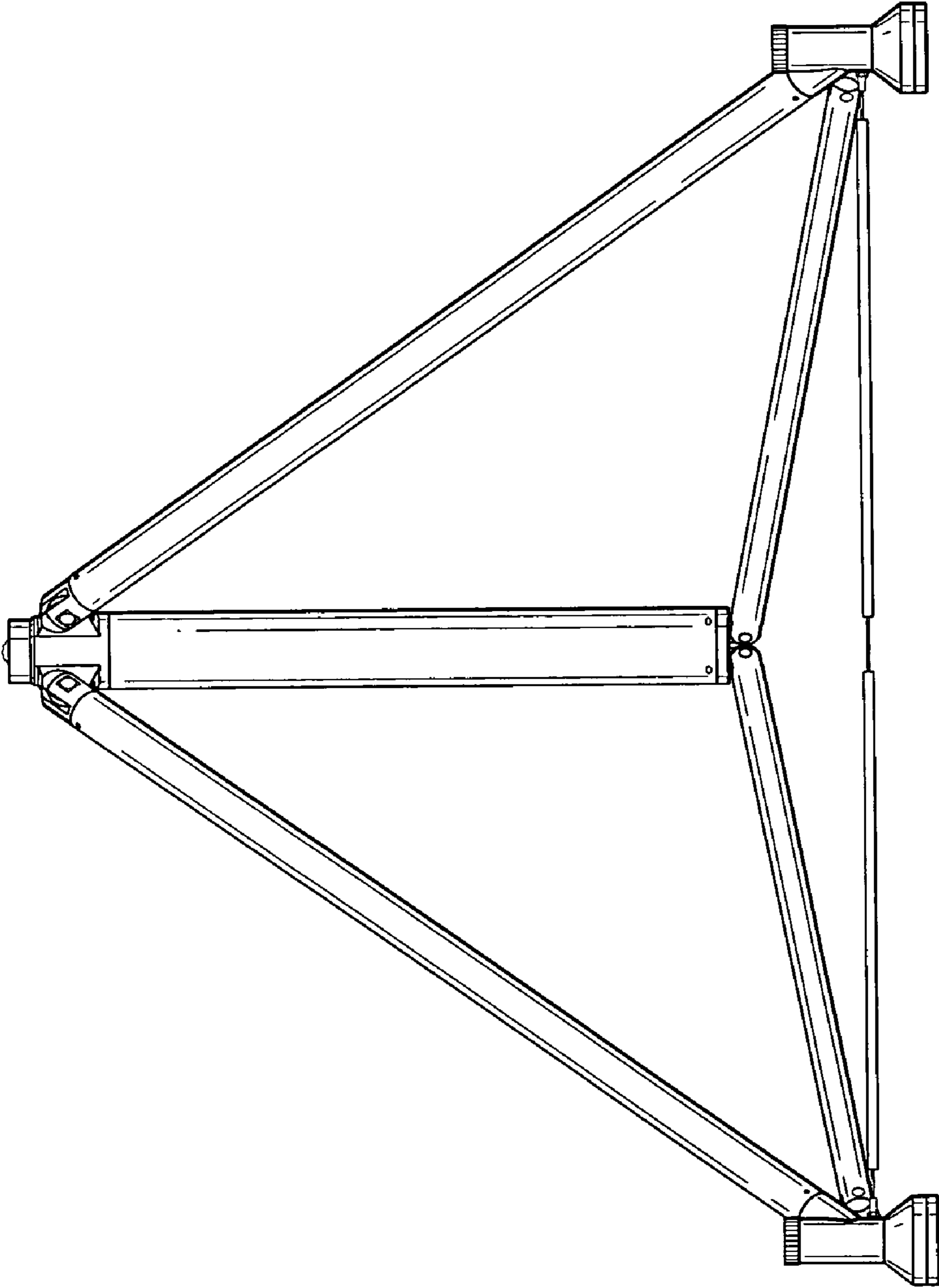


FIG. 3

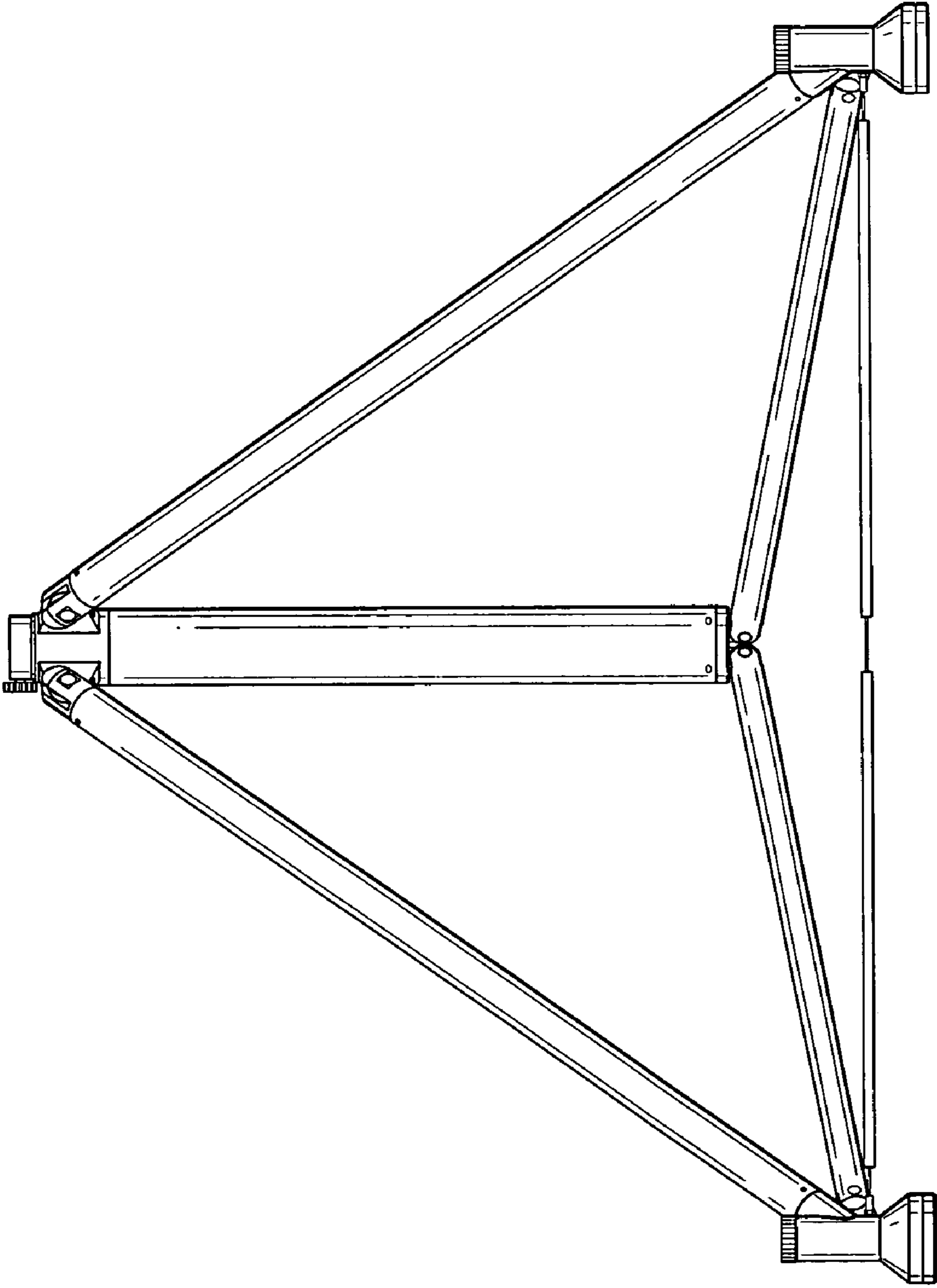


FIG. 4

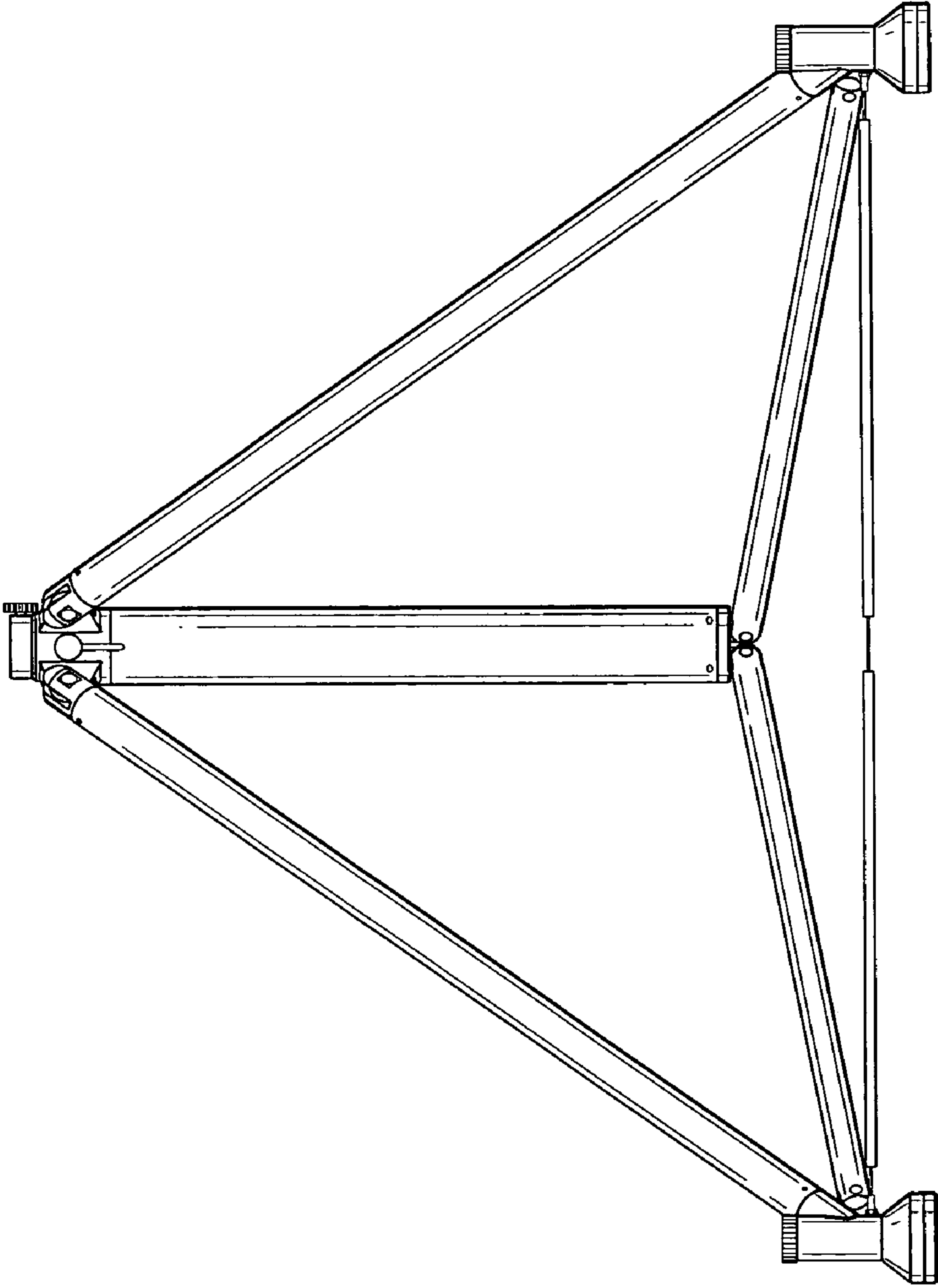


FIG. 5

FIG. 6

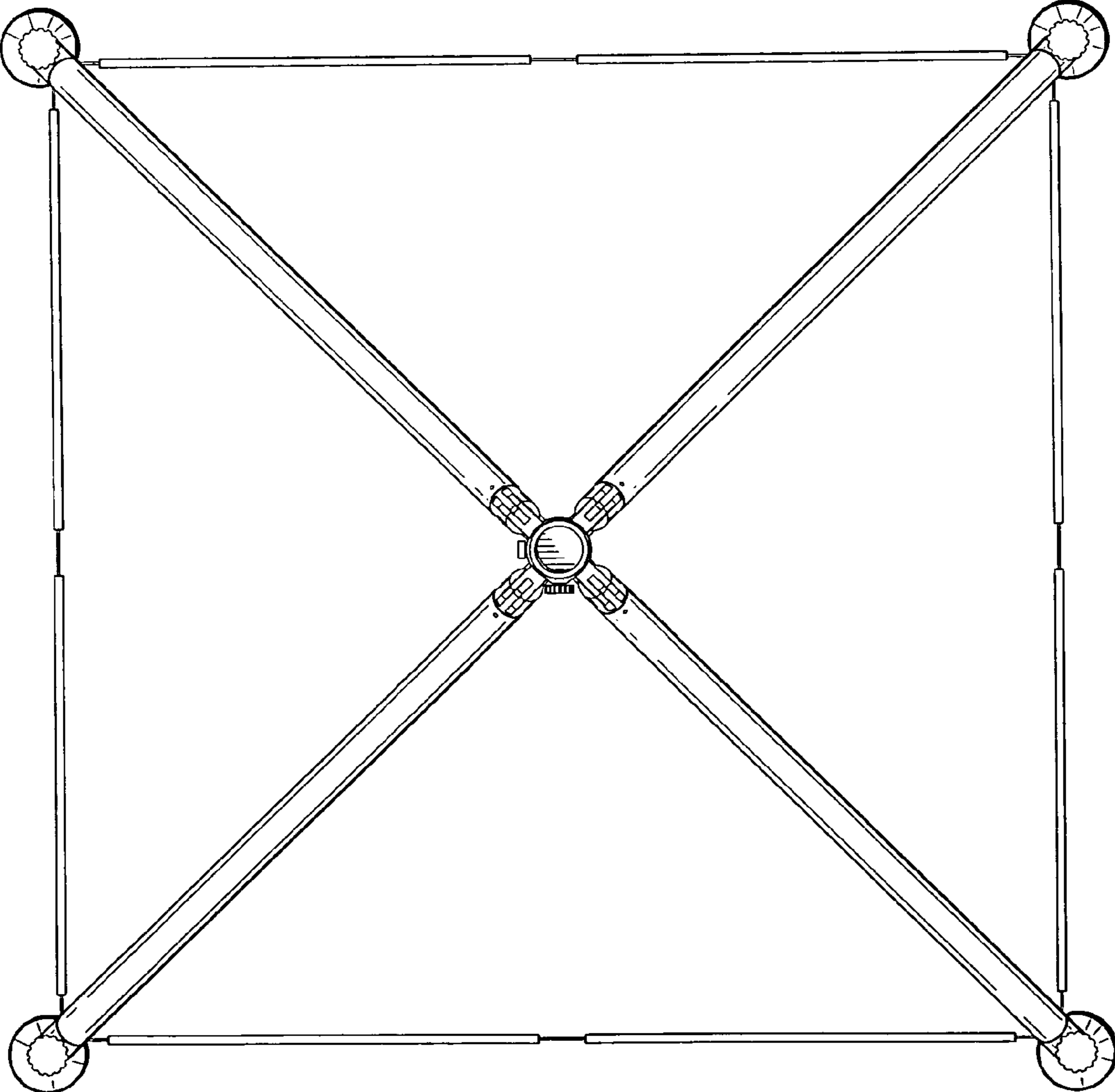


FIG. 7

