



US00D584903S

(12) **United States Design Patent**
Hand

(10) **Patent No.:** **US D584,903 S**
(45) **Date of Patent:** **** Jan. 20, 2009**

(54) **TOOL CABINET**

(75) Inventor: **Jim Hand**, Glen Ellyn, IL (US)

(73) Assignee: **Waterloo Industries, Inc.**, Oak Creek, WI (US)

(**) Term: **14 Years**

(21) Appl. No.: **29/270,016**

(22) Filed: **Dec. 13, 2006**

(51) **LOC (9) Cl.** **06-04**

(52) **U.S. Cl.** **D6/400; D3/297; D3/318; D3/905; D6/445**

(58) **Field of Classification Search** D3/260, D3/272-275, 276, 283, 294-297, 318, 321-322, D3/903, 905; D6/396-397, 432-448, 491, D6/509-510; D8/313; D32/25; D34/12; 206/349, 372-373, 376-379; 312/107, 117, 312/125, 204, 209, 224, 249.1, 249.11, 249.12, 312/257.1, 282, 308, 332.1, 351, 902; 361/695
See application file for complete search history.

(56) **References Cited**

U.S. PATENT DOCUMENTS

D182,558 S *	4/1958	Willman	D8/313
D205,522 S	8/1966	Doman		
D218,080 S	7/1970	Sierzega		
4,120,549 A	10/1978	Bureau		
D283,769 S *	5/1986	Cohn	D6/446
4,811,999 A *	3/1989	Remington et al.	312/249.8
D327,967 S	7/1992	Hikawa		
D341,253 S	11/1993	Ballman et al.		
5,332,305 A	7/1994	Slivon et al.		
5,443,311 A	8/1995	Kadlecek et al.		
D361,910 S	9/1995	Maple et al.		
D370,342 S	6/1996	Gwyther		
D370,572 S	6/1996	Lin		
D372,378 S	8/1996	Kruger		
5,607,214 A	3/1997	Pierce et al.		
D381,166 S	7/1997	Bonazza		
D385,722 S	11/1997	Yemini		
D386,626 S	11/1997	Yemini		

5,720,535 A	2/1998	Mehman		
D393,541 S	4/1998	Calmeise		
5,857,757 A	1/1999	Bieker et al.		
D423,817 S *	5/2000	Holcomb et al.	D6/445
D423,818 S	5/2000	Holcomb et al.		
D427,807 S	7/2000	Holcomb et al.		
6,109,709 A	8/2000	Holcomb et al.		
D430,426 S	9/2000	Bieker et al.		

(Continued)

Primary Examiner—Caron Veynar
Assistant Examiner—Ricky Pham
(74) *Attorney, Agent, or Firm*—Calfee, Halter & Griswold LLP

(57) **CLAIM**

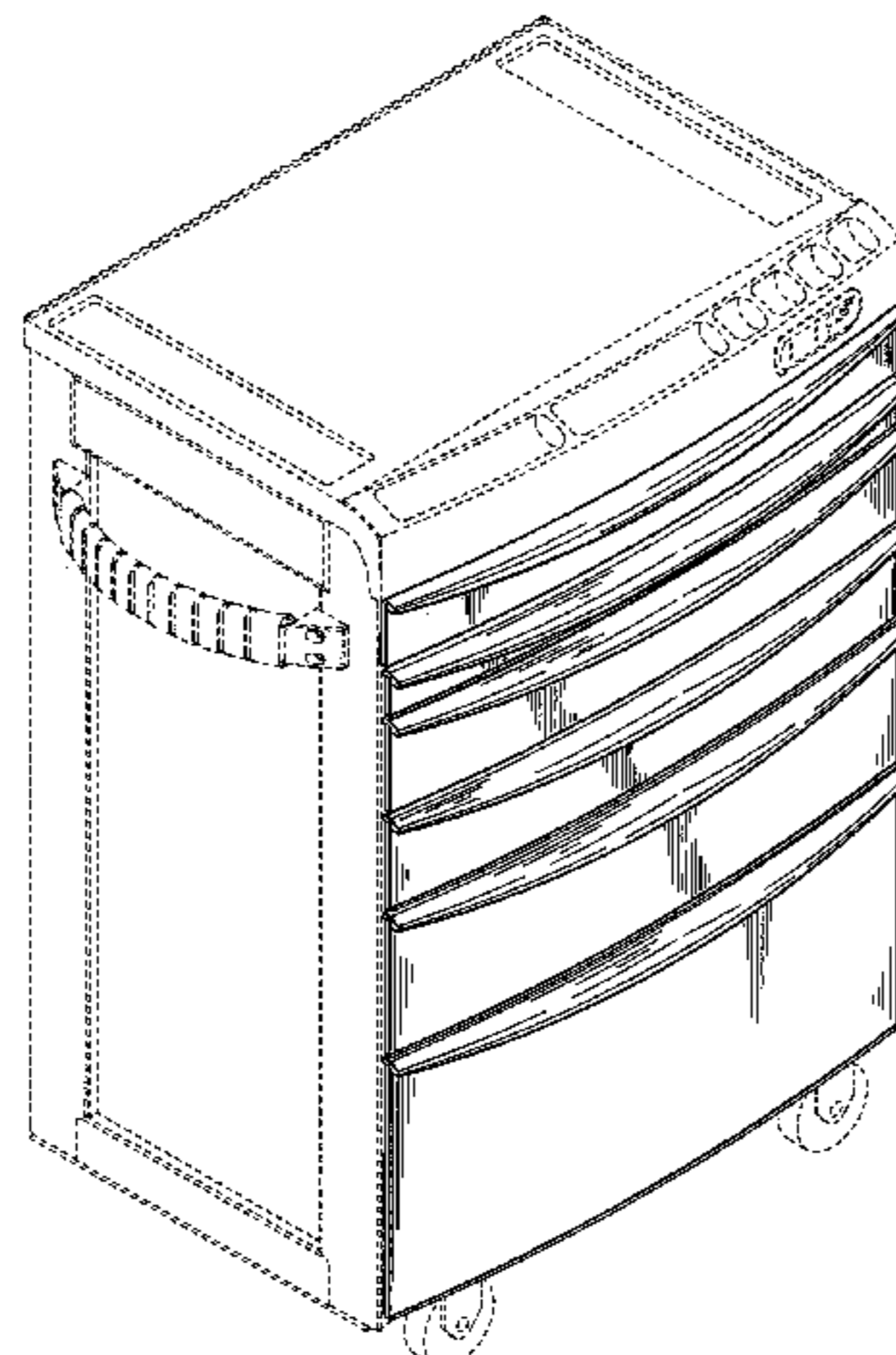
I claim the ornamental design for a tool cabinet, as shown and described.

DESCRIPTION

FIG. 1 is a perspective view of a tool cabinet showing my new design;
FIG. 2 is a front elevational view thereof;
FIG. 3 is a rear elevational view thereof;
FIG. 4 is a left side elevational view thereof;
FIG. 5 is a right side elevational view thereof;
FIG. 6 is a top plan view thereof; and,
FIG. 7 is a bottom plan view thereof.

The phantom lines at the rear edge of the claimed subject matter indicate boundary of claimed design. All other phantom lines are shown in the drawings for illustrative purposes only and form no part of the claimed design.

1 Claim, 6 Drawing Sheets



US D584,903 S

Page 2

U.S. PATENT DOCUMENTS

D431,934 S *	10/2000	Chininis	D6/446	D536,202 S *	2/2007	Mehmen et al.	D6/509
6,176,559 B1	1/2001	Tiramani et al.		D538,997 S *	3/2007	Schlembach	D34/12
D448,168 S	9/2001	Johnston		D547,160 S	7/2007	Hand et al.	
D449,181 S	10/2001	Story et al.		D549,408 S *	8/2007	Lee	D32/25
D453,074 S	1/2002	Johnston		D554,370 S *	11/2007	Hand	D3/297
6,347,847 B1	2/2002	Tiramani et al.		D554,864 S *	11/2007	Hand	D3/297
D455,902 S	4/2002	Wolf		D560,079 S *	1/2008	Mehmen	D6/441
D457,704 S	5/2002	Fiscus et al.		D563,103 S *	3/2008	Hand	D3/297
D461,067 S *	8/2002	Frank et al.	D6/446	D563,119 S *	3/2008	Malley et al.	D6/445
D470,687 S	2/2003	Binse et al.		D563,120 S *	3/2008	Malley et al.	D6/445
D504,260 S *	4/2005	Arceta	D6/510	D566,396 S *	4/2008	Hand	D3/297
D505,237 S	5/2005	Schmidt et al.		D568,078 S *	5/2008	Kohagen et al.	D6/510
D506,090 S	6/2005	Ben-Or		D568,608 S *	5/2008	Hand	D3/297
D514,854 S	2/2006	Schmidt et al.		D573,792 S *	7/2008	Hand	D3/297
D517,805 S	3/2006	Hosking		2002/0030425 A1	3/2002	Tiramani et al.	
D520,264 S *	5/2006	Mehmen et al.	D6/441	2002/0074905 A1	6/2002	Tiramani et al.	
D520,784 S	5/2006	Schmidt et al.		2006/0103278 A1 *	5/2006	Bousquet	312/332.1
7,048,347 B1 *	5/2006	Liu	312/332.1	2007/0063624 A1 *	3/2007	Liao	312/282
D526,782 S	8/2006	Hosking		2007/0228903 A1 *	10/2007	Liu	312/280
				2007/0274042 A1 *	11/2007	Jackson et al.	361/695

* cited by examiner

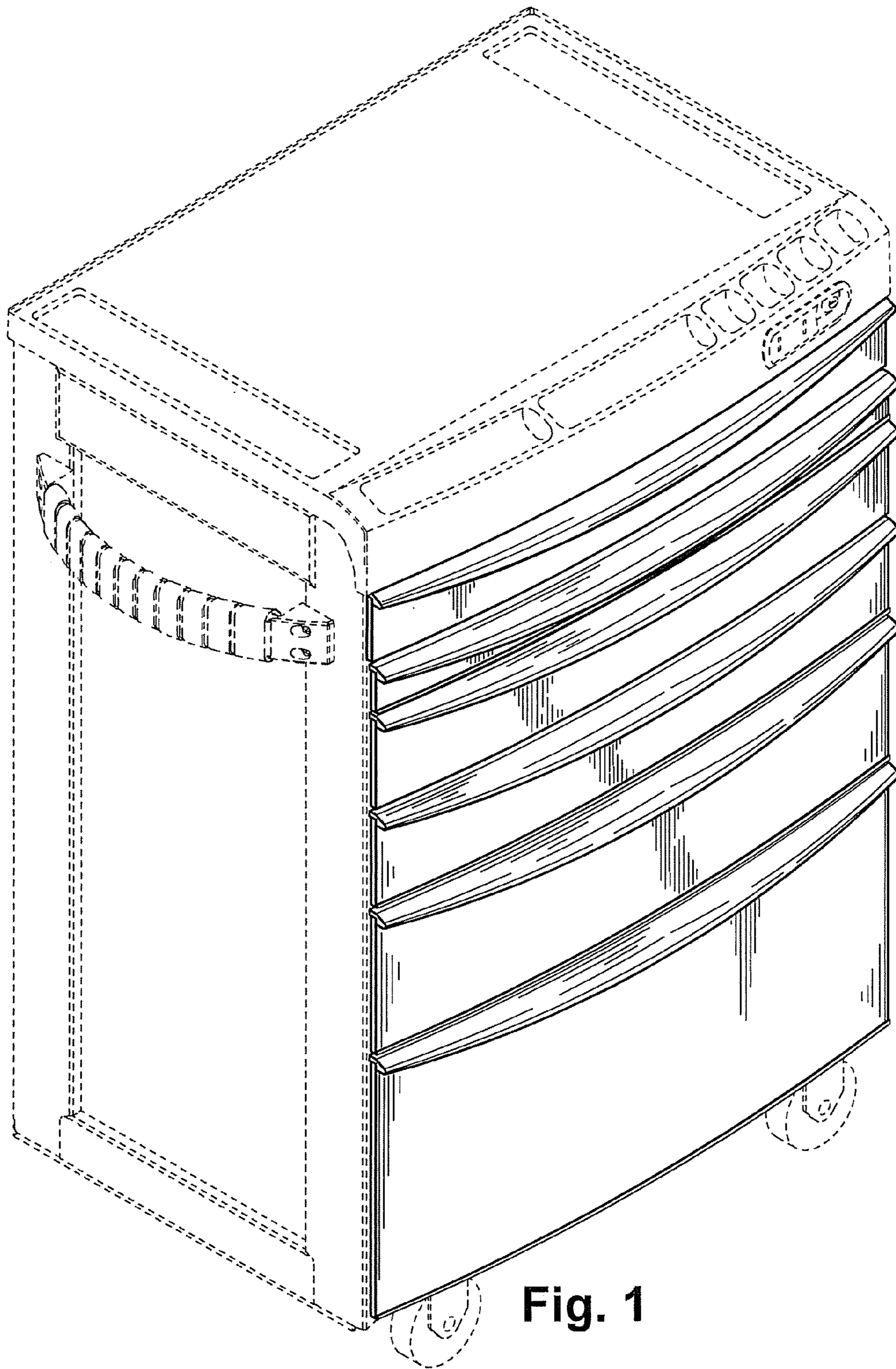


Fig. 1

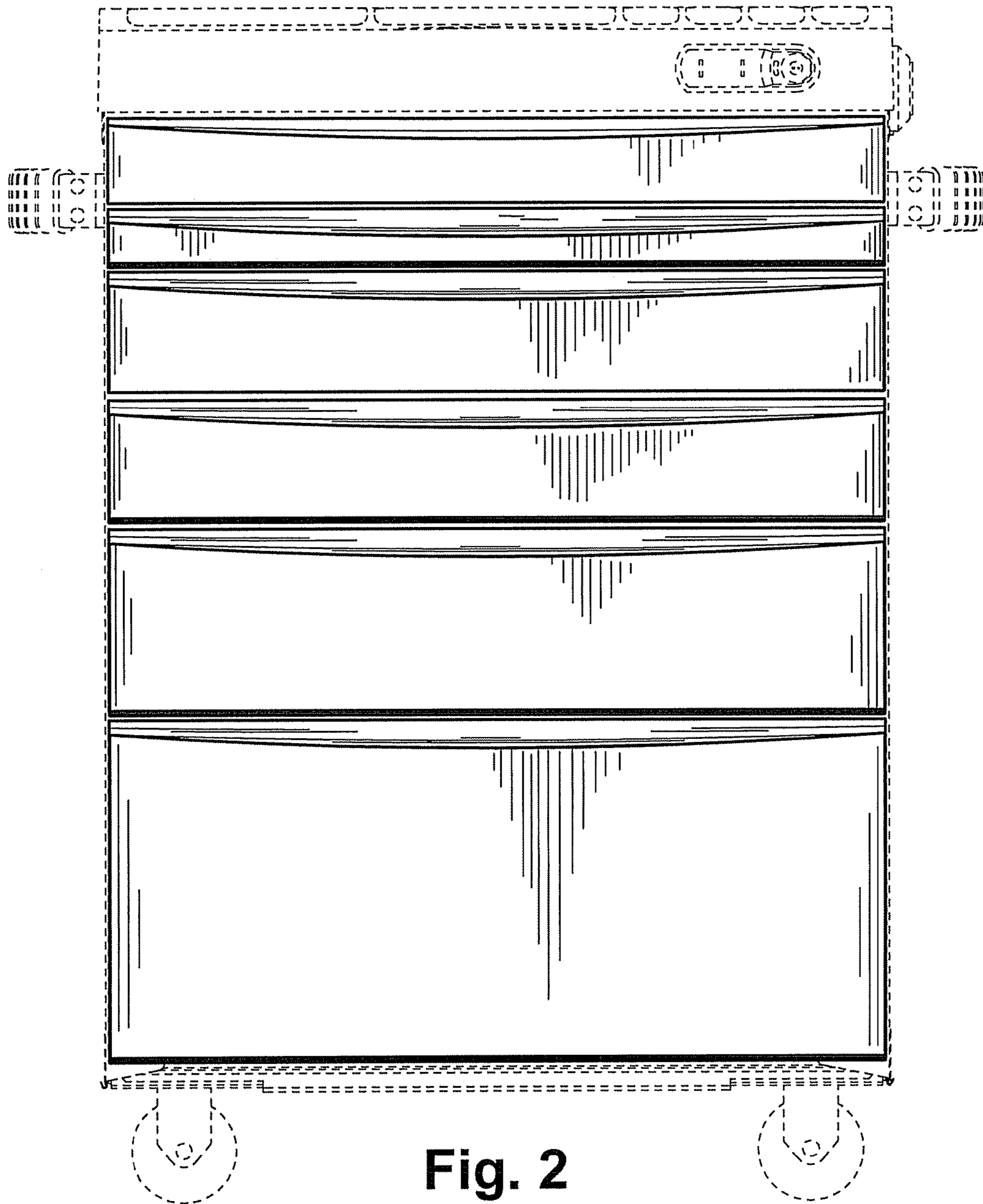


Fig. 2

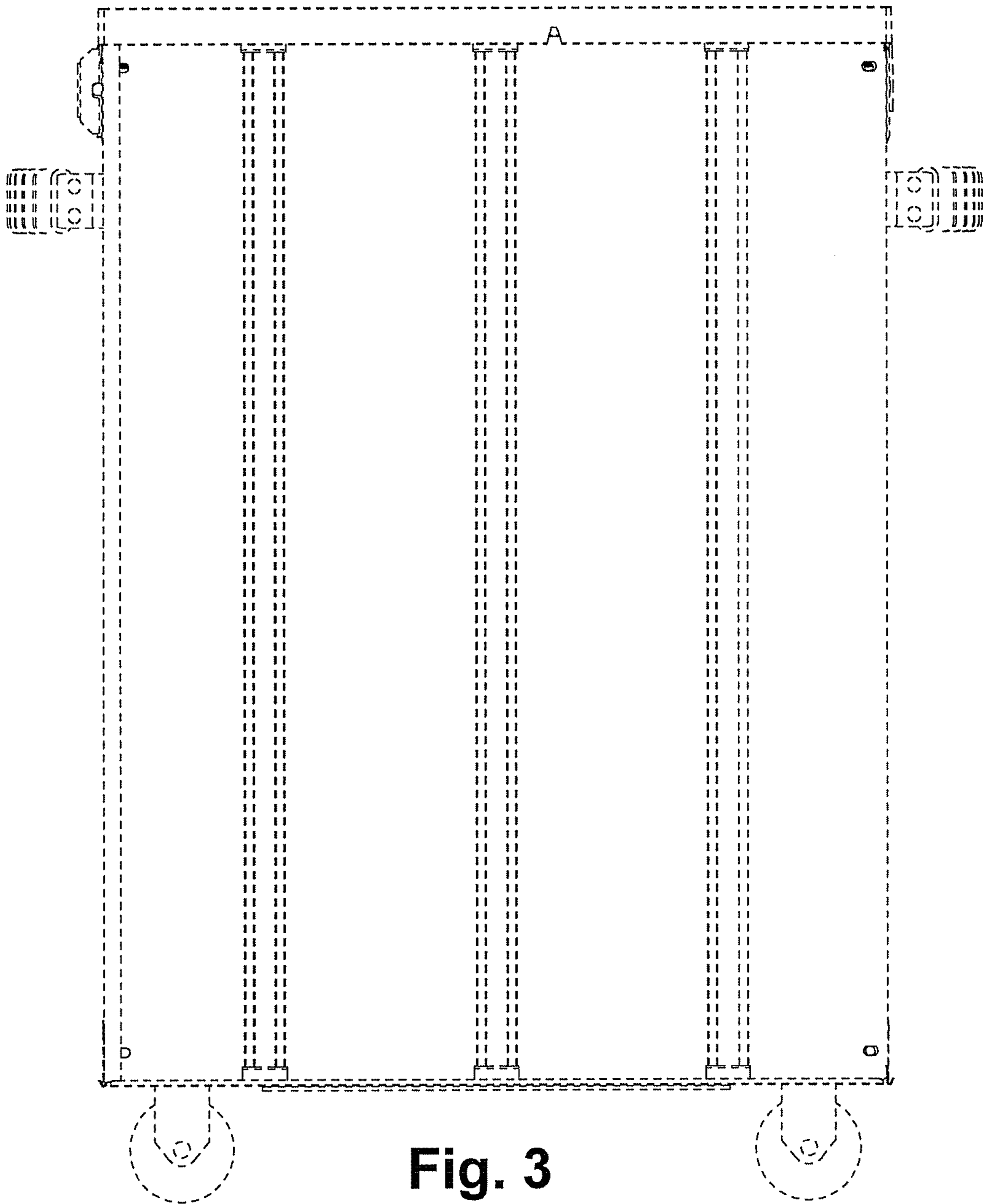


Fig. 3

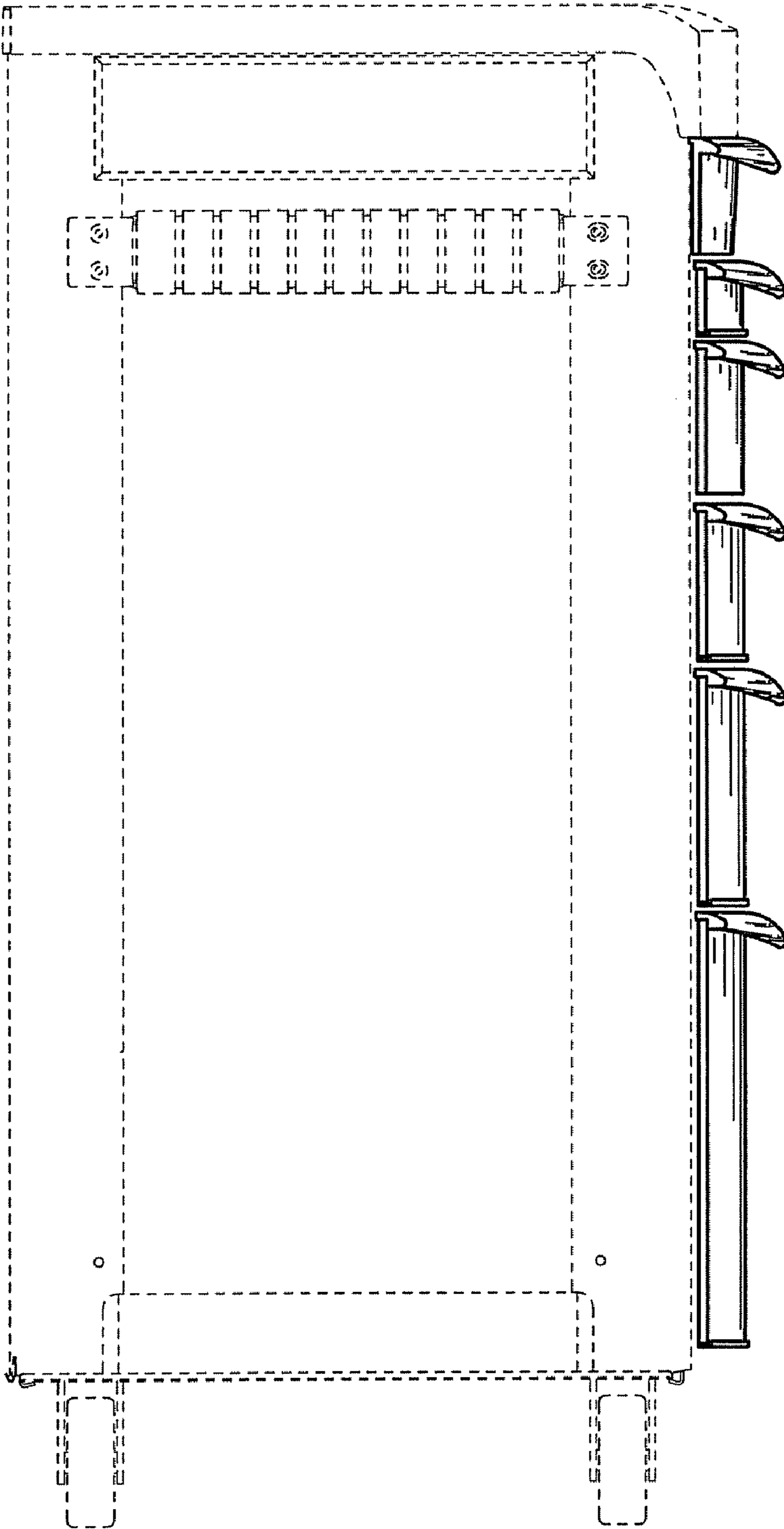


Fig. 4

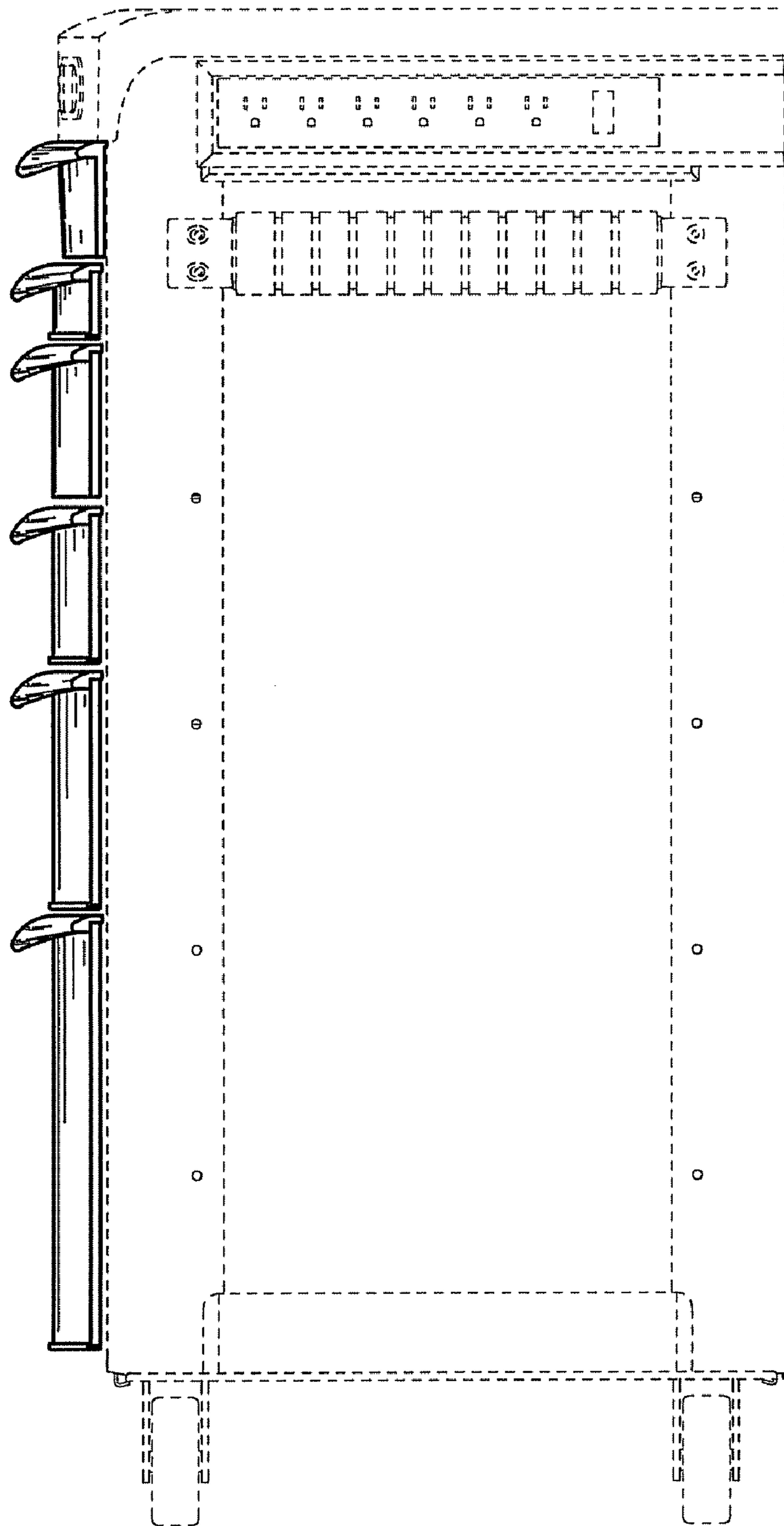


Fig. 5

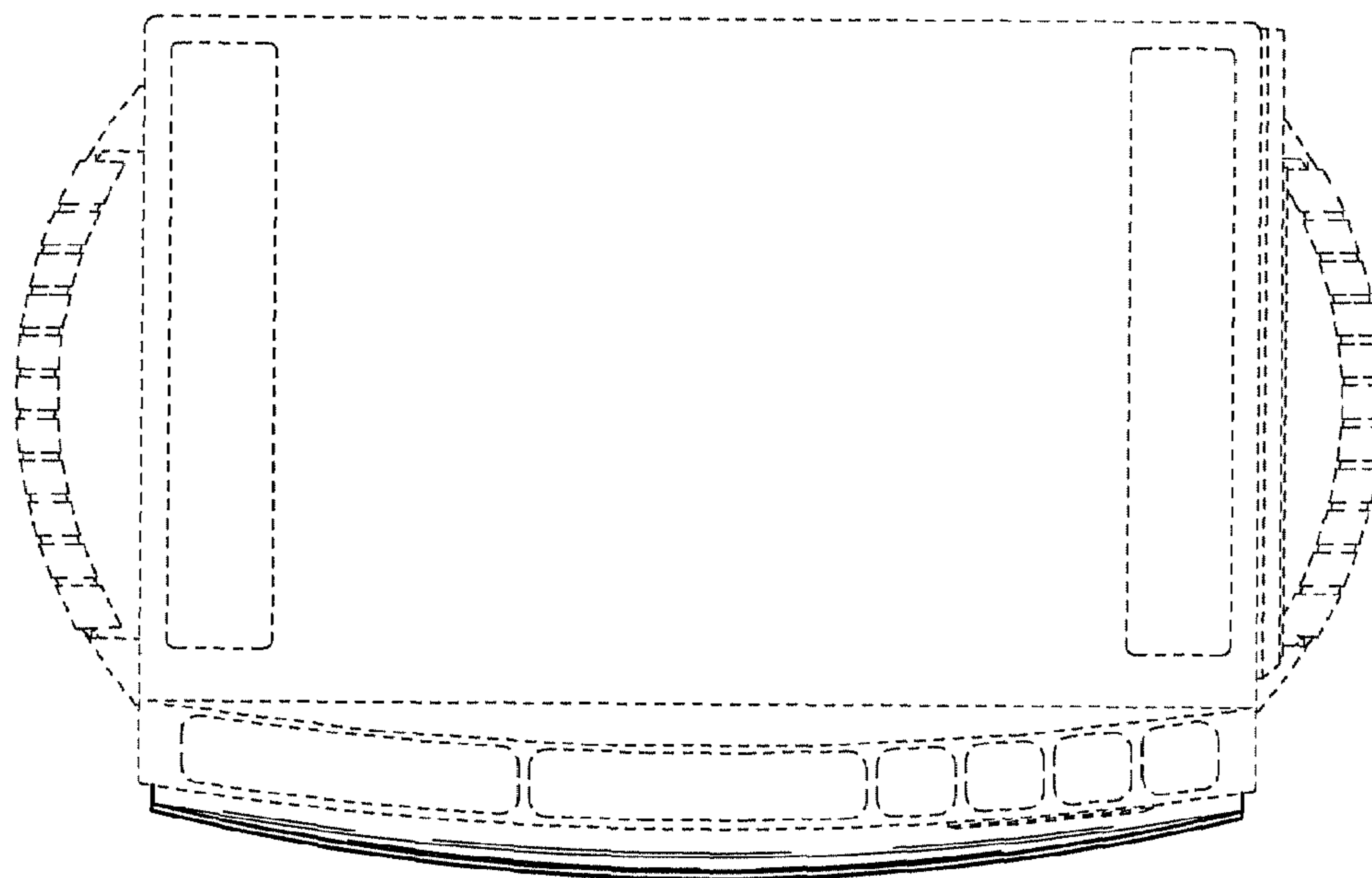


Fig. 6

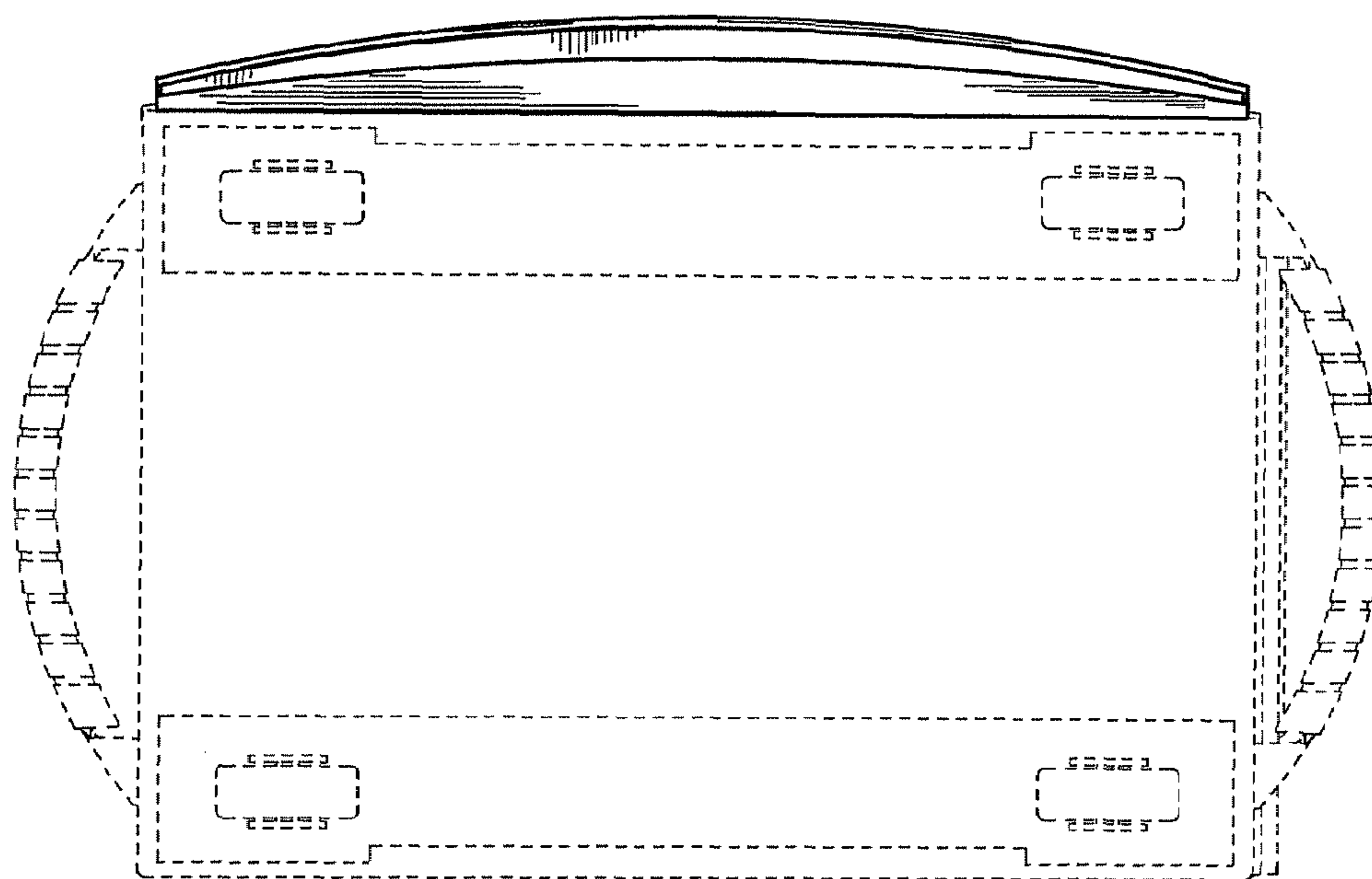


Fig. 7