



US00D584900S

(12) **United States Design Patent**  
**Hackethal et al.**

(10) **Patent No.:** **US D584,900 S**

(45) **Date of Patent:** **\*\* \*Jan. 20, 2009**

(54) **ARMCHAIR**

(75) Inventors: **Dorotheé Hackethal**, Köln (DE); **André Wilps**, Pulheim (DE)

(73) Assignee: **lc Lead Communications GmbH & Co. KG**, Cologne (DE)

(\* ) Notice: This patent is subject to a terminal disclaimer.

(\*\*) Term: **14 Years**

(21) Appl. No.: **29/275,339**

(22) Filed: **Dec. 21, 2006**

(30) **Foreign Application Priority Data**

Sep. 13, 2006 (DE) ..... 4 06 04 724

(51) **LOC (9) Cl.** ..... **06-01**

(52) **U.S. Cl.** ..... **D6/334**

(58) **Field of Classification Search** ..... D6/334,  
D6/335, 361, 367, 369, 370, 371, 372, 374,  
D6/375, 381, 491, 500-502; 297/445.1,  
297/446.1, 118, 119, 232, 233, 440.1, 440.14,  
297/440.15; 5/12.1, 12.2

See application file for complete search history.

(56) **References Cited**

**U.S. PATENT DOCUMENTS**

D234,731 S \* 4/1975 McDonald ..... D6/371

D342,837 S \* 1/1994 Forcolini ..... D6/334  
D410,800 S \* 6/1999 Gomez ..... D6/369  
7,020,911 B2 \* 4/2006 Oldham ..... 5/12.2  
D538,054 S \* 3/2007 Lissoni ..... D6/334  
D559,003 S \* 1/2008 Lissoni ..... D6/381  
D562,022 S \* 2/2008 Hackethal et al. .... D6/381  
D562,582 S \* 2/2008 Hackethal et al. .... D6/381

\* cited by examiner

*Primary Examiner*—Sandra Snapp

(74) *Attorney, Agent, or Firm*—Richard M. Klein; Fay Sharpe LLP

(57) **CLAIM**

The ornamental design for an armchair, as shown and described.

**DESCRIPTION**

FIG. 1 is a perspective view of an armchair;

FIG. 2 is a front plan view of the armchair of FIG. 1;

FIG. 3 is a right side view of the armchair of FIG. 1;

FIG. 4 is a left side view of the armchair of FIG. 1;

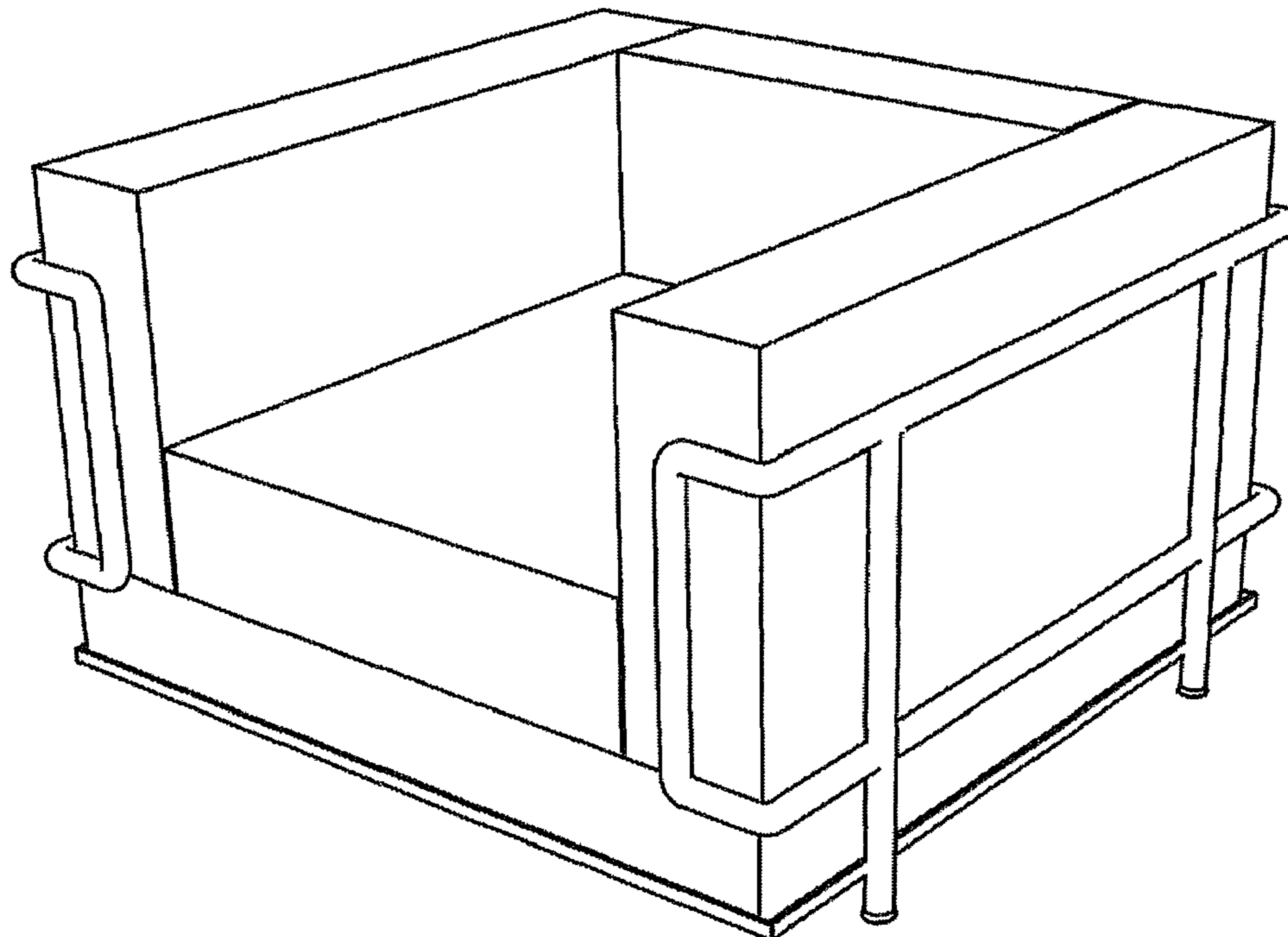
FIG. 5 is a back view of the armchair of FIG. 1;

FIG. 6 is a top view of the armchair of FIG. 1; and,

FIG. 7 is a bottom view of the armchair of FIG. 1.

The broken lines shown in the Figures are for the purpose of illustrating the article and form no part of the claimed design.

**1 Claim, 5 Drawing Sheets**



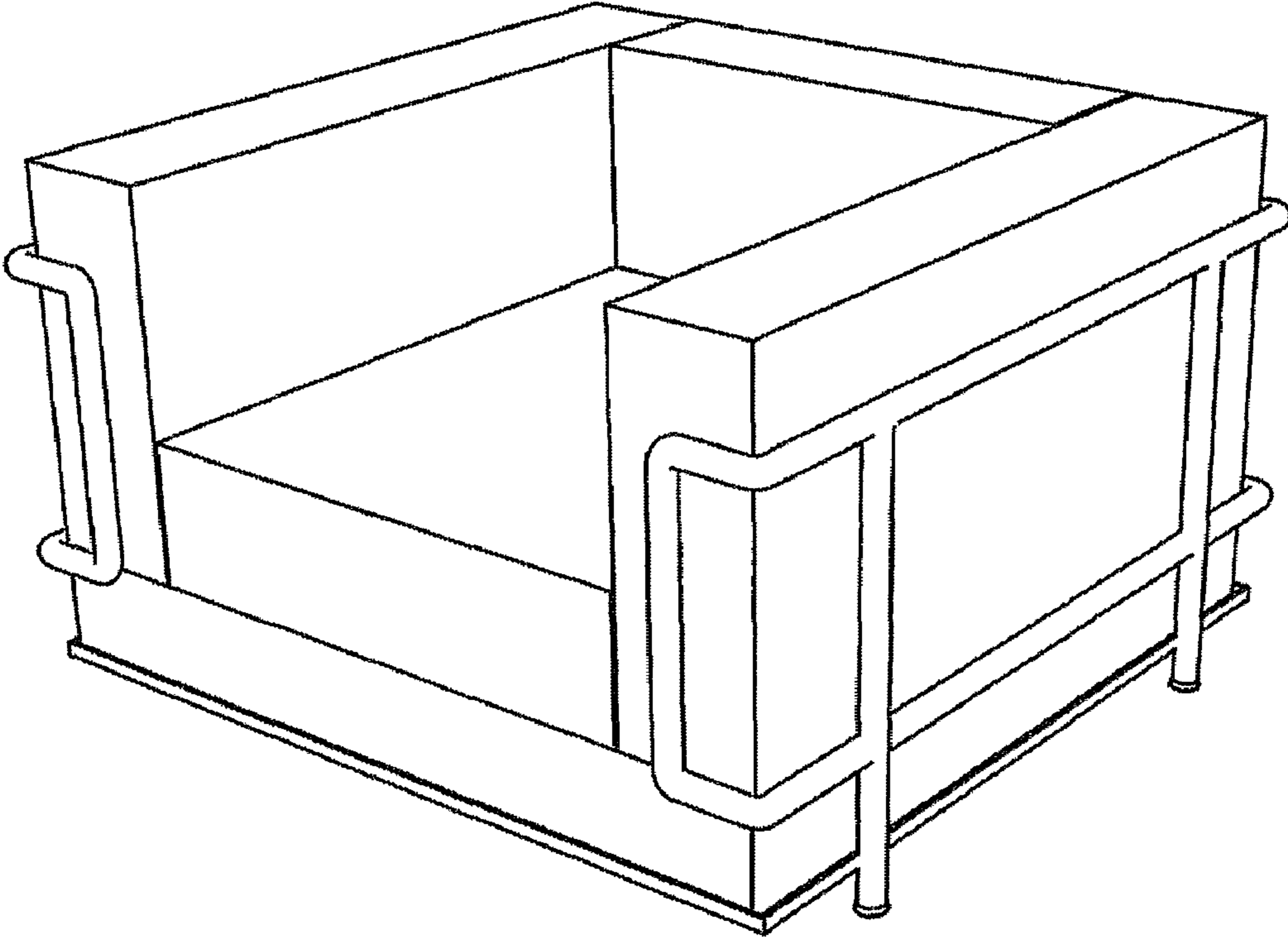


Fig. 1

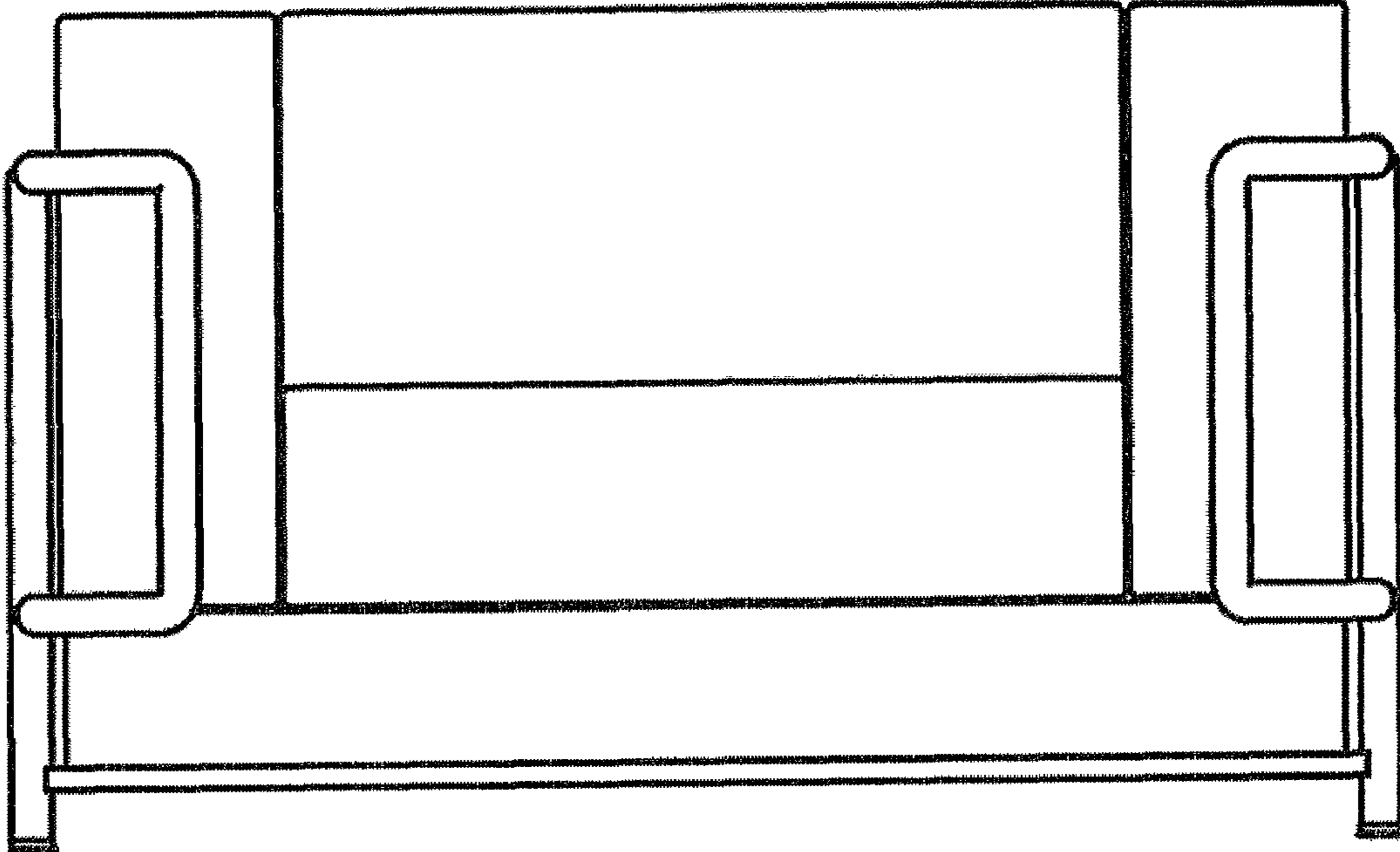


Fig. 2

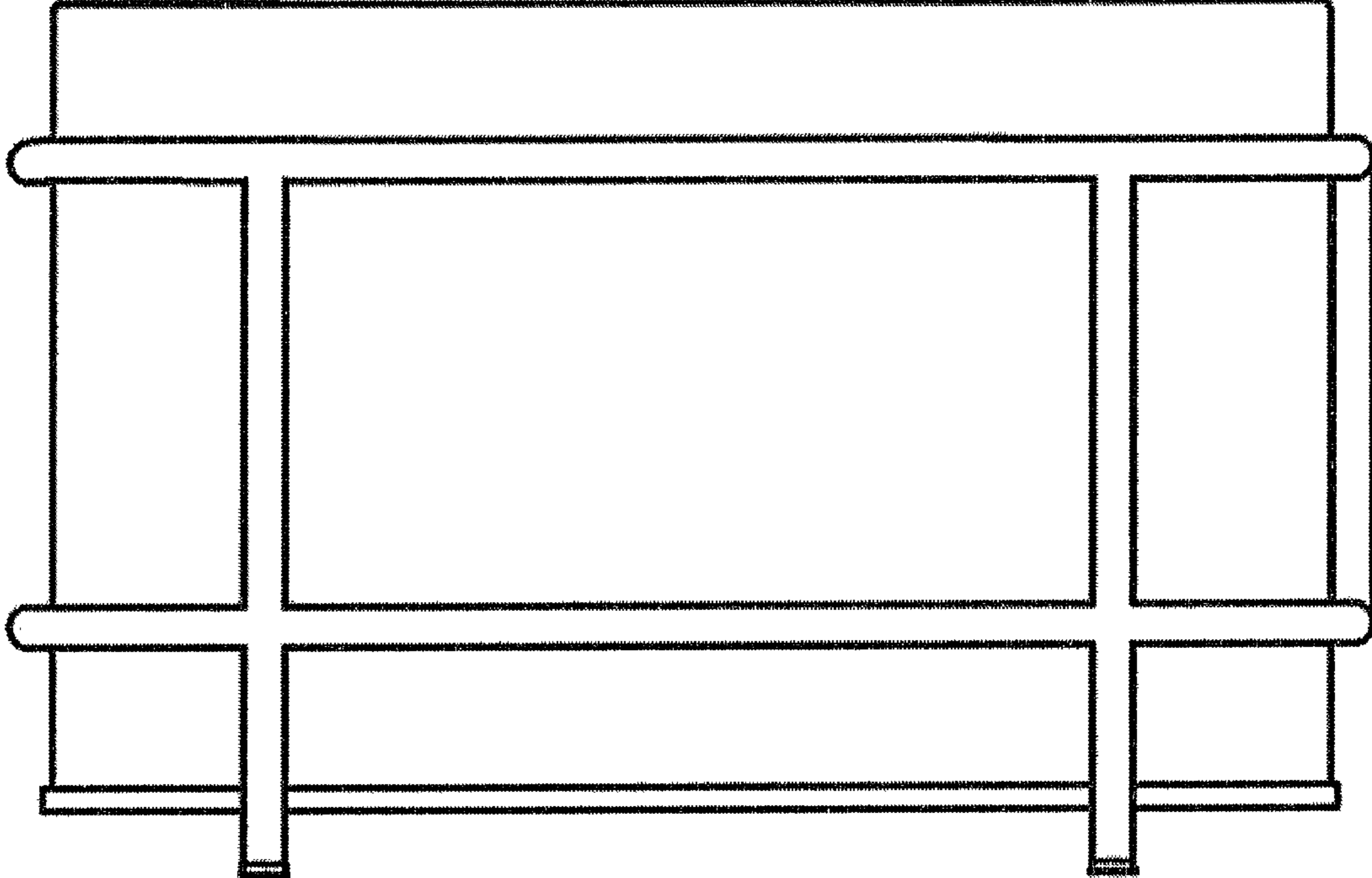


Fig. 3

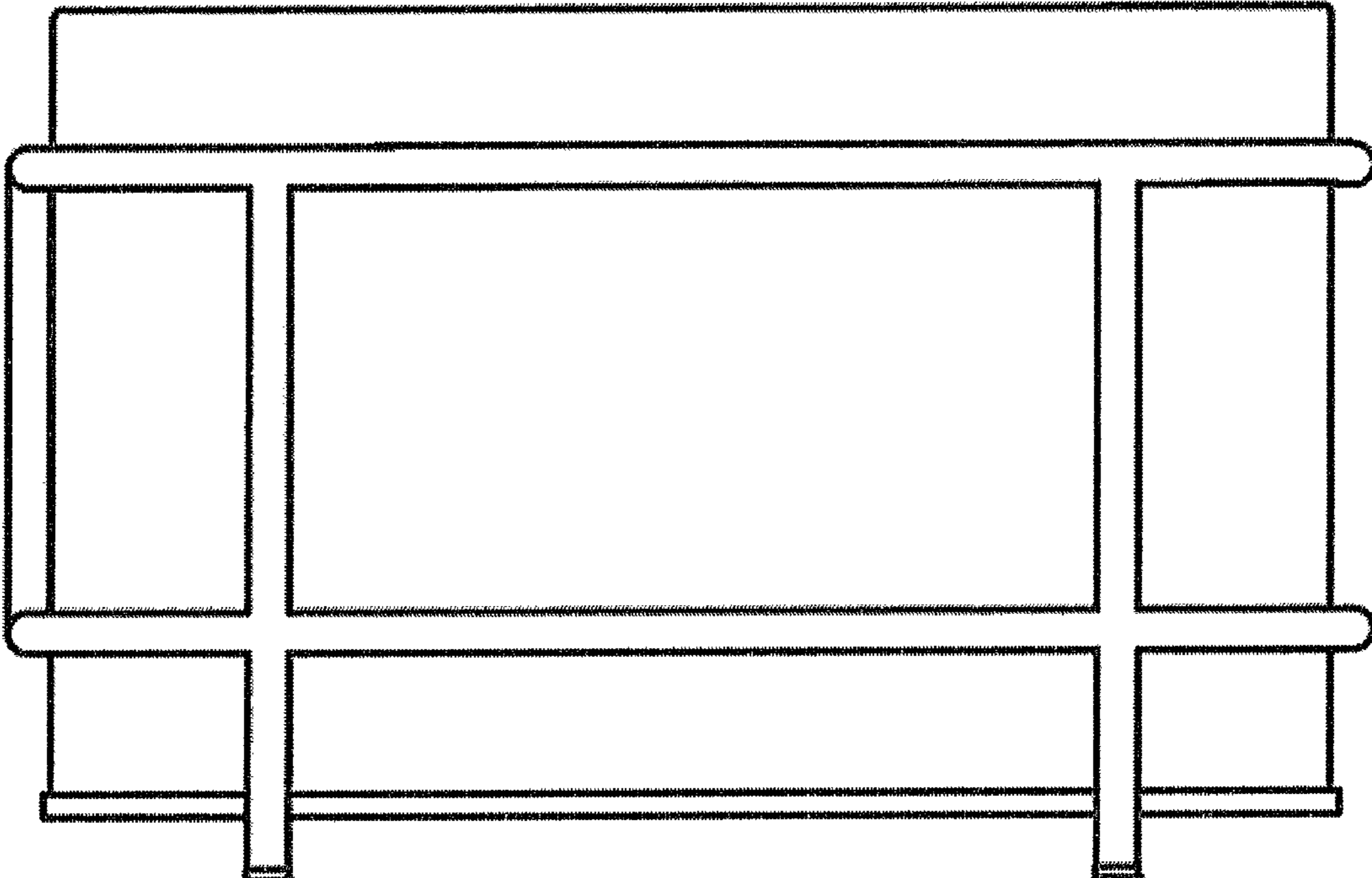


Fig. 4

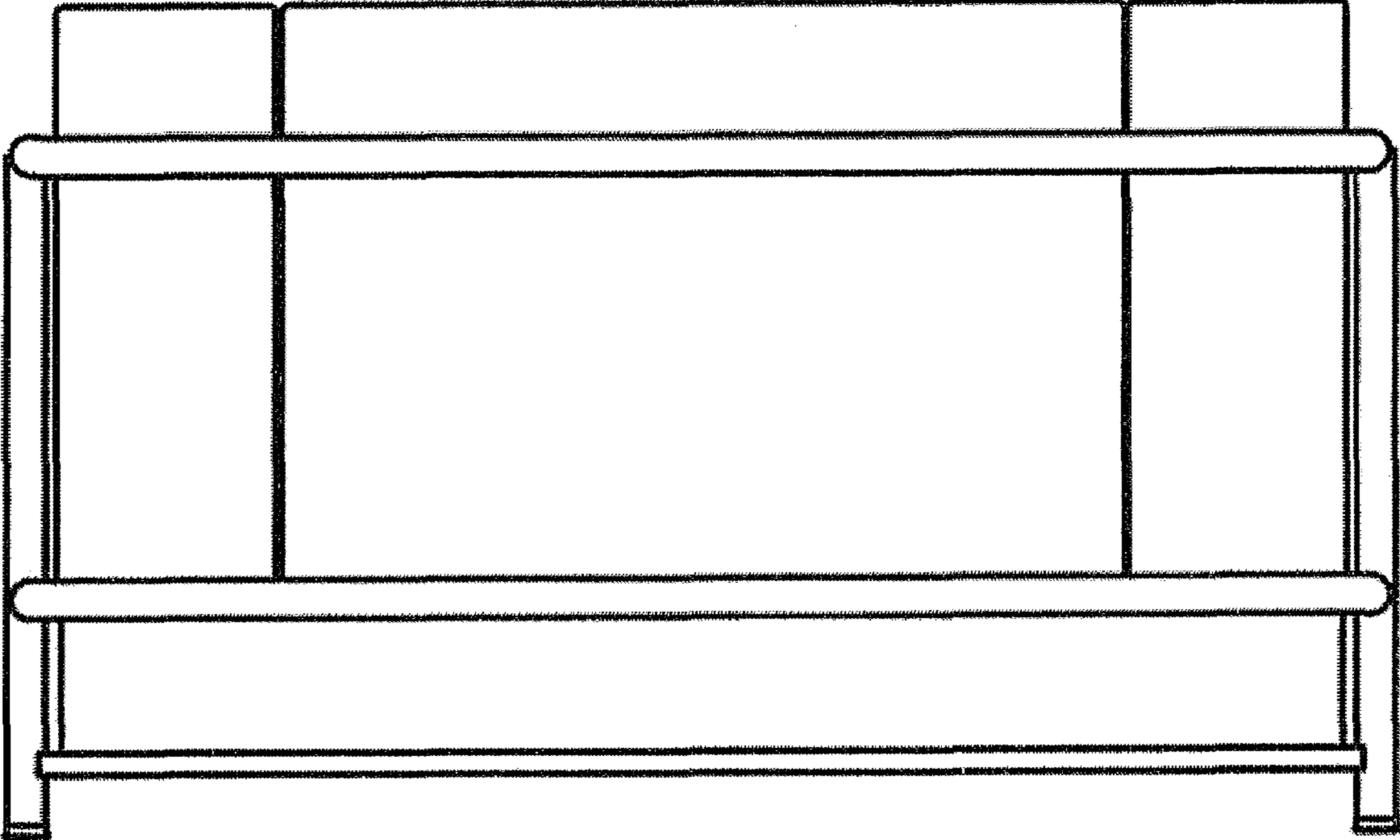


Fig. 5

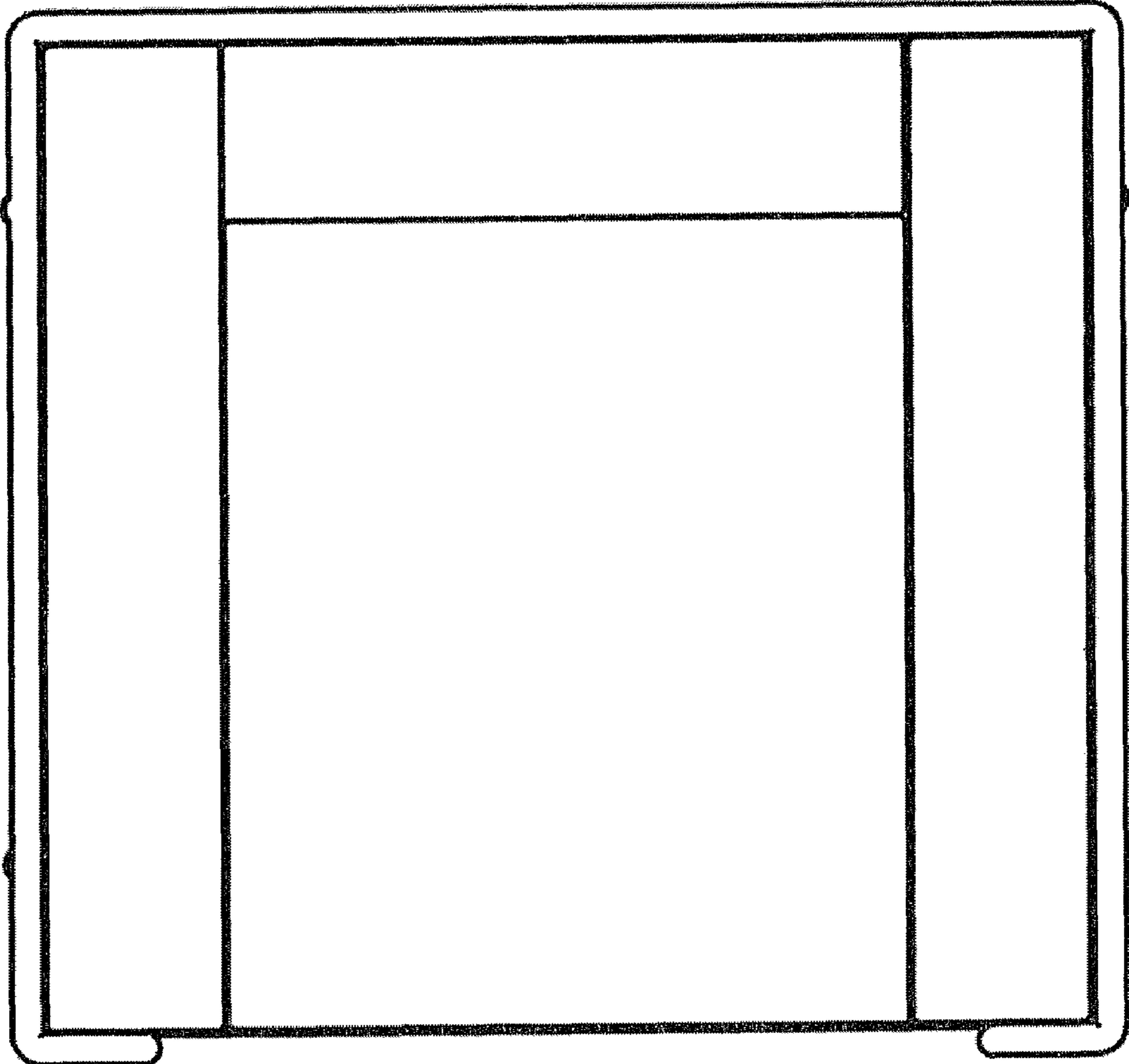


Fig. 6

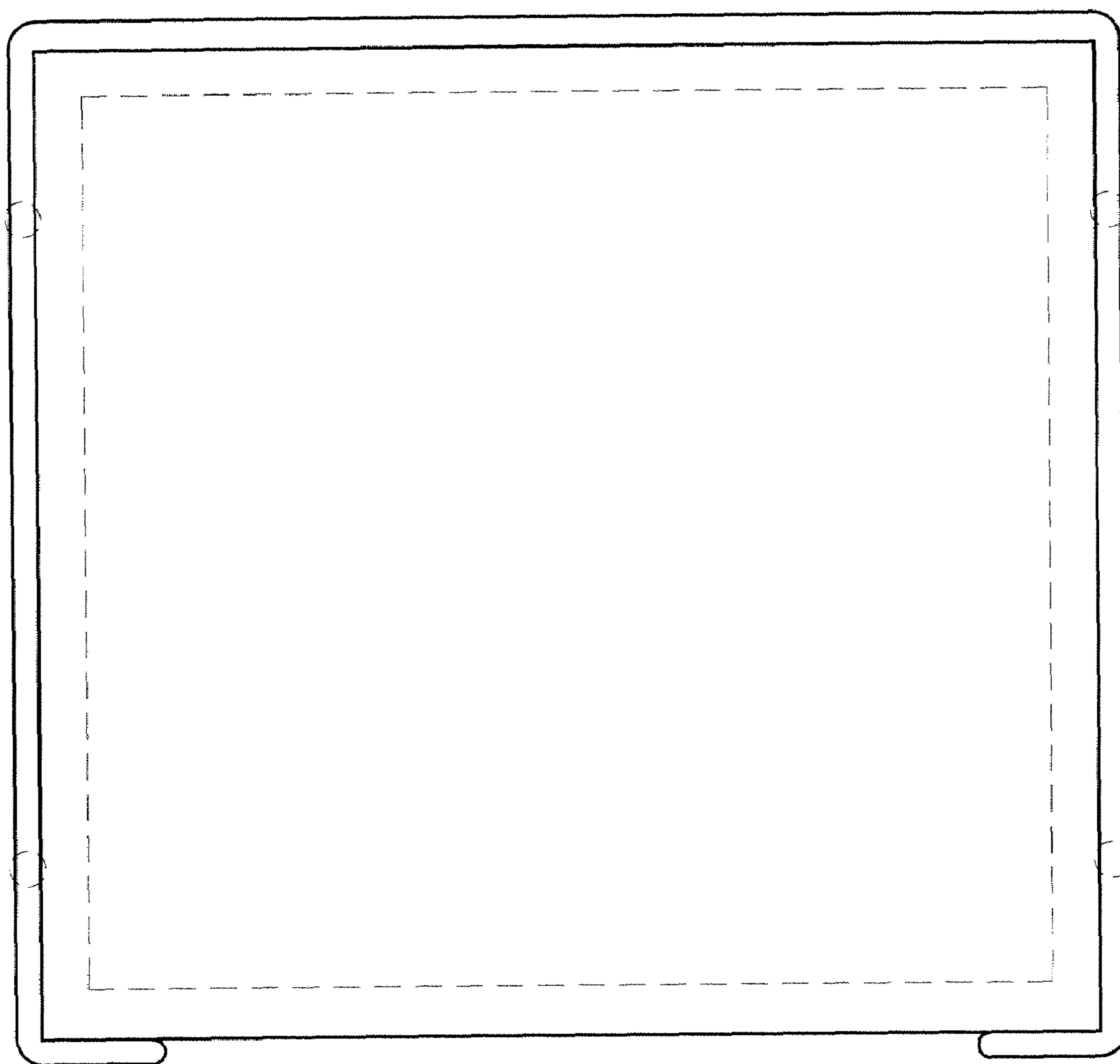


Fig. 7