



US00D584897S

(12) **United States Design Patent**  
**Belley**

(10) **Patent No.:** **US D584,897 S**  
(45) **Date of Patent:** **\*\* Jan. 20, 2009**

(54) **PAINT BRUSH**

(75) Inventor: **Pascal Belley, Québec (CA)**

(73) Assignee: **Conception Technologique Paabs Inc. (CA)**

(\*\*) Term: **14 Years**

(21) Appl. No.: **29/242,003**

(22) Filed: **Nov. 4, 2005**

**Related U.S. Application Data**

(63) Continuation-in-part of application No. 29/230,890, filed on Aug. 19, 2005.

(51) **LOC (9) Cl.** ..... **04-04**

(52) **U.S. Cl.** ..... **D4/135**

(58) **Field of Classification Search** ..... D4/135,  
D4/132, 138; 15/159.1, 160, 168, 169, 166,  
15/191.1, 192-195, 207.2, DIG. 5; 132/317,  
132/320

See application file for complete search history.

(56) **References Cited**

**U.S. PATENT DOCUMENTS**

- 168,363 A \* 10/1875 Baker ..... 15/191.1
- D117,933 S \* 12/1939 Manchester ..... D4/118
- 2,674,759 A \* 4/1954 Solberg ..... 15/193
- D246,747 S \* 12/1977 Brandt et al. .... D4/135
- 4,590,637 A \* 5/1986 Marino ..... 15/160
- 5,315,733 A \* 5/1994 Ledingham ..... 15/168
- 5,507,063 A \* 4/1996 Hirsch ..... 15/160

- D380,615 S \* 7/1997 Roberts ..... D4/135
- D421,846 S \* 3/2000 Choe ..... D4/135
- D495,145 S \* 8/2004 Gladden ..... D4/138
- D562,566 S \* 2/2008 Mink ..... D4/135
- 2006/0000042 A1 \* 1/2006 Rekart ..... 15/160

**OTHER PUBLICATIONS**

Canadian Industrial Design, Registration No. 99970.  
European Community Design, No. 000217765-0001.

\* cited by examiner

*Primary Examiner*—T. Chase Nelson

*Assistant Examiner*—Barbara Fox

(74) *Attorney, Agent, or Firm*—Saidman DesignLaw Group

(57) **CLAIM**

The ornamental design for a paint brush, as shown and described.

**DESCRIPTION**

FIG. 1 is a perspective view of the paint brush showing my new design;

FIG. 2 is a front view thereof, the rear view being a mirror image of the front view;

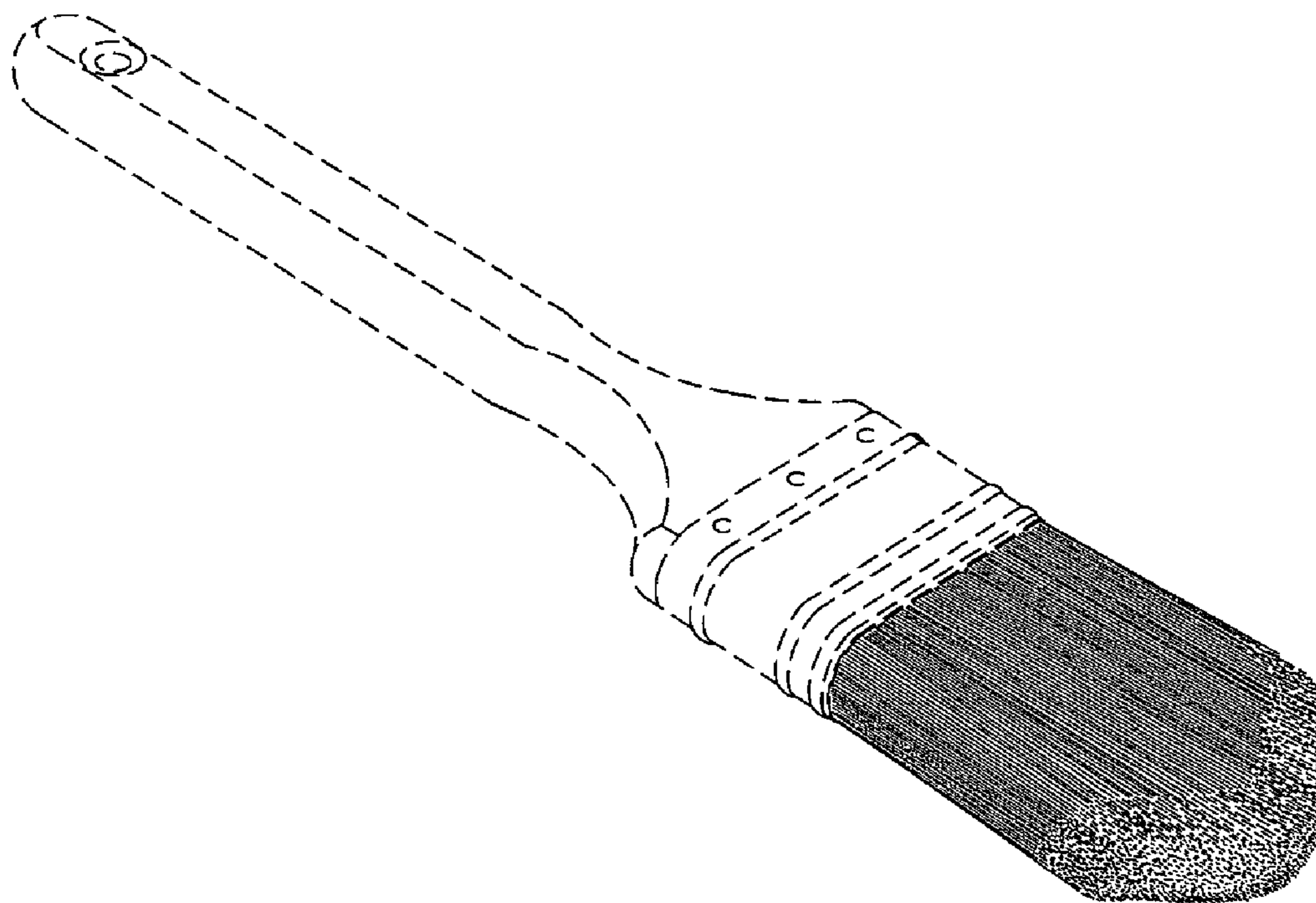
FIG. 3 is a left side view thereof, the right side view being a mirror image of the left side view;

FIG. 4 is a top view thereof; and,

FIG. 5 is a bottom view thereof.

The dashed line showing of structural lines is included for the purpose of illustrating non-claimed subject matter and forms no part of the claimed design.

**1 Claim, 3 Drawing Sheets**



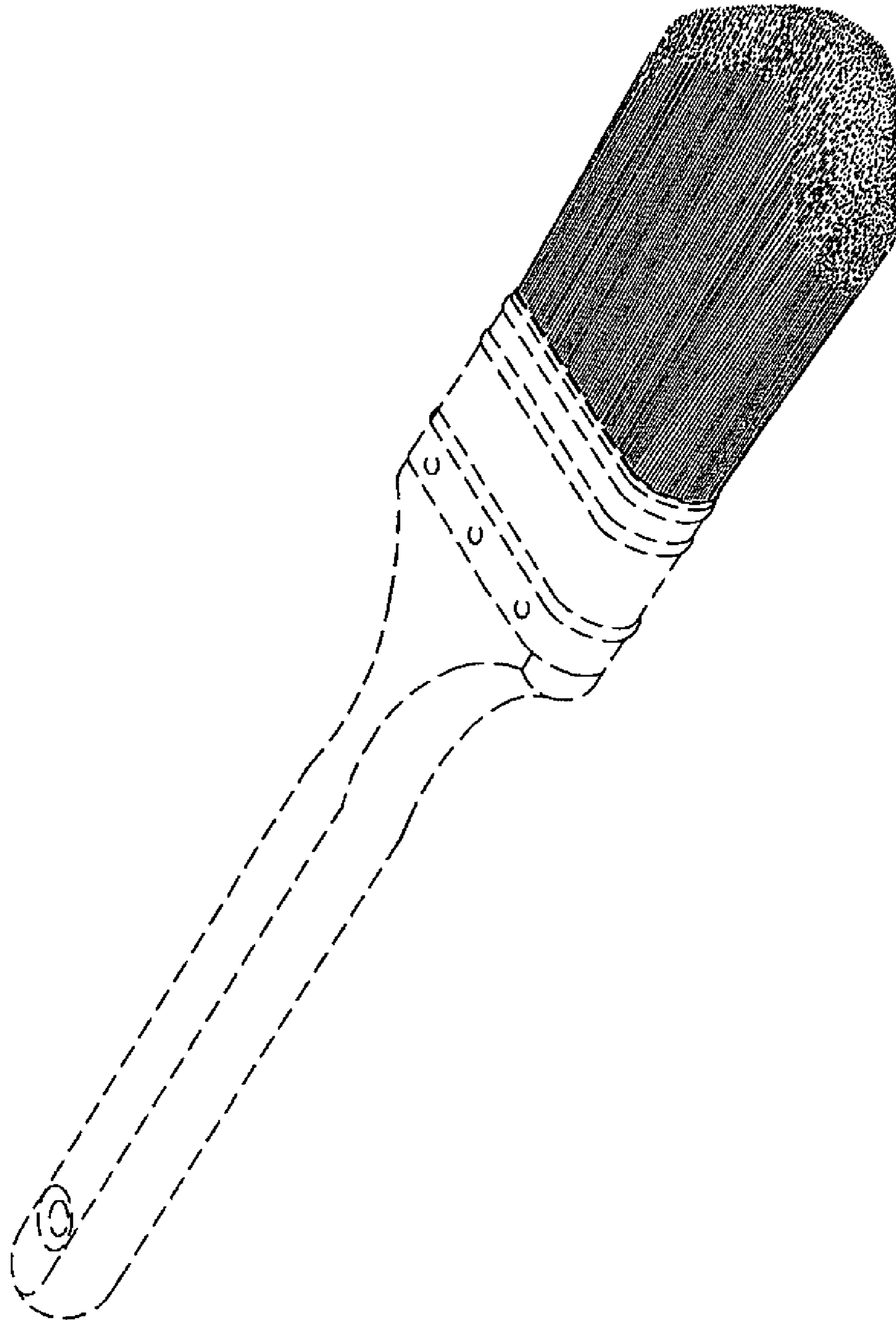


FIG-1

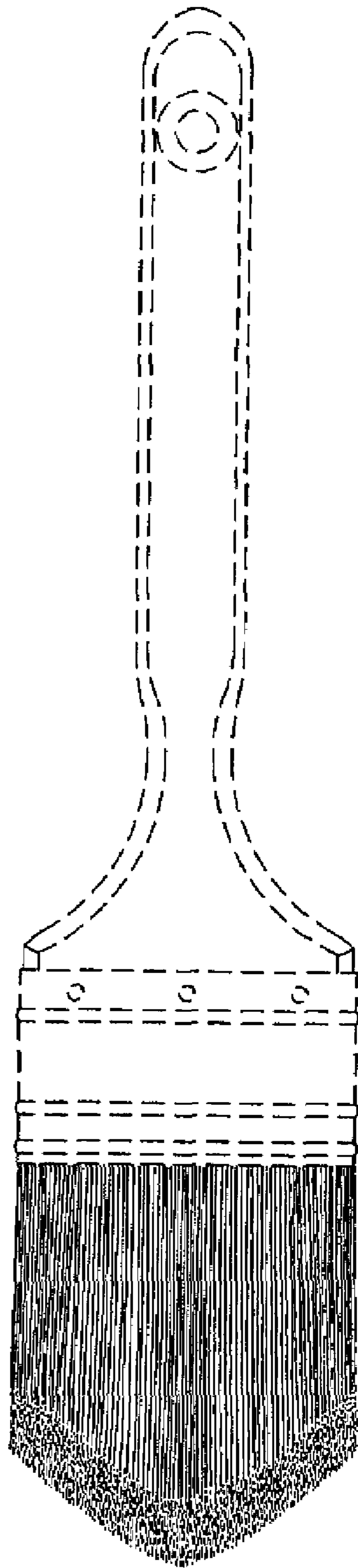


Fig-2

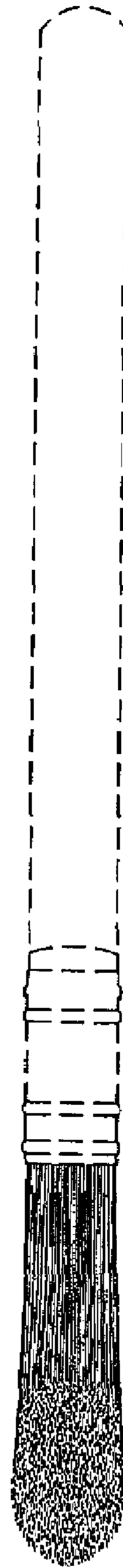


Fig-3

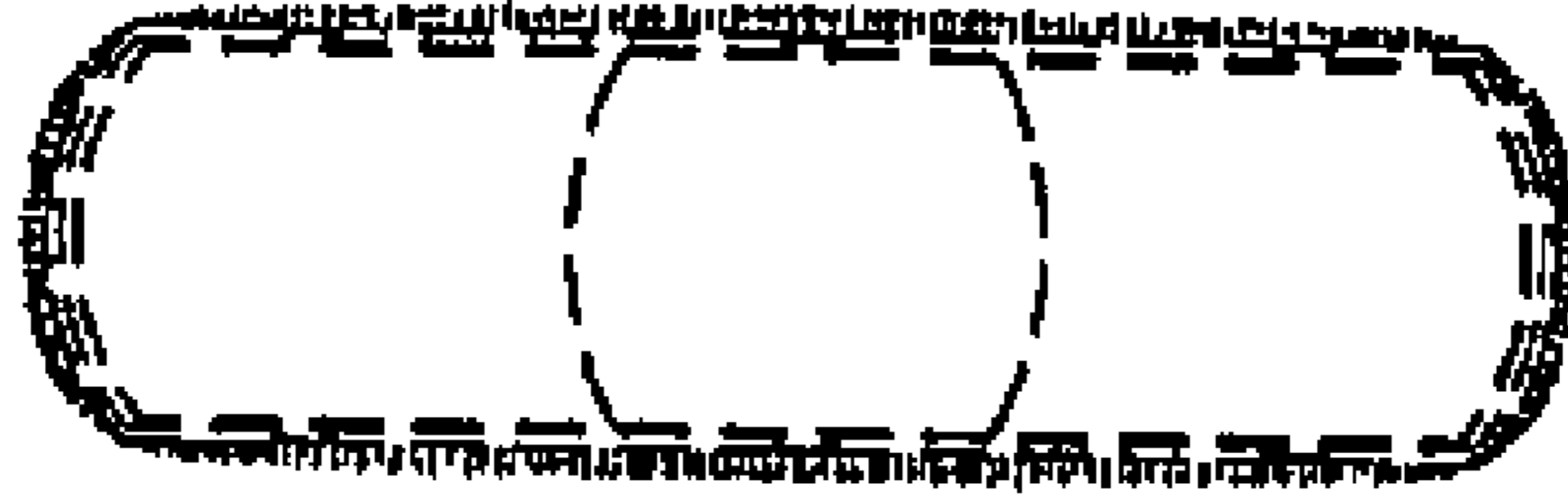


FIG-4

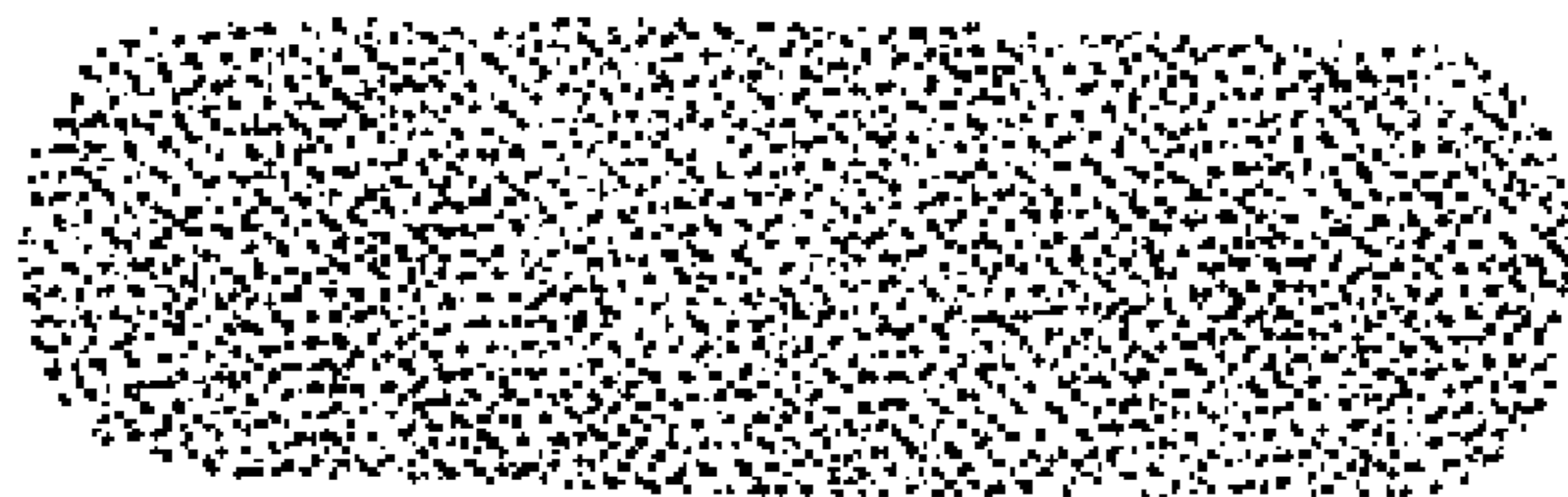


FIG-5