



US00D584895S

(12) **United States Design Patent**
Holzner et al.

(10) **Patent No.:** **US D584,895 S**
(45) **Date of Patent:** **** Jan. 20, 2009**

(54) **ZIPPERED WALLET**

(75) Inventors: **Norbert Holzner**, Matran (CH);
Claus-Christian Eckhardt, Hannover
(DE)

(73) Assignee: **Omega SA (Omega AG) (Omega Ltd.)**,
Biel/Bienne (CH)

(**) Term: **14 Years**

(21) Appl. No.: **29/304,818**

(22) Filed: **Mar. 7, 2008**

(30) **Foreign Application Priority Data**

Sep. 7, 2007 (CH) DM/069 269

(51) **LOC (9) Cl.** **03-01**

(52) **U.S. Cl.** **D3/247**

(58) **Field of Classification Search** D3/207,
D3/215, 217, 247-252; 150/100, 103-104,
150/107-110, 118-119, 131-132, 145, 147
See application file for complete search history.

(56) **References Cited**

U.S. PATENT DOCUMENTS

1,683,996 A * 9/1928 Snow 150/147
2,477,840 A * 8/1949 Vasilas 150/136
D410,774 S * 6/1999 Inbert D3/250
D477,135 S * 7/2003 Fu D3/247

D527,899 S * 9/2006 Morehead D3/247
D553,856 S * 10/2007 Shum D3/247

* cited by examiner

Primary Examiner—Holly H Baynham

(74) *Attorney, Agent, or Firm*—Collen IP; Donald J. Ranft

(57) **CLAIM**

The ornamental design for a zippered wallet, as shown and described.

DESCRIPTION

FIG. 1 is a front closed view of our new, original and ornamental design for a zippered wallet;

FIG. 2 is a rear view thereof;

FIG. 3 is a top view thereof;

FIG. 4 is a bottom view thereof;

FIG. 5 is a left side view thereof;

FIG. 6 is a right side view thereof;

FIG. 7 is a rear perspective view thereof;

FIG. 8 is an open exterior view thereof;

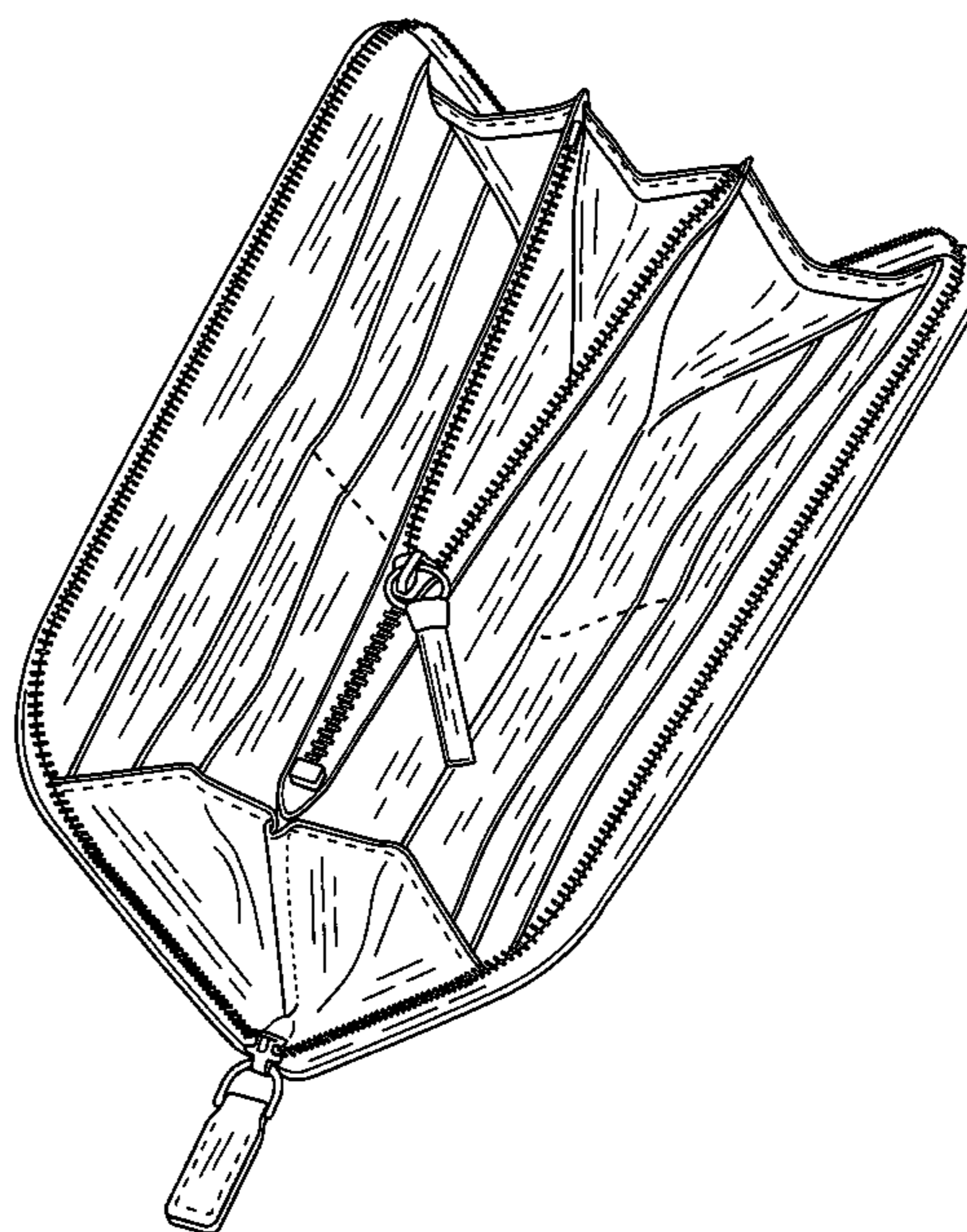
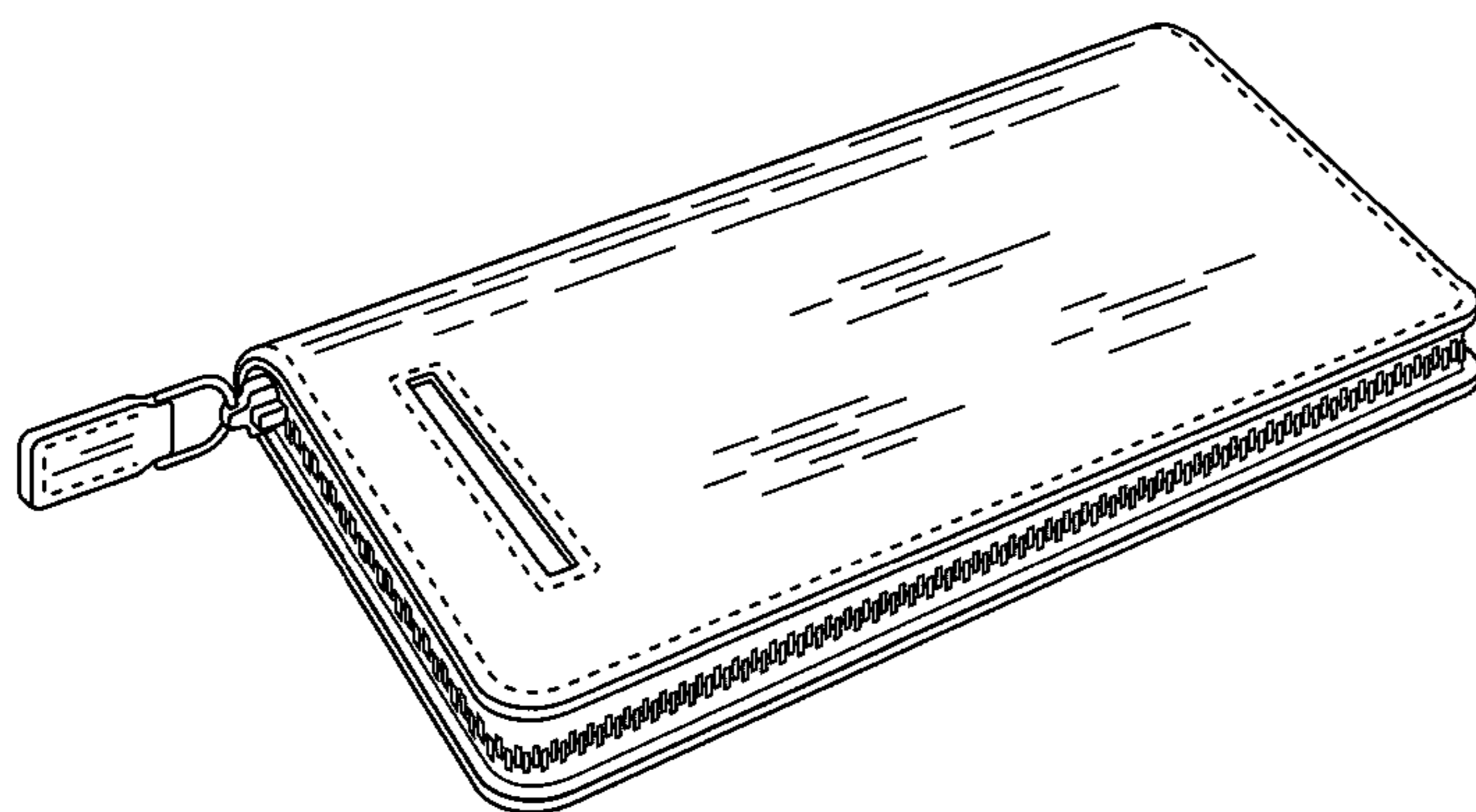
FIG. 9 is an open interior view thereof;

FIG. 10 is a left side view of FIG. 9 thereof;

FIG. 11 is a right side view of FIG. 9 thereof; and,

FIG. 12 is a bottom left open perspective view thereof.

1 Claim, 9 Drawing Sheets



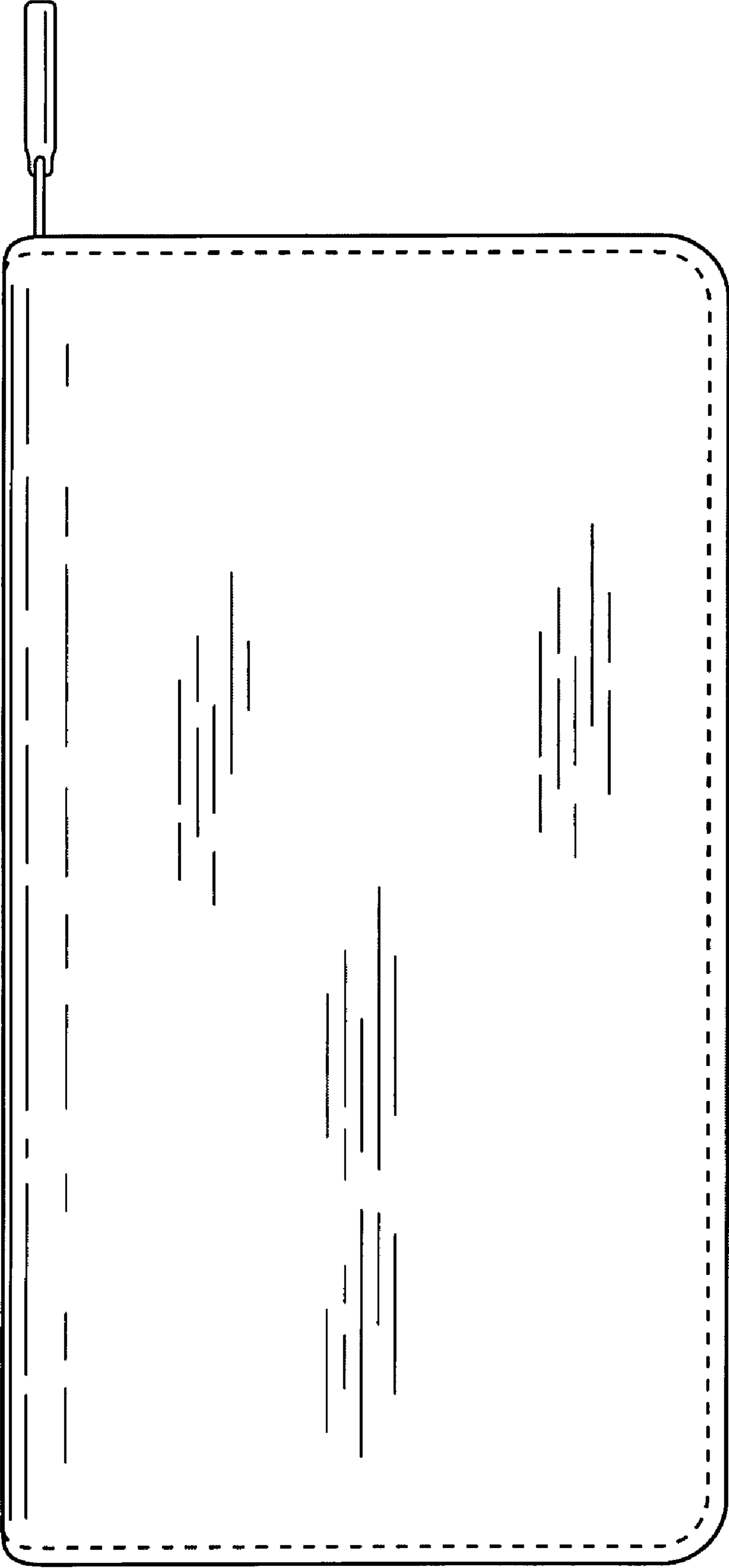


Fig. 1



Fig. 2

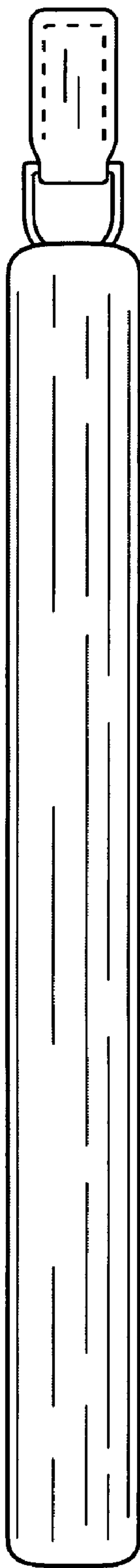


Fig. 3

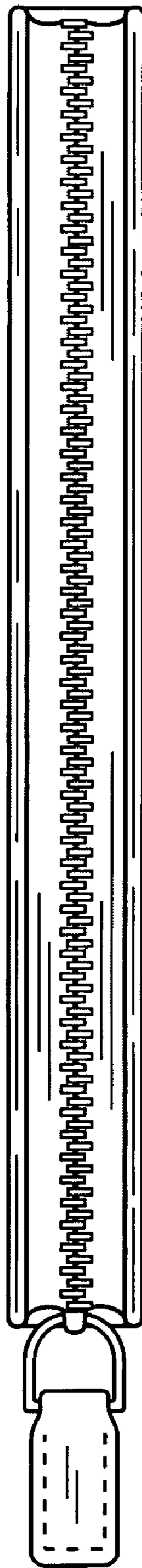


Fig. 4

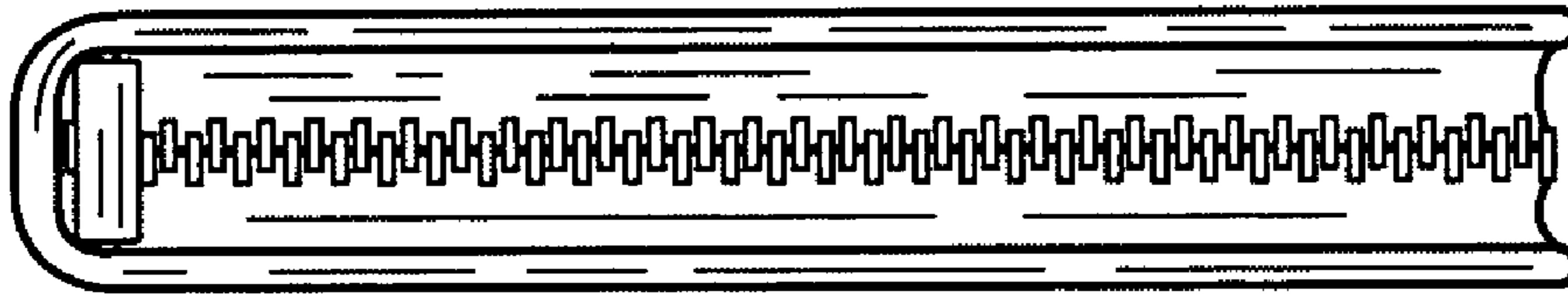


Fig. 6



Fig. 5

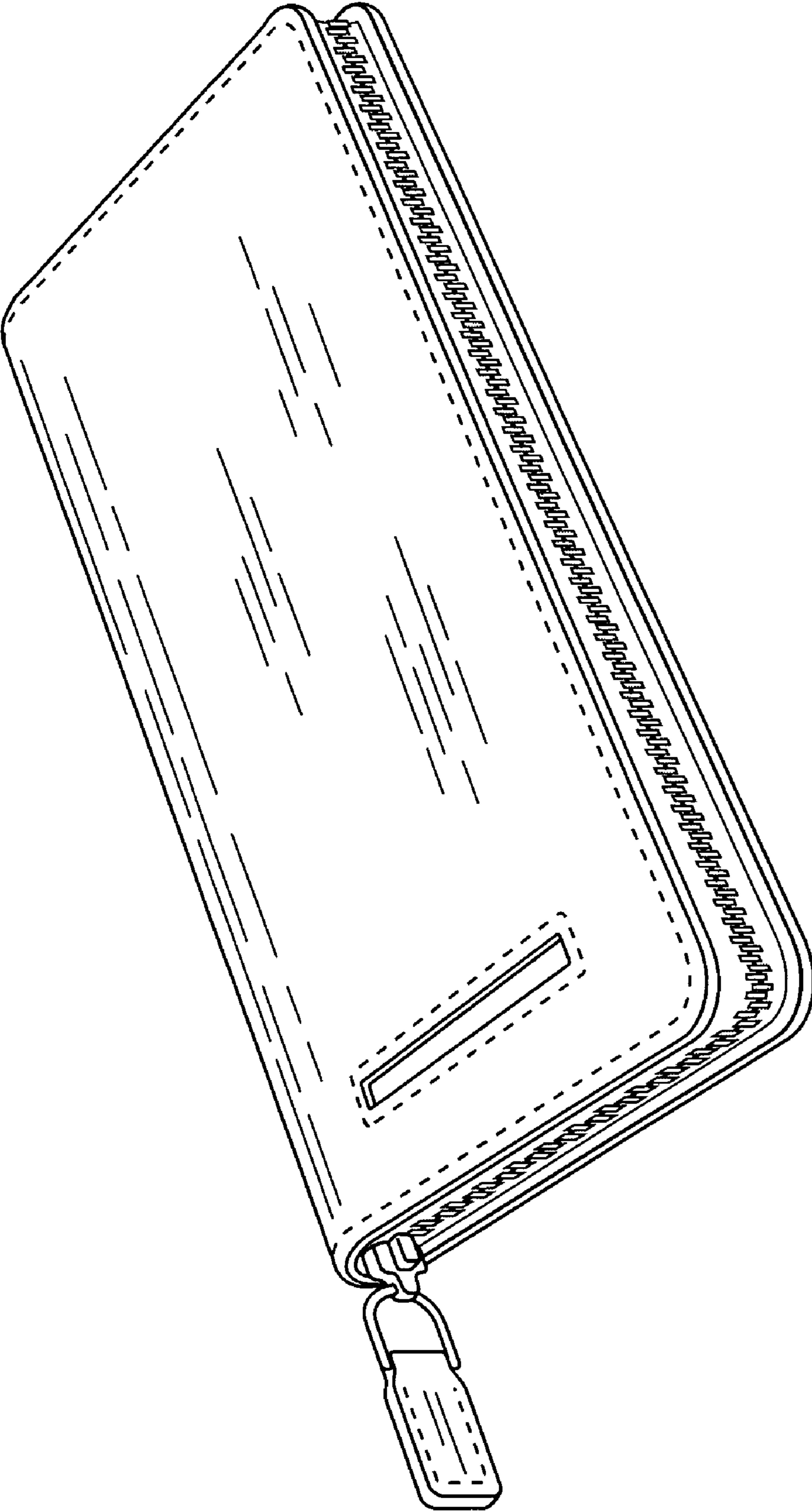


Fig. 7

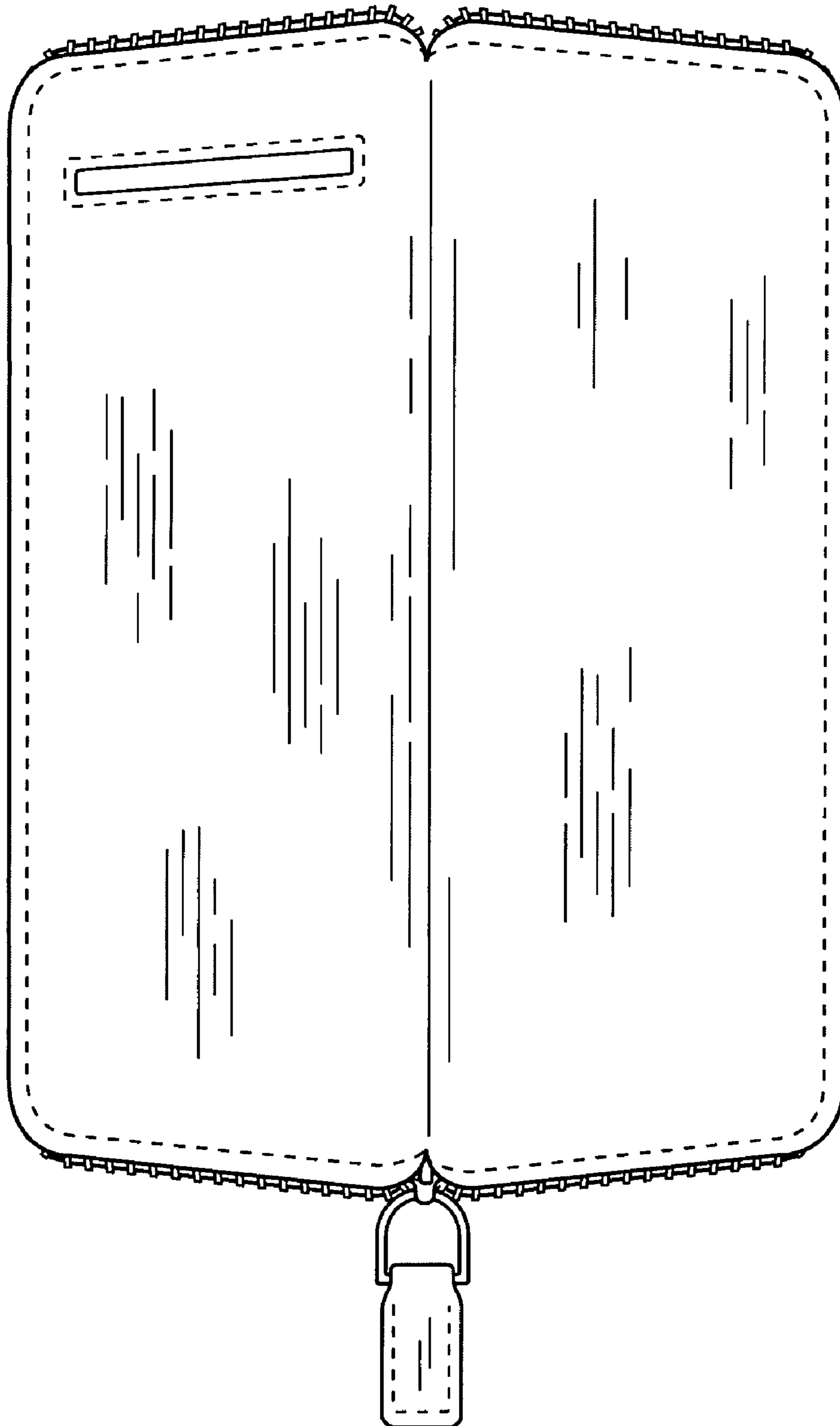


Fig. 8

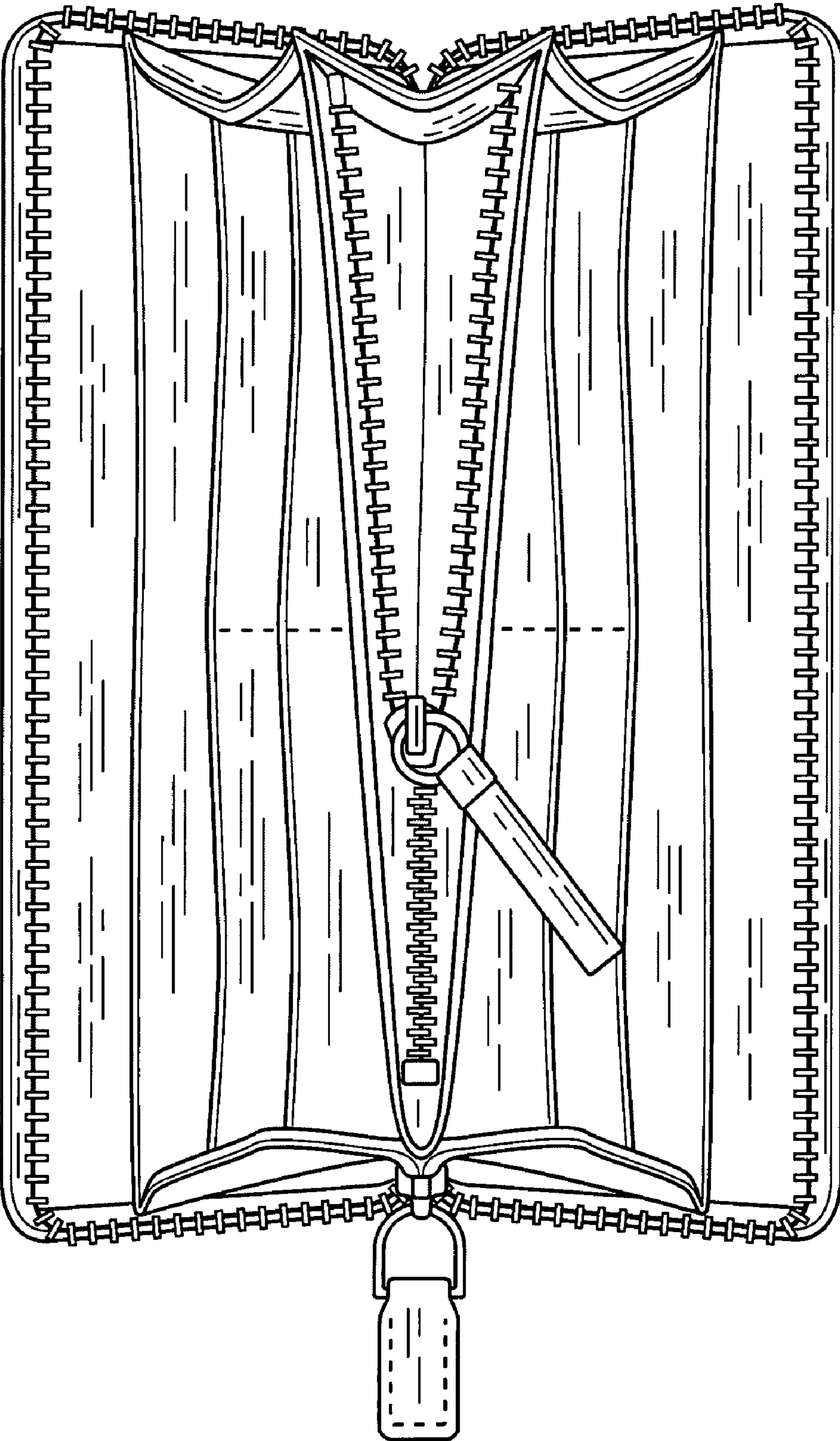


Fig. 9

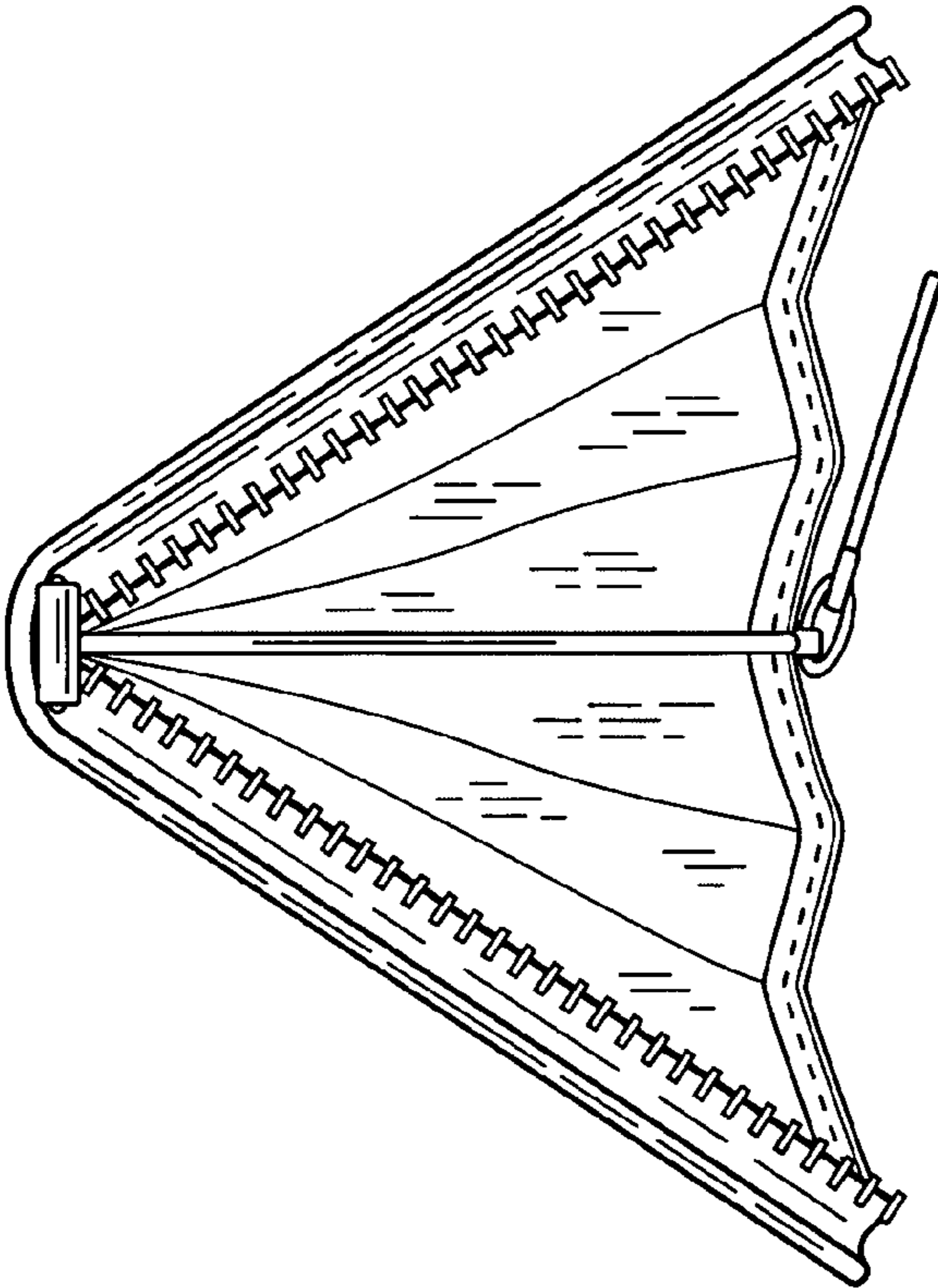


Fig. 10

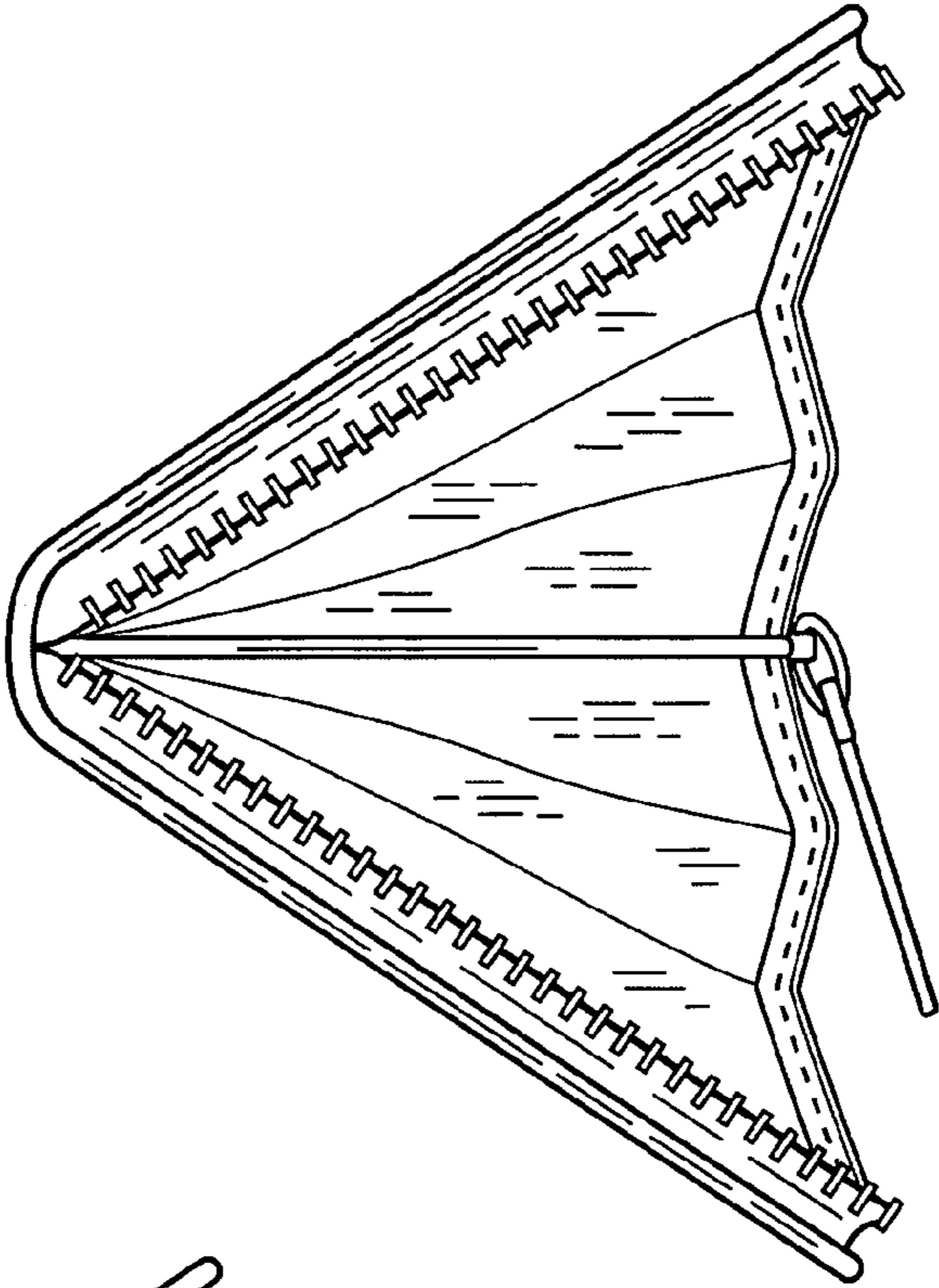


Fig. 11

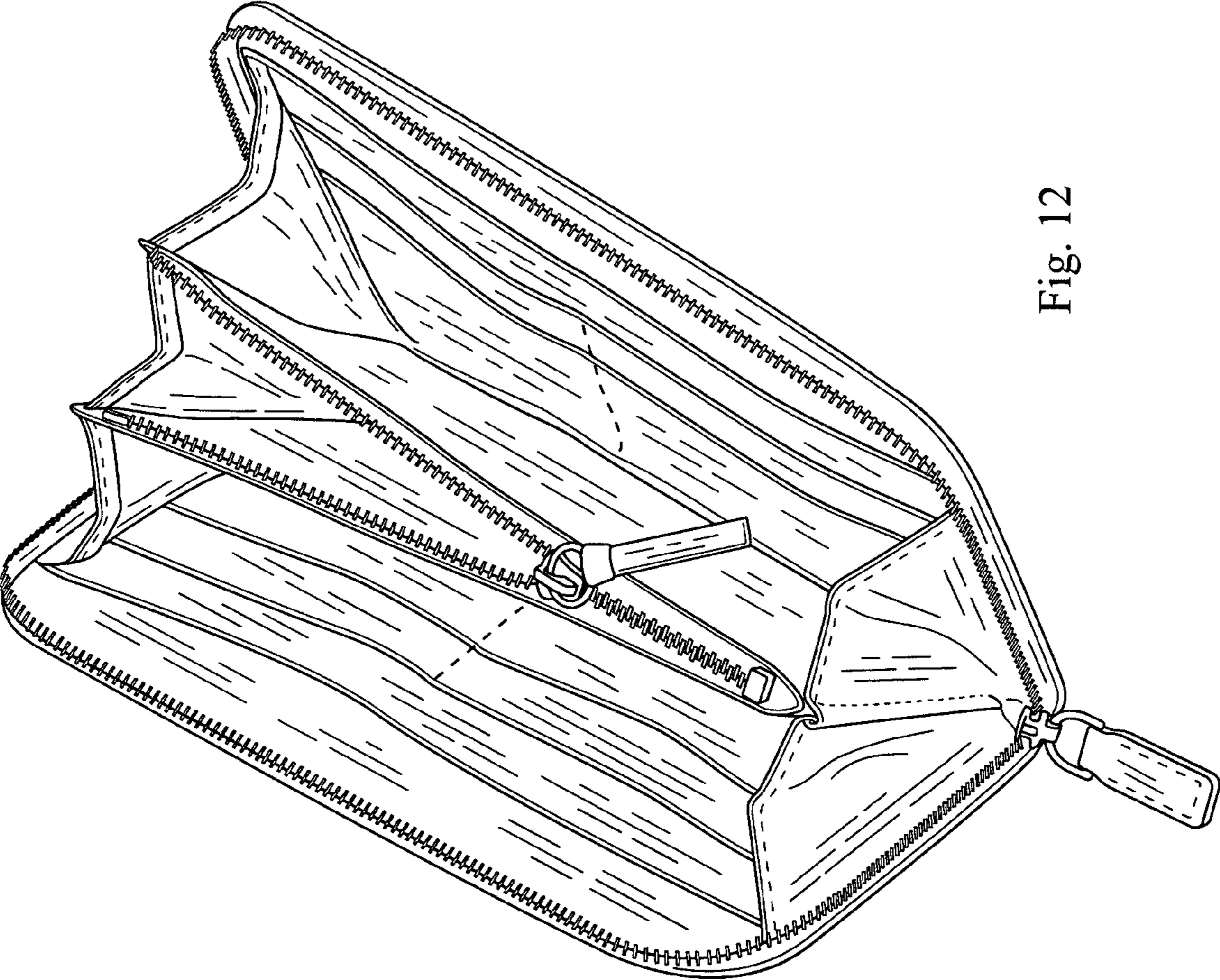


Fig. 12