

US00D584875S

(12) **United States Design Patent**
Bleck

(10) **Patent No.:** **US D584,875 S**

(45) **Date of Patent:** **** Jan. 13, 2009**

(54) **AUTOMATED TELLER MACHINE**

(75) Inventor: **Frank Bleck**, Paderborn (DE)

(73) Assignee: **Wincor Nixdorf International GmbH**
(DE)

(**) Term: **14 Years**

(21) Appl. No.: **29/288,852**

(22) Filed: **Jun. 22, 2007**

(51) **LOC (9) Cl.** **20-01**

(52) **U.S. Cl.** **D99/28**

(58) **Field of Classification Search** D99/28,
D99/34-43, 99; D18/3.1-3.3; D14/385,
D14/448; 235/375-381; 705/35, 43; 109/2,
109/24.1, 50, 53, 66, 83; 106/644; 52/659,
52/73; 902/8, 21, 30; 340/5.41; 348/150;
D20/1, 2; D25/16; 361/687, 694
See application file for complete search history.

(56) **References Cited**

U.S. PATENT DOCUMENTS

D360,734 S *	7/1995	Hall	D99/28
D405,833 S *	2/1999	Mussett	D20/1
D410,129 S *	5/1999	Molander et al.	D99/28
D427,413 S *	6/2000	Wallace et al.	D99/35
D437,468 S *	2/2001	Fukutake et al.	D99/28
D445,124 S *	7/2001	Naito	D18/3.3
D448,910 S *	10/2001	Kit et al.	D99/28
D454,421 S *	3/2002	Jeon et al.	D99/28
D456,587 S *	4/2002	Kit et al.	D99/28

D479,642 S *	9/2003	Magee et al.	D99/28
D481,515 S *	10/2003	Magee et al.	D99/28
D492,080 S *	6/2004	Magee et al.	D99/28
D494,730 S *	8/2004	Magee et al.	D99/28
D505,240 S *	5/2005	Swaine et al.	D99/28
D505,765 S *	5/2005	Swaine et al.	D99/28
7,004,385 B1 *	2/2006	Douglass	235/379
7,040,534 B2 *	5/2006	Turocy et al.	235/379
D530,880 S *	10/2006	Magee et al.	D99/28
D534,705 S *	1/2007	Kang et al.	D99/28
D540,004 S *	4/2007	Kang et al.	D99/28
D553,689 S *	10/2007	Lebeau	D20/2

* cited by examiner

Primary Examiner—Robert M Spear

Assistant Examiner—Susan E Krakower

(74) *Attorney, Agent, or Firm*—Harness, Dickey & Pierce,
P.L.C.

(57) **CLAIM**

The ornamental design for an automatic teller machine, as shown and described.

DESCRIPTION

FIG. 1 is a front view of an automatic teller machine embodying my new design;

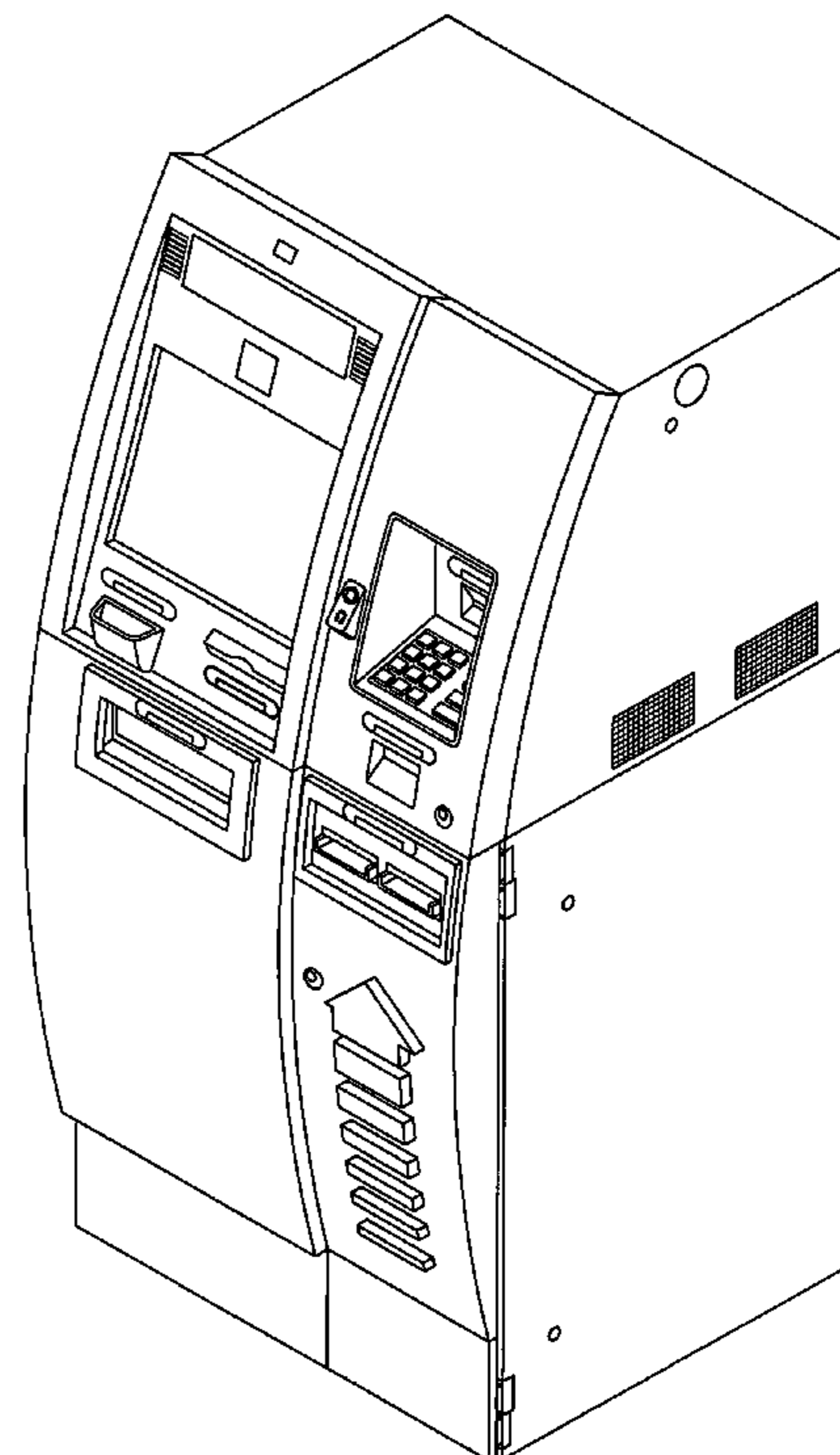
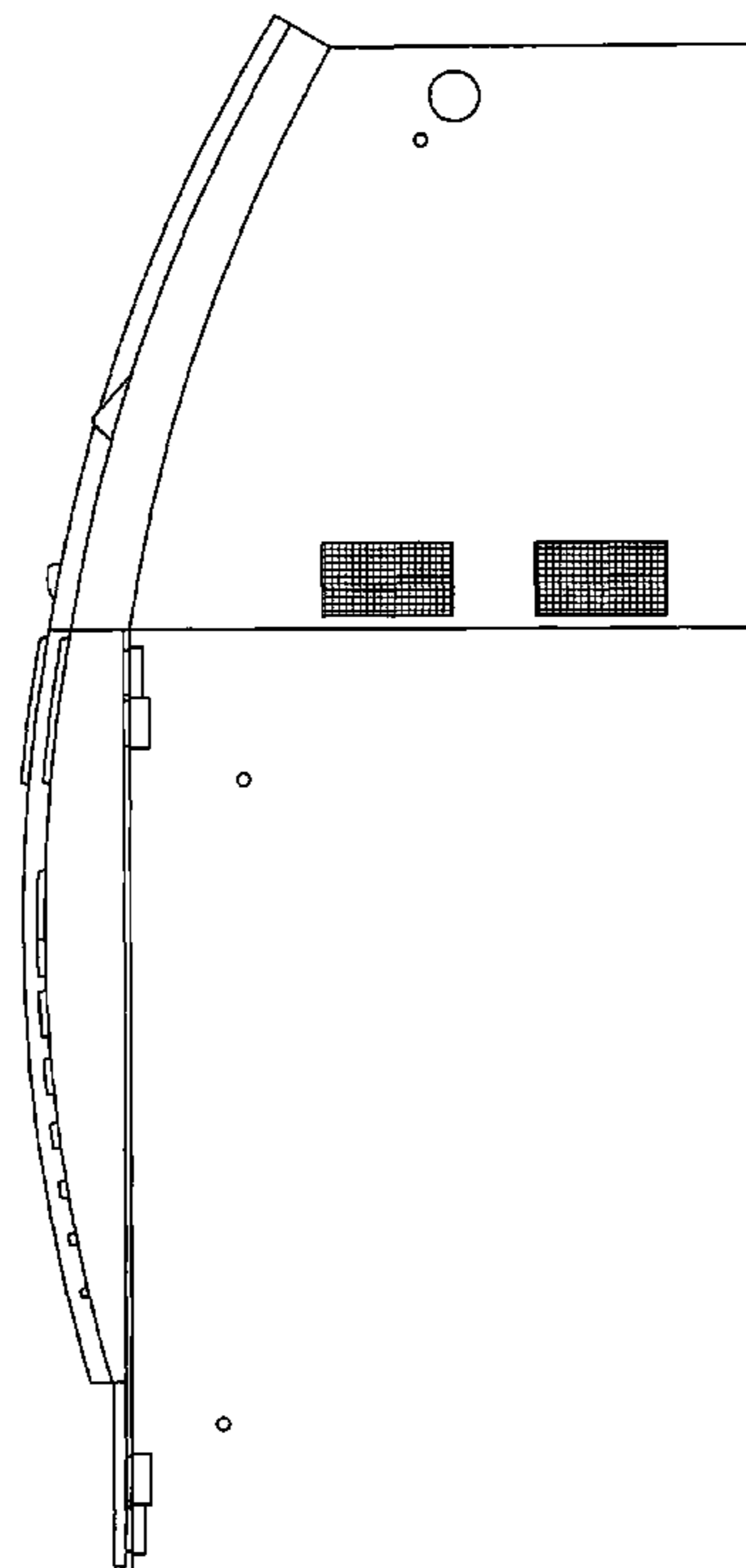
FIG. 2 is a right side view thereof;

FIG. 3 is a left side view thereof;

FIG. 4 is a top view thereof; and,

FIG. 5 is a perspective view thereof.

1 Claim, 5 Drawing Sheets



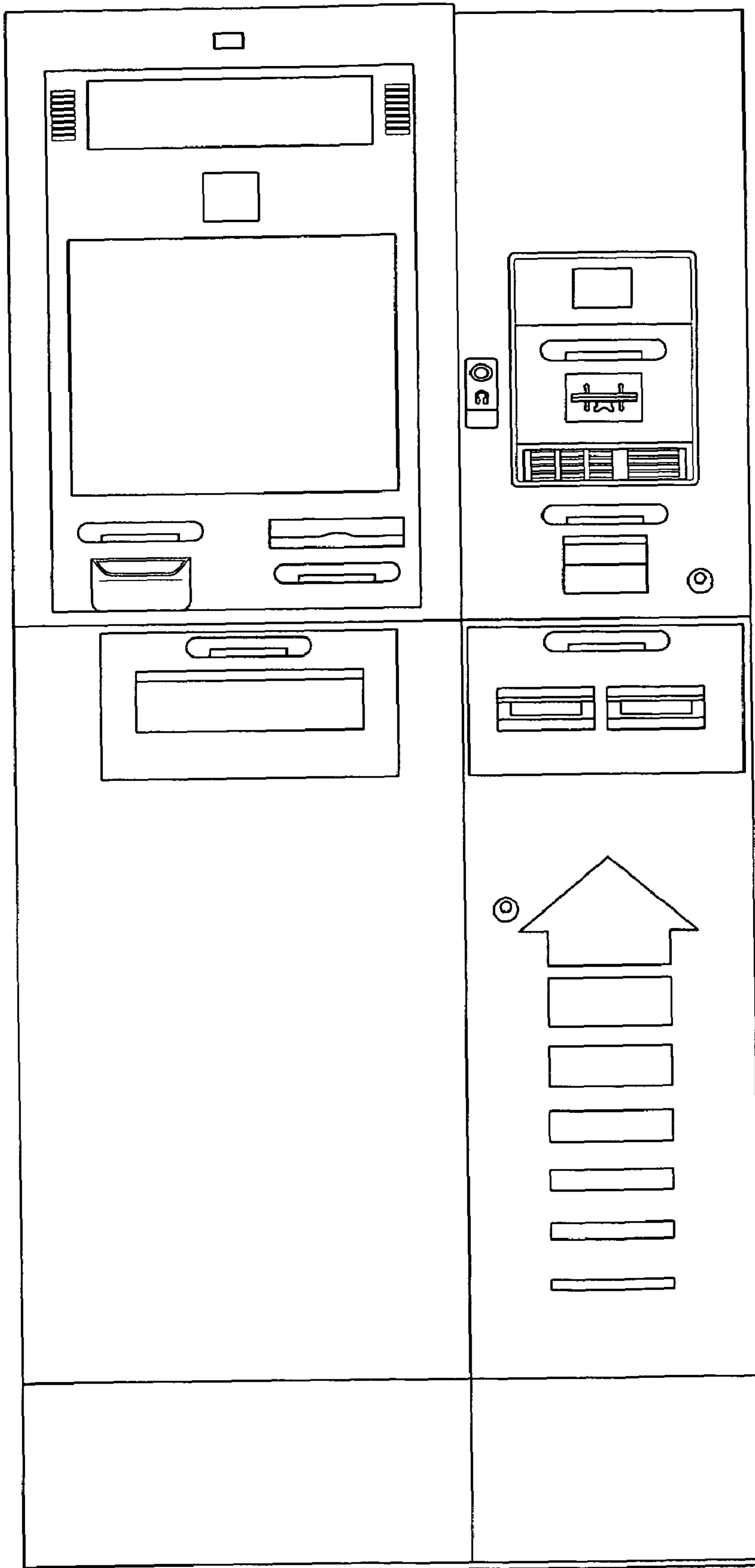


Fig-1

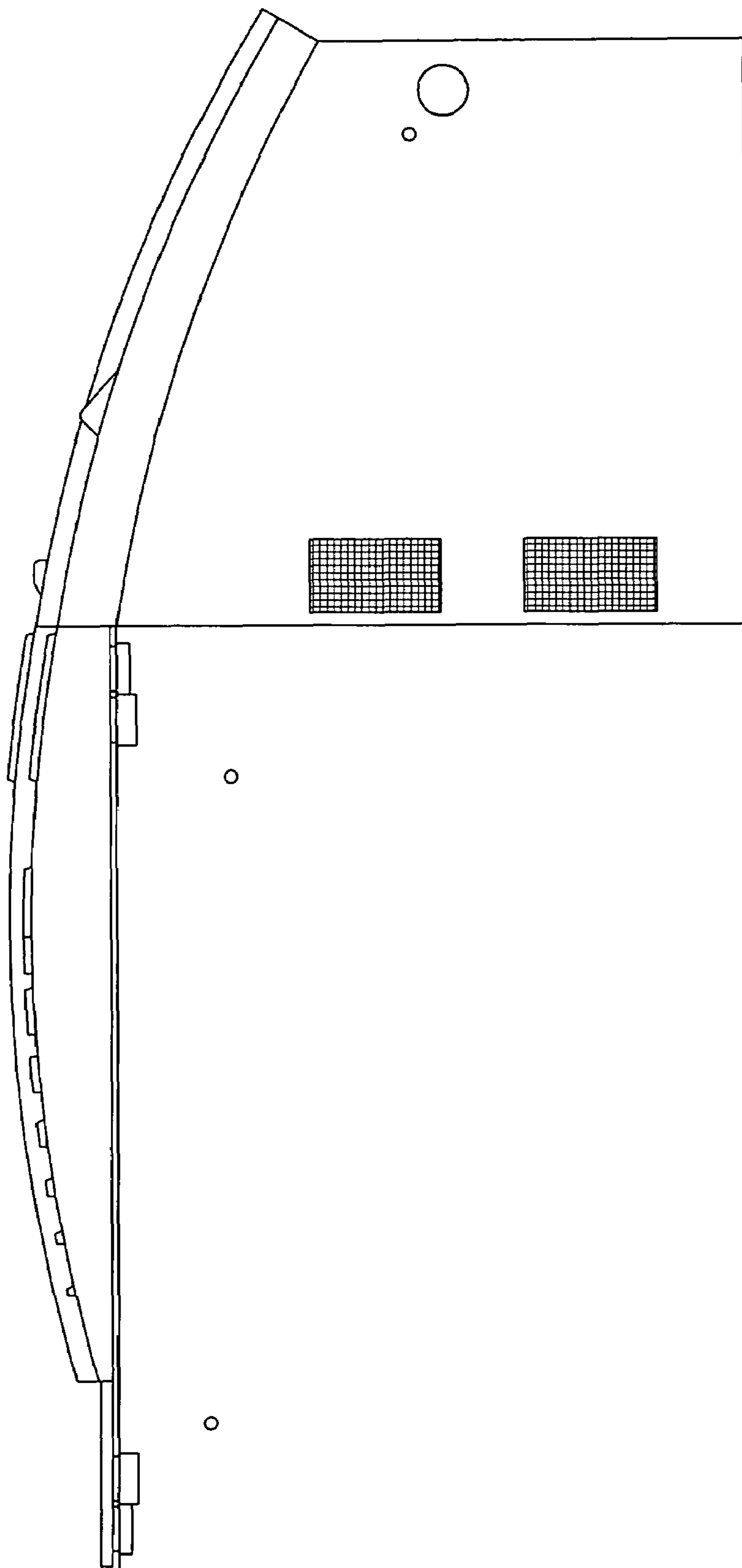


Fig-2

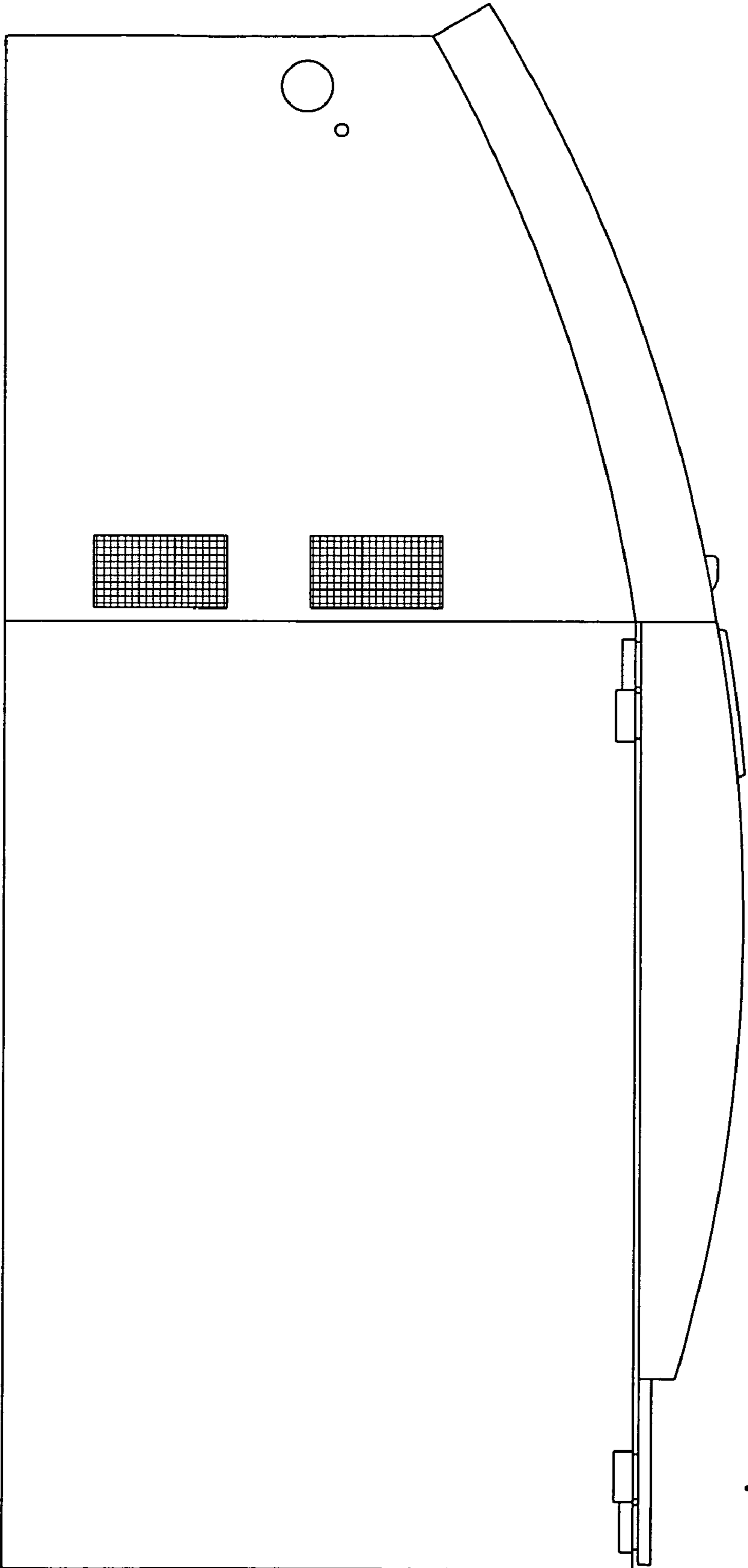


Fig-3

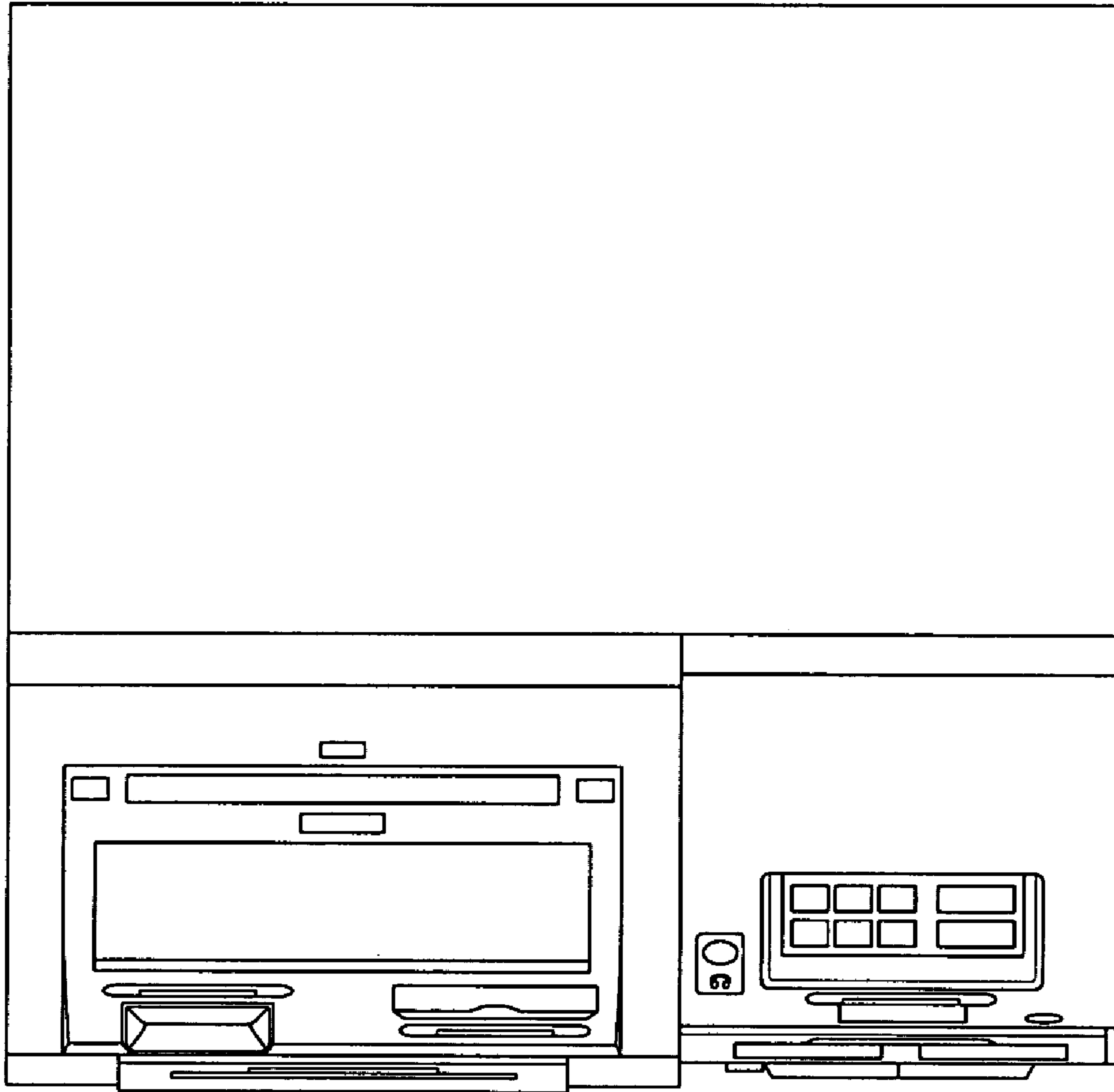


Fig-4

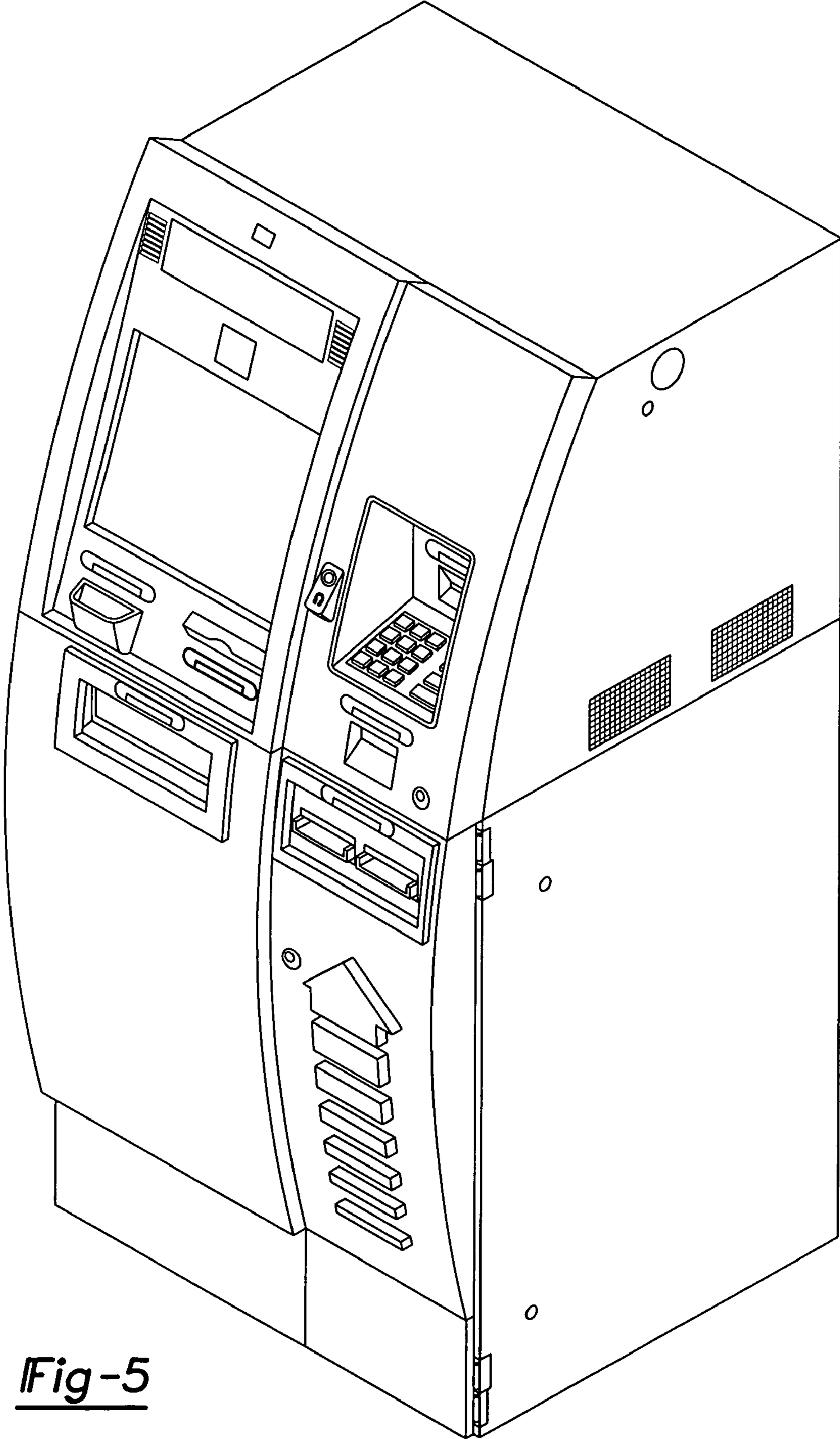


Fig-5