



US00D584869S

(12) **United States Design Patent**  
**Higareda et al.**

(10) **Patent No.:** **US D584,869 S**  
(45) **Date of Patent:** **\*\* Jan. 13, 2009**

(54) **REFILL CLEANING ABSORBENT**

(75) Inventors: **Jose de Jesus Castillo Higareda**,  
Racine, WI (US); **Douglas A. Soller**,  
Racine, WI (US); **Steven A. Zach**,  
Racine, WI (US)

(73) Assignee: **S.C. Johnson & Son, Inc.**, Racine, WI  
(US)

(\*\*) Term: **14 Years**

(21) Appl. No.: **29/286,615**

(22) Filed: **May 14, 2007**

**Related U.S. Application Data**

(63) Continuation-in-part of application No. 29/265,234,  
filed on Aug. 28, 2006.

(51) **LOC (9) Cl.** ..... **04-01**

(52) **U.S. Cl.** ..... **D32/45; D32/35**

(58) **Field of Classification Search** ..... D32/40-45,  
D32/46, 49, 35; 15/121, 245, 245.1, 143.1,  
15/236.01, 250.03; D25/119; D34/29  
See application file for complete search history.

(56) **References Cited**

**U.S. PATENT DOCUMENTS**

1,828,715 A 10/1931 Oishei  
2,722,701 A 11/1955 Blum et al.  
D251,855 S \* 5/1979 Schindele ..... D25/119  
D331,631 S \* 12/1992 Leith ..... D25/119

D332,315 S \* 1/1993 Weirnerman ..... D25/119  
5,692,261 A 12/1997 Lops  
5,842,488 A 12/1998 Belleau et al.  
6,668,418 B2 12/2003 Bastien  
6,742,951 B2 6/2004 Schultz et al.  
D524,454 S \* 7/2006 Zarb ..... D25/119  
D548,907 S \* 8/2007 Killen ..... D32/41

\* cited by examiner

*Primary Examiner*—Robin V Webster

(57) **CLAIM**

The ornamental design for a refill cleaning absorbent, as shown and described.

**DESCRIPTION**

In a preferred embodiment the nature of this product is as an absorbent, useful in connection with a cleaning device such as a hand-held window cleaning device having a squeegee blade, for delivering and collecting cleaning fluid.

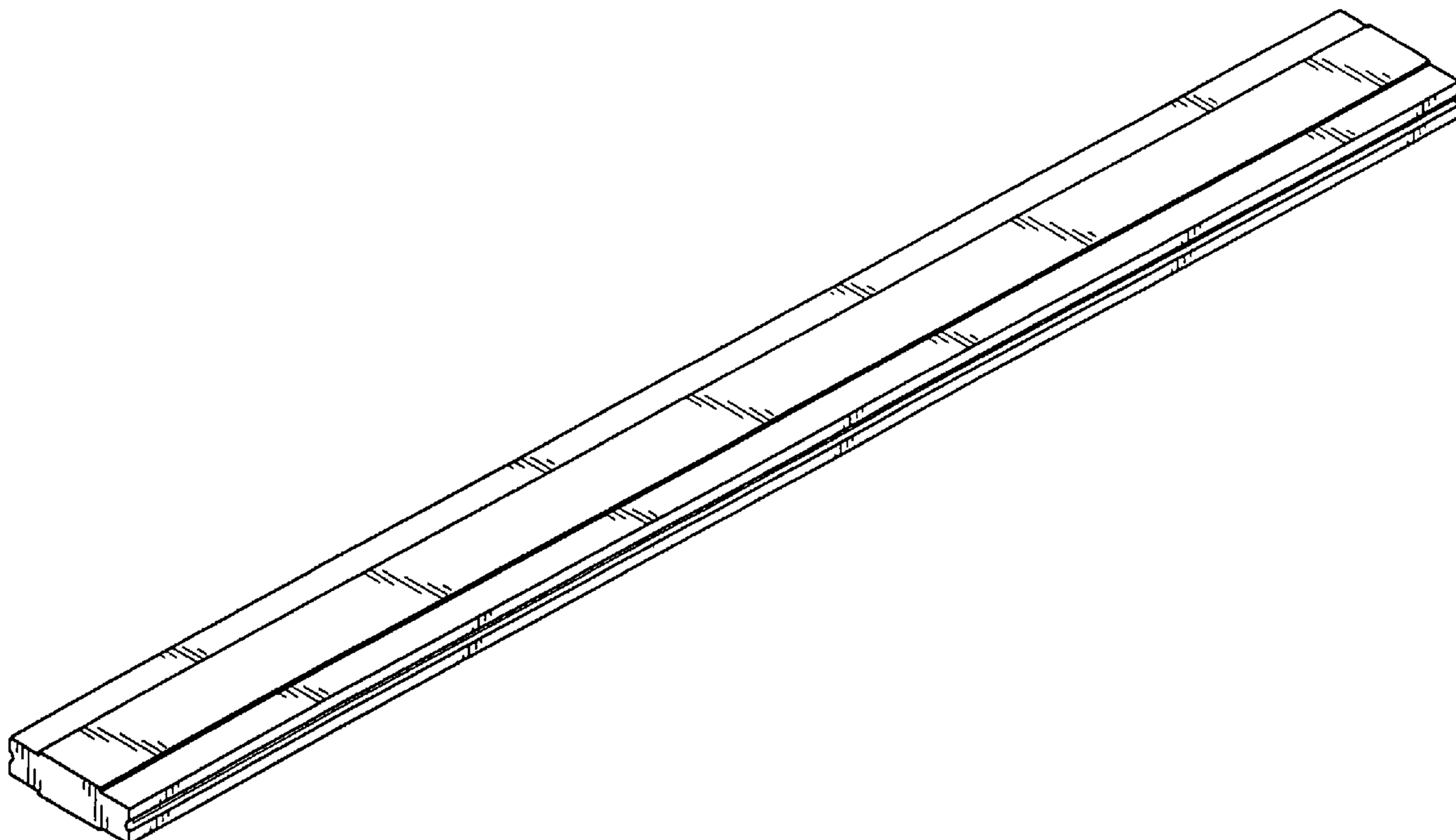
FIG. 1 is a left, top, frontal perspective view of a refill cleaning absorbent embodying our new design;

FIG. 2 is a top plan view thereof, the bottom plan view thereof being the mirror image of the top plan view shown;

FIG. 3 is a left side elevational view thereof, the right side elevational view thereof being the mirror image of the left side elevational view shown; and,

FIG. 4 is a front elevational view thereof, the rear elevational view thereof being a mirror image of the front elevational view shown.

**1 Claim, 2 Drawing Sheets**



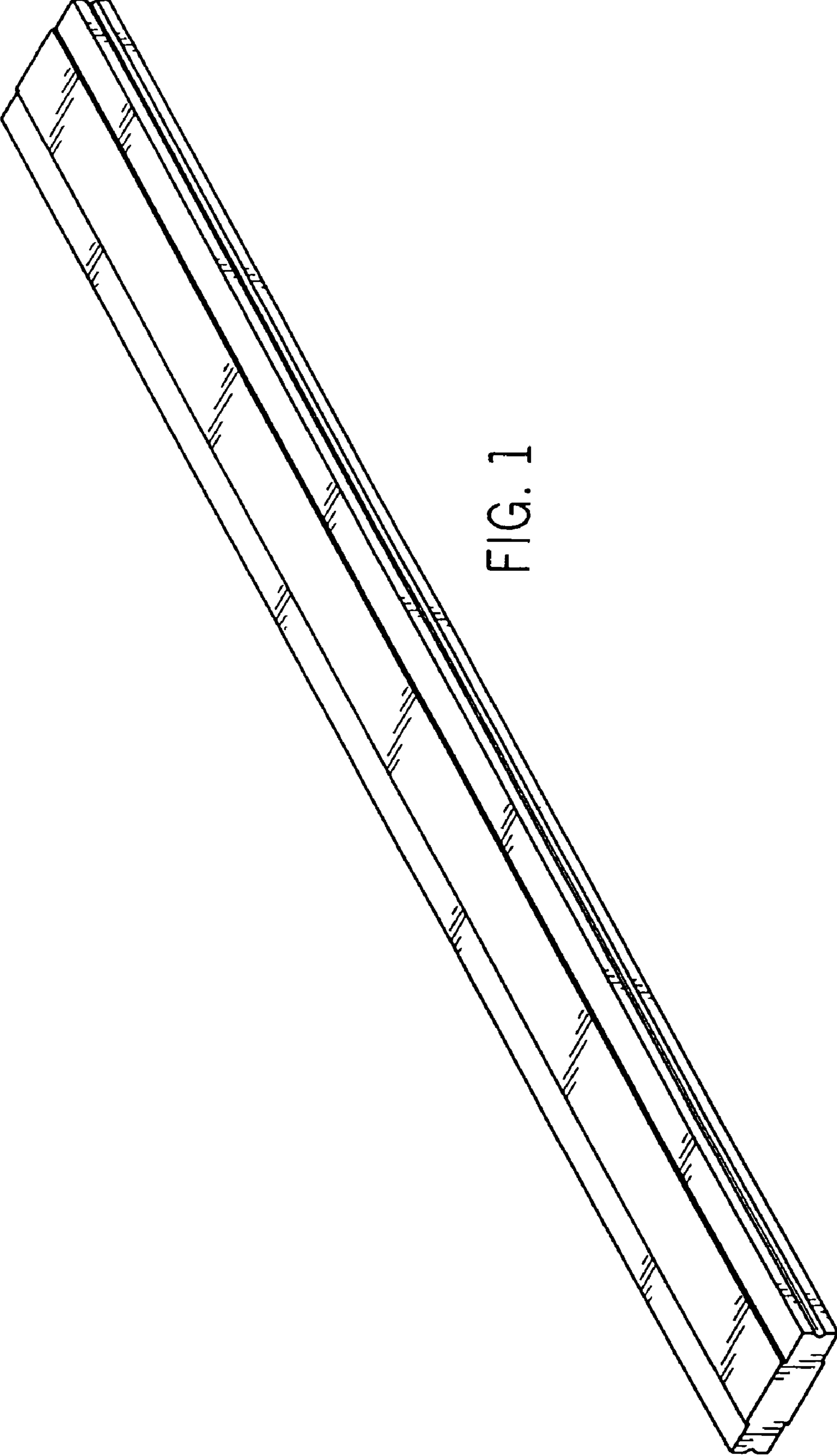


FIG. 1

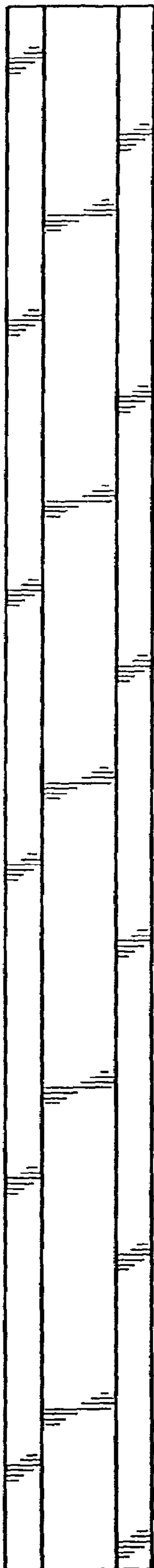


FIG. 2

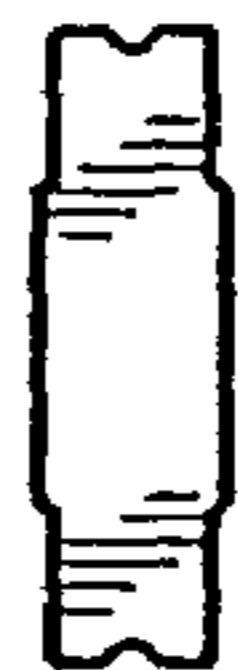


FIG. 3



FIG. 4