



US00D584867S

(12) **United States Design Patent**
Zach et al.

(10) **Patent No.:** **US D584,867 S**
(45) **Date of Patent:** **** Jan. 13, 2009**

(54) **CLEANING CARTRIDGE**

(57) **CLAIM**

(75) Inventors: **Steven A. Zach**, Racine, WI (US);
Douglas A. Soller, Racine, WI (US);
Jose de Jesus Castillo Higareda,
Racine, WI (US)

The ornamental design for a cleaning cartridge, as shown and described.

(73) Assignee: **S.C. Johnson & Son, Inc.**, Racine, WI (US)

DESCRIPTION

(**) Term: **14 Years**

In a preferred embodiment the nature of this product is as a cleaning cartridge, useful in connection with a cleaning device such as a hand-held window cleaning device for delivering cleaning fluid to a surface to be cleaned as well as for collecting used cleaning fluid.

(21) Appl. No.: **29/265,229**

FIG. 1 is a right, top, frontal perspective view of a cleaning cartridge embodying our new design;

(22) Filed: **Aug. 28, 2006**

FIG. 2 is a top plan view thereof;

(51) **LOC (9) Cl.** **04-01**

(52) **U.S. Cl.** **D32/45; D32/35**

FIG. 3 is a bottom plan view thereof;

(58) **Field of Classification Search** D32/40-45,
D32/46, 49, 35; 15/121, 245, 245.1, 143.1,
15/236.01, 250.03; D25/119; D34/29
See application file for complete search history.

FIG. 4 is a left side elevational view thereof, the right side elevational view thereof being the mirror image of the left side elevational view shown;

(56) **References Cited**

FIG. 5 is a rear elevational view thereof;

U.S. PATENT DOCUMENTS

FIG. 6 is a front elevational view thereof;

1,828,715	A	10/1931	Oishei	
2,722,701	A	11/1955	Blum et al.	
D251,855	S *	5/1979	Schindele	D25/119
D331,631	S *	12/1992	Leith	D25/119
D332,315	S *	1/1993	Weinerman	D25/119
5,692,261	A	12/1997	Lops	
5,842,488	A	12/1998	Belleau et al.	
6,668,418	B2	12/2003	Bastien	
6,742,951	B2	6/2004	Schultz et al.	
D524,454	S *	7/2006	Zarb	D25/119
D548,907	S *	8/2007	Killen	D32/41

FIG. 7 is the same as FIG. 1 except that the cleaning cartridge is shown in connection with a cleaning device environment; and,

OTHER PUBLICATIONS

FIG. 8 is a rear elevational view of a second embodiment of our new design, which has the same right, top, frontal perspective view, the same top plan view, the same bottom plan view, the same left side elevational view, the same right side elevational view, and the same front elevational view of the embodiment as shown and described in connection with FIGS. 1-4 and FIG. 6.

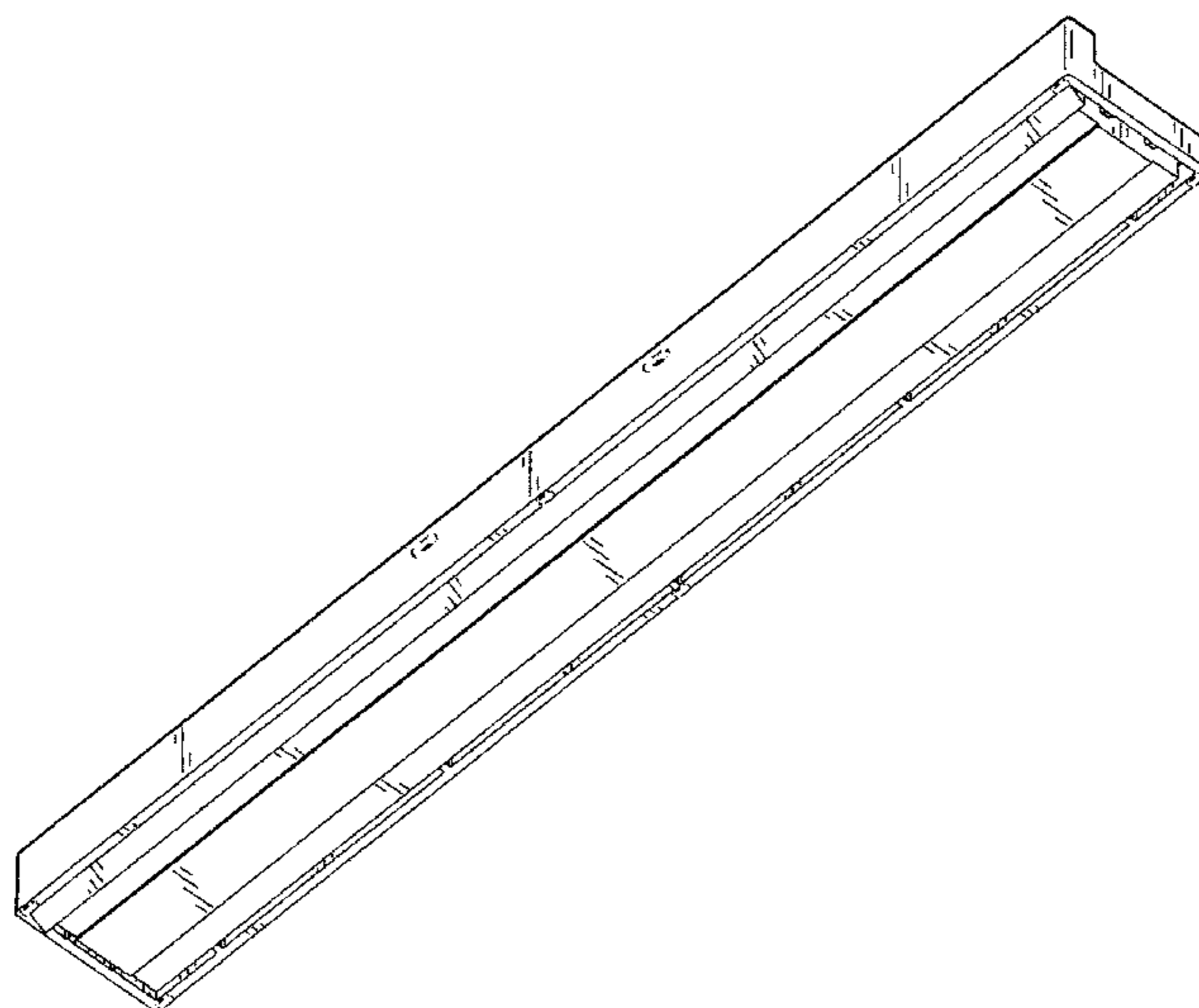
U.S. Appl. No. 60/784,540, filed Mar. 22, 2006, J. Billig.

The broken line representation of a cleaning device environment in FIG. 7 and the broken line representation of two push-out holes and the underlining structures thereof in FIG. 8 are for purposes of illustration only and form no part of the claim.

* cited by examiner

Primary Examiner—Robin V Webster

1 Claim, 5 Drawing Sheets



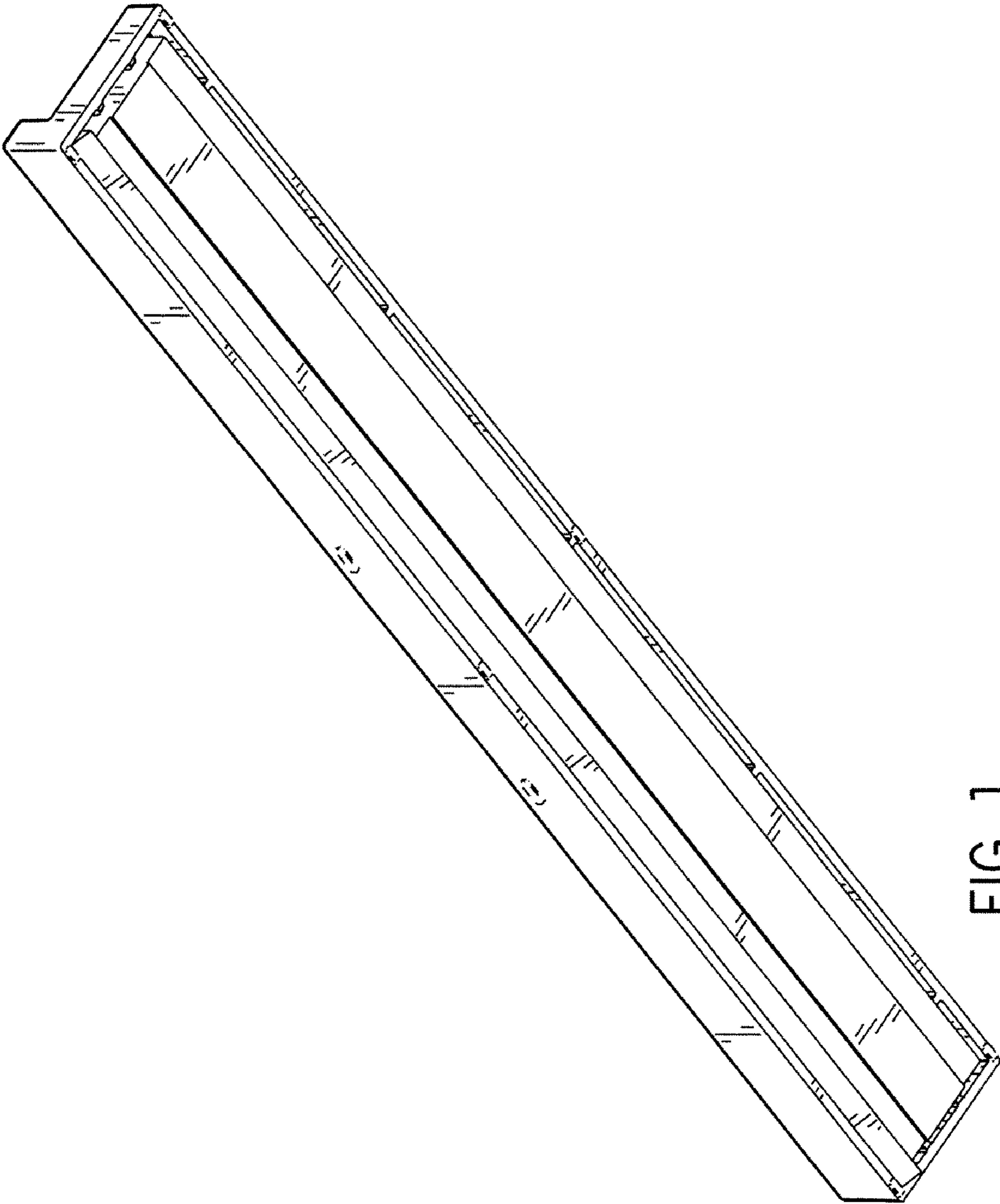


FIG. 1

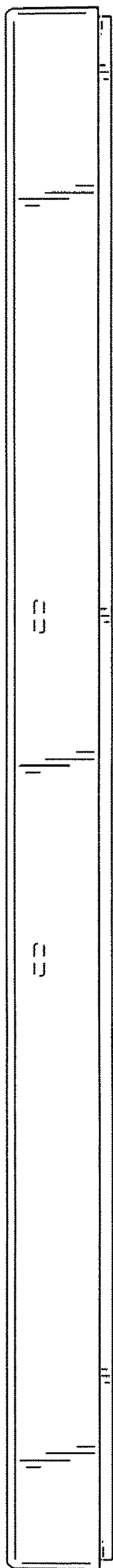


FIG. 2

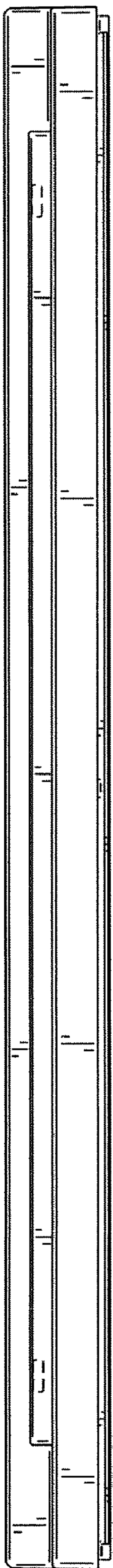


FIG. 3

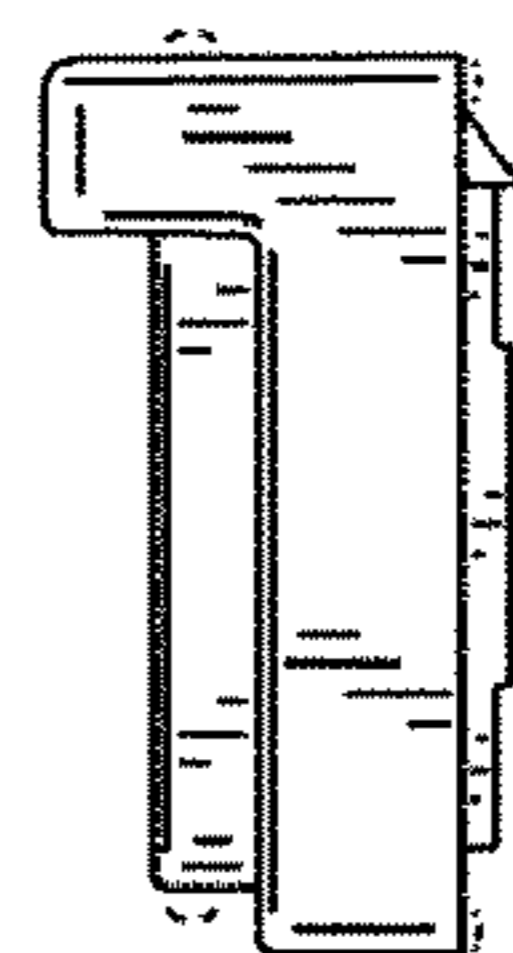


FIG. 4

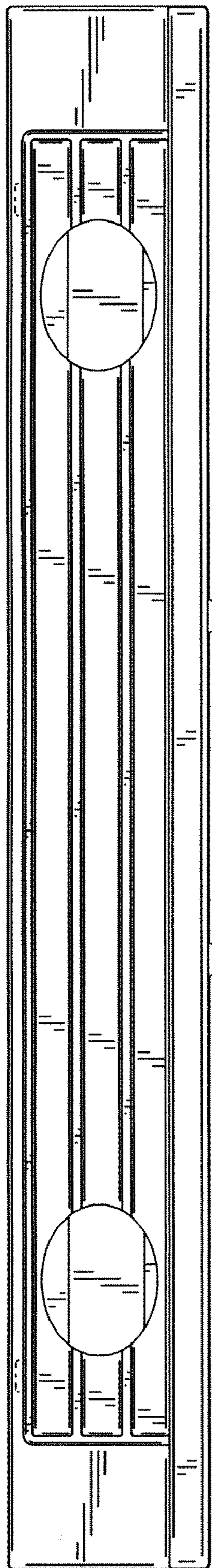


FIG. 5

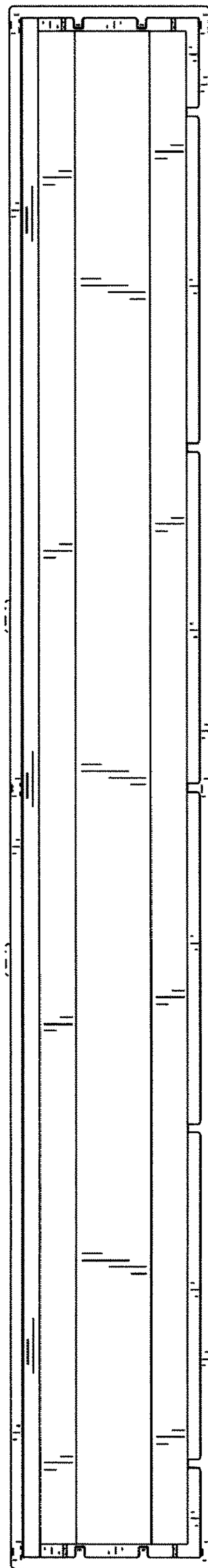


FIG. 6

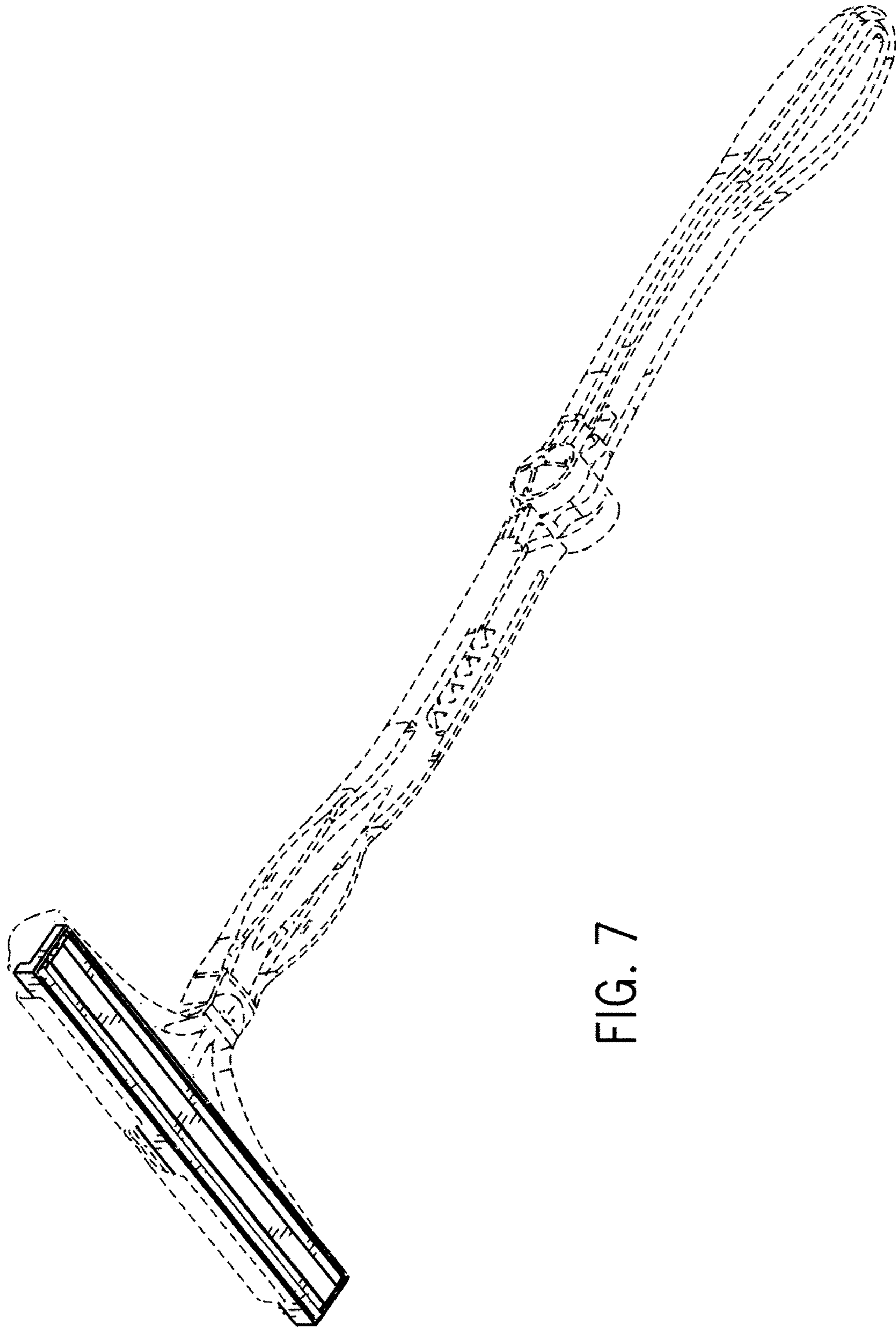


FIG. 7

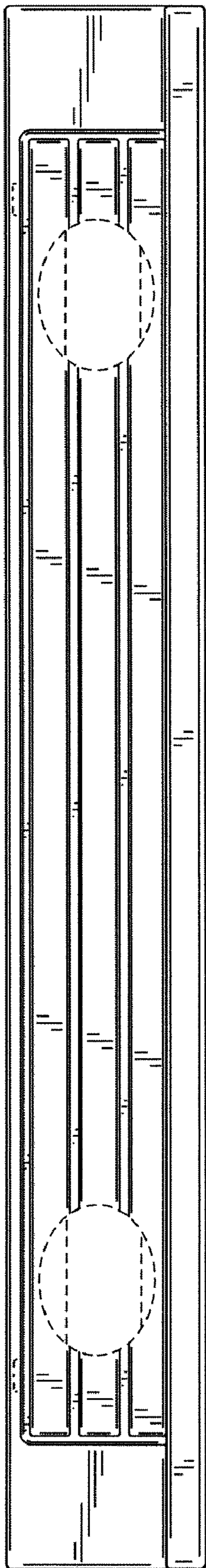


FIG. 8