



US00D584866S

(12) **United States Design Patent**
Mangano

(10) **Patent No.:** **US D584,866 S**
(45) **Date of Patent:** **** Jan. 13, 2009**

(54) **GARMENT DRYING APPARATUS**

(75) Inventor: **Joy Mangano**, St. James, NY (US)

(73) Assignee: **Ingenious Designs LLC**, Edgewood, NY (US)

(**) Term: **14 Years**

(21) Appl. No.: **29/274,779**

(22) Filed: **May 24, 2007**

(51) **LOC (9) Cl.** **15-05**

(52) **U.S. Cl.** **D32/8**

(58) **Field of Classification Search** D32/1,
D32/6, 8, 10, 25; 68/3 R, 5 R, 12.01; 34/87-88,
34/523-524, 622

See application file for complete search history.

(56) **References Cited**

U.S. PATENT DOCUMENTS

2,571,918	A	10/1951	Meninger	
2,701,921	A	2/1955	Strongson	
2,728,996	A	1/1956	Mason	
3,432,939	A *	3/1969	Eichholz	34/622
3,601,292	A	8/1971	Bliss	
3,739,492	A	6/1973	Brooks	
3,858,331	A *	1/1975	Lord	34/621
3,905,125	A *	9/1975	Hubner	34/622
D312,899	S	12/1990	Faulkner	
5,038,497	A *	8/1991	Pelequin	34/622
D332,329	S *	1/1993	Hood et al.	D32/8
D466,657	S	12/2002	Van Hauwermeiren et al.	
6,757,986	B2	7/2004	Miller et al.	
6,840,068	B2	1/2005	Pasin et al.	
D521,196	S *	5/2006	Seiffert et al.	D32/6

D532,563	S *	11/2006	Kim et al.	D32/6
D546,006	S *	7/2007	Stroud et al.	D32/8
2004/0163184	A1 *	8/2004	Waldron et al.	8/149.1
2005/0120757	A1	6/2005	Jackson	

* cited by examiner

Primary Examiner—Louis S Zarfaz

Assistant Examiner—Kathleen M Sims

(74) *Attorney, Agent, or Firm*—Kenyon & Kenyon LLP

(57) **CLAIM**

The ornamental design for a garment drying apparatus, as shown and described.

DESCRIPTION

FIG. 1 is a front elevational view of a garment drying apparatus shown in the closed position showing my new design;

FIG. 2 is a rear elevational view thereof;

FIG. 3 is a top plan view thereof;

FIG. 4 is a bottom plan view thereof;

FIG. 5 is a left side elevational view thereof; and

FIG. 6 is a right side elevational view thereof.

FIG. 7 is a front elevational view of the garment drying apparatus shown in an open position with hooks;

FIG. 8 is a rear elevational view thereof;

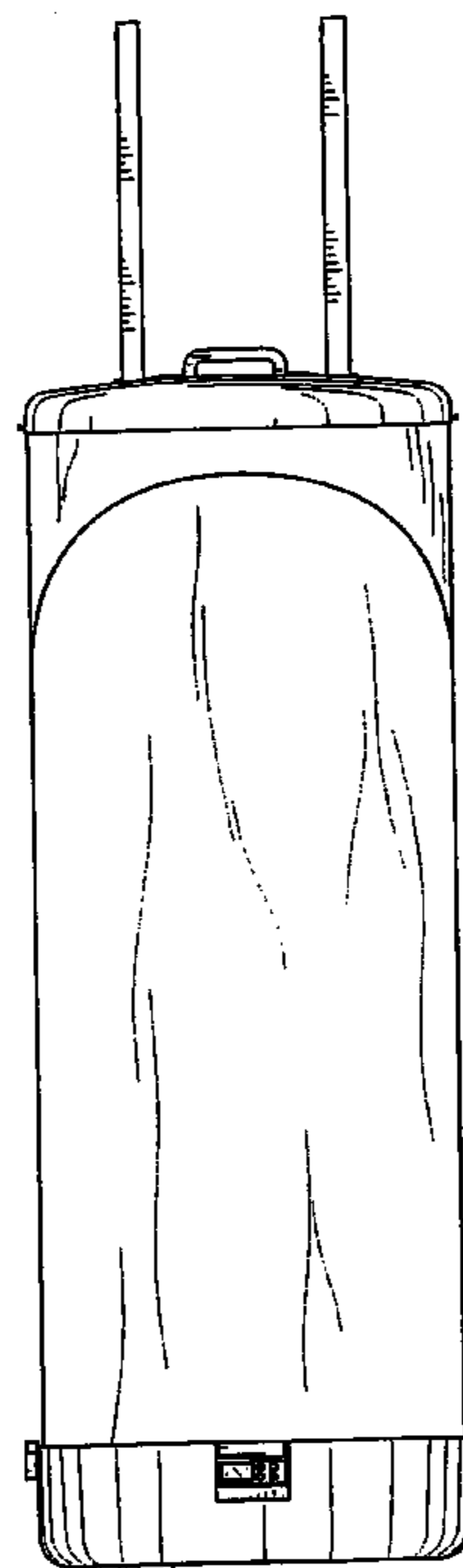
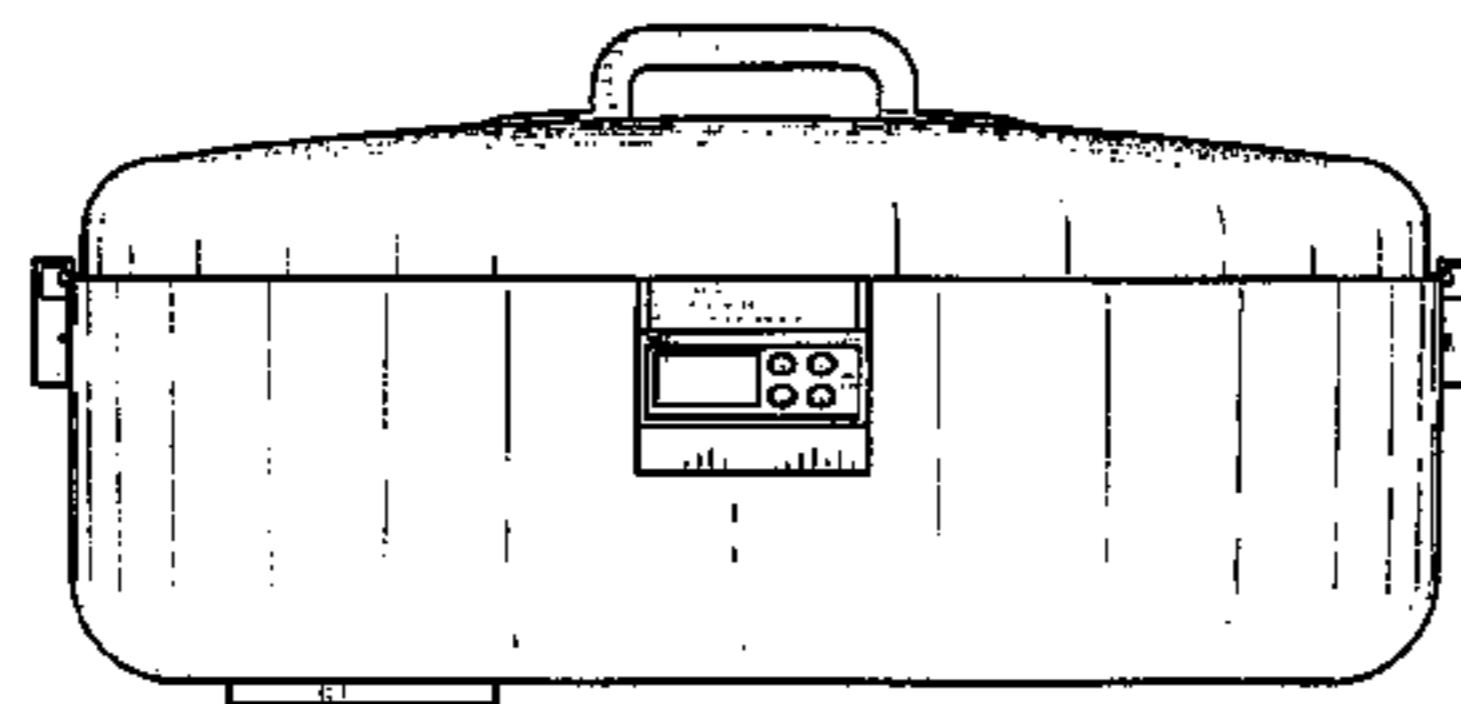
FIG. 9 is a top plan view thereof;

FIG. 10 is a bottom plan view thereof;

FIG. 11 is a right side view thereof; and,

FIG. 12 is a left side view.

1 Claim, 6 Drawing Sheets



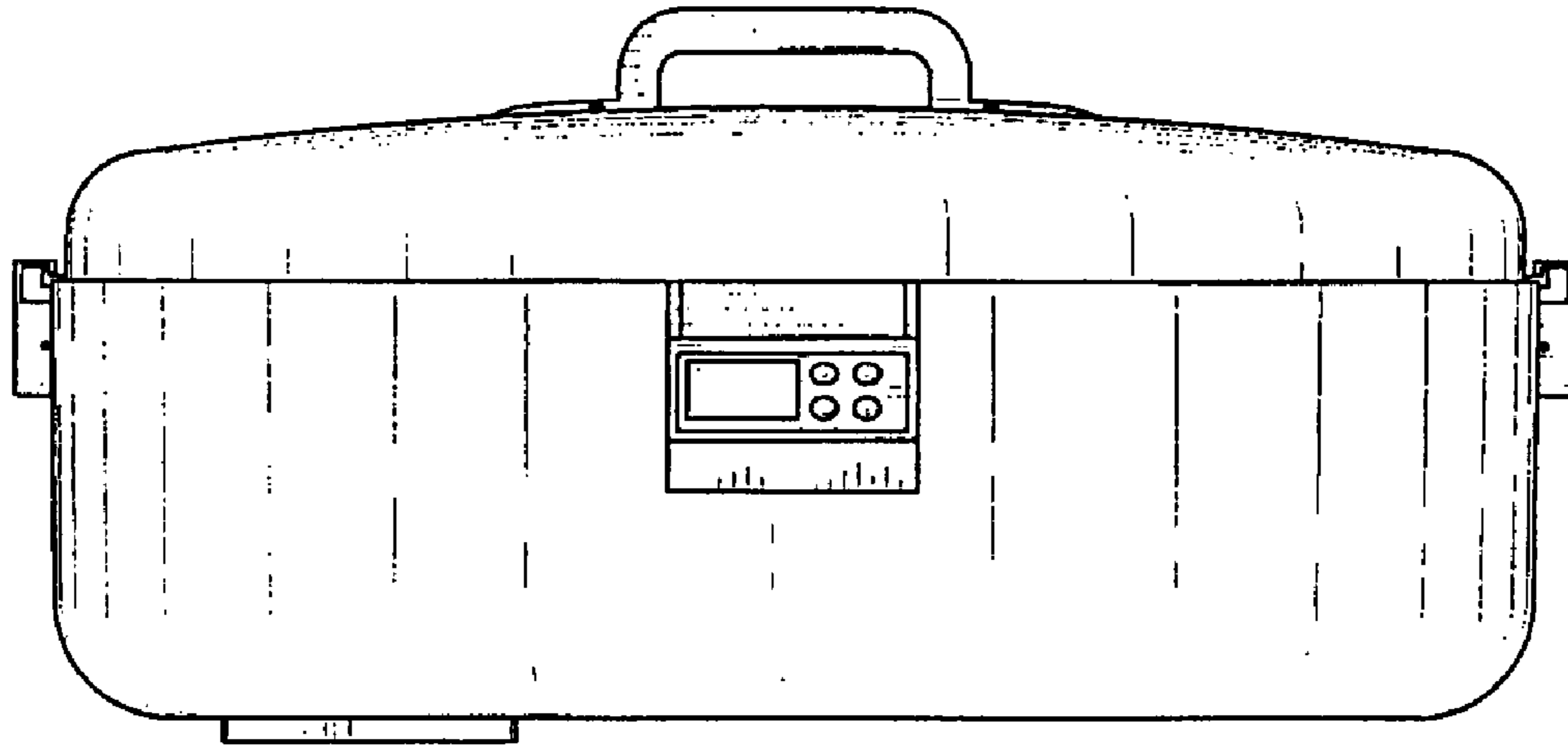


FIG. 1

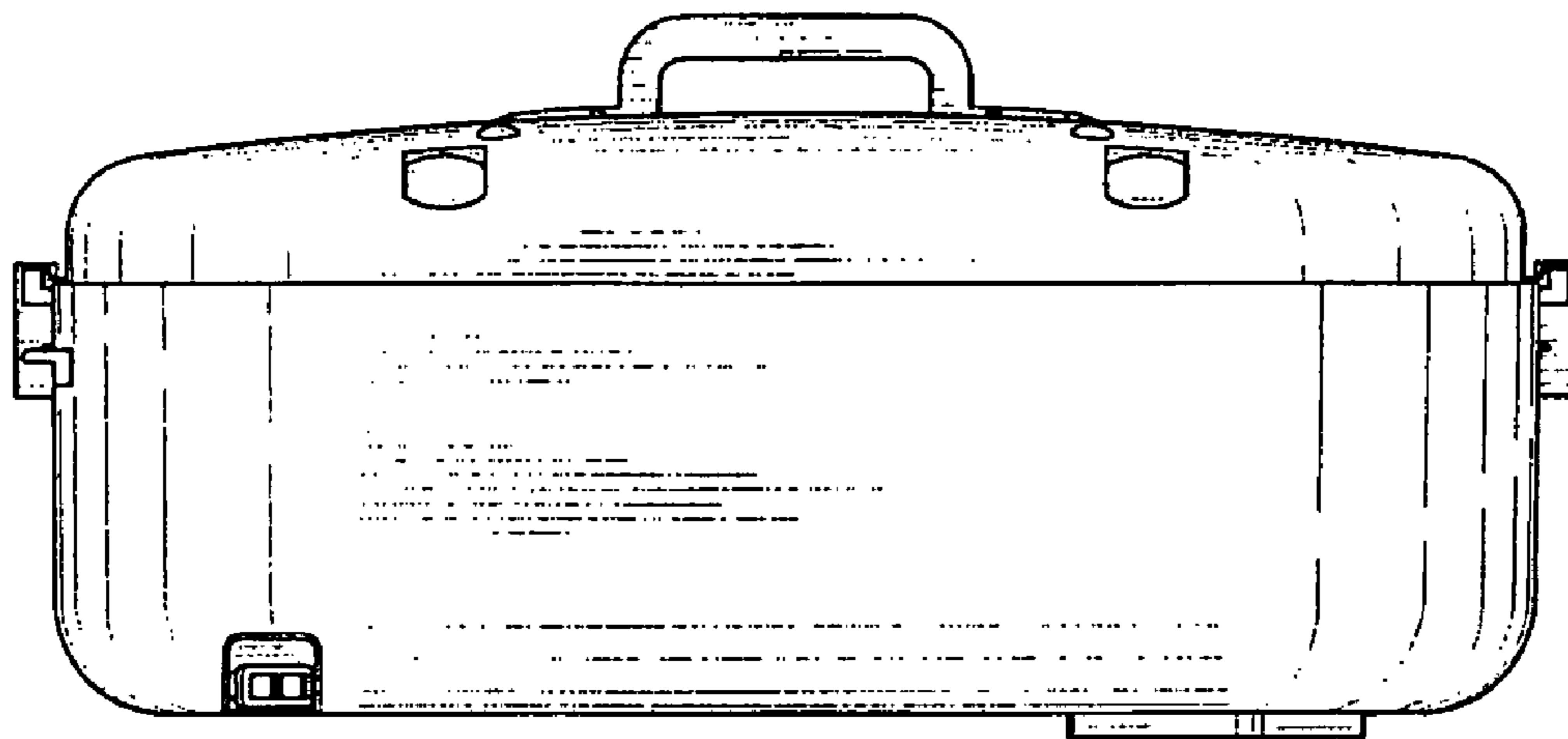


FIG. 2

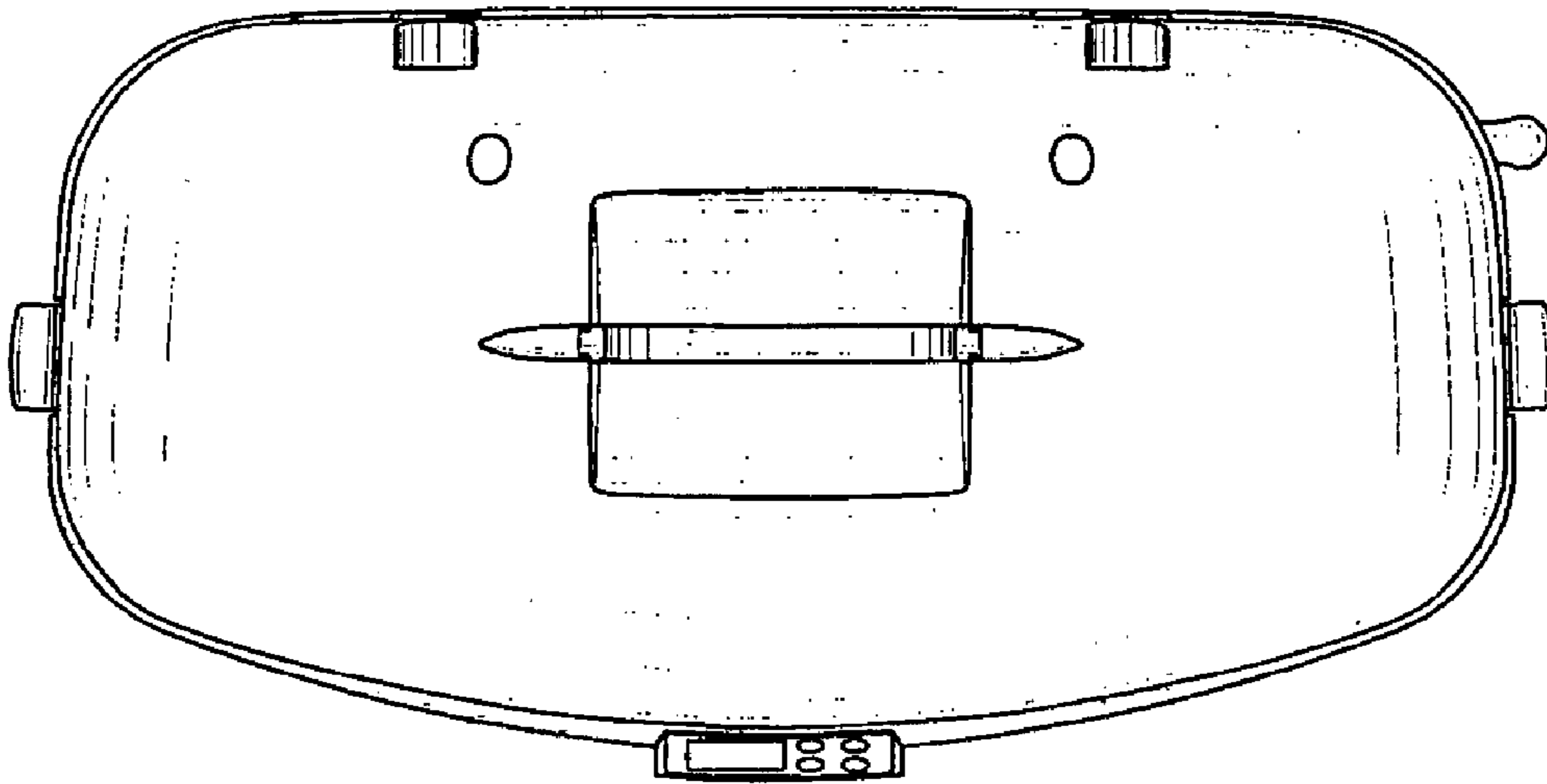


FIG. 3

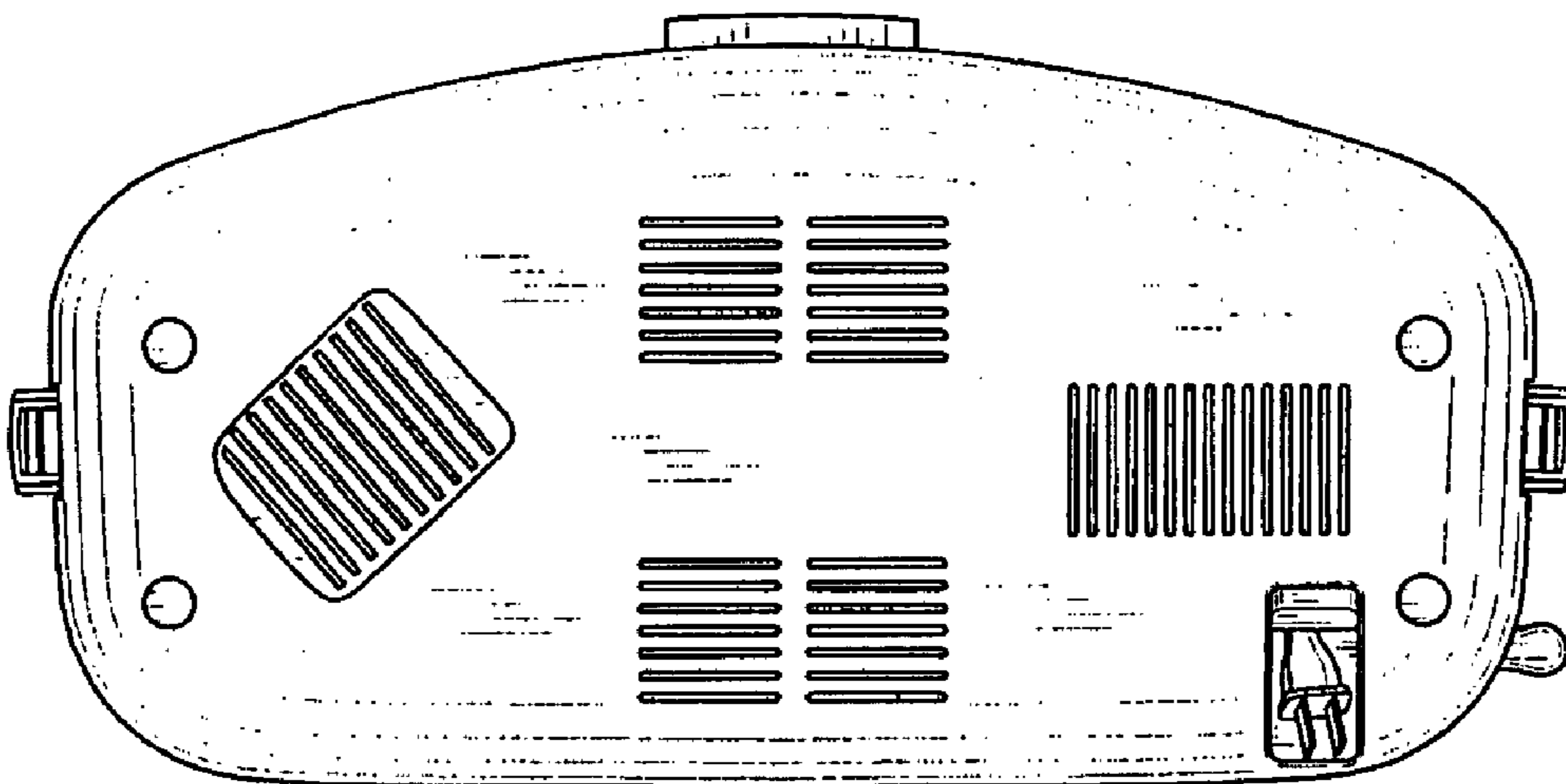


FIG. 4

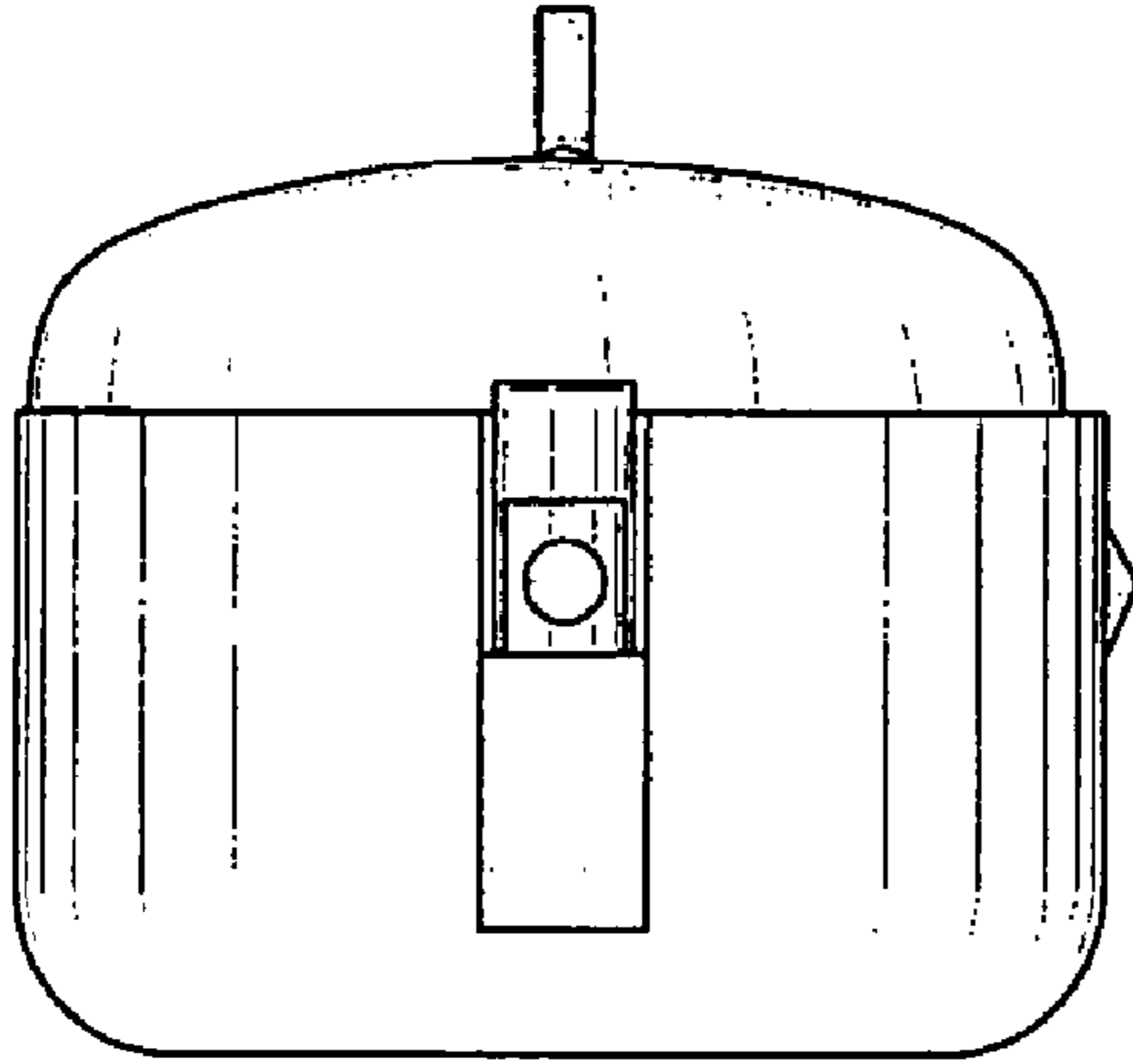


FIG. 5

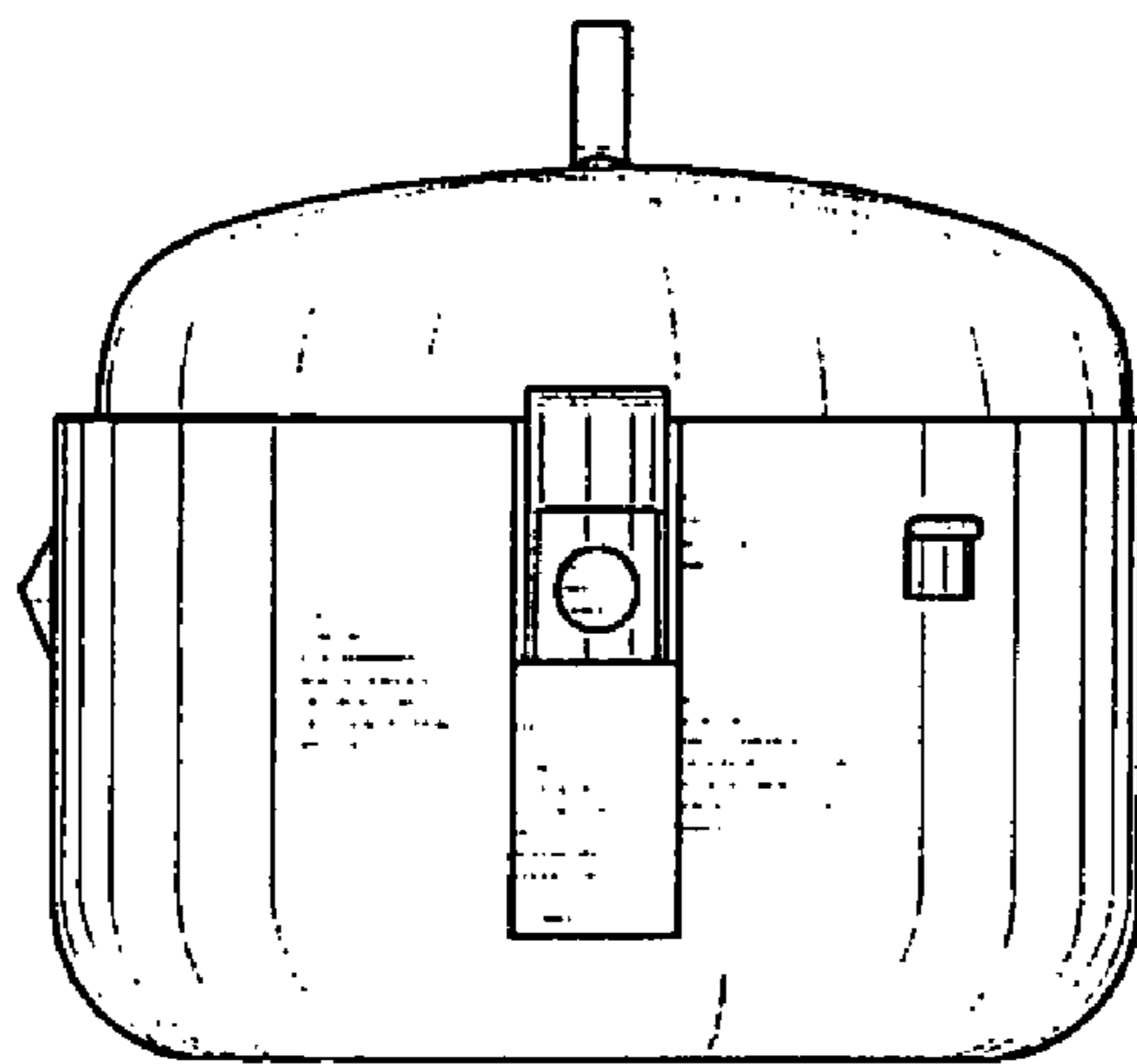


FIG. 6

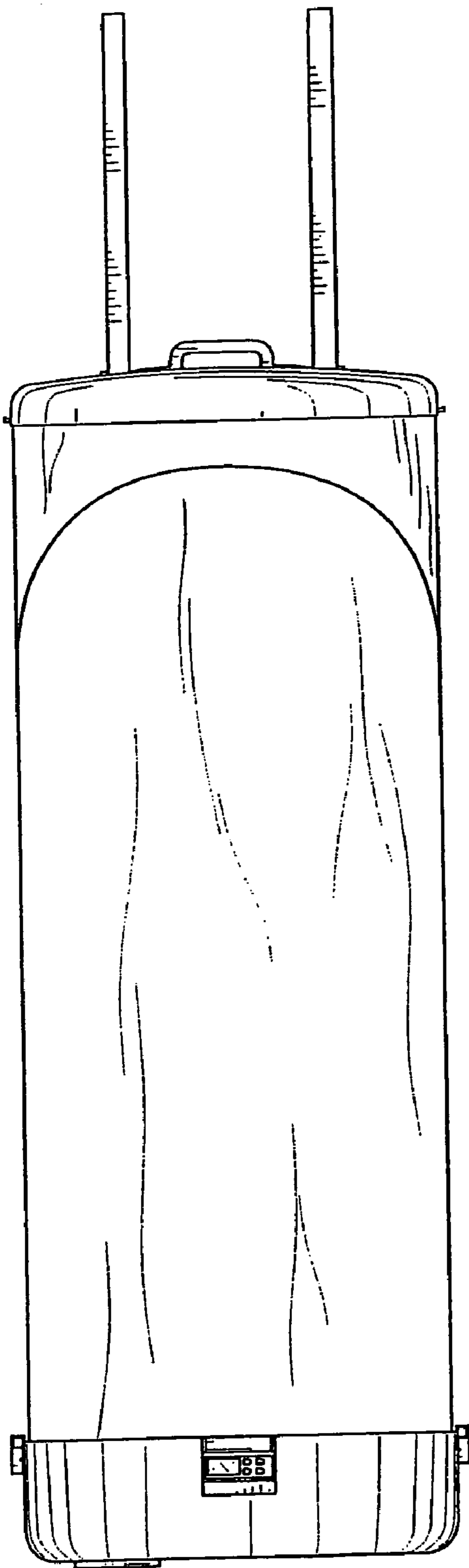


FIG. 7

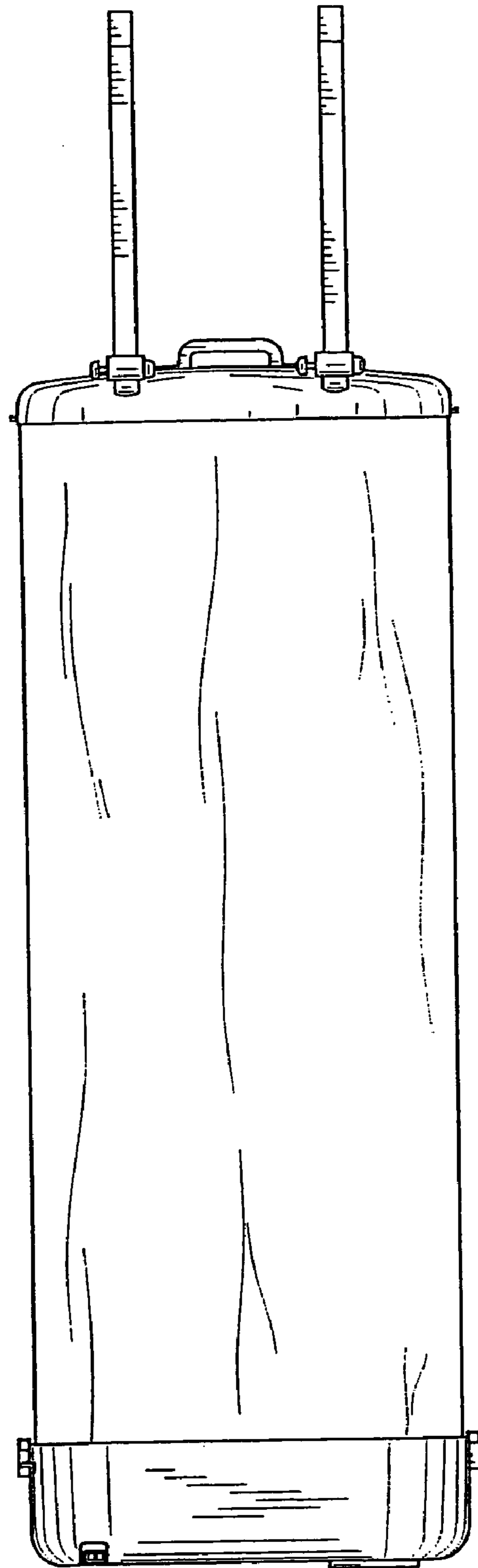


FIG. 8

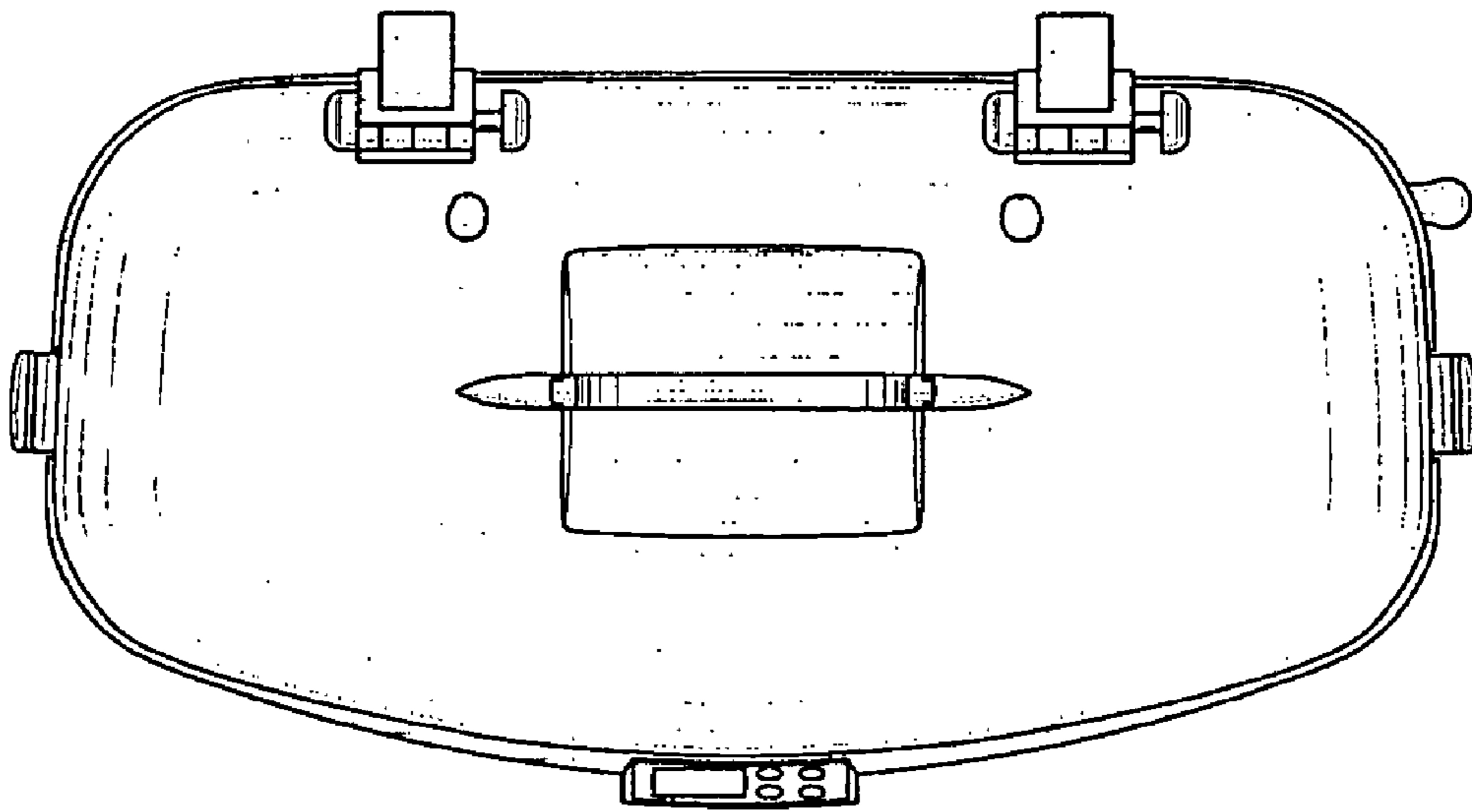


FIG. 9

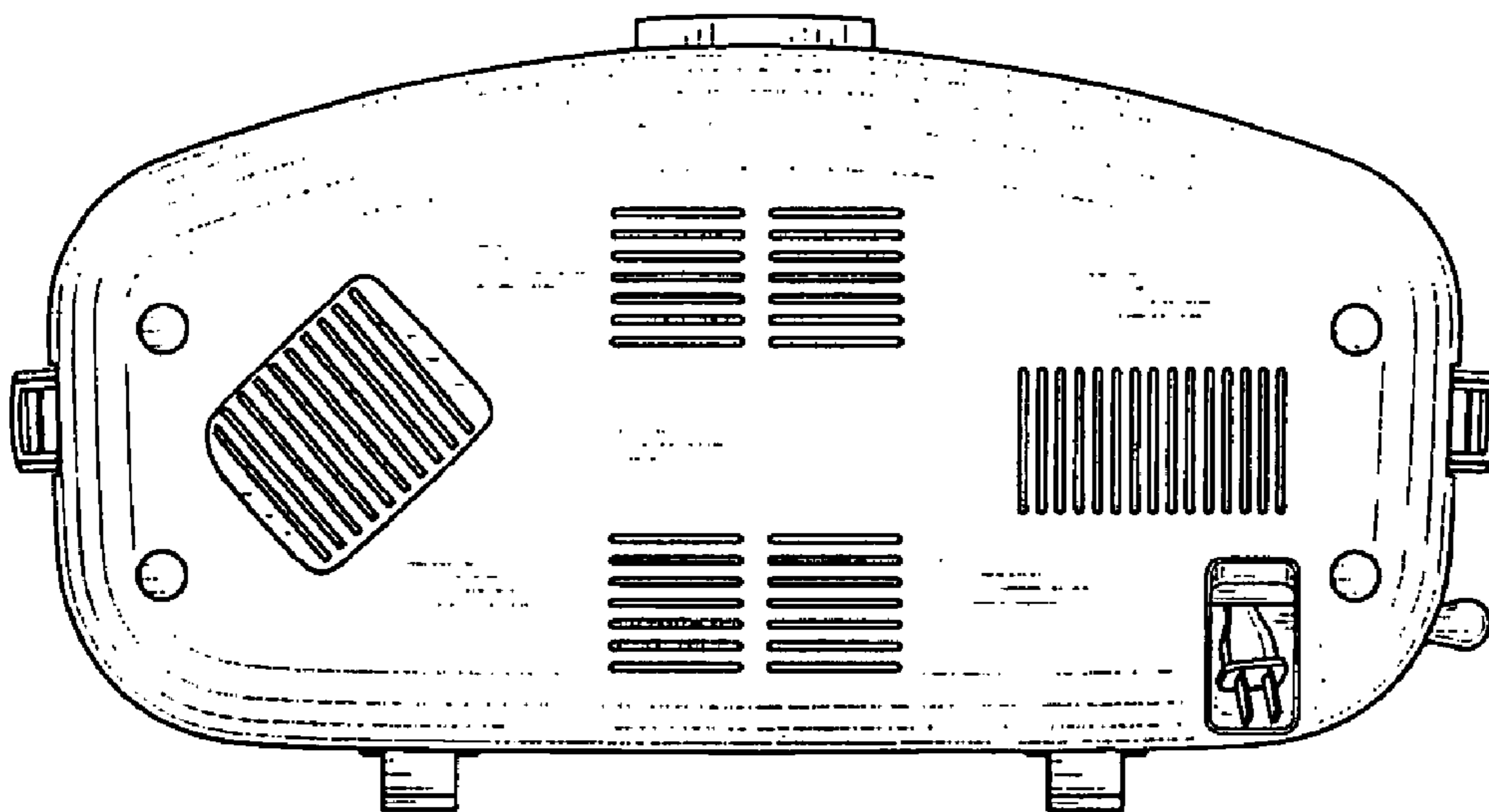


FIG. 10

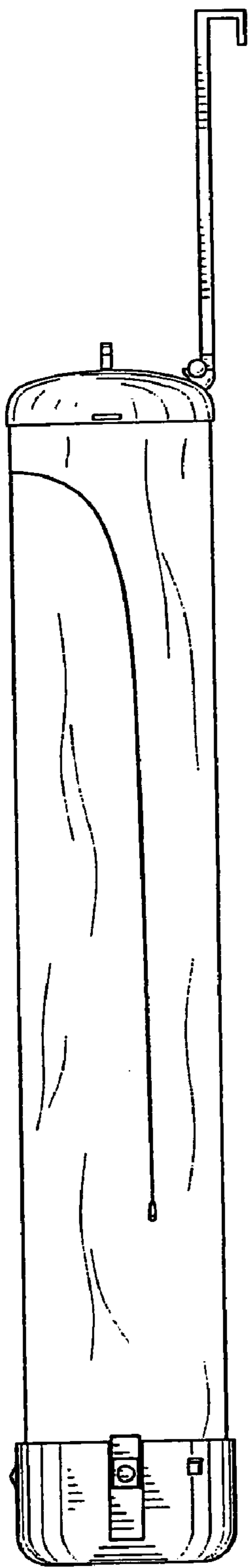


FIG. 11

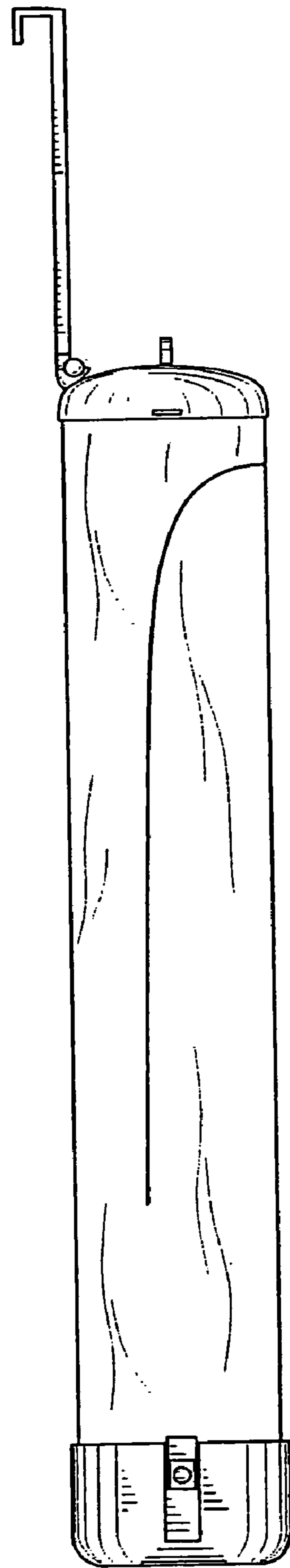


FIG. 12