



US00D584857S

(12) **United States Design Patent**
Kirschenmann

(10) **Patent No.:** **US D584,857 S**

(45) **Date of Patent:** **** Jan. 13, 2009**

(54) **HAIR APPLIANCE ORGANIZER**

D487,170 S * 2/2004 Petruccelli D28/73
D552,796 S * 10/2007 Petruccelli D28/73

(75) Inventor: **Tara D. Kirschenmann**, 6114 San Benito Ct., Bakersfield, CA (US) 93306

* cited by examiner

(73) Assignee: **Tara D. Kirschenmann**, Bakersfield, CA (US)

Primary Examiner—Jennifer Rivard
(74) *Attorney, Agent, or Firm*—Klein, Denatale, Goldner; James M. Duncan; Charlette M. Crissman

(**) Term: **14 Years**

(21) Appl. No.: **29/307,040**

(57) **CLAIM**

(22) Filed: **Mar. 28, 2008**

An ornamental design for a hair appliance organizer, as shown.

(51) **LOC (9) Cl.** **28-03**

(52) **U.S. Cl.** **D28/73; D6/527**

(58) **Field of Classification Search** D28/18,
D28/73-75; 248/314, 176.2; 211/70.6; 219/222,
219/242; D6/527, 567

See application file for complete search history.

DESCRIPTION

FIG. 1 is a perspective view of the hair appliance organizer showing the hair appliance organizer of my new design.

FIG. 2 is a front elevation view of the hair appliance organizer.

FIG. 3 is a rear elevation view of the hair appliance organizer.

FIG. 4 is a left side elevation view of the hair appliance organizer.

FIG. 5 is a right side elevation view of the hair appliance organizer.

FIG. 6 is a top plan view of the hair appliance organizer; and,

FIG. 7 is a bottom plan view of the hair appliance organizer.

(56) **References Cited**

U.S. PATENT DOCUMENTS

D294,530 S *	3/1988	Carluccio et al.	D28/73
4,871,074 A	10/1989	Bryson et al.	
D313,341 S *	1/1991	Gaboriault et al.	D28/73
5,743,415 A *	4/1998	Smart	211/70.6
5,917,694 A *	6/1999	Denny	211/70.6
D454,460 S	3/2002	Davies	

1 Claim, 3 Drawing Sheets

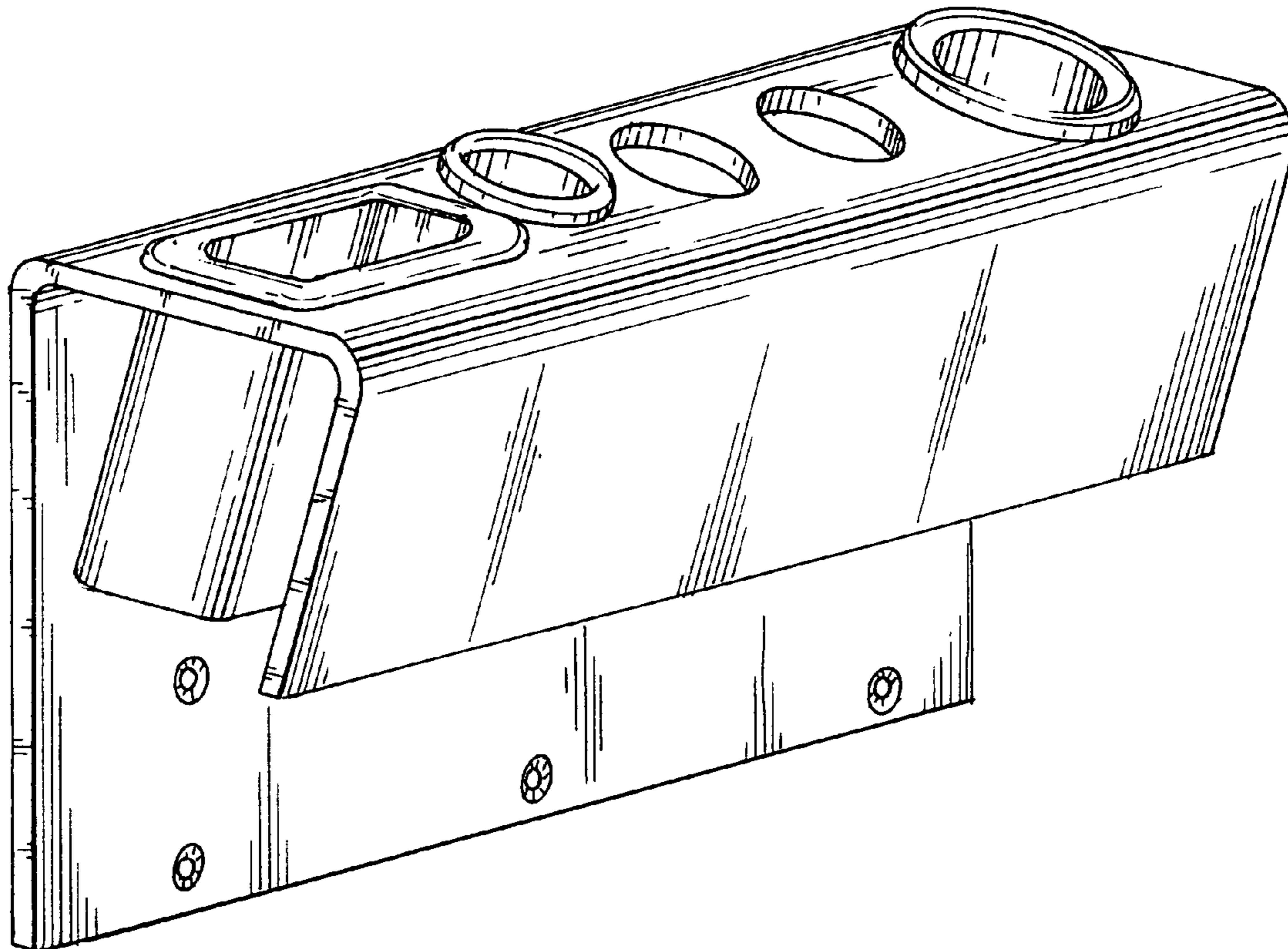


FIG. 1

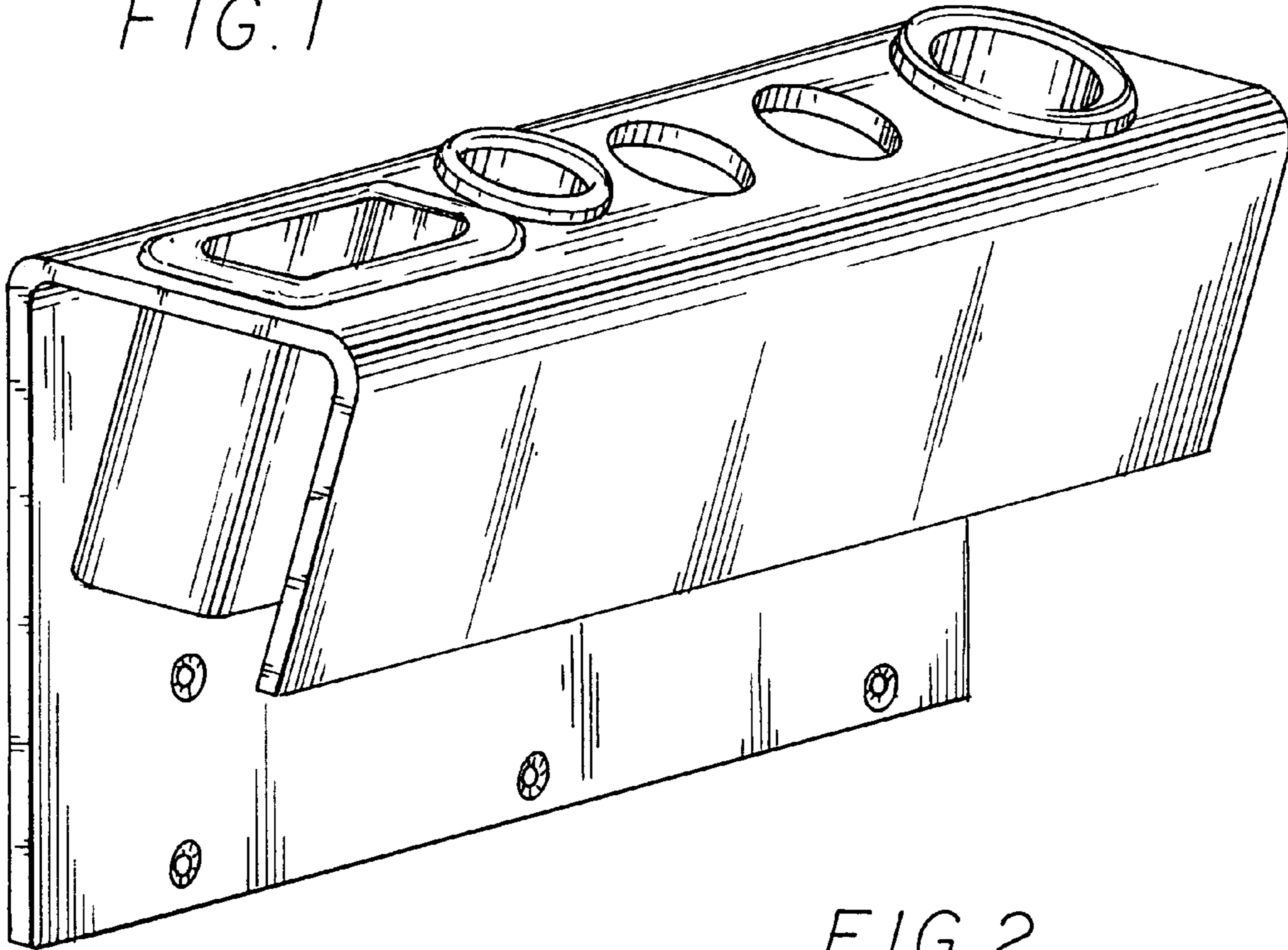
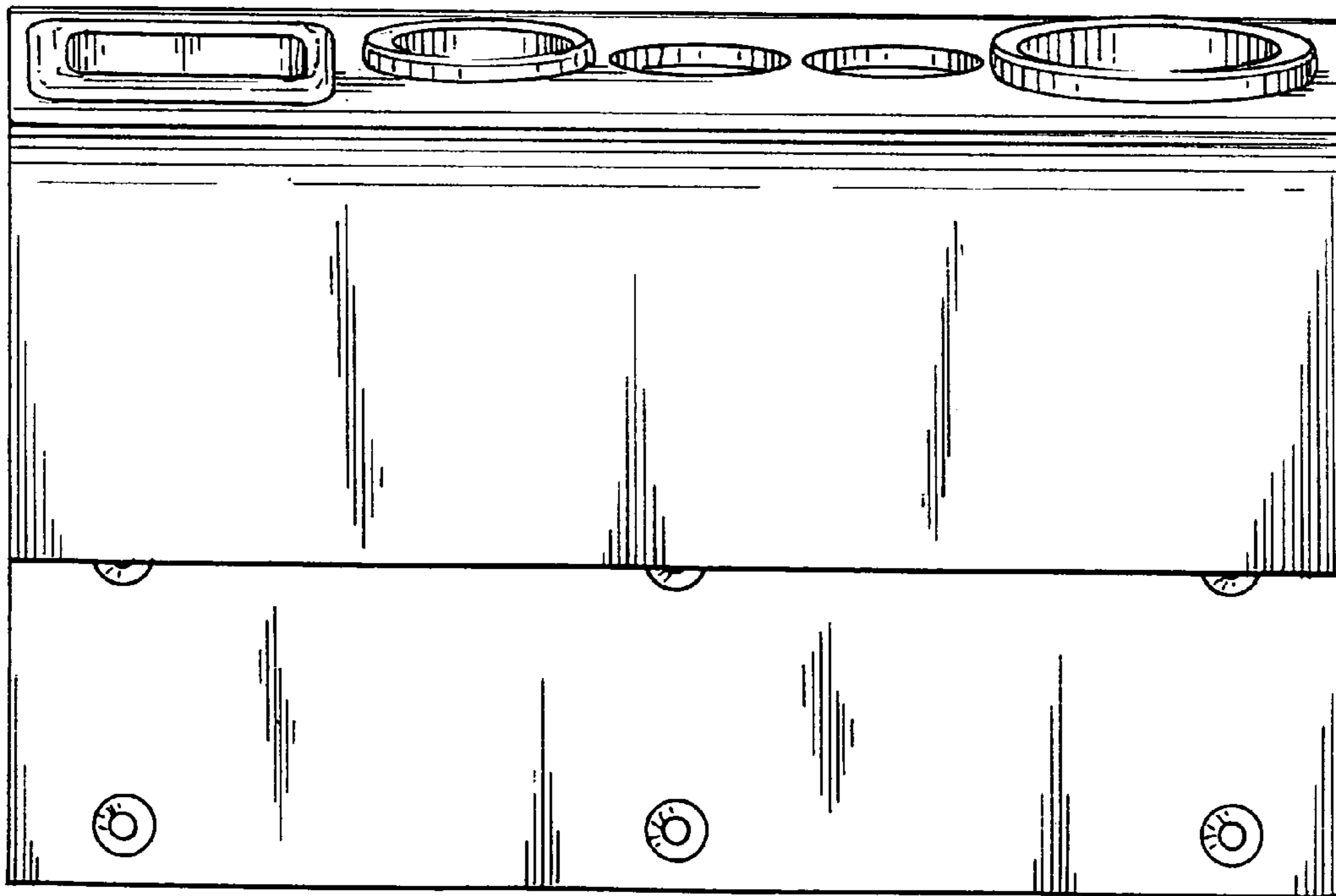


FIG. 2



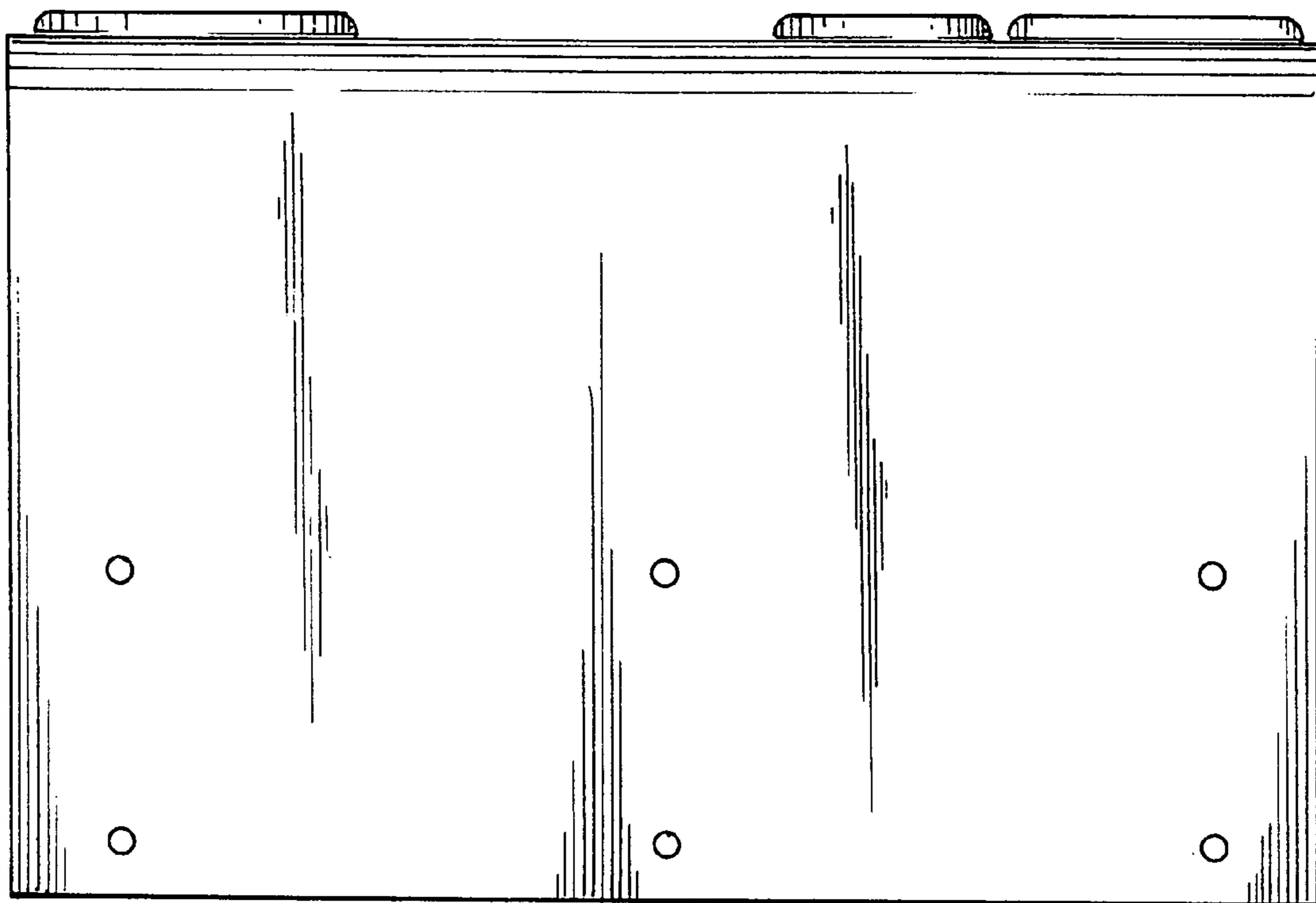


FIG. 3

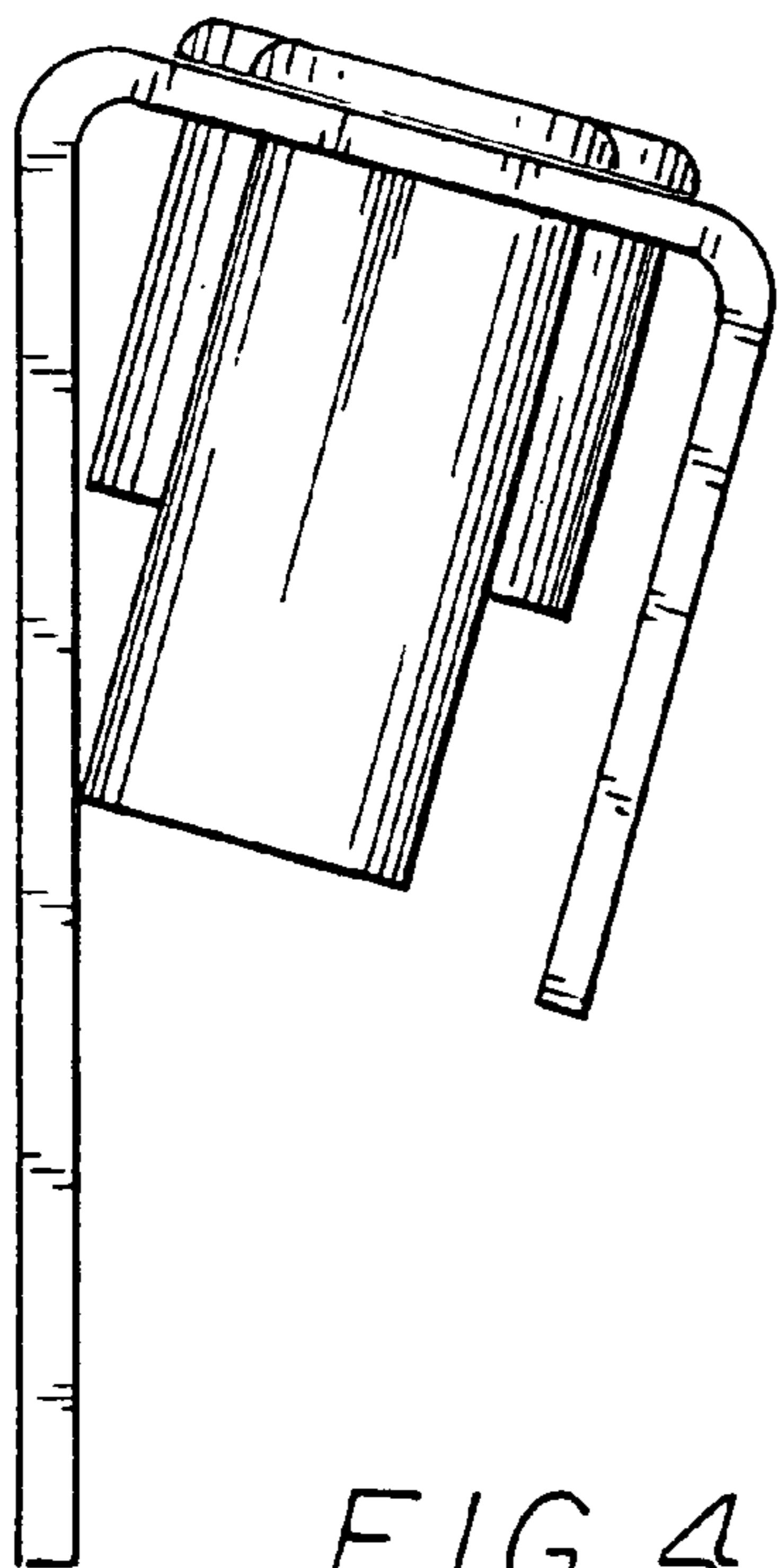


FIG. 4

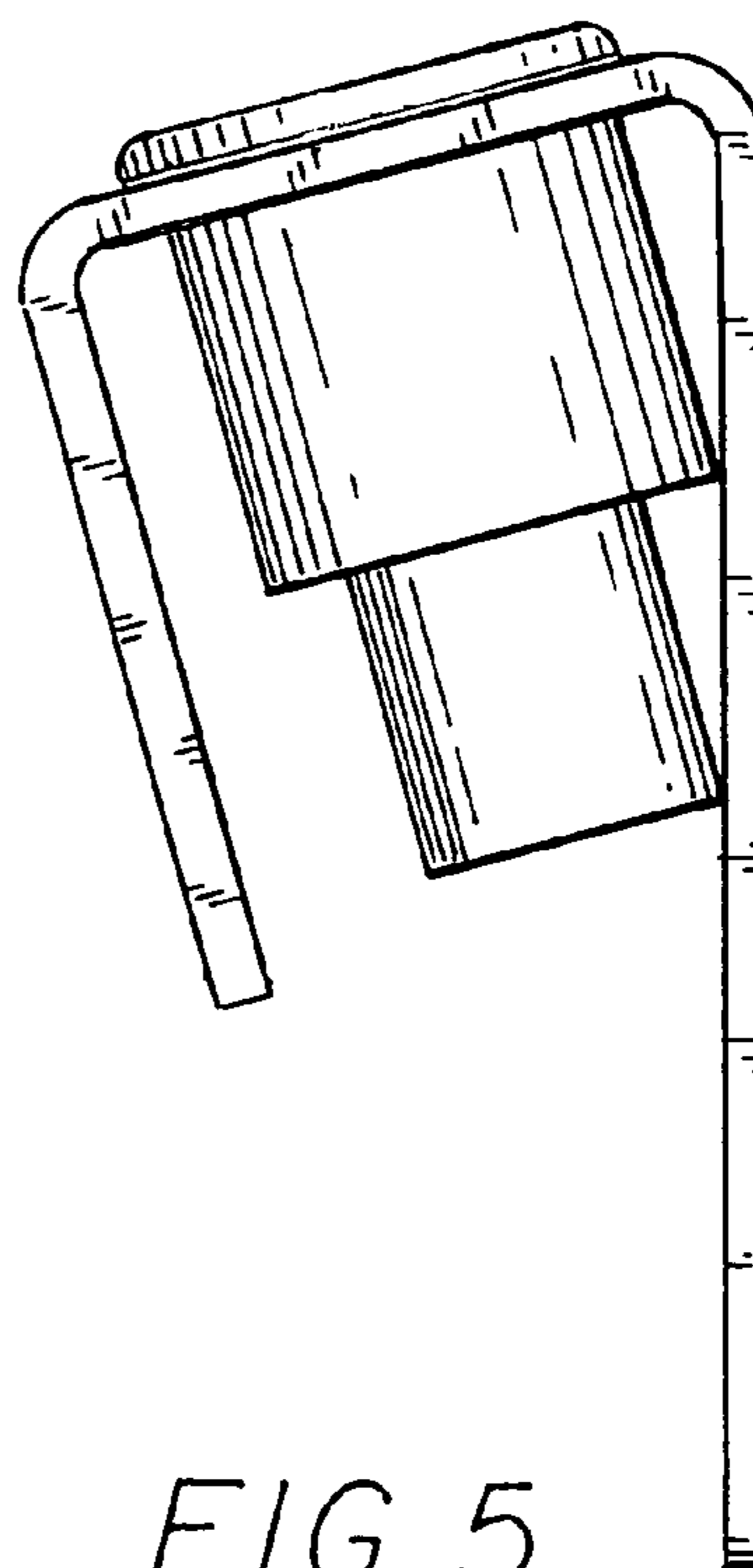


FIG. 5

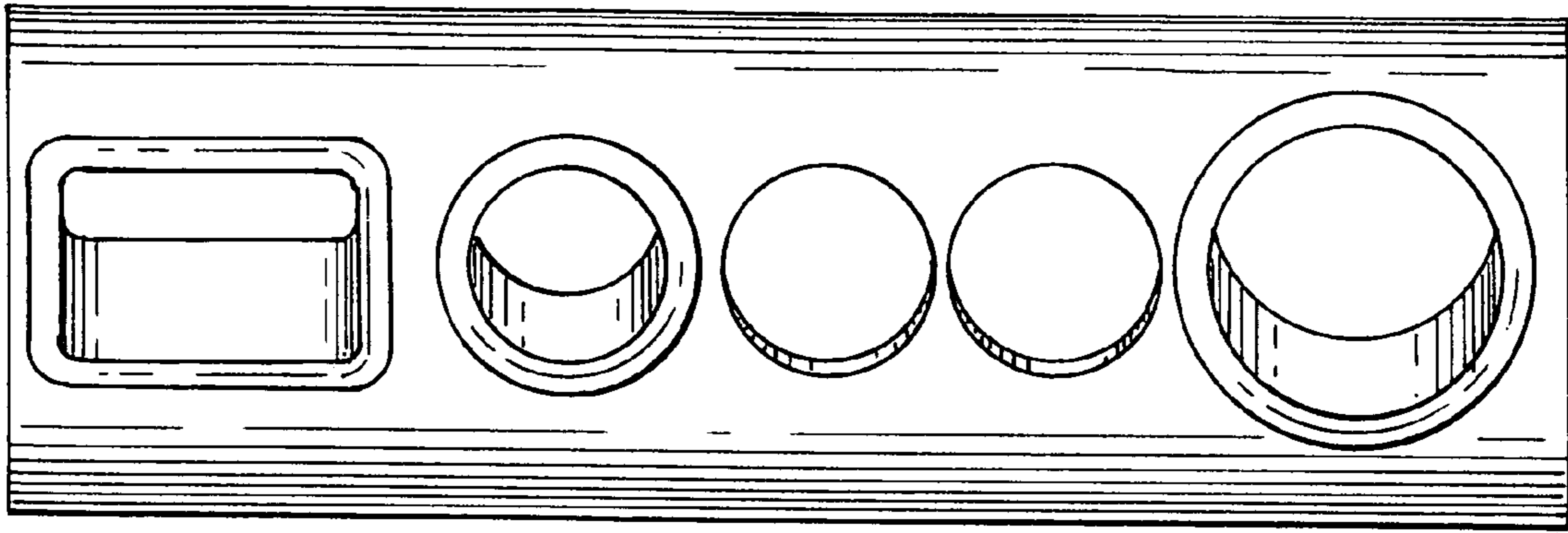


FIG. 6

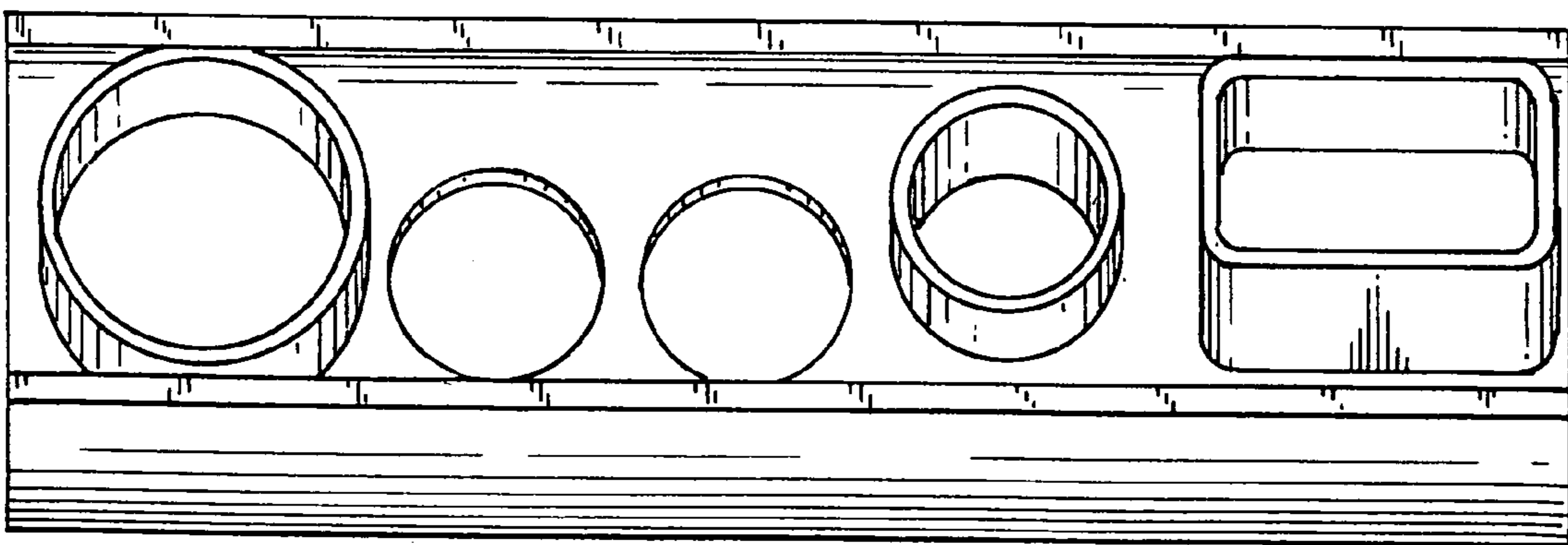


FIG. 7