



US00D584851S

(12) **United States Design Patent**  
**Keller**

(10) **Patent No.:** **US D584,851 S**  
(45) **Date of Patent:** **\*\* Jan. 13, 2009**

(54) **LUMINAIRE**

(75) Inventor: **Charles Keller**, St. Gallen (AT)

(73) Assignee: **Zumtobel Lighting GmbH**, Dornbim (AT)

(\*\*) Term: **14 Years**

(21) Appl. No.: **29/306,425**

(22) Filed: **Apr. 9, 2008**

(30) **Foreign Application Priority Data**

Oct. 16, 2007 (EM) ..... 000809074

(51) **LOC (9) Cl.** ..... **26-03**

(52) **U.S. Cl.** ..... **D26/89**

(58) **Field of Classification Search** ..... D26/72,  
D26/86-92, 118; 362/147, 404, 440, 450,  
362/452, 362, 350

See application file for complete search history.

(56) **References Cited**

U.S. PATENT DOCUMENTS

D86,313 S \* 2/1932 Hollister ..... D26/88  
D132,865 S \* 6/1942 Drollinger ..... D14/209  
D220,207 S \* 3/1971 Edman et al. .... D26/67  
D222,103 S \* 9/1971 Anderson, Jr. .... D26/85  
D268,876 S \* 5/1983 Leithauser, Jr. .... D26/72  
4,403,278 A \* 9/1983 Flood ..... 362/396  
D294,976 S \* 3/1988 Ewing ..... D26/85  
D324,924 S \* 3/1992 Bengochea ..... D26/88

5,465,199 A \* 11/1995 Bray et al. .... 362/364  
D420,163 S \* 2/2000 Fouke ..... D26/88  
D433,526 S \* 11/2000 Minissi et al. .... D26/88

\* cited by examiner

*Primary Examiner*—Clare E Heflin

(74) *Attorney, Agent, or Firm*—Marshall, Gerstein & Borun LLP

(57) **CLAIM**

The ornamental design for a luminaire, as shown.

**DESCRIPTION**

FIG. 1 is a bottom and one side perspective view of the luminaire showing the new design;

FIG. 2 is a perspective view from the same side and above the luminaire.

FIG. 3 is an elevational view of the side of the luminaire seen in the front of FIG. 1.

FIG. 4 is an elevational view of the side of the luminaire seen on the right side of FIG. 1.

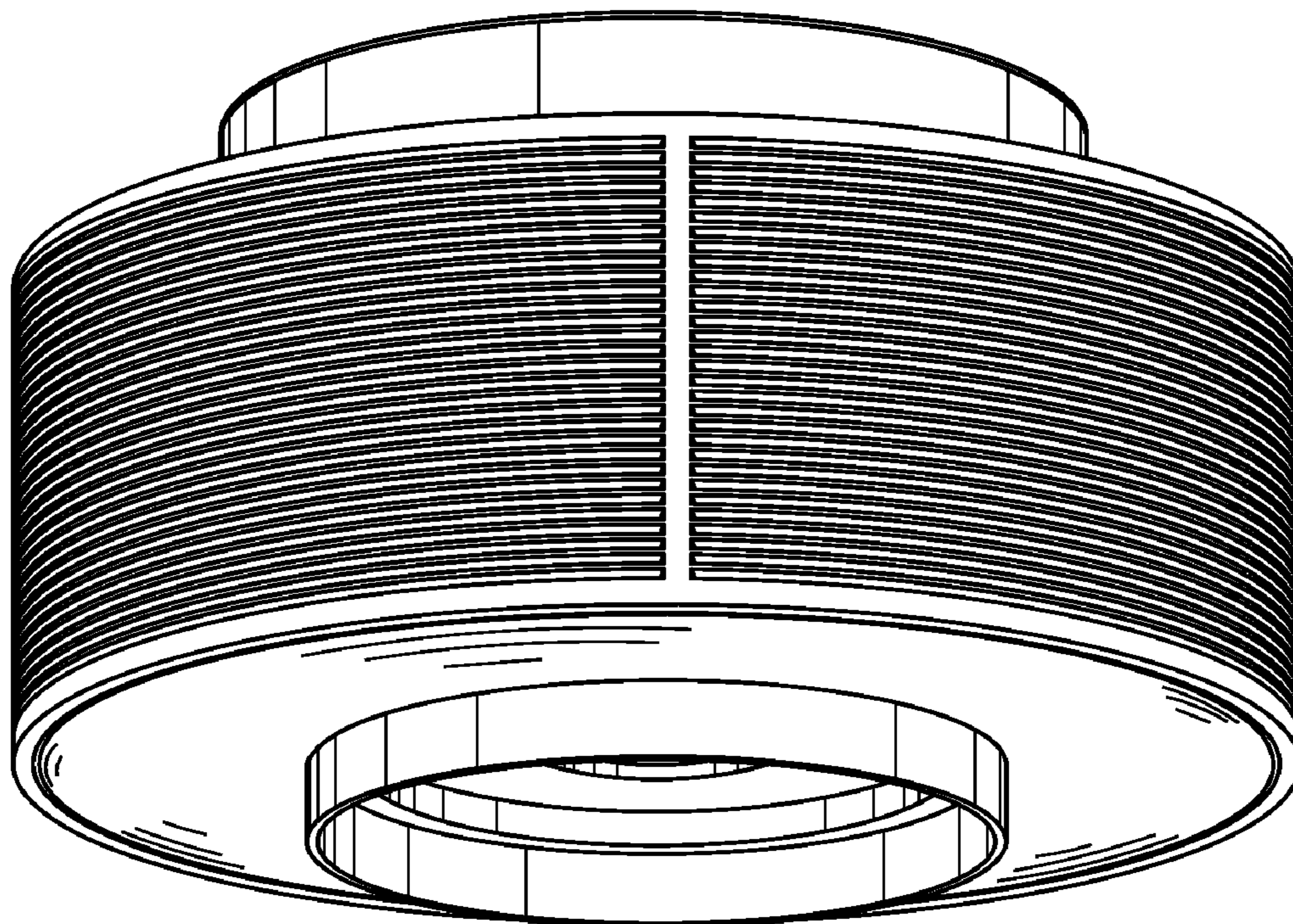
FIG. 5 is an elevational view of the side of the luminaire seen in the back of FIG. 1.

FIG. 6 is an elevational view of the side of the luminaire seen on the left side of FIG. 1.

FIG. 7 is a bottom view of the luminaire; and,

FIG. 8 is a top view of the luminaire.

**1 Claim, 6 Drawing Sheets**



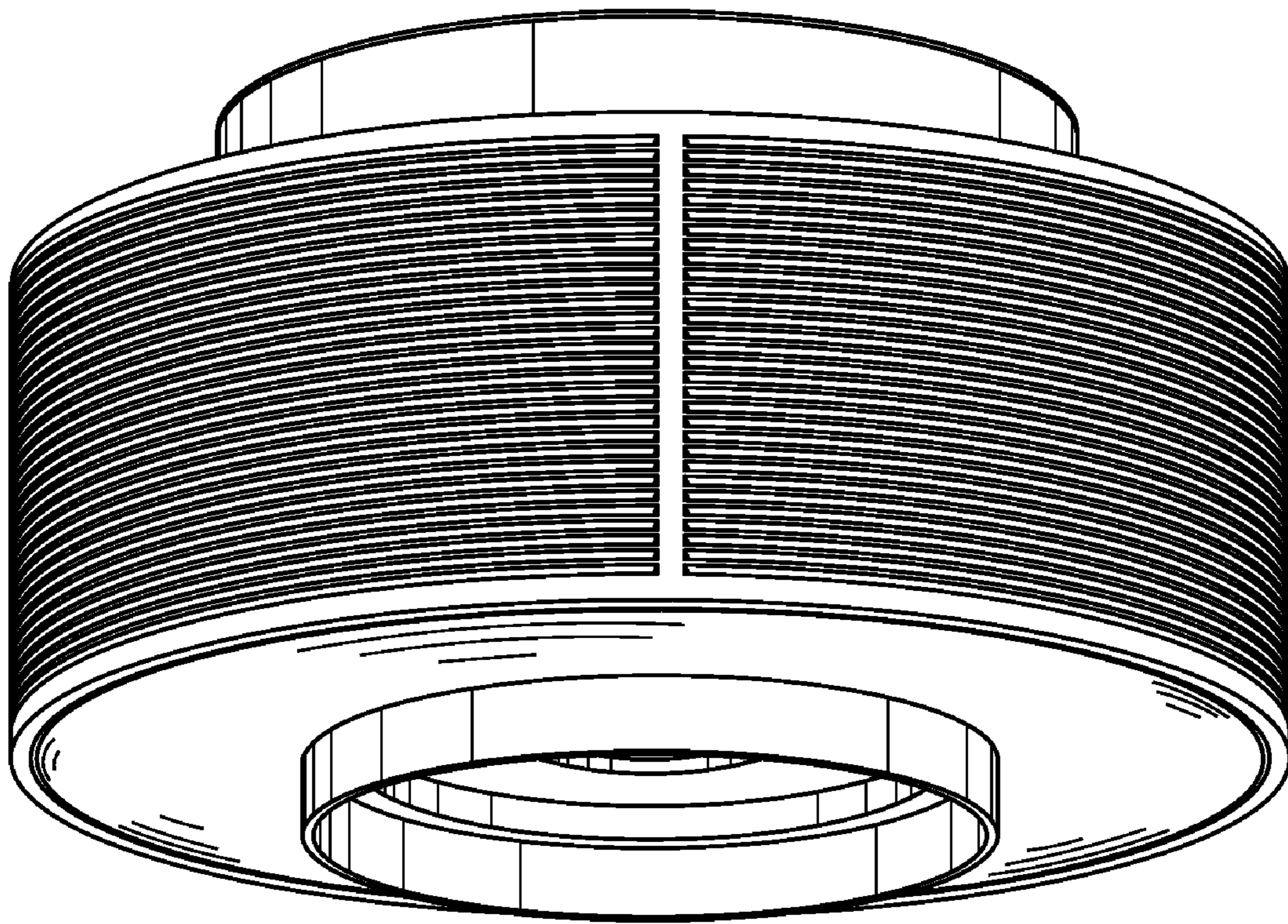


Fig. 1



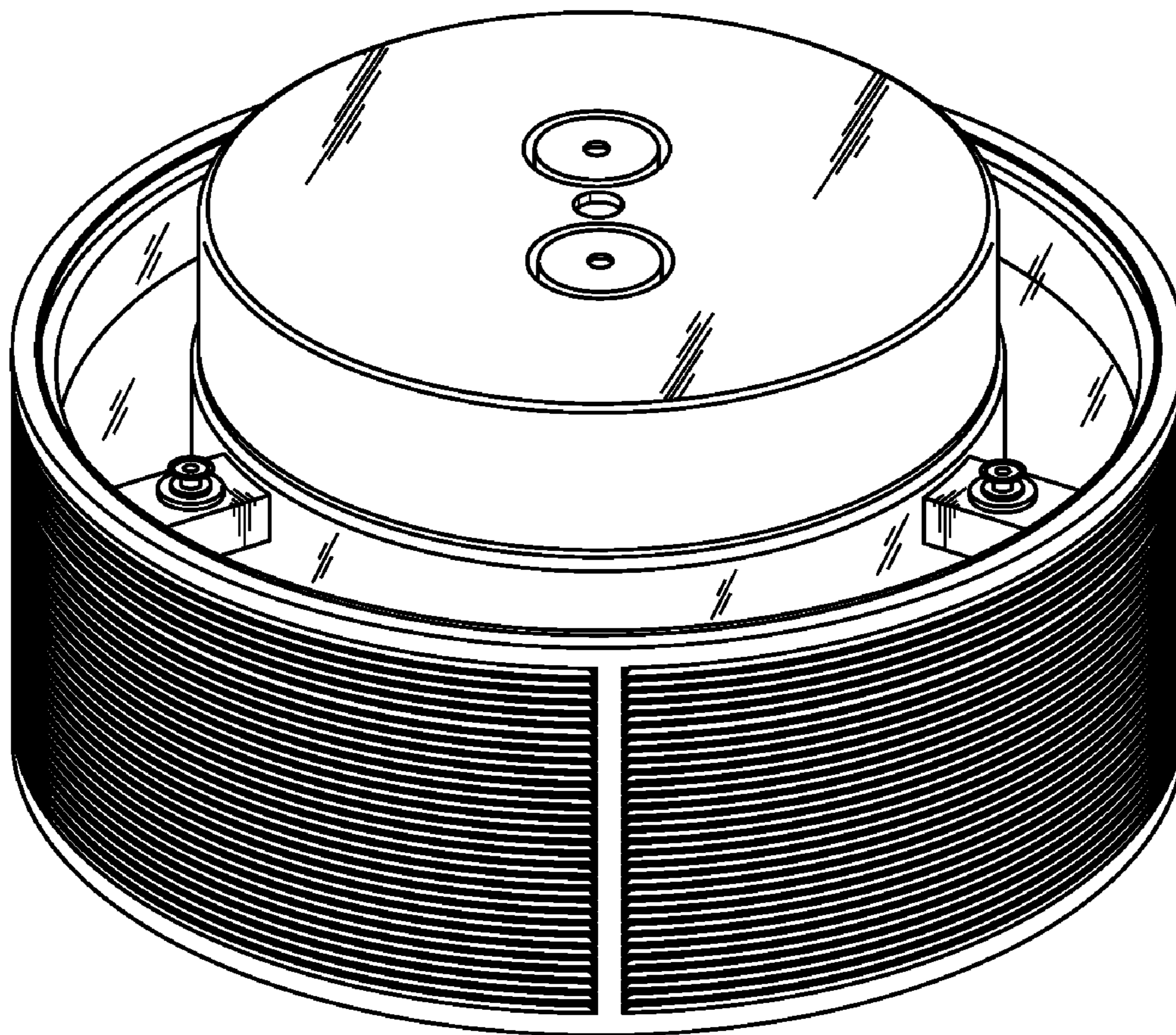


Fig. 2

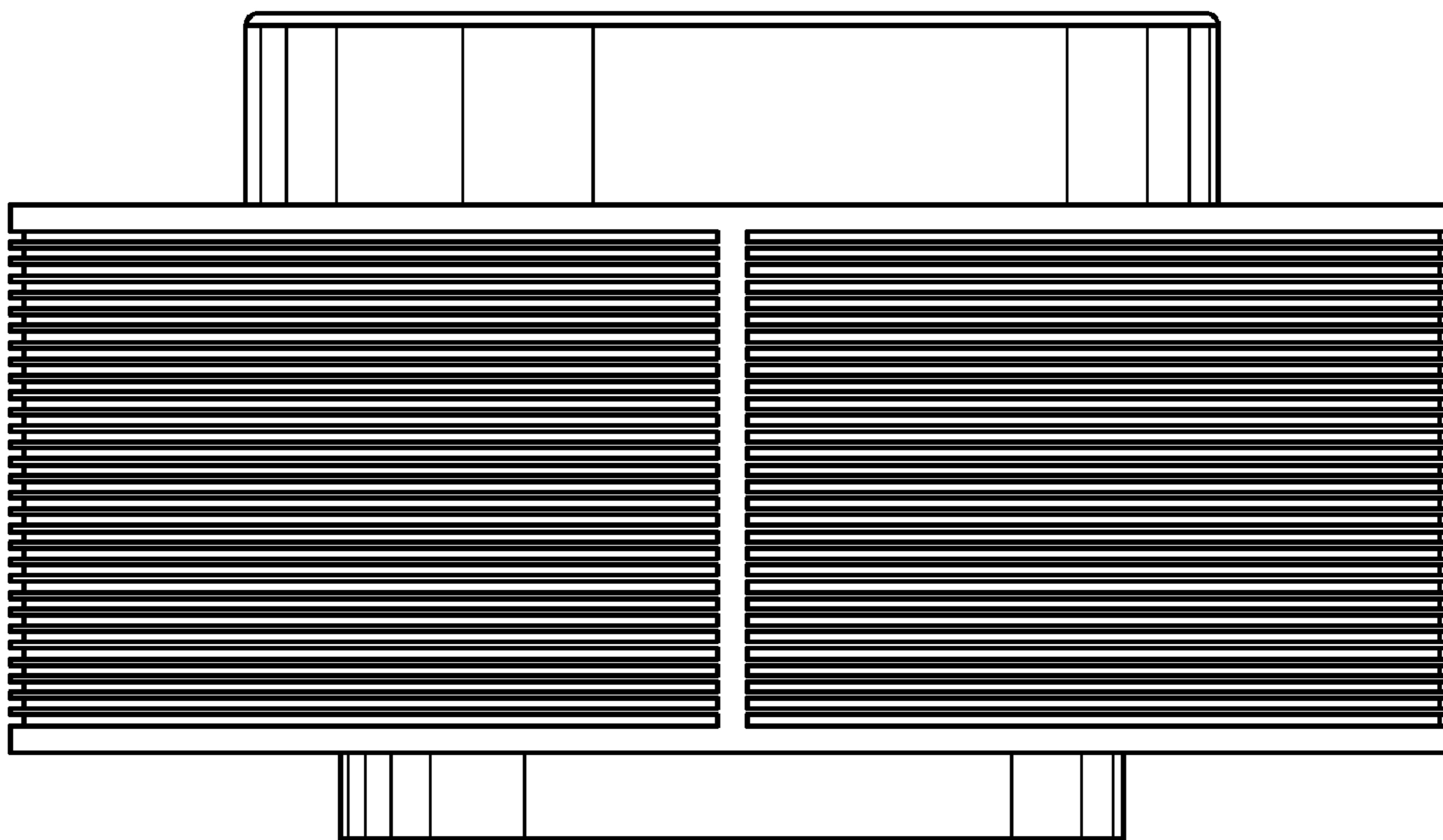


Fig. 3

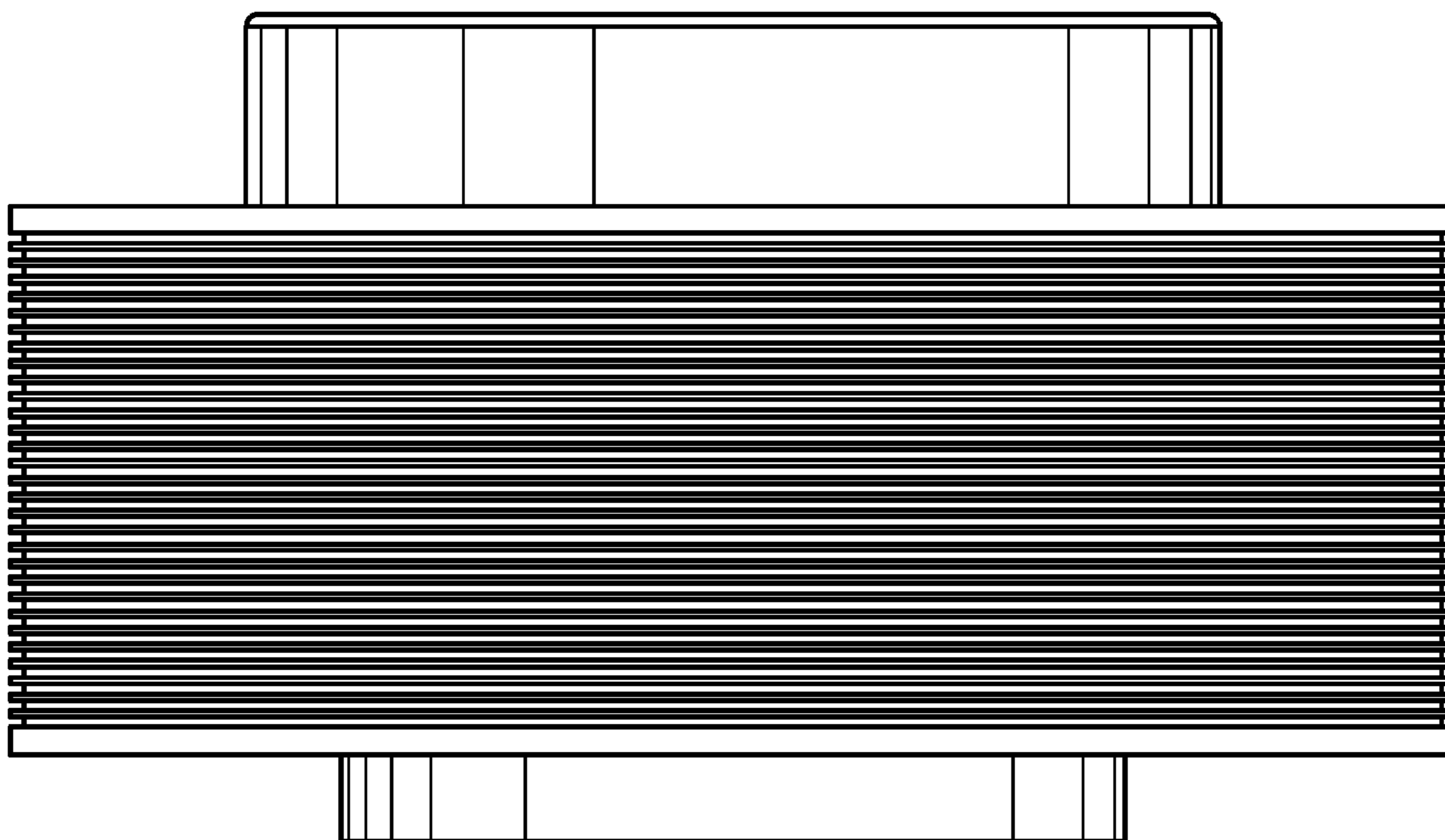


Fig. 4

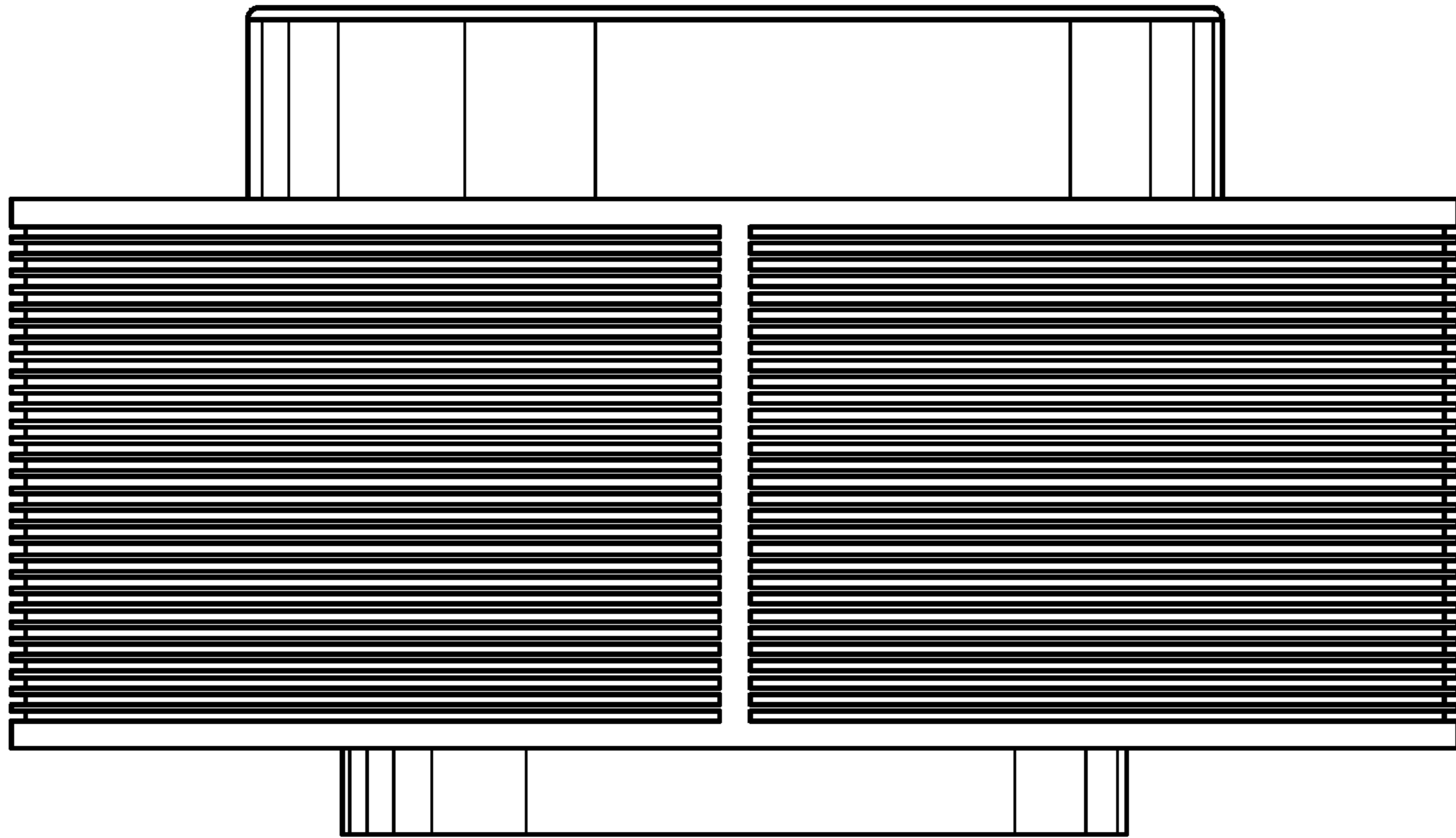


Fig. 5

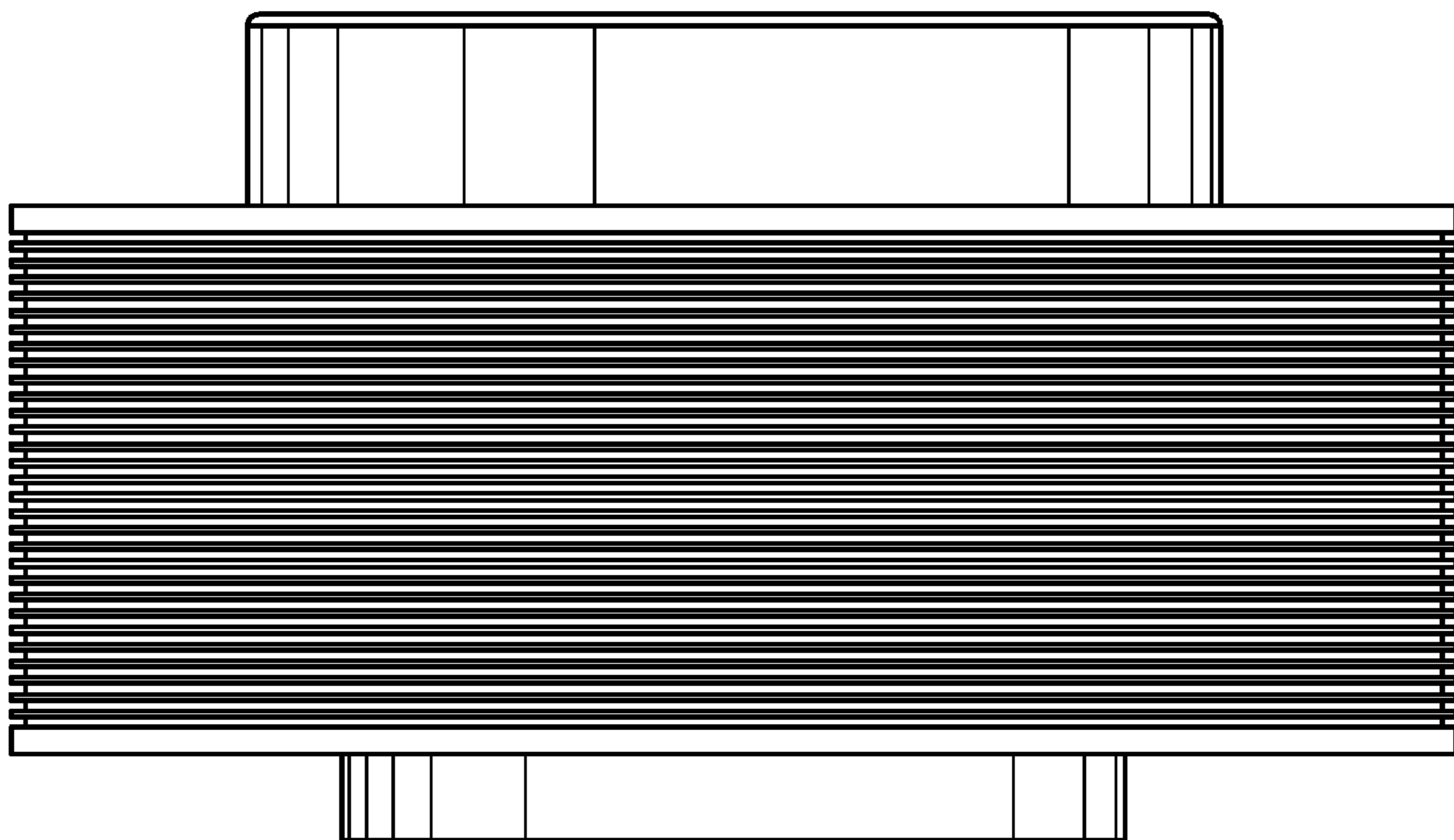


Fig. 6

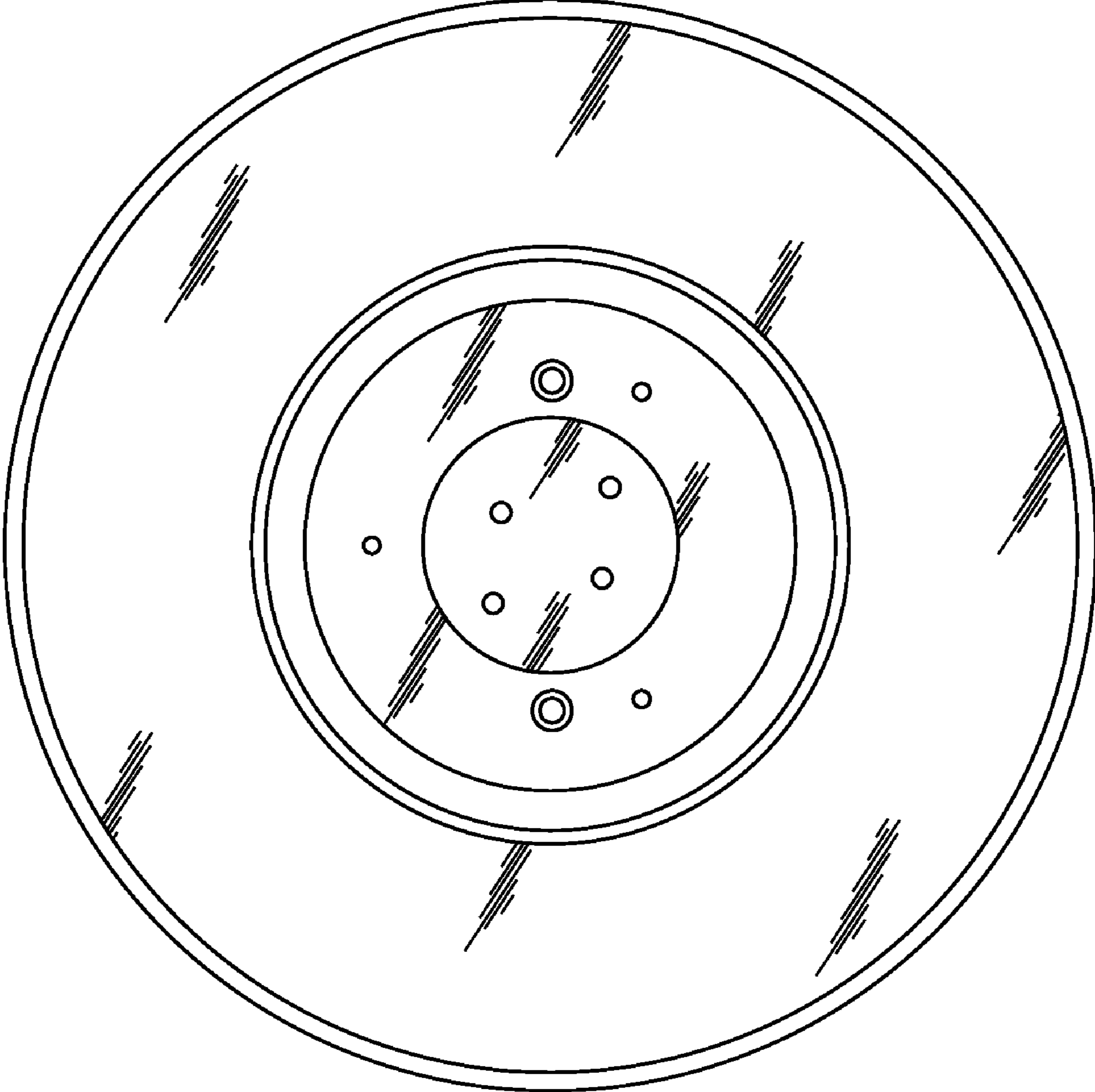


Fig. 7

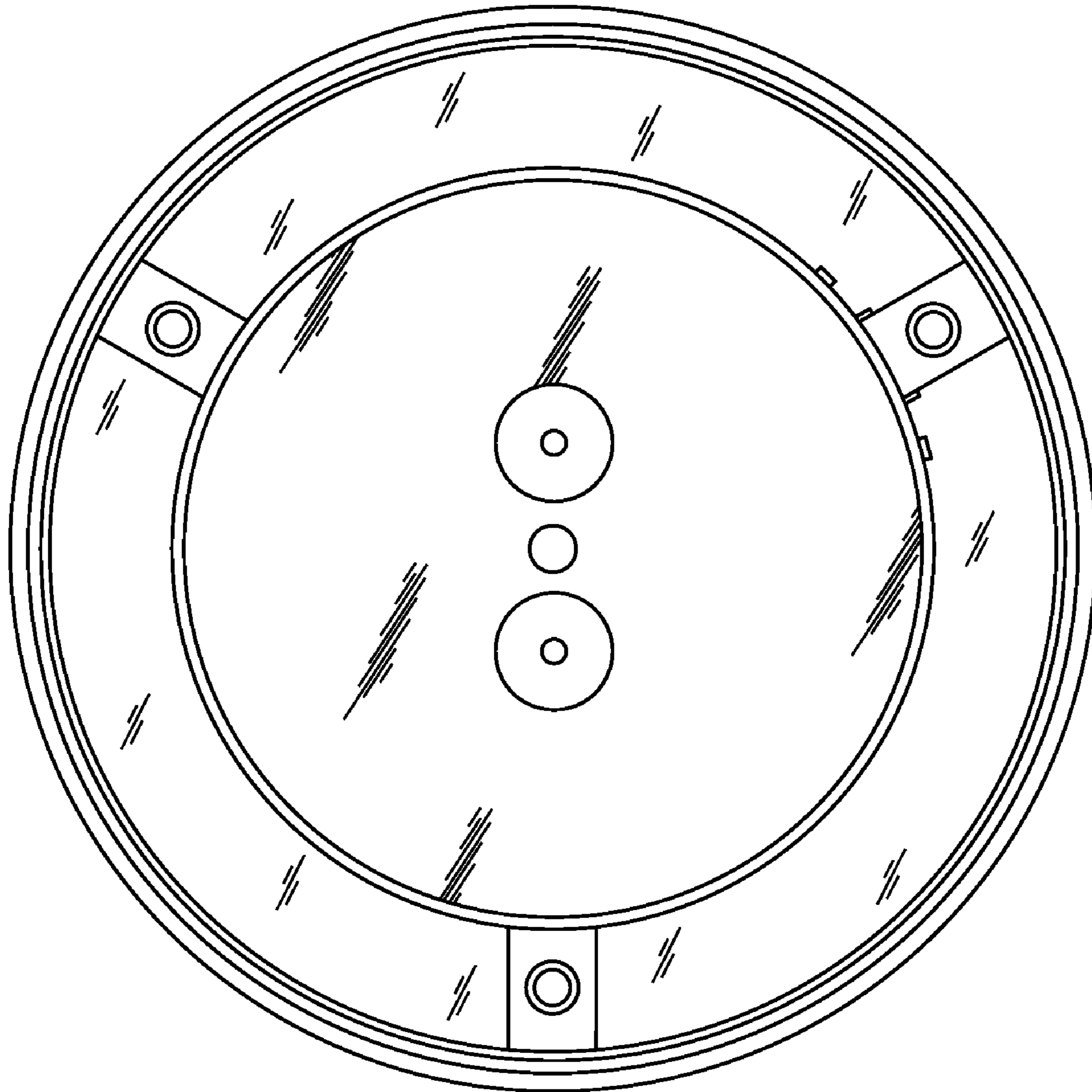


Fig. 8