



US00D584848S

(12) **United States Design Patent**  
**Menke**

(10) **Patent No.:** **US D584,848 S**  
(45) **Date of Patent:** **\*\* Jan. 13, 2009**

(54) **LIGHTING FIXTURE**

(75) Inventor: **Matthias Menke**, Hard (AT)

(73) Assignee: **Zumtobel Lighting GmbH**, Dornbirn (AT)

(\*\*) Term: **14 Years**

(21) Appl. No.: **29/304,359**

(22) Filed: **Feb. 29, 2008**

(51) **LOC (9) Cl.** ..... **26-03**

(52) **U.S. Cl.** ..... **D26/88; D26/76**

(58) **Field of Classification Search** ..... **D26/72, D26/76, 86, 88, 89, 90, 91, 118, 120; 362/147, 362/404, 440, 442, 450, 452**

See application file for complete search history.

(56) **References Cited**

**U.S. PATENT DOCUMENTS**

D139,670 S \* 12/1944 Lippincott ..... D26/76

(Continued)

\* cited by examiner

*Primary Examiner*—Clare E Heflin

(74) *Attorney, Agent, or Firm*—Marshall, Gerstein & Borun LLP

(57) **CLAIM**

The ornamental design for a lighting fixture, as shown and described.

**DESCRIPTION**

FIG. 1 is a top perspective view of a lighting fixture that has the design.

FIG. 2 is a bottom perspective view of the lighting fixture.

FIG. 3 is a side elevational view of the lighting fixture, the opposite side view being identical.

FIG. 4 is a top plan view of the lighting fixture.

FIG. 5 is a bottom plan view of the lighting fixture.

FIG. 6 is an end elevational view of the lighting fixture, the opposite end view being identical.

FIG. 7 is a top perspective view of a second embodiment of lighting fixture that has the design.

FIG. 8 is a bottom perspective view of that lighting fixture.

FIG. 9 is a side elevational view of that lighting fixture, the opposite side view being identical.

FIG. 10 is a top plan view of that lighting fixture.

FIG. 11 is a bottom plan view of that lighting fixture.

FIG. 12 is an end elevational view of that lighting fixture, the opposite end view being identical.

FIG. 13 is a top perspective view of a third embodiment of lighting fixture that has the design.

FIG. 14 is a bottom perspective view of that lighting fixture.

FIG. 15 is a side elevational view of that lighting fixture, the opposite side view being identical.

FIG. 16 is a top plan view of that lighting fixture.

FIG. 17 is a bottom plan view of that lighting fixture.

FIG. 18 is an end elevational view of that lighting fixture, the opposite end view being identical.

FIG. 19 is a top perspective view of a fourth embodiment of lighting fixture that has the design.

FIG. 20 is a bottom perspective view of that lighting fixture.

FIG. 21 is a side elevational view of that lighting fixture, the opposite side view being identical.

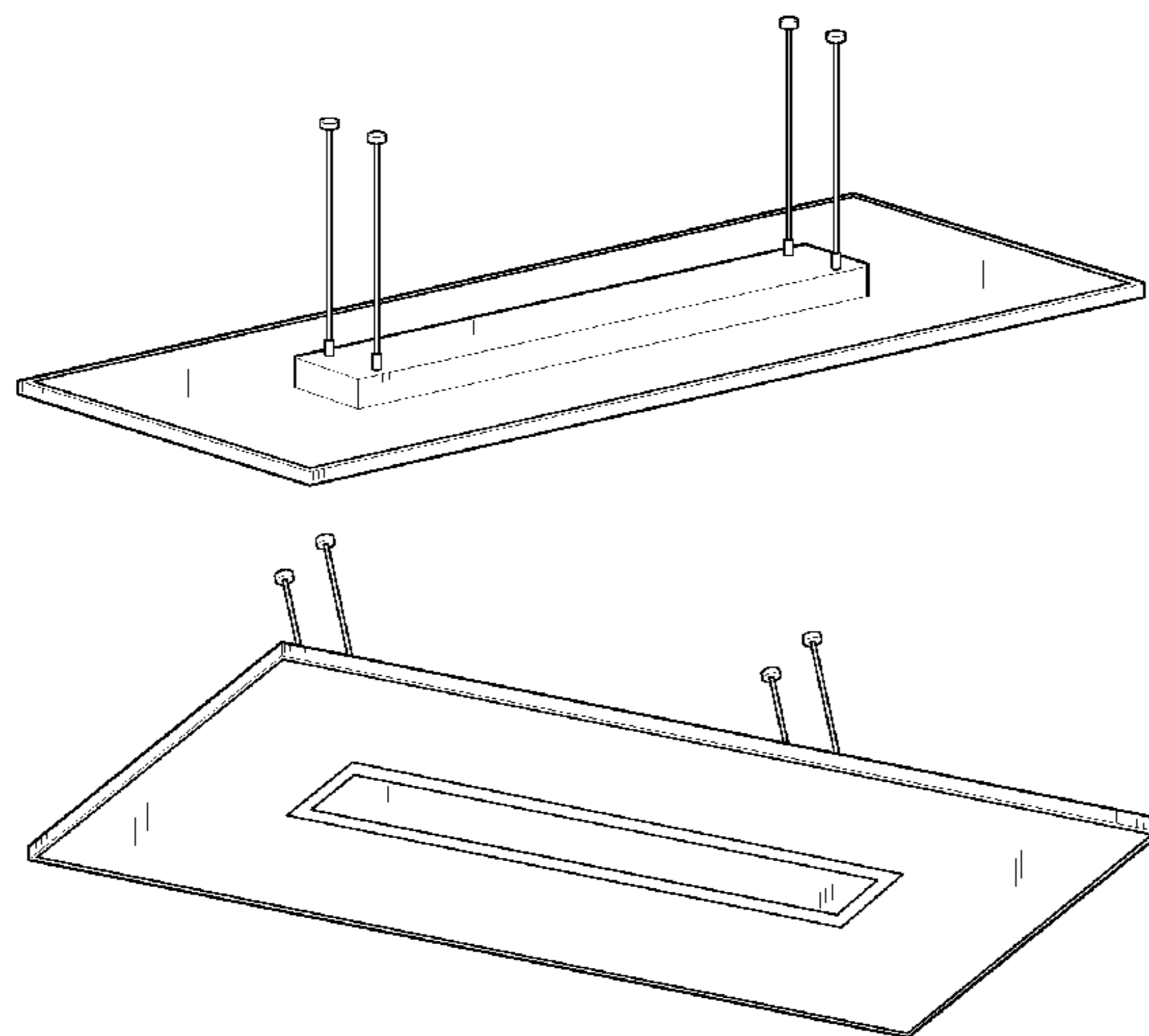
FIG. 22 is a top plan view of that lighting fixture.

FIG. 23 is a bottom plan view of that lighting fixture; and,

FIG. 24 is an end elevational view of that lighting fixture, the opposite end view being identical.

The bottom face of the lighting fixture is generally flat. A thin rim extends around the outer edge and around the illuminated central portion.

**1 Claim, 8 Drawing Sheets**



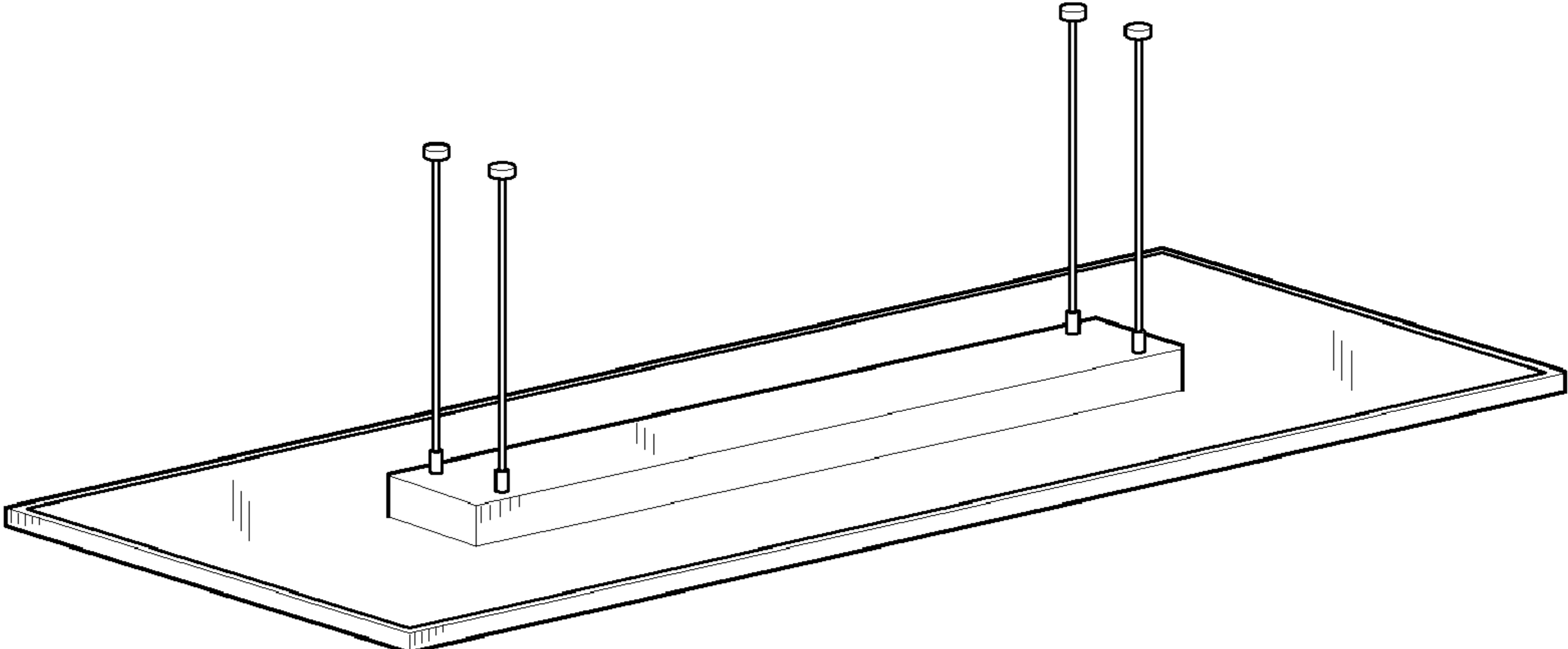
# US D584,848 S

Page 2

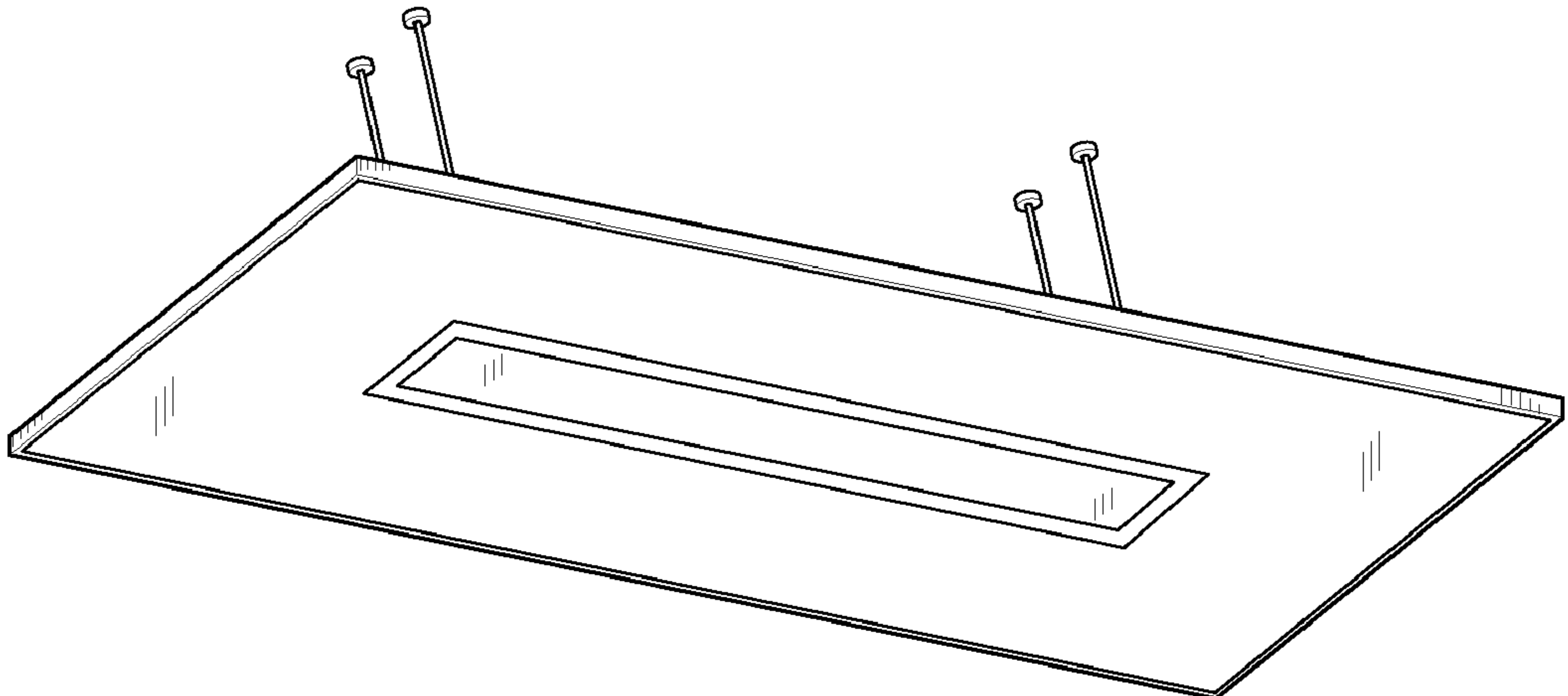
---

## U.S. PATENT DOCUMENTS

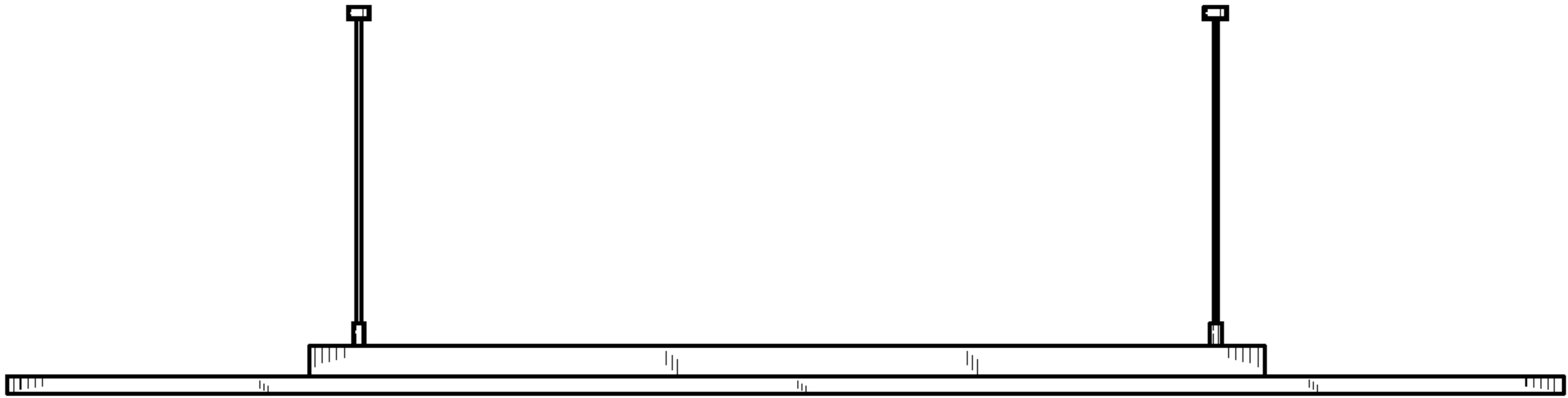
D185,410 S *	6/1959	Bodian et al. ....	D26/76	D330,945 S *	11/1992	Neustadt .....	D26/75
D190,596 S *	6/1961	Franck et al. ....	D26/76	D429,357 S *	8/2000	Grimm .....	D26/76
D320,283 S *	9/1991	Burkarth .....	D26/121	D496,746 S *	9/2004	Herst et al. ....	D26/76
				D537,187 S *	2/2007	Lucatello .....	D26/84
				D547,482 S *	7/2007	Blackman .....	D26/76



**FIG. 1**



**FIG. 2**



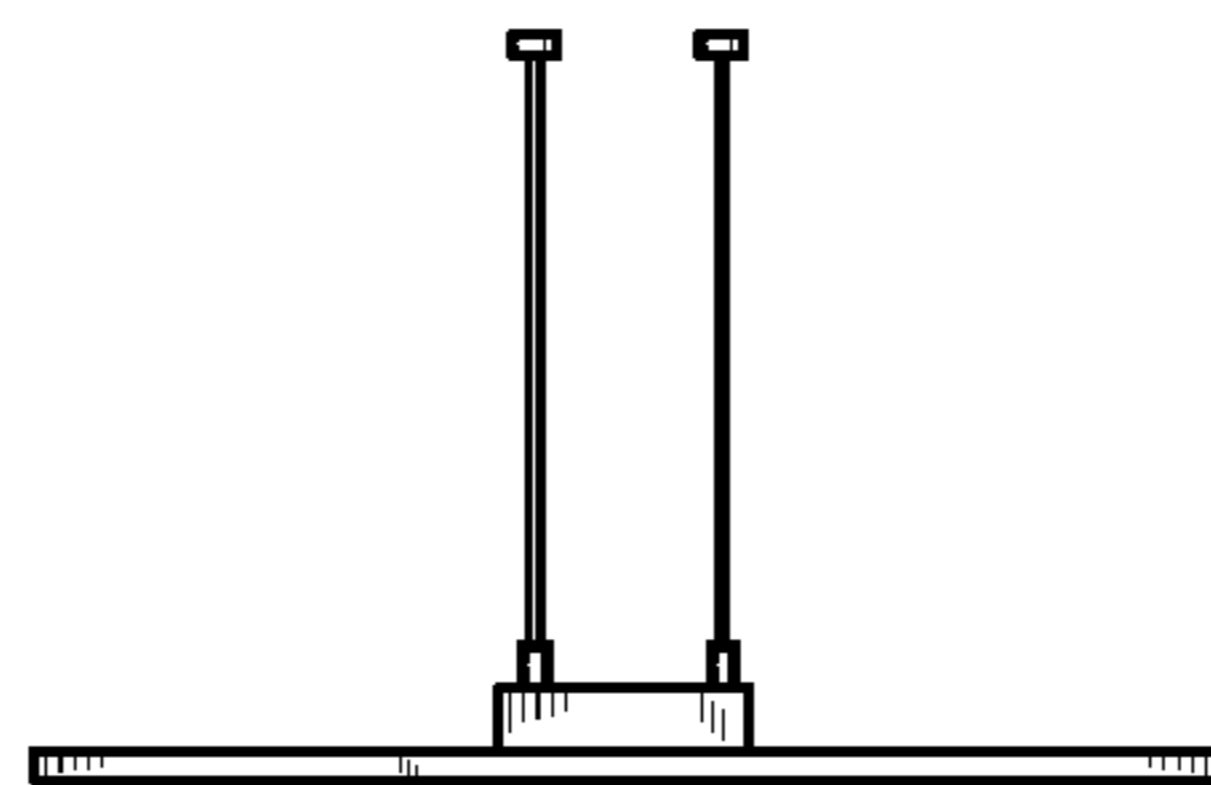
**FIG. 3**



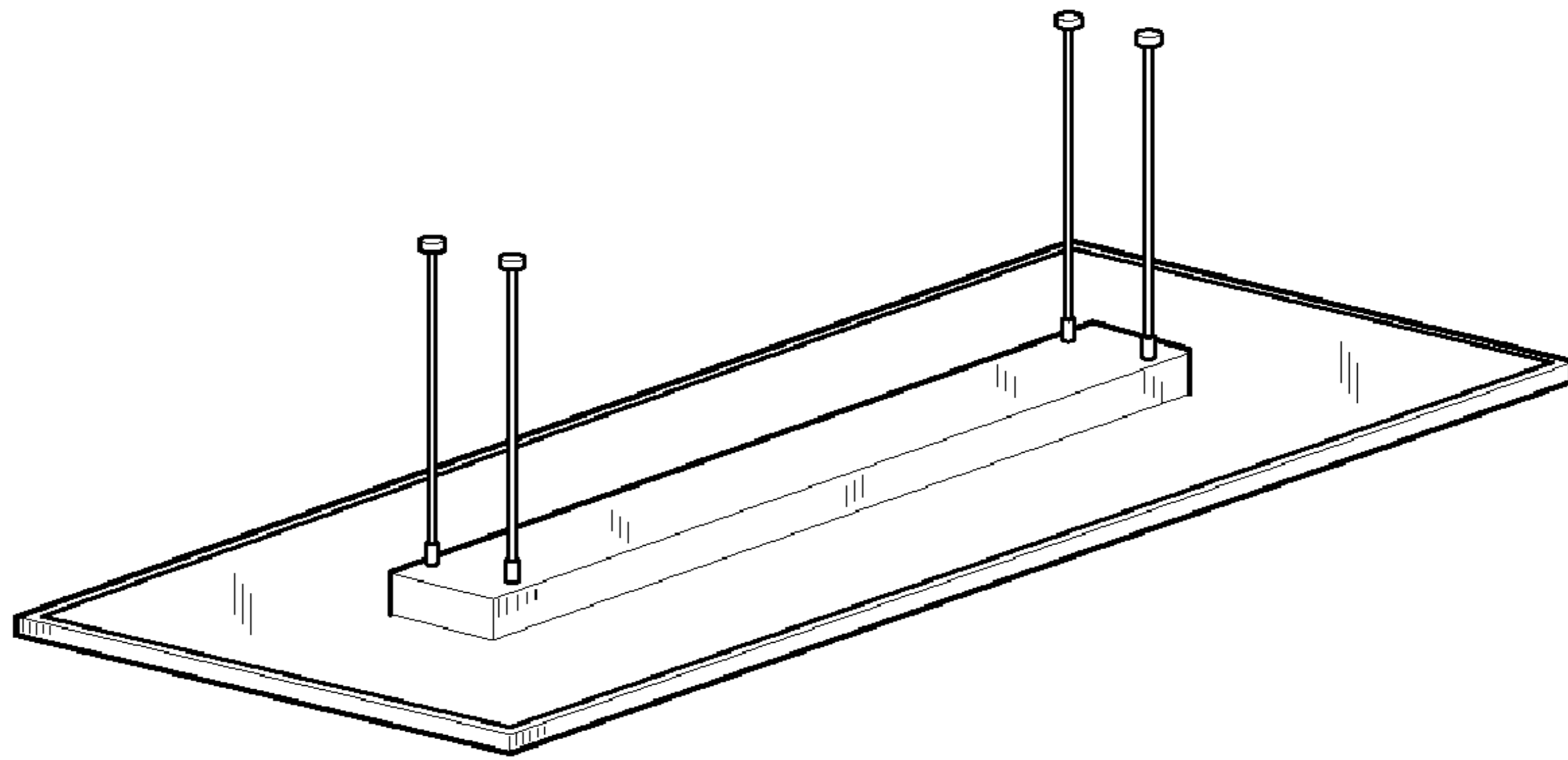
**FIG. 4**



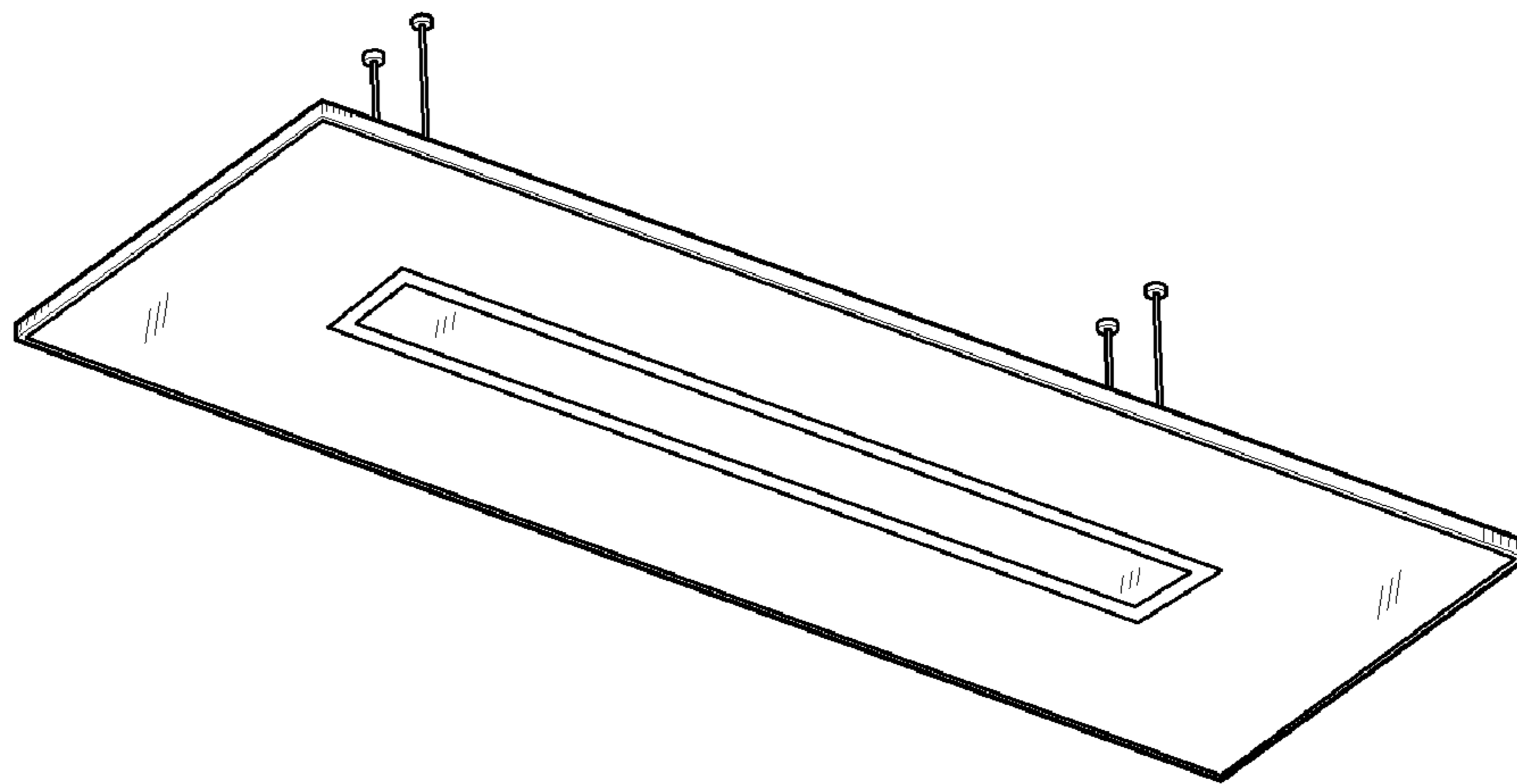
**FIG. 5**



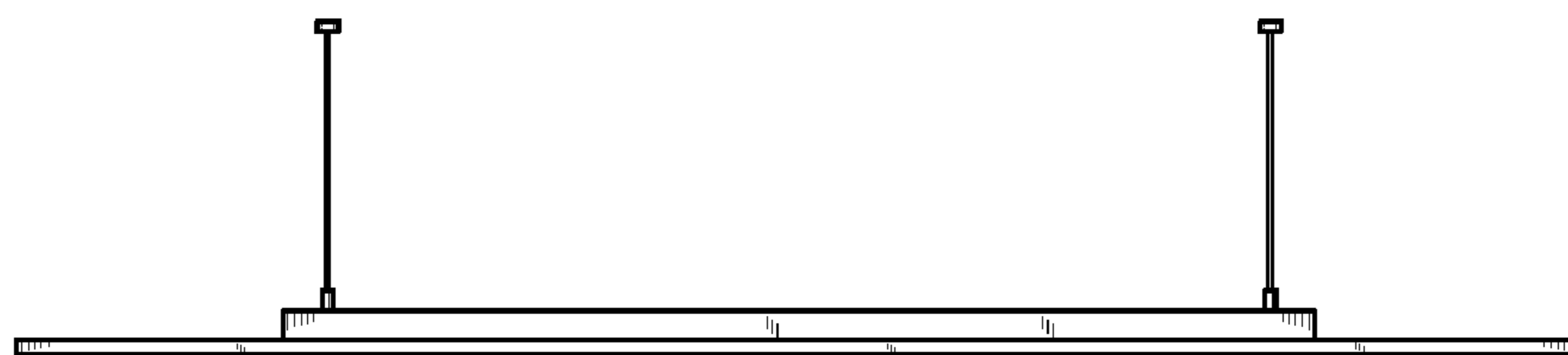
**FIG. 6**



**FIG. 7**



**FIG. 8**



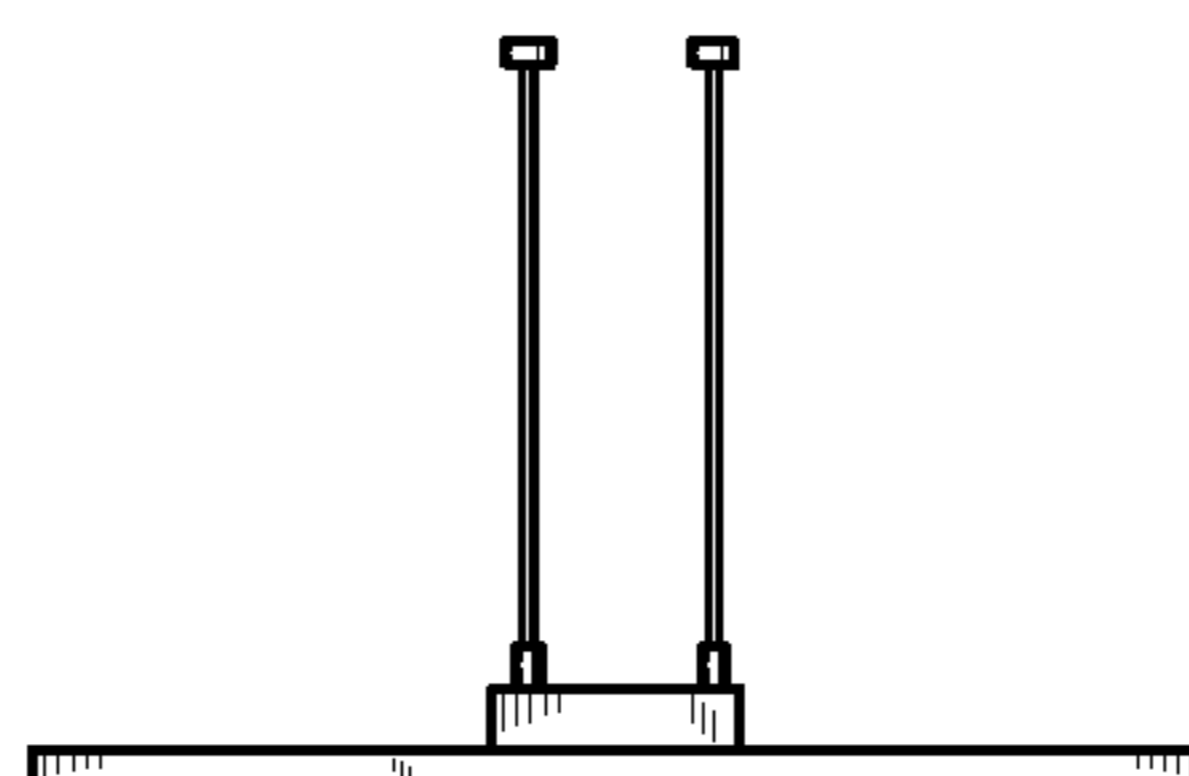
**FIG. 9**



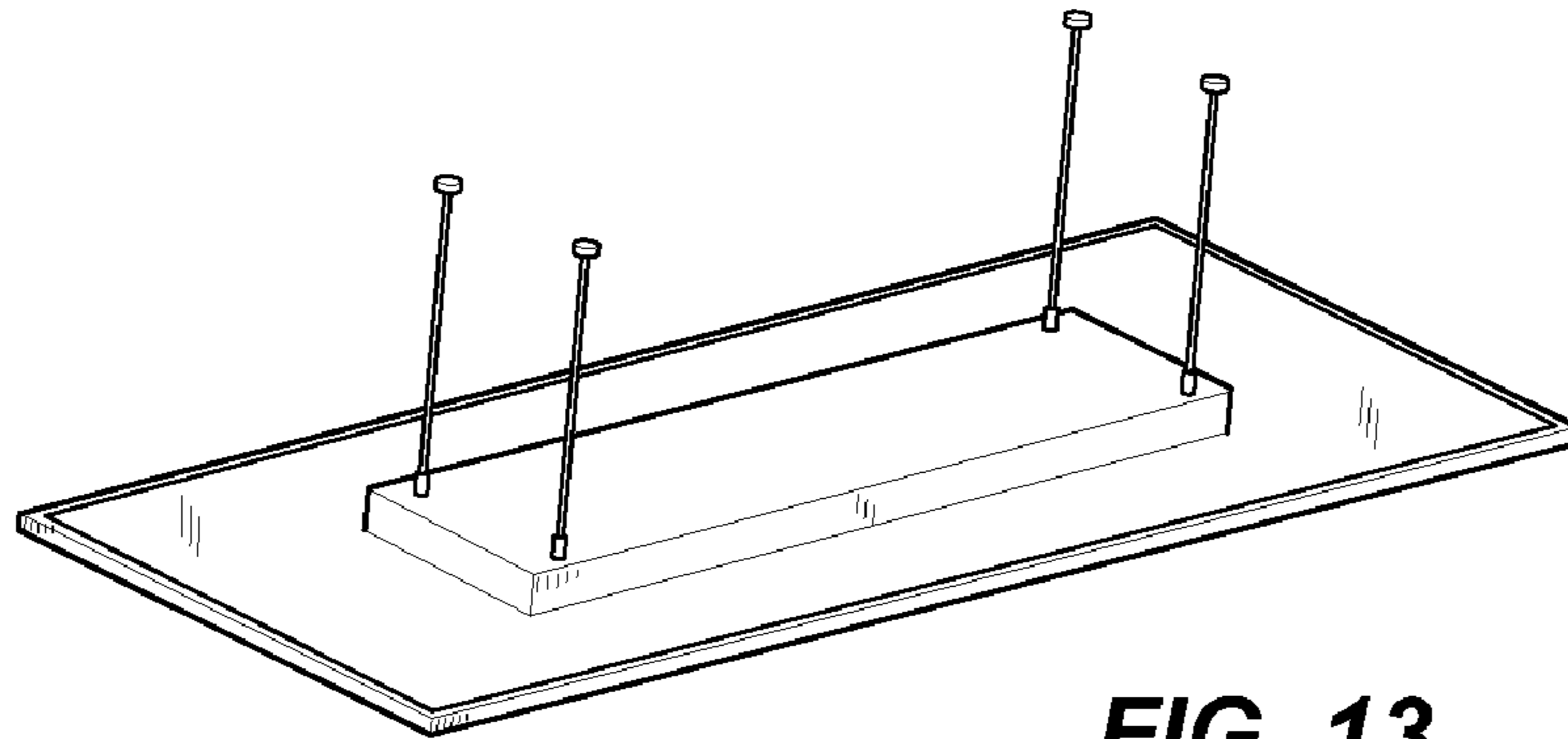
**FIG. 10**



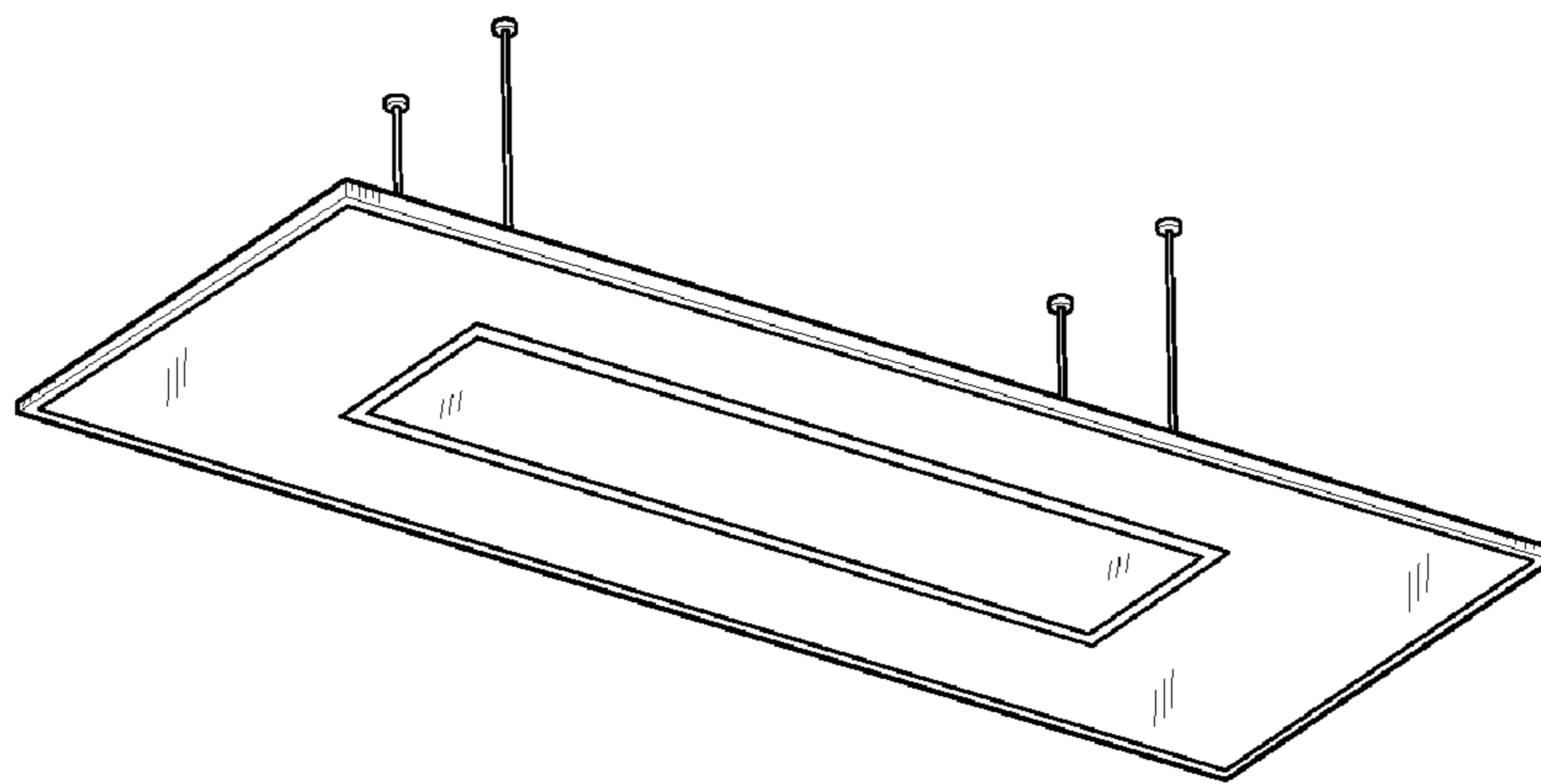
**FIG. 11**



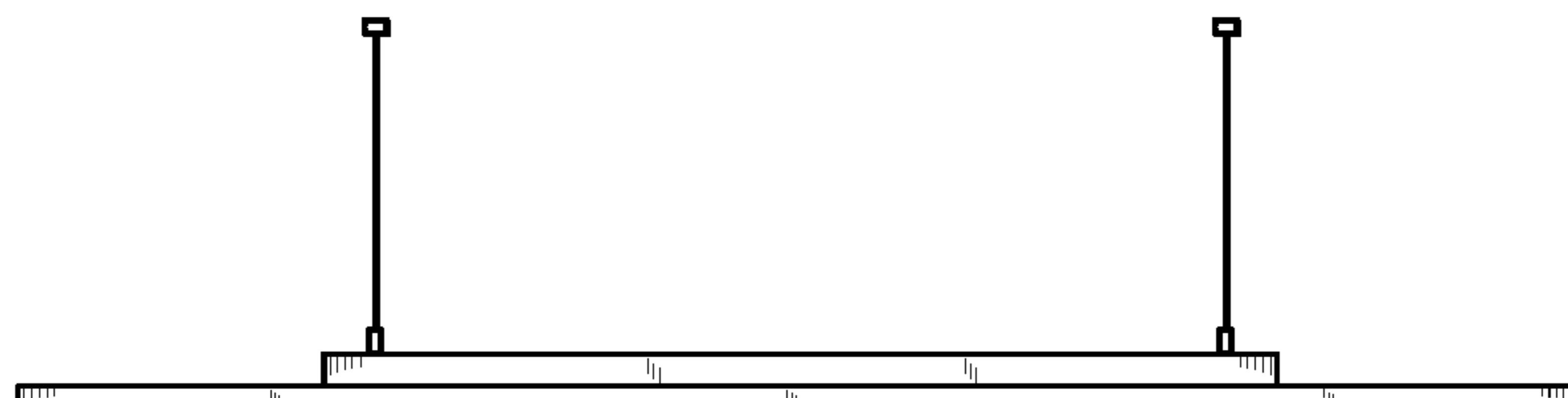
**FIG. 12**



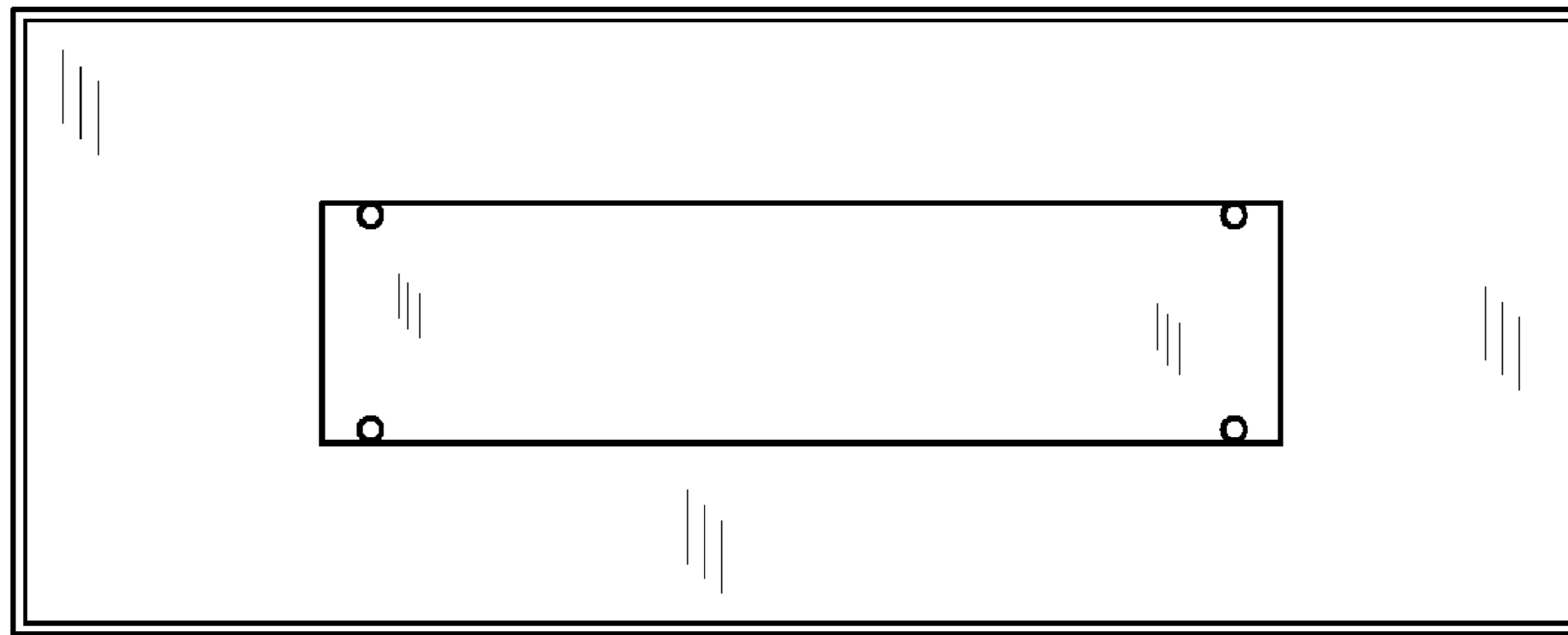
**FIG. 13**



**FIG. 14**



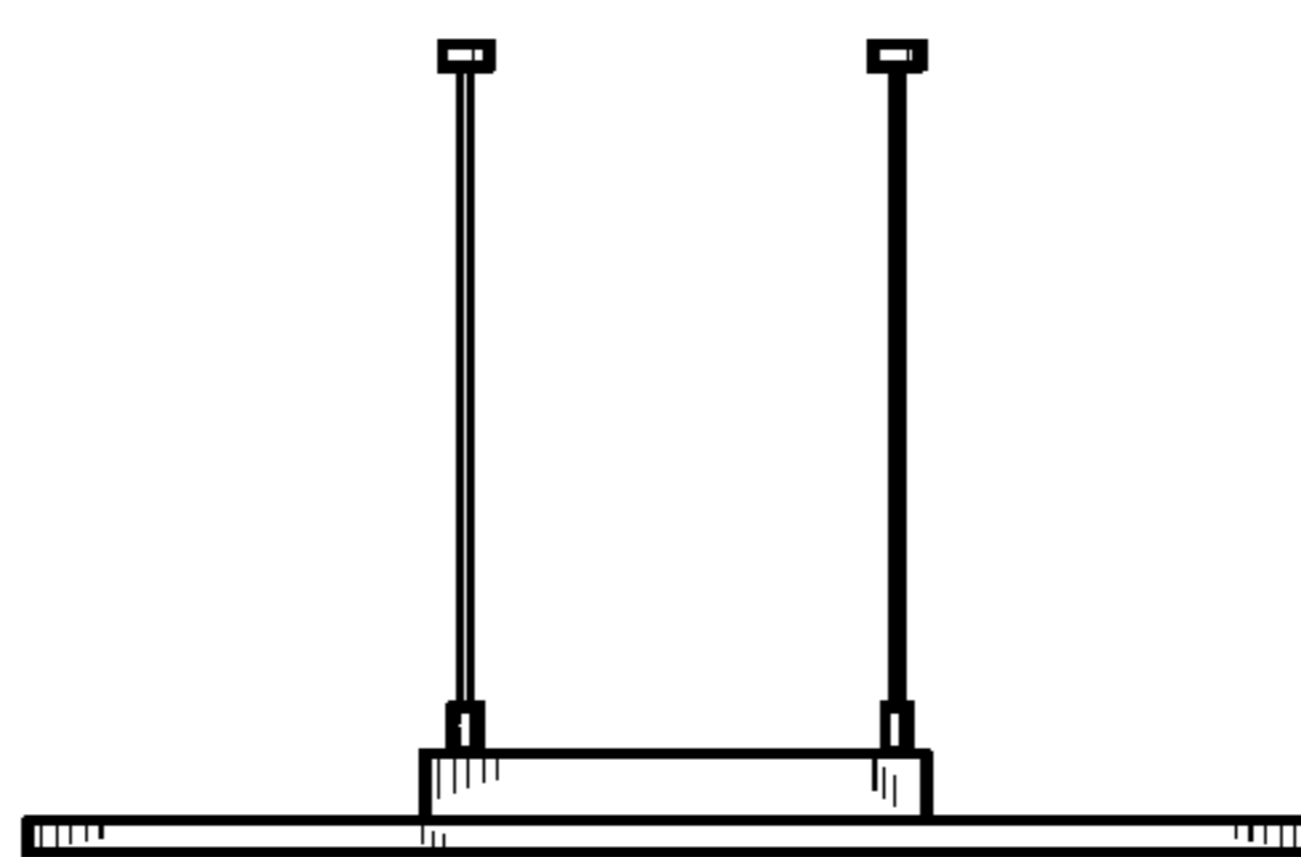
**FIG. 15**



**FIG. 16**

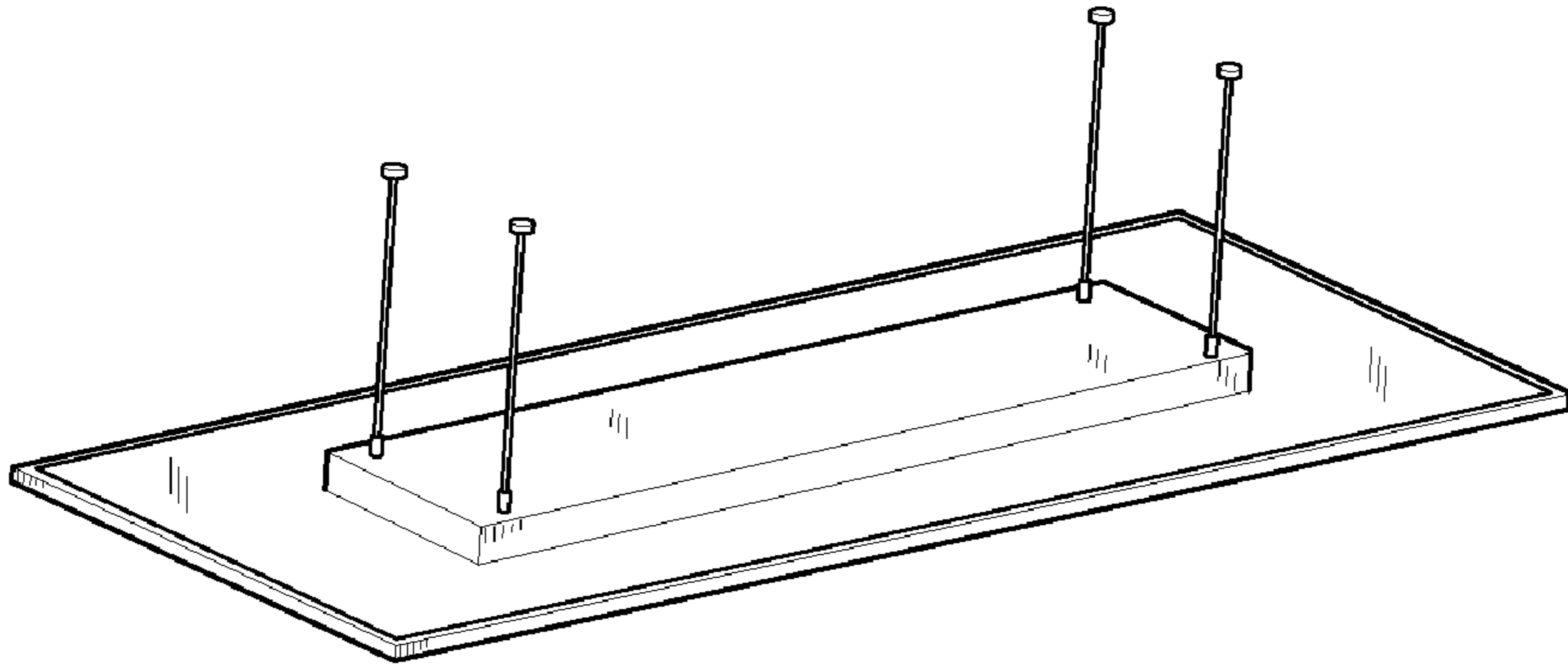


**FIG. 17**

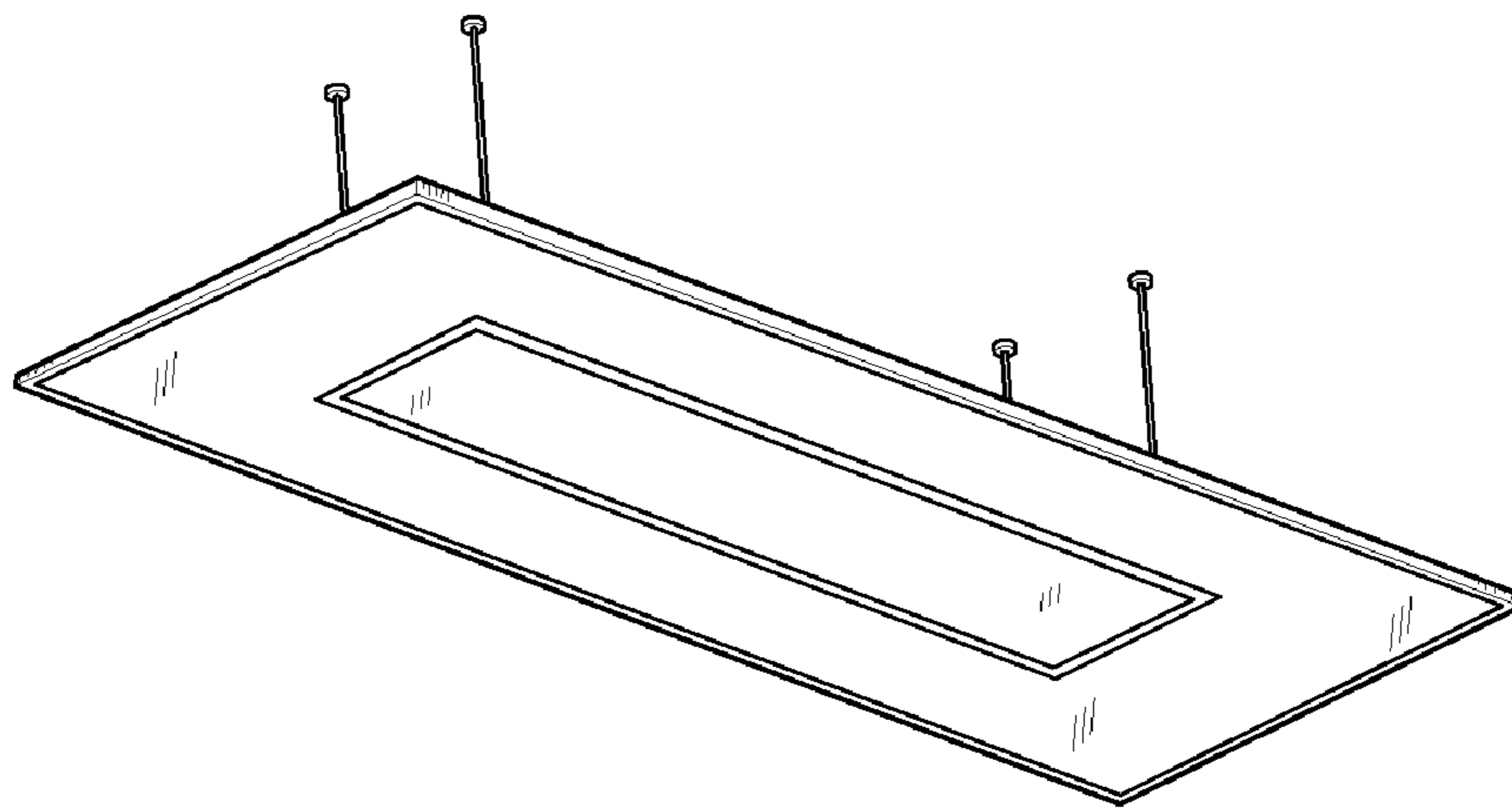


**FIG. 18**





**FIG. 19**



**FIG. 20**



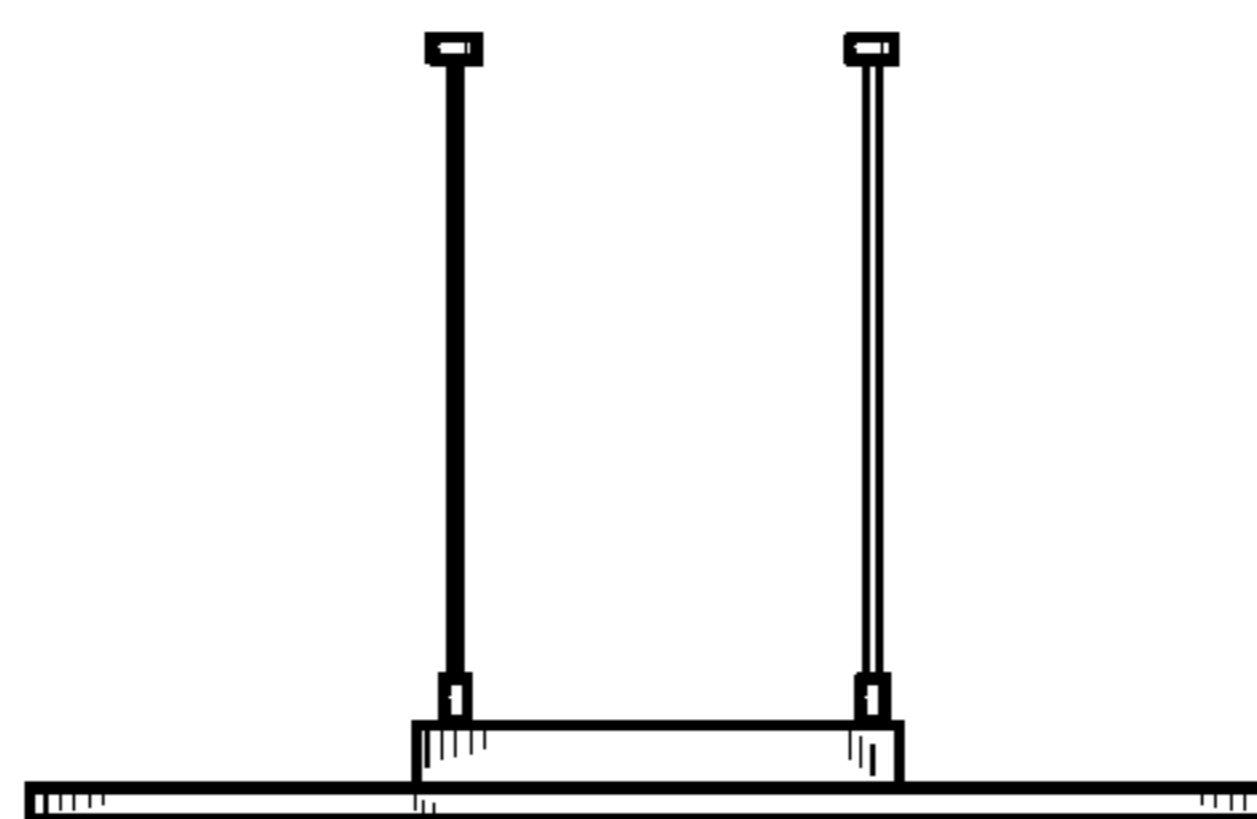
**FIG. 21**



**FIG. 22**



**FIG. 23**



**FIG. 24**