



US00D584847S

(12) **United States Design Patent**  
**Gaskins**

(10) **Patent No.:** **US D584,847 S**

(45) **Date of Patent:** **\*\* Jan. 13, 2009**

(54) **LUMINAIRE**

D565,232 S \* 3/2008 Butler ..... D26/85  
D568,524 S \* 5/2008 Sandell ..... D26/85

(75) Inventor: **Robert Gaskins**, Pleasanton, CA (US)

\* cited by examiner

(73) Assignee: **Genlyte Thomas Group LLC**,  
Louisville, KY (US)

*Primary Examiner*—Clare E Heflin

(74) *Attorney, Agent, or Firm*—John F. Salazar; Middleton  
Reutlinger

(\*\*) Term: **14 Years**

(21) Appl. No.: **29/317,041**

(57) **CLAIM**

(22) Filed: **Apr. 22, 2008**

The ornamental design for a luminaire, as shown and  
described.

(51) **LOC (9) Cl.** ..... **26-03**

(52) **U.S. Cl.** ..... **D26/85**

(58) **Field of Classification Search** ..... D26/72,  
D26/85-92, 24; D10/114; 362/147, 431,  
362/432, 362, 155-157

See application file for complete search history.

**DESCRIPTION**

FIG. 1 is a lower perspective view of a luminaire light fixture  
showing the design of the present invention;

FIG. 2 is a bottom view thereof;

FIG. 3 is a front view thereof;

FIG. 4 is a top view thereof;

FIG. 5 is a rear view thereof;

FIG. 6 is a right side view thereof; and,

FIG. 7 is a left side view thereof.

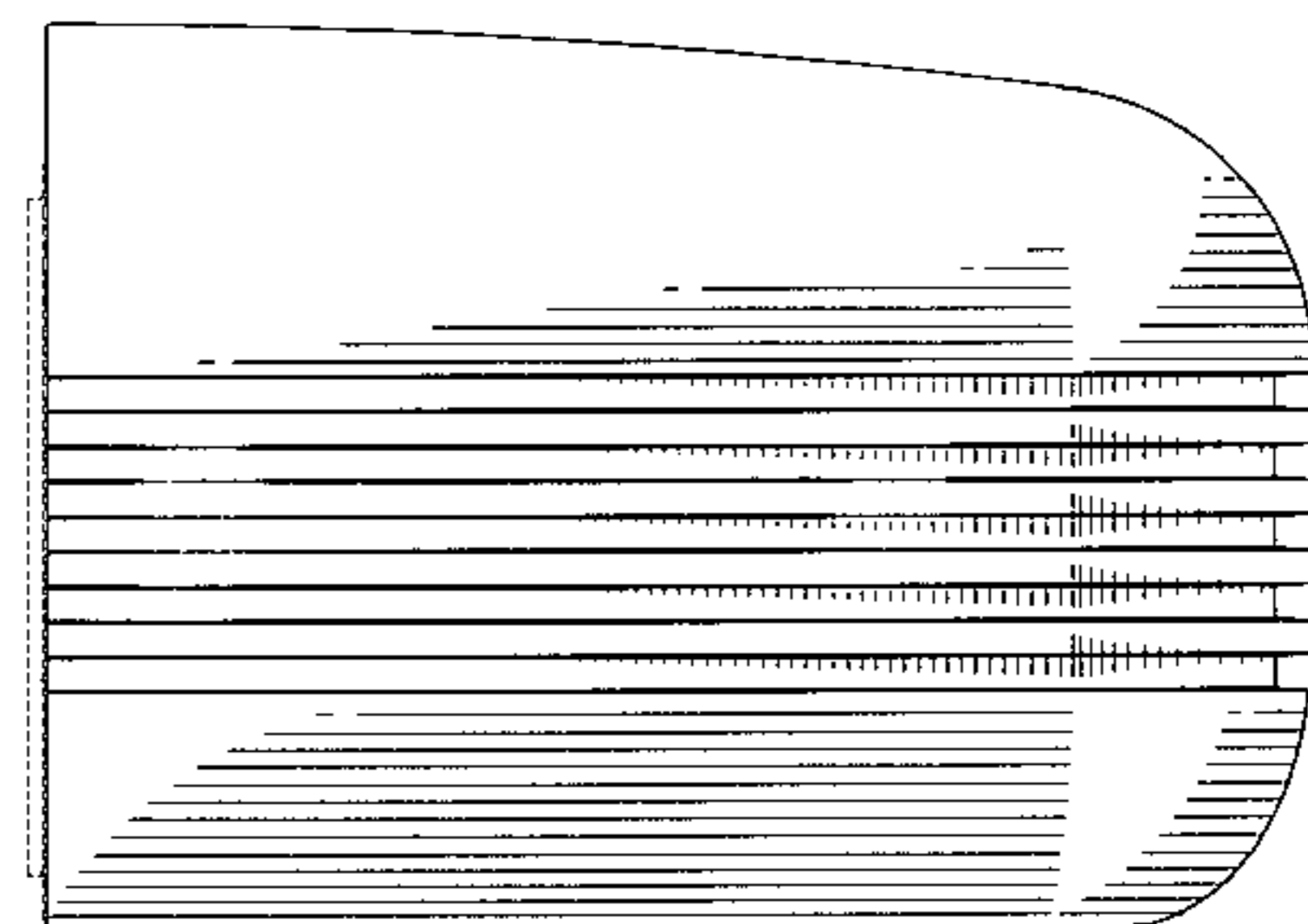
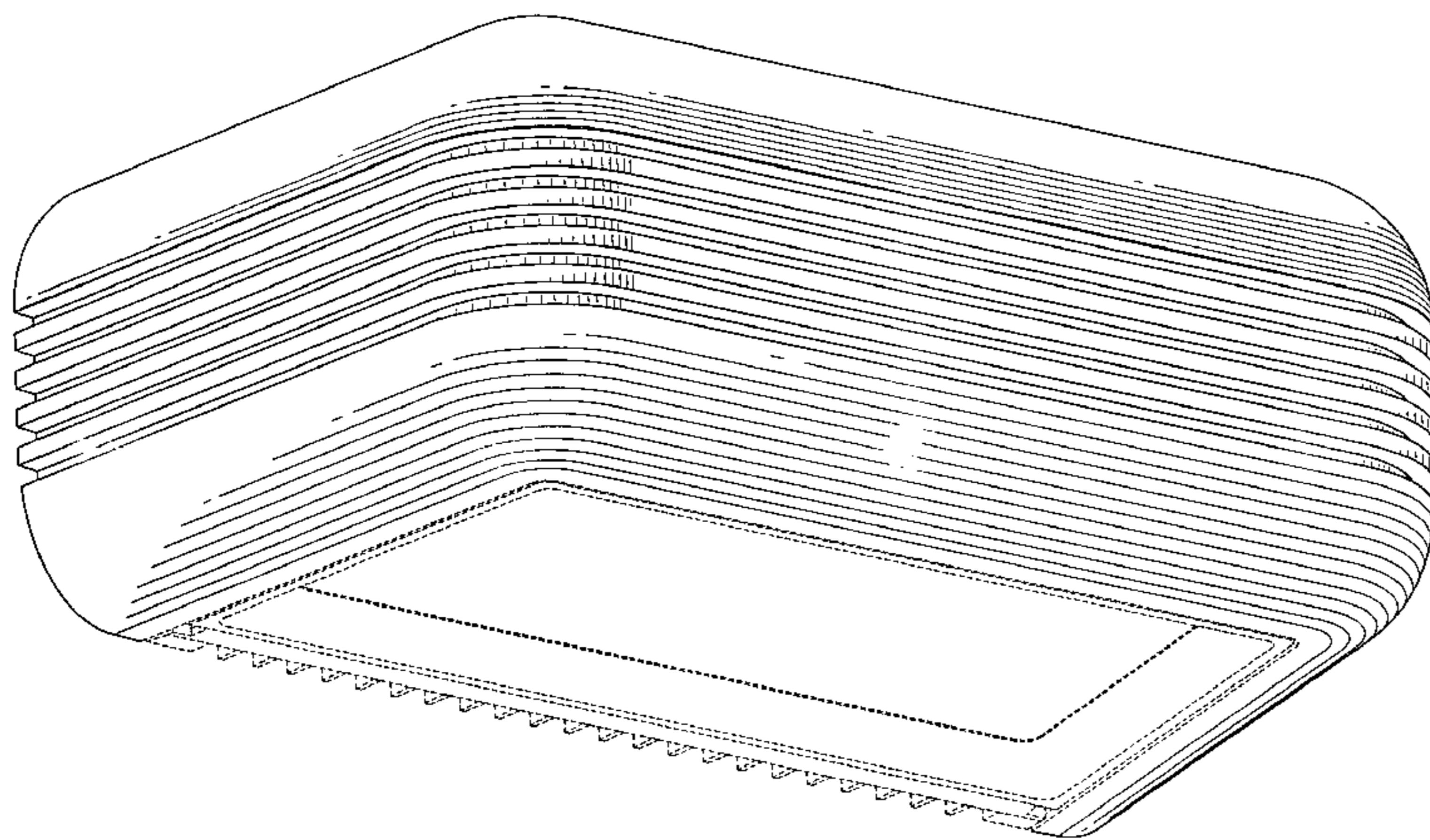
The broken lines are for illustration purposes only and form  
no part of the design.

(56) **References Cited**

**U.S. PATENT DOCUMENTS**

D158,917 S *	6/1950	Wince	.....	D26/85
D213,903 S *	4/1969	Ross	.....	D26/24
D220,916 S *	6/1971	McNamara, Jr.	.....	D26/85
D222,117 S *	9/1971	Batz	.....	D26/85
D456,930 S *	5/2002	Russello et al.	.....	D26/85
D459,519 S *	6/2002	Russello et al.	.....	D26/85
D562,491 S *	2/2008	DiCola	.....	D26/85

**1 Claim, 7 Drawing Sheets**



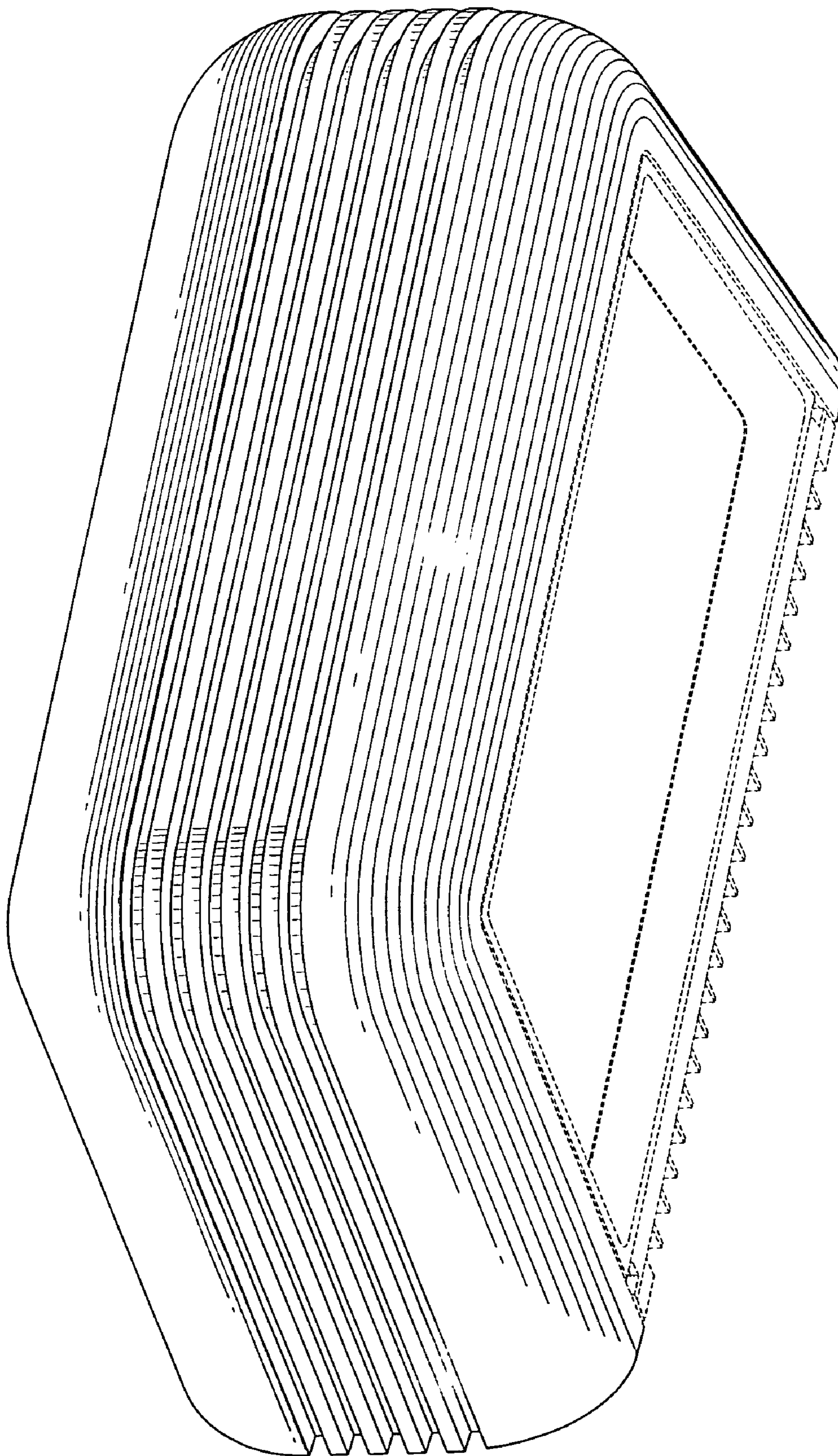


FIG. 1

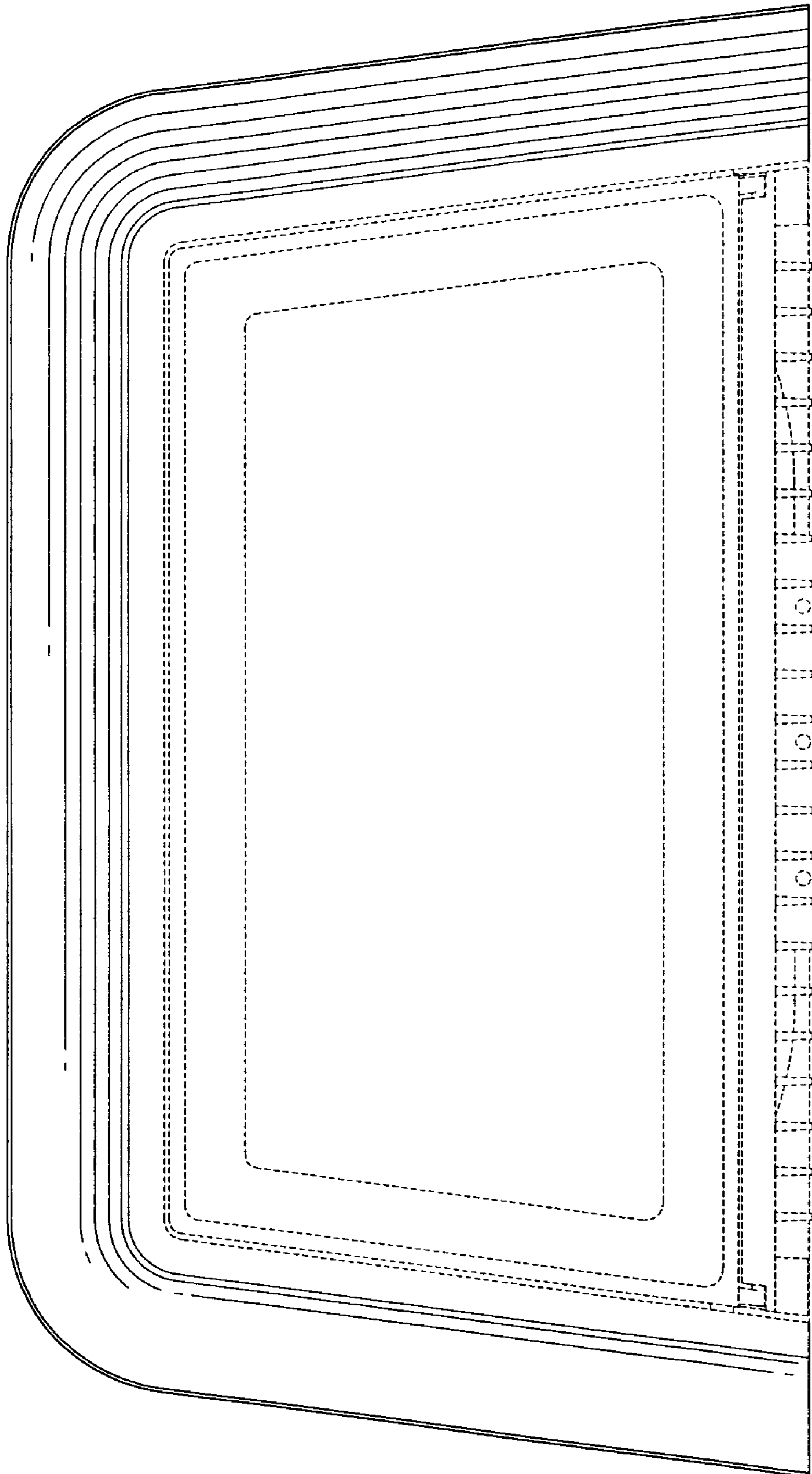


FIG. 2

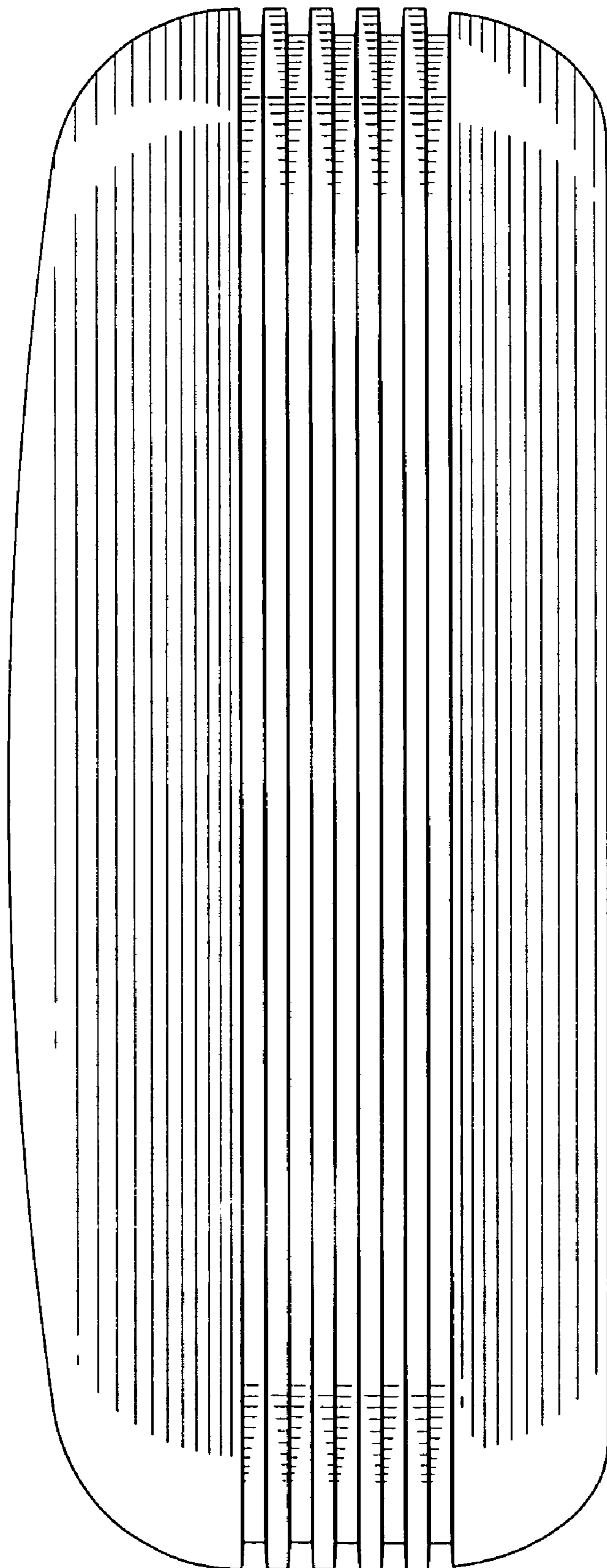


FIG. 3

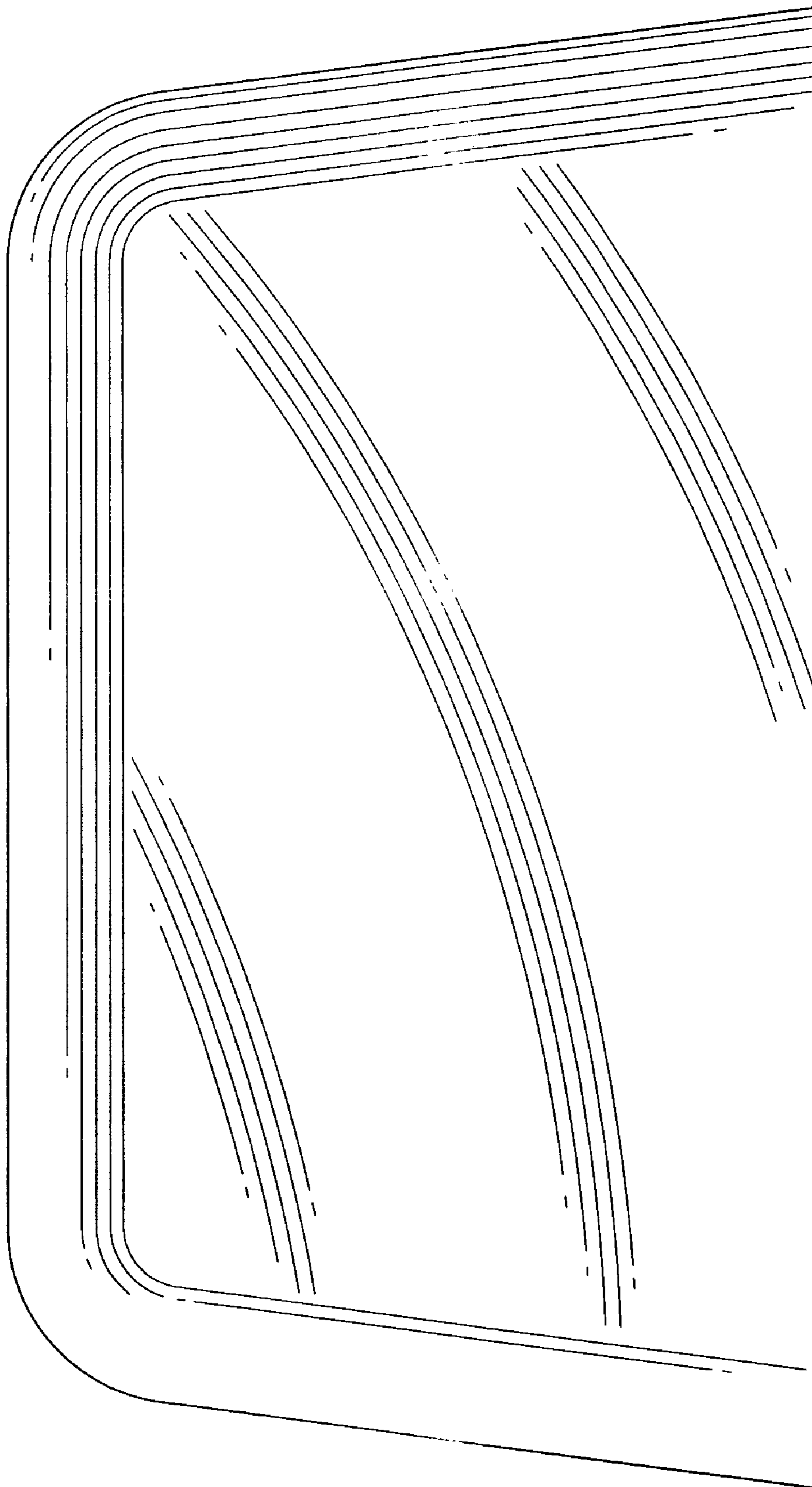


FIG. 4

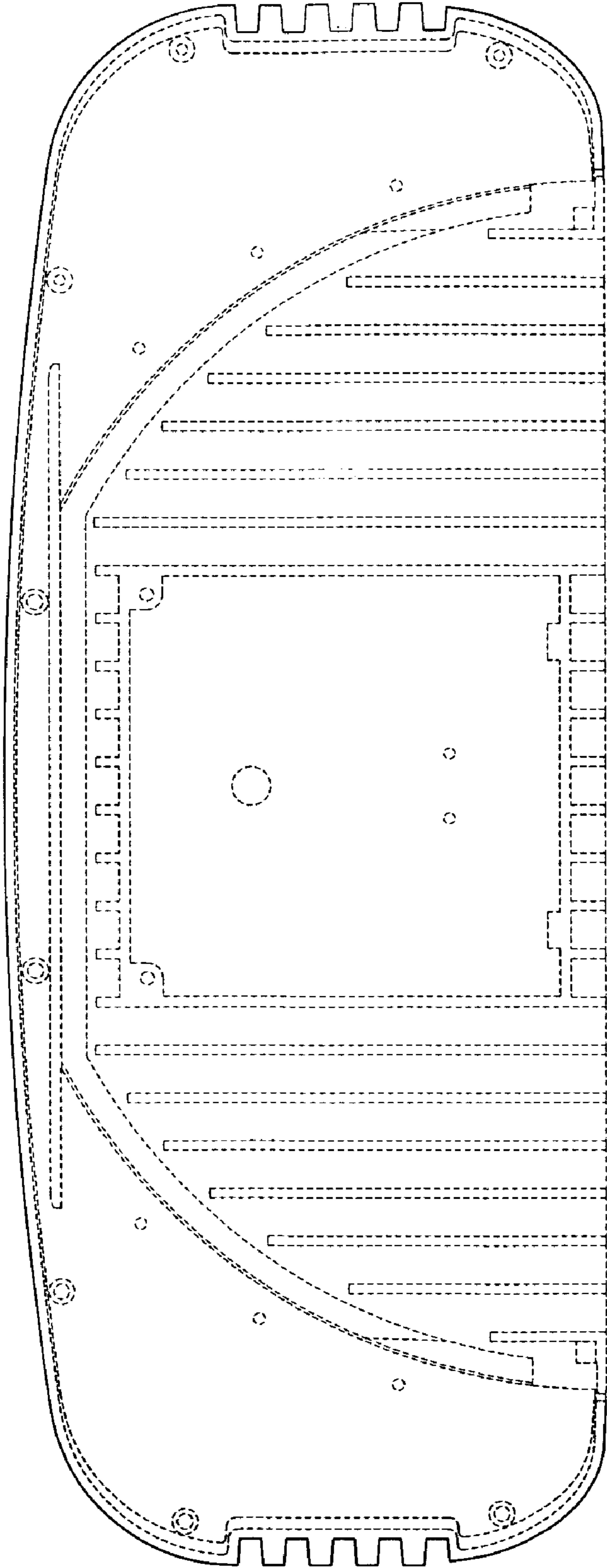


FIG. 5

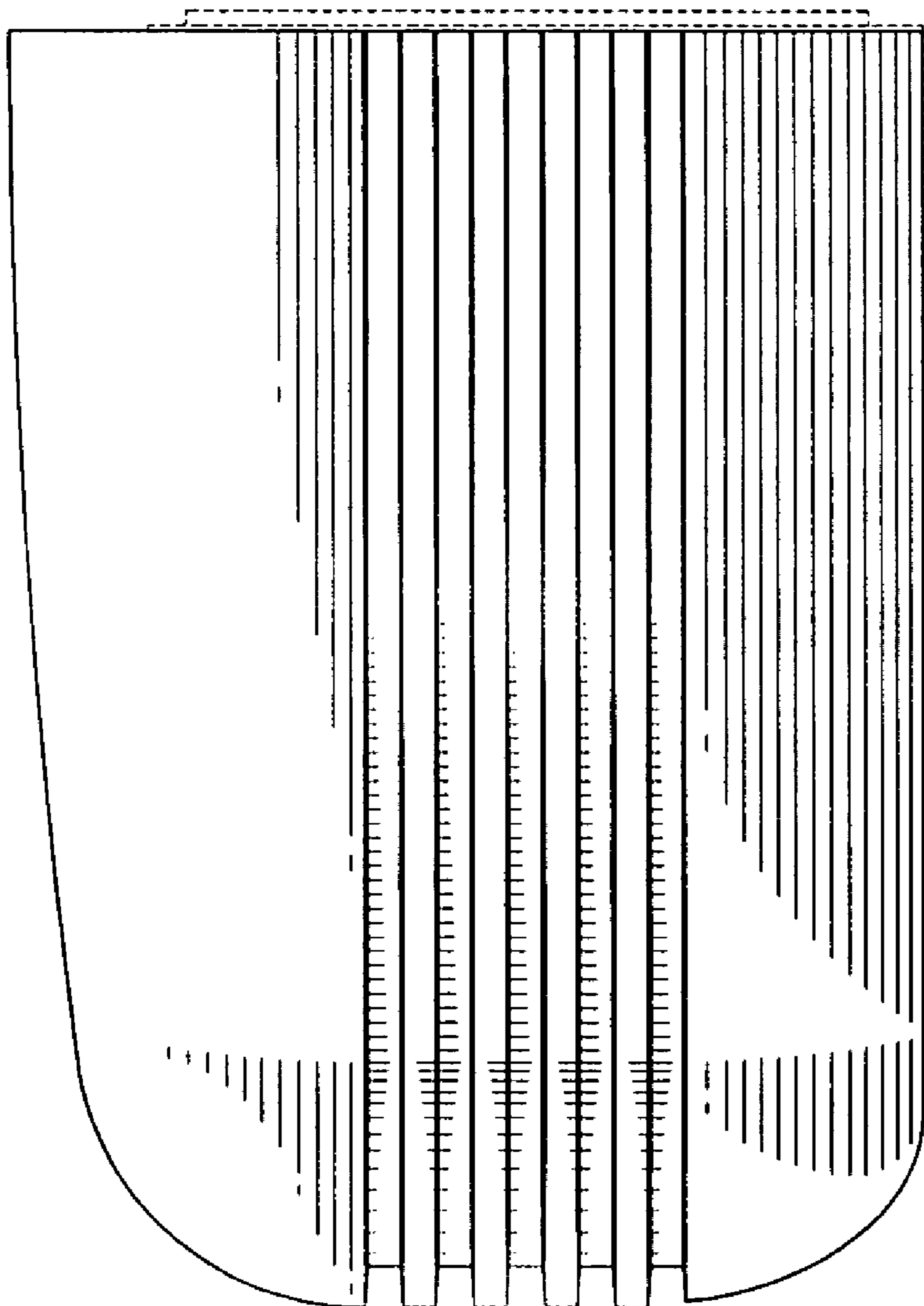


FIG. 6

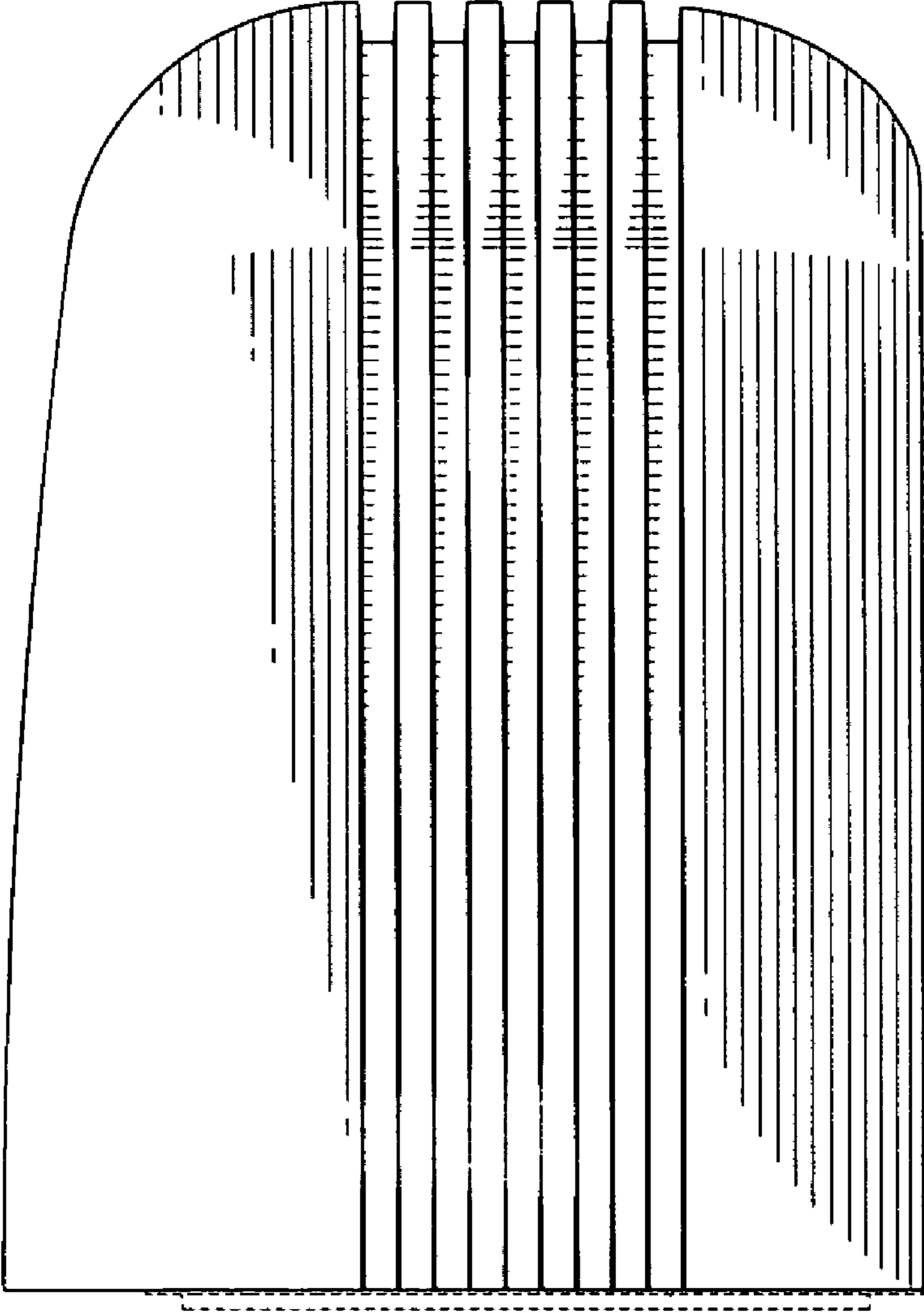


FIG. 7