



US00D584843S

(12) **United States Design Patent**
Kosche

(10) **Patent No.:** **US D584,843 S**

(45) **Date of Patent:** **** Jan. 13, 2009**

(54) **SPOT LIGHT**

(76) Inventor: **Henk Kosche**, Parkstr. 55, Lüdenscheid (DE)

(**) Term: **14 Years**

(21) Appl. No.: **29/301,103**

(22) Filed: **Feb. 8, 2008**

(30) **Foreign Application Priority Data**

| | | | |
|---------------|------|-------|---------------|
| Aug. 13, 2007 | (EP) | | 000774005-020 |
| Aug. 13, 2007 | (EP) | | 000774005-023 |
| Aug. 13, 2007 | (EP) | | 000774005-024 |
| Aug. 13, 2007 | (EP) | | 000774005-025 |

(51) **LOC (9) Cl.** **26-05**

(52) **U.S. Cl.** **D26/66**

(58) **Field of Classification Search** D26/24, D26/37, 43, 44, 51, 56, 60-66, 71, 72, 85-93, D26/107, 113, 118, 138, 142; 362/410, 413, 362/414, 419, 427, 285, 287, 282, 277, 275, 362/274, 271, 270, 269, 431, 401, 402, 251, 362/147, 432, 362, 155-157, 648, 250, 283; D13/110, 133, 139.2; D16/135; D10/106
See application file for complete search history.

(56) **References Cited**

U.S. PATENT DOCUMENTS

D491,684 S * 6/2004 McInnis D26/63

| | | | |
|-------------------|--------|--------------------------|---------|
| D537,972 S * | 3/2007 | Mier-Langner et al. | D26/63 |
| D541,456 S * | 4/2007 | Kosche | D26/63 |
| D566,873 S * | 4/2008 | Grundl et al. | D26/63 |
| 2006/0133097 A1 * | 6/2006 | Doric et al. | 362/401 |

* cited by examiner

Primary Examiner—Cathron C Brooks
Assistant Examiner—Barbara Fox

(57) **CLAIM**

The ornamental design for a spot light, as shown and described.

DESCRIPTION

FIG. 1 is a front perspective view of the spot light according to the invention;

FIG. 2 is a rear perspective view thereof;

FIG. 3 is a front elevational view thereof;

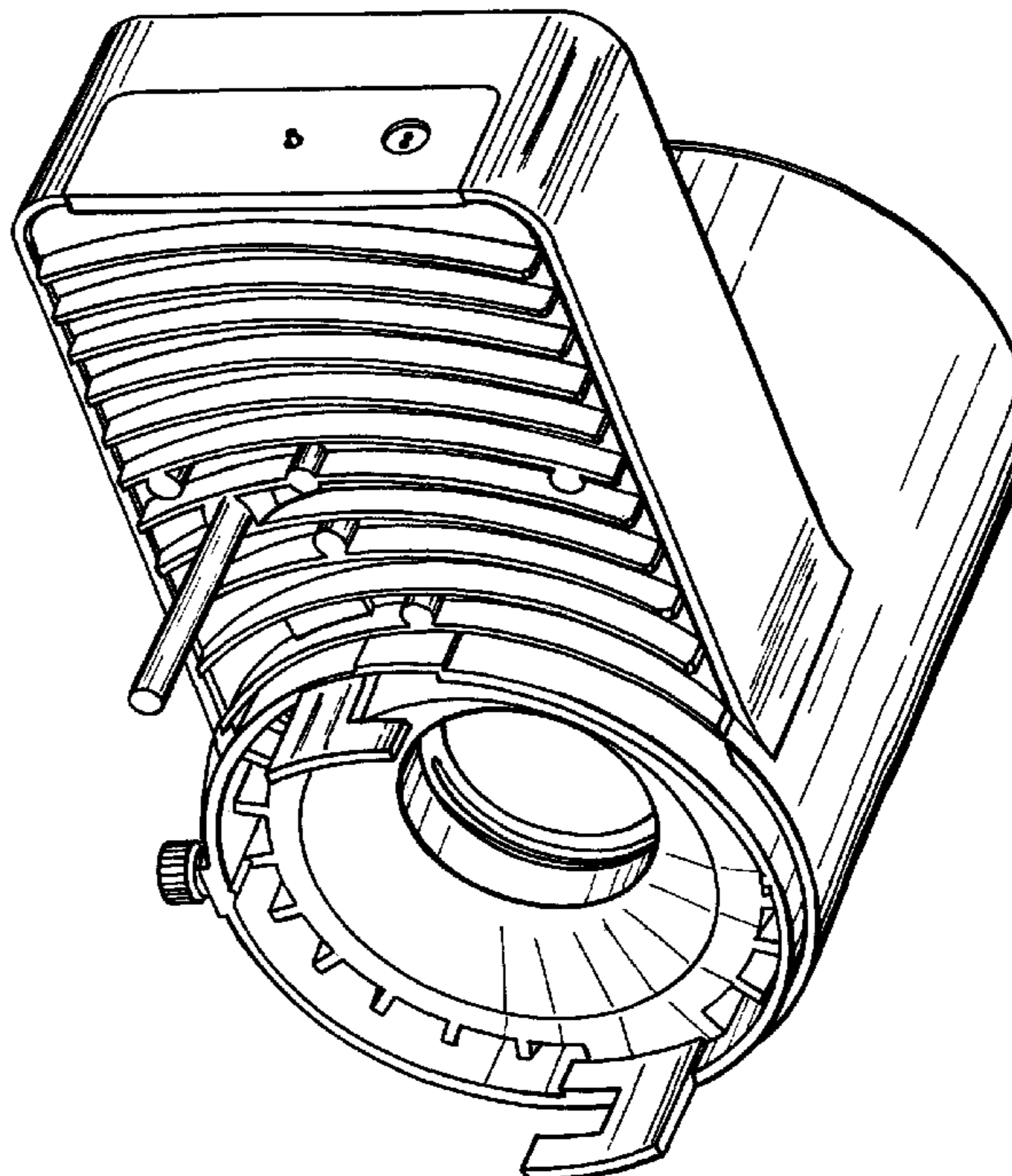
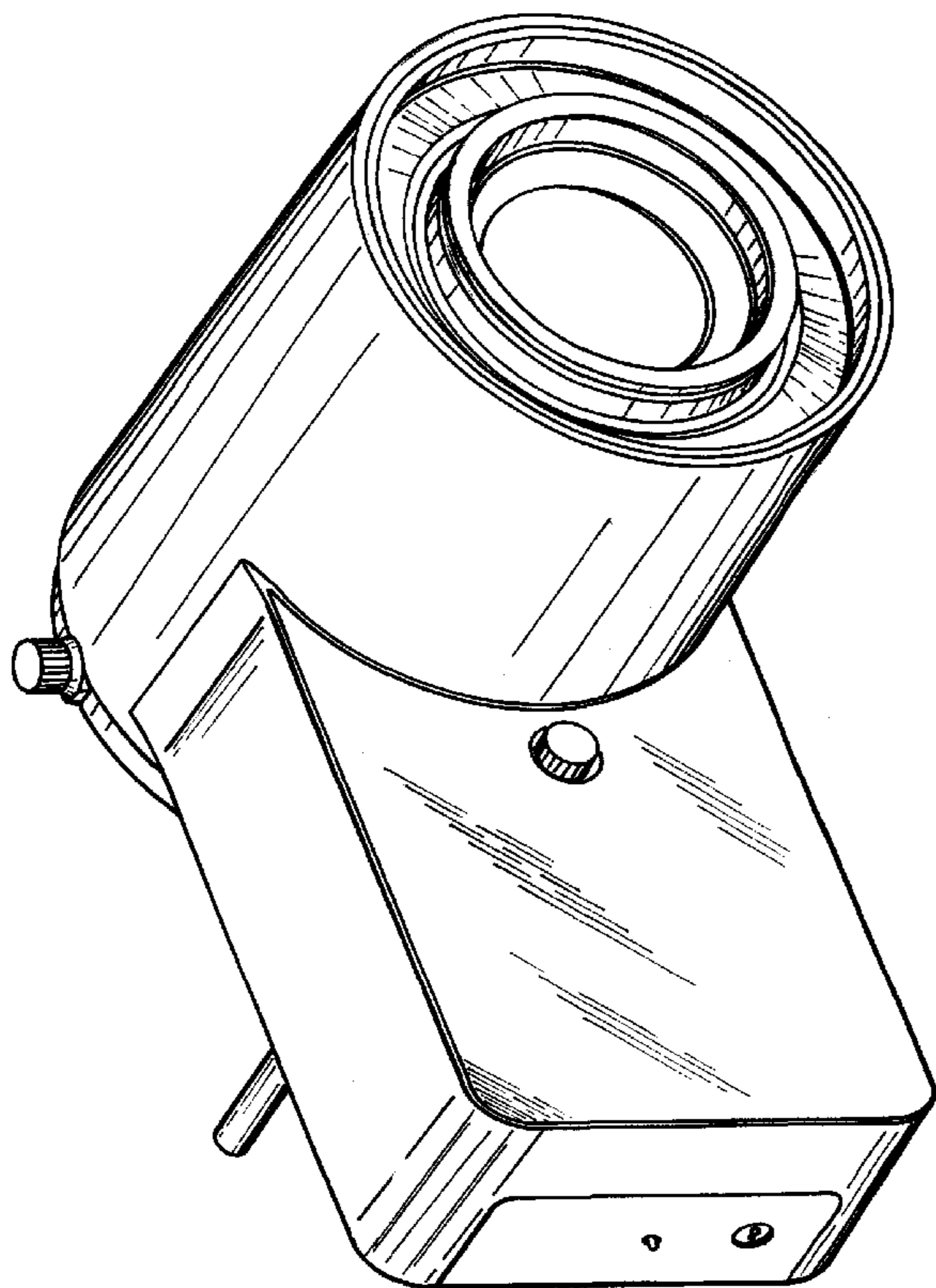
FIG. 4 is a rear elevational view thereof;

FIG. 5 is a right-side elevational view thereof;

FIG. 6 is a left-side elevational view thereof; and,

FIG. 7 is a bottom view thereof.

1 Claim, 6 Drawing Sheets



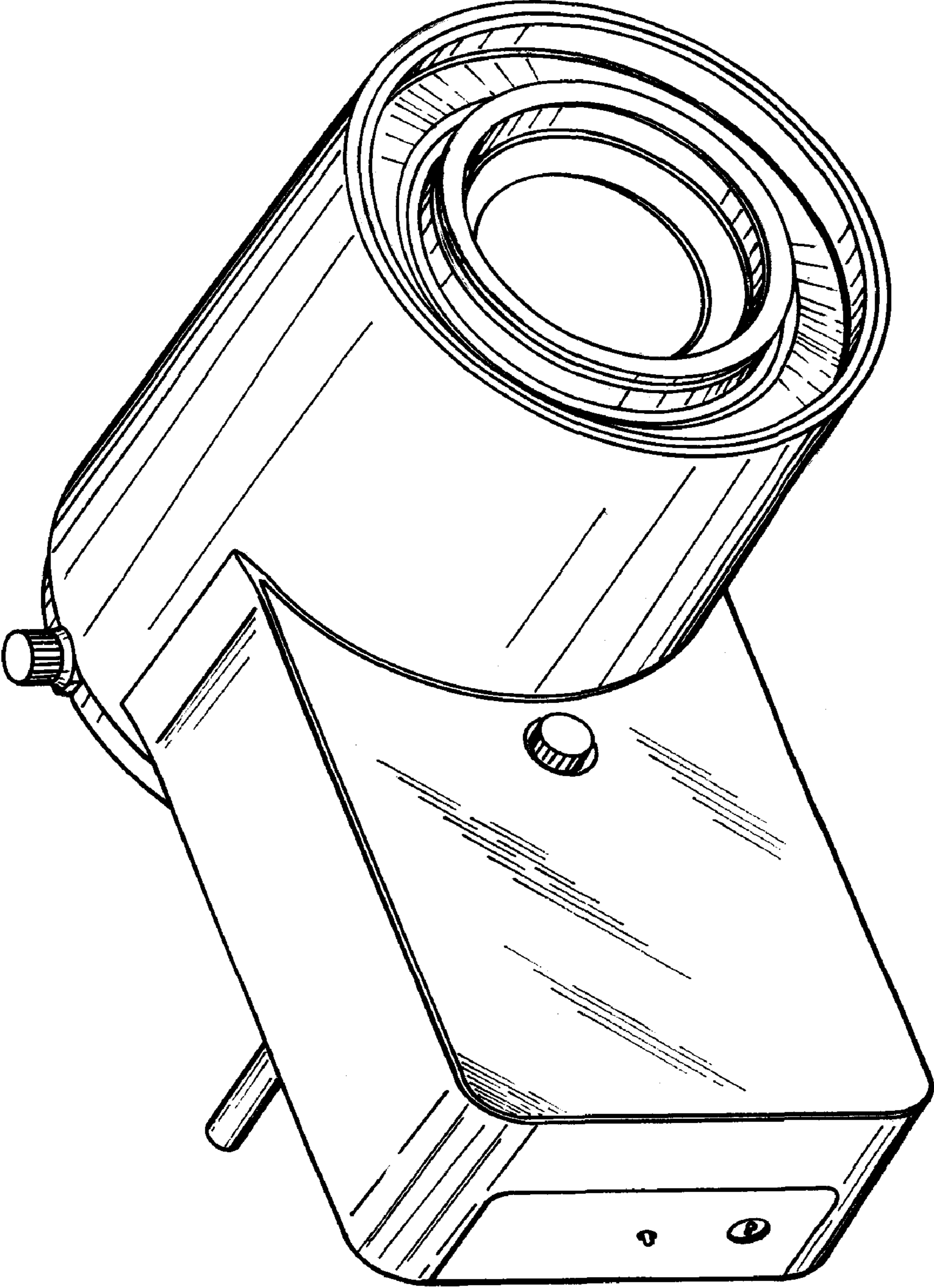


FIG. 1

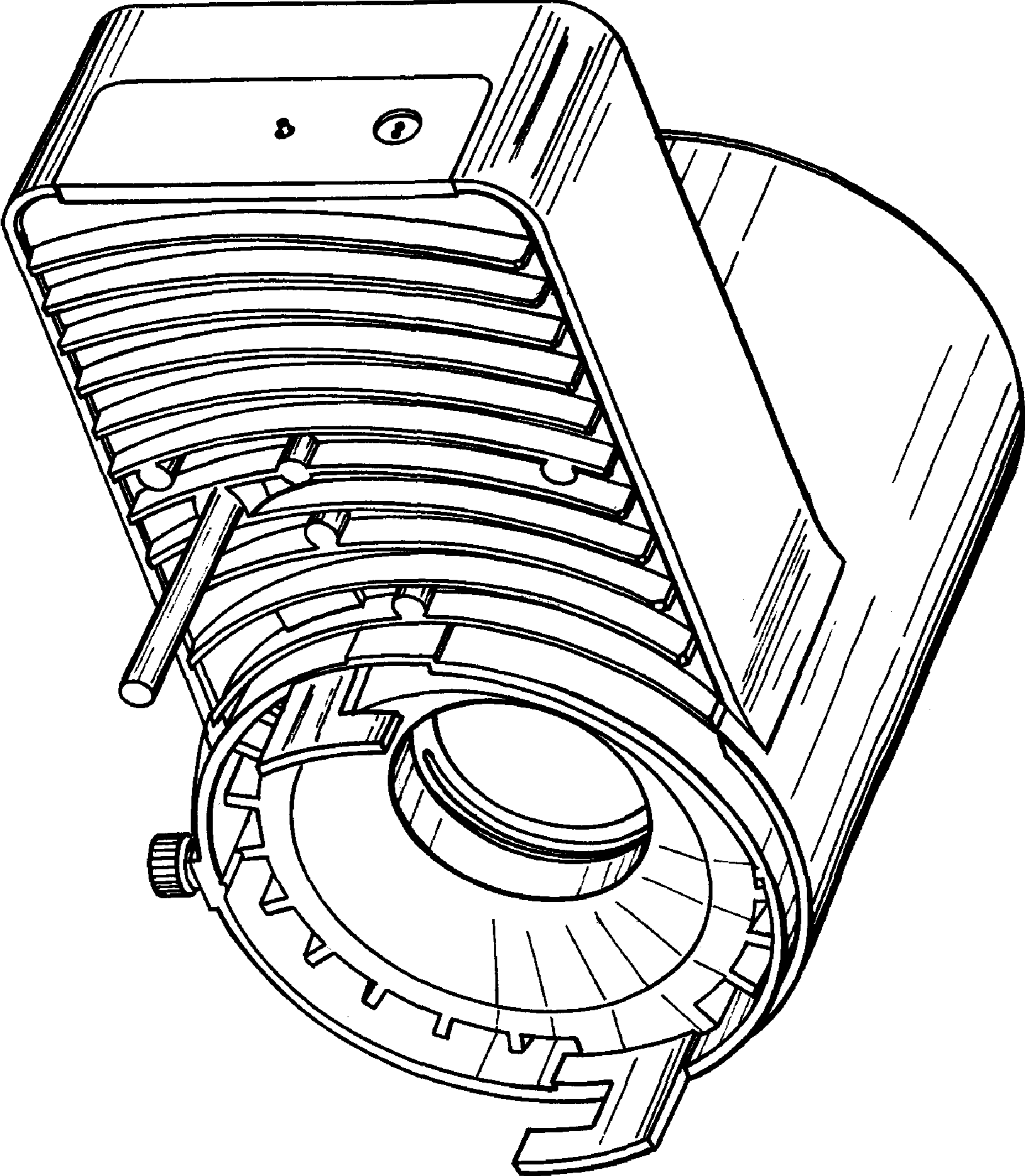


FIG.2

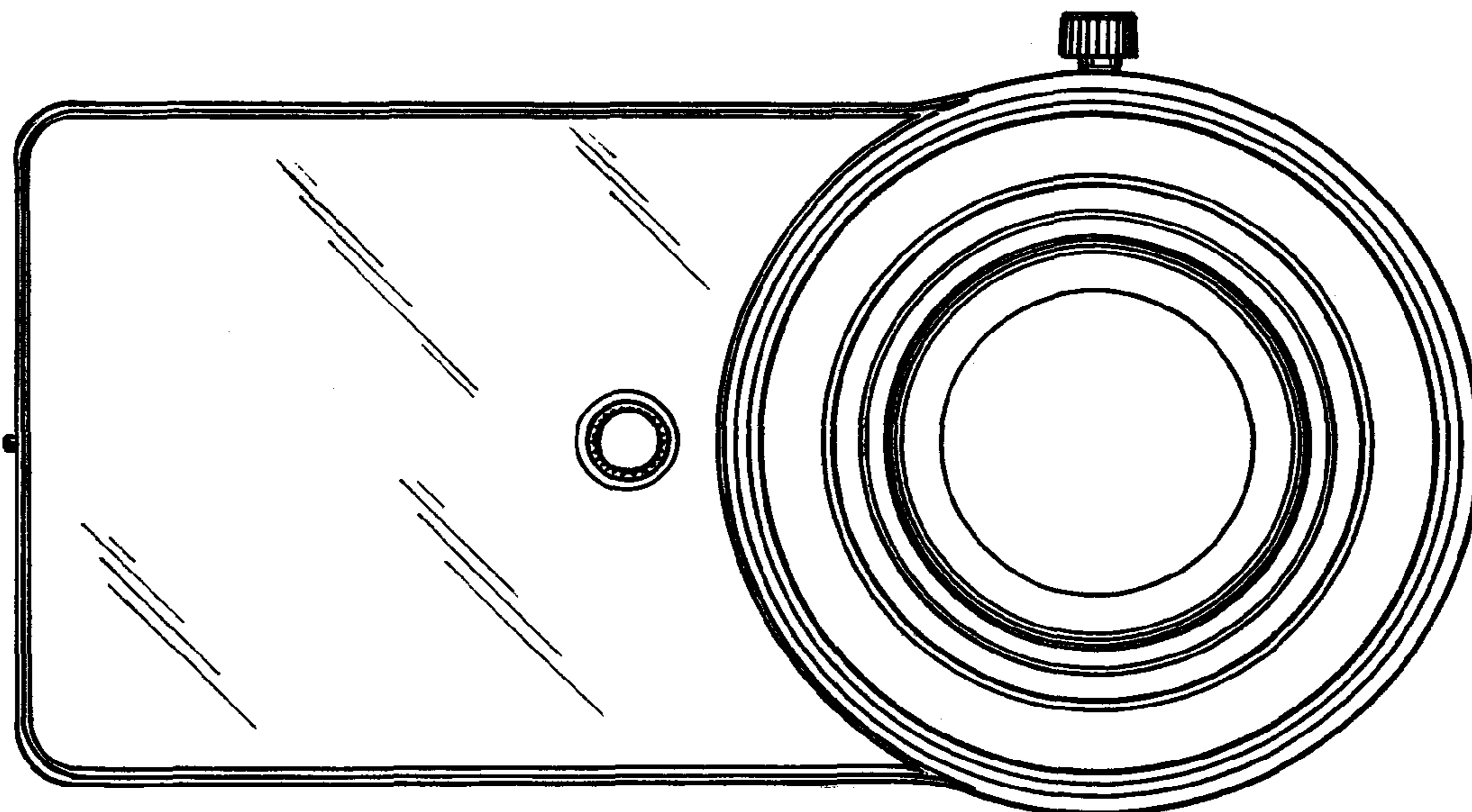


FIG. 3

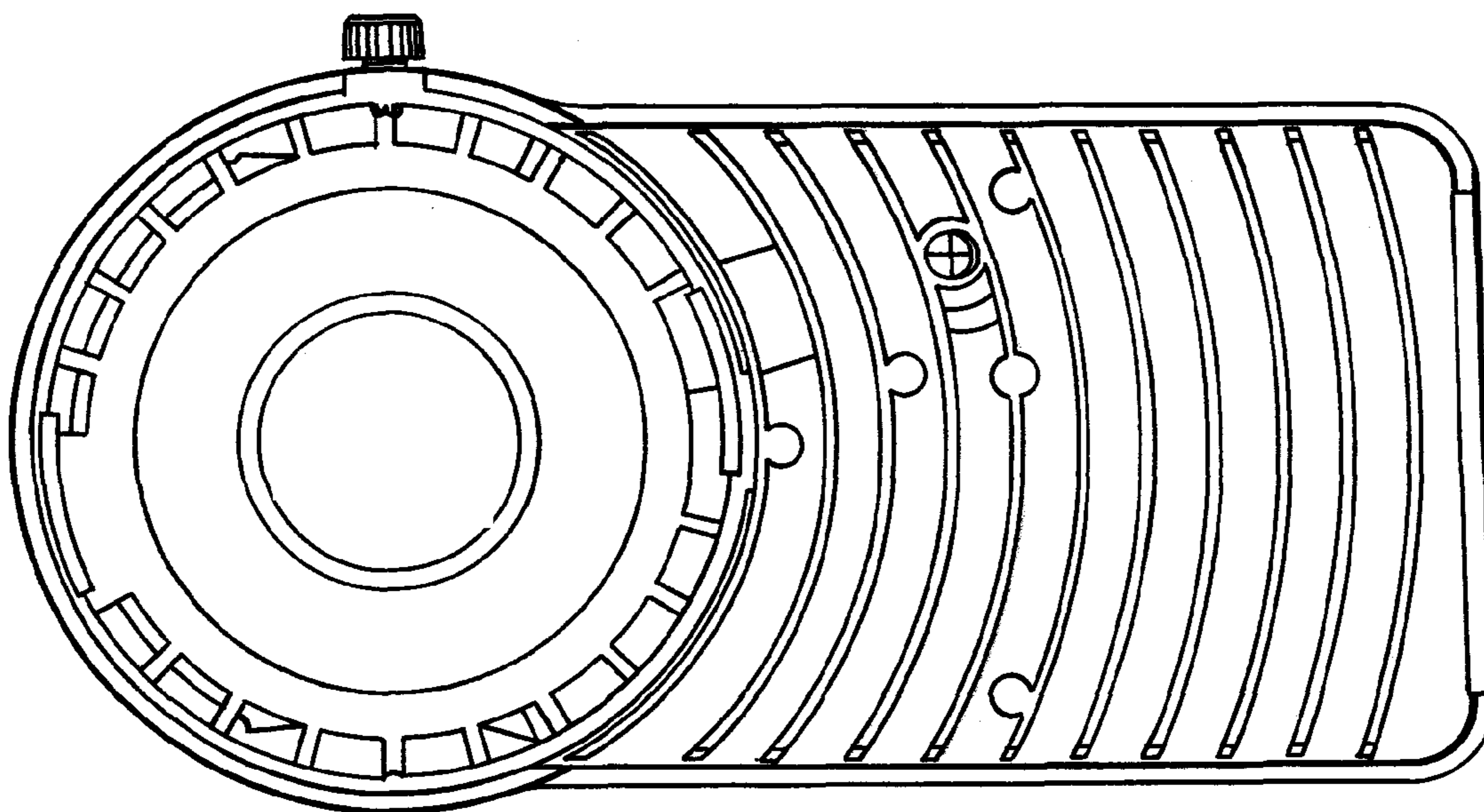


FIG. 4

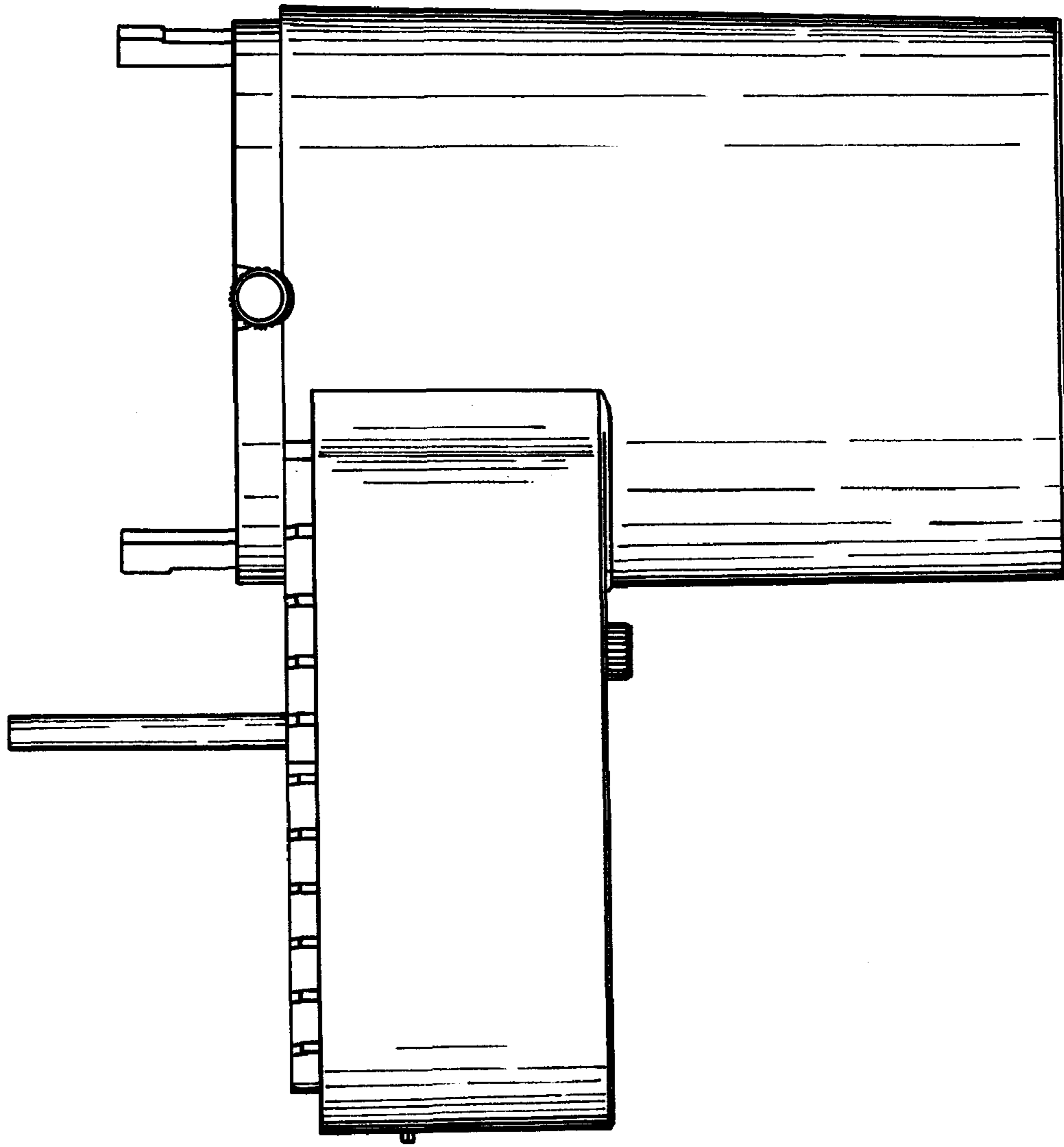


FIG. 5

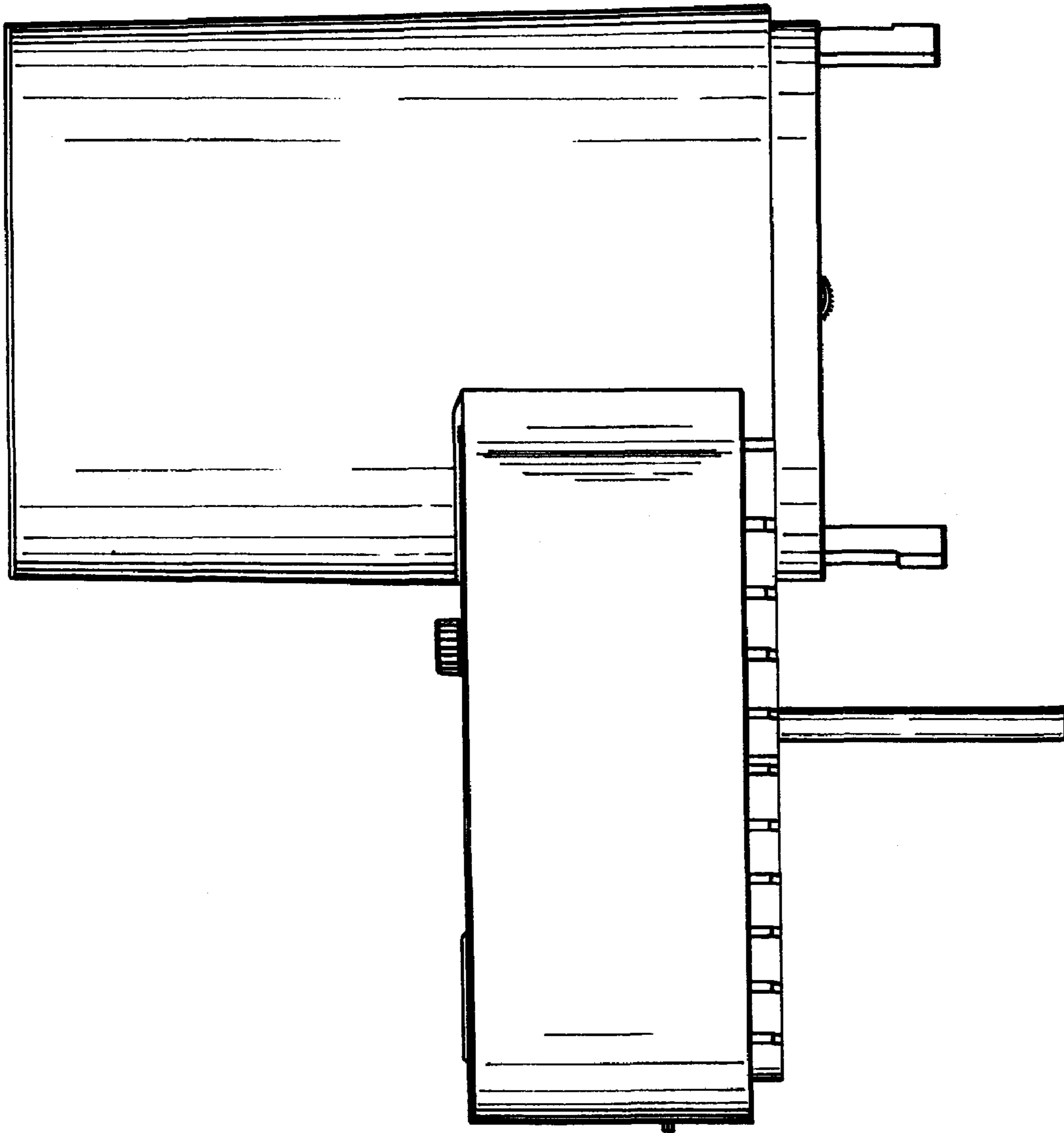


FIG.6

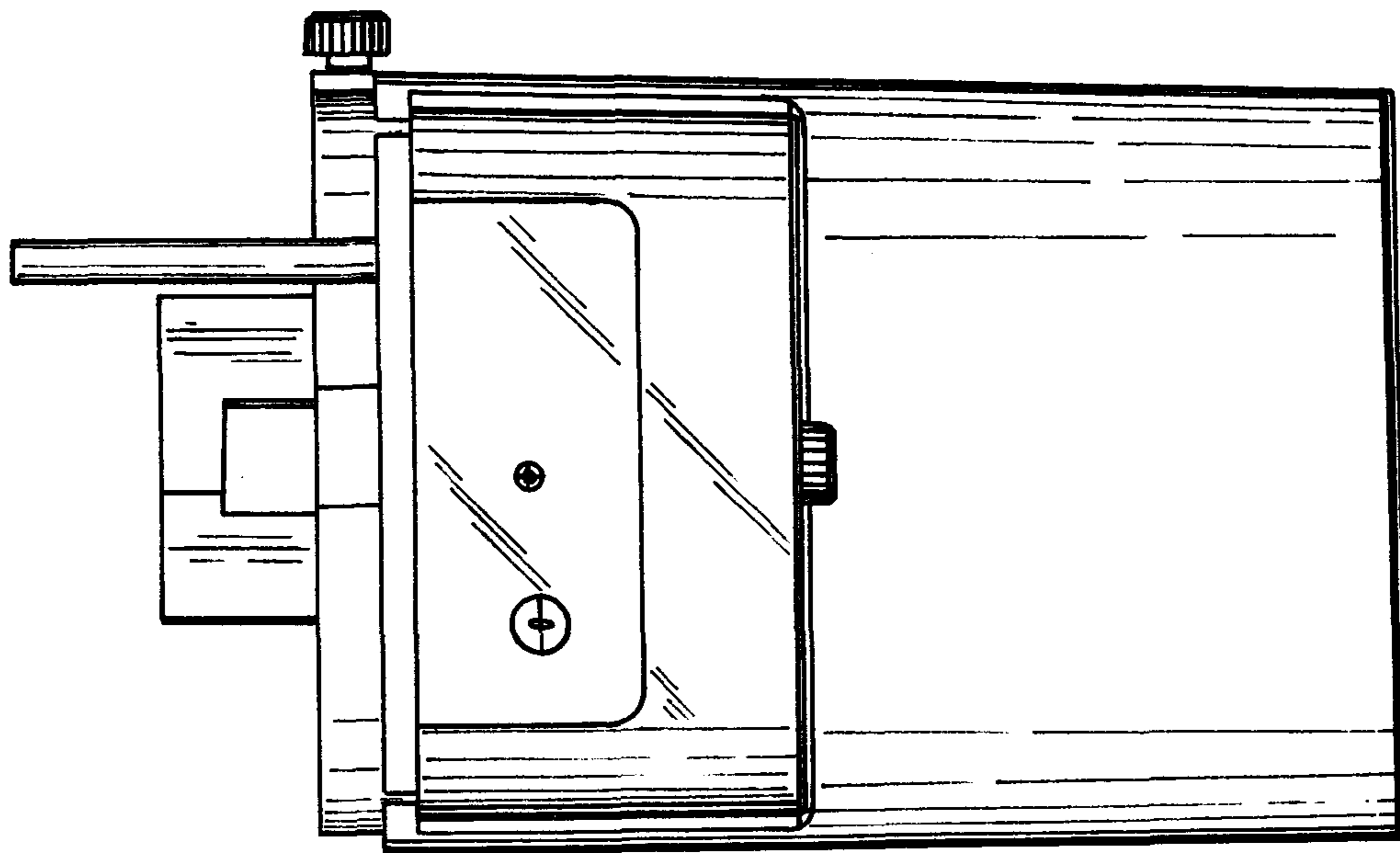


FIG.7