



US00D584842S

(12) **United States Design Patent**
Sham

(10) **Patent No.:** **US D584,842 S**

(45) **Date of Patent:** **** Jan. 13, 2009**

(54) **FLASHLIGHT**

(75) Inventor: **Steven Sham**, Kowloon (HK)

(73) Assignee: **Lumilite International Ltd**, Kowloon (HK)

(**) Term: **14 Years**

(21) Appl. No.: **29/306,917**

(22) Filed: **Apr. 18, 2008**

(51) **LOC (9) Cl.** **26-02**

(52) **U.S. Cl.** **D26/37**

(58) **Field of Classification Search** D26/37,
D26/46, 49, 48, 50; 362/157, 158, 183, 184,
362/195, 196, 200, 201, 203–208

See application file for complete search history.

(56) **References Cited**

U.S. PATENT DOCUMENTS

D332,965 S *	2/1993	Wu et al.	D26/37
D428,503 S *	7/2000	Rann et al.	D26/46
D431,874 S *	10/2000	Burns	D26/49
D433,523 S *	11/2000	Poon	D26/49
D443,373 S *	6/2001	Israel et al.	D26/49
D446,328 S *	8/2001	Israel et al.	D26/49
D448,876 S *	10/2001	Osiecki et al.	D26/46
D463,596 S *	9/2002	McGaffigan	D26/49
D466,636 S *	12/2002	Chun	D26/37

D484,624 S *	12/2003	Shiu	D26/37
D566,312 S *	4/2008	Lui	D26/46

* cited by examiner

Primary Examiner—Ian Simmons

Assistant Examiner—Carissa C Fitts

(74) *Attorney, Agent, or Firm*—Schwabe Williamson & Wyatt

(57) **CLAIM**

I claim the ornamental design for a flashlight, as shown and described.

DESCRIPTION

FIG. 1 illustrates a top perspective view of a flashlight showing my new design;

FIG. 2 illustrates a bottom perspective view of the invention of FIG. 1;

FIG. 3 illustrates a right side view of the invention of FIG. 1;

FIG. 4 illustrates a top view of the invention of FIG. 1;

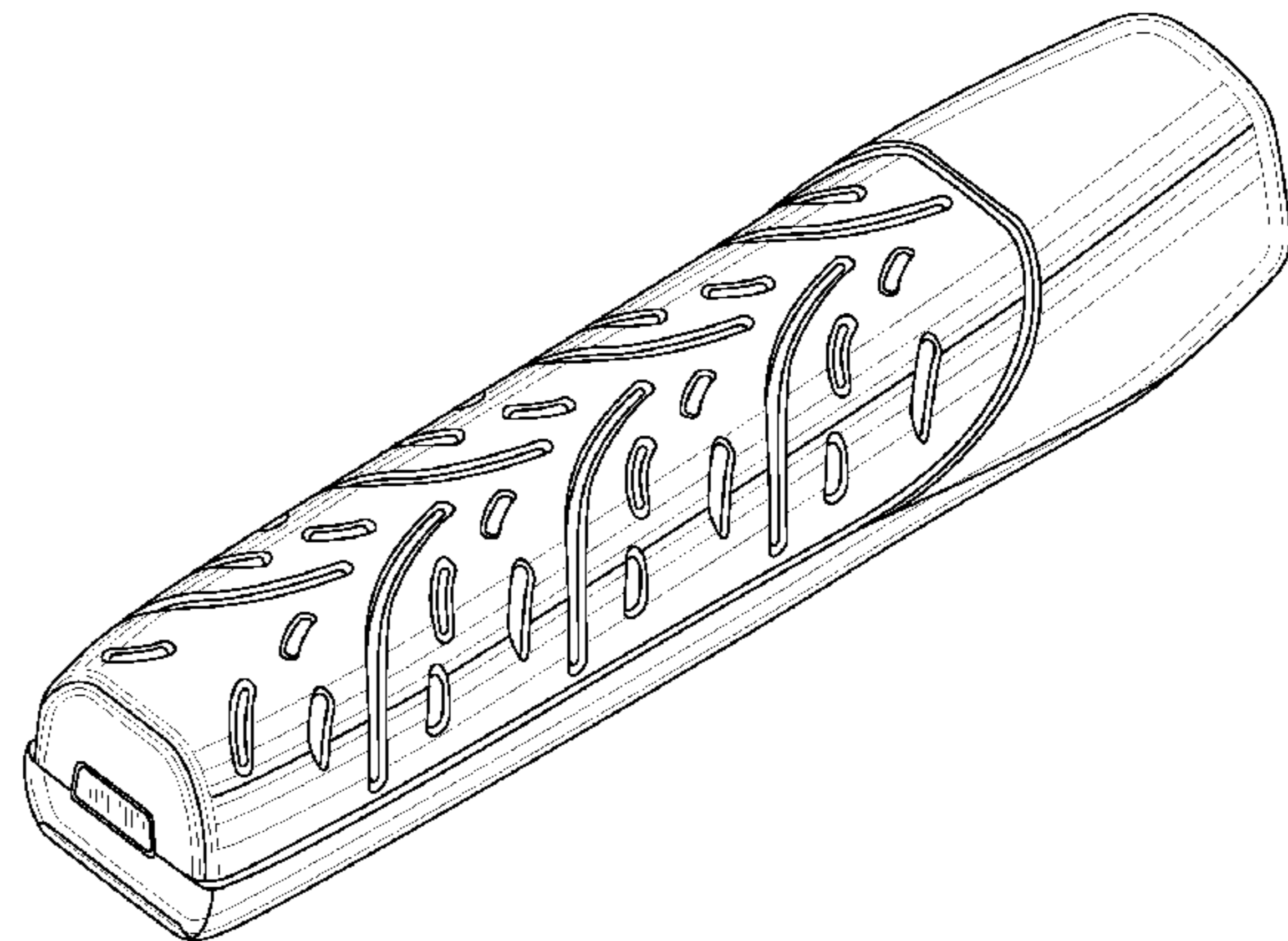
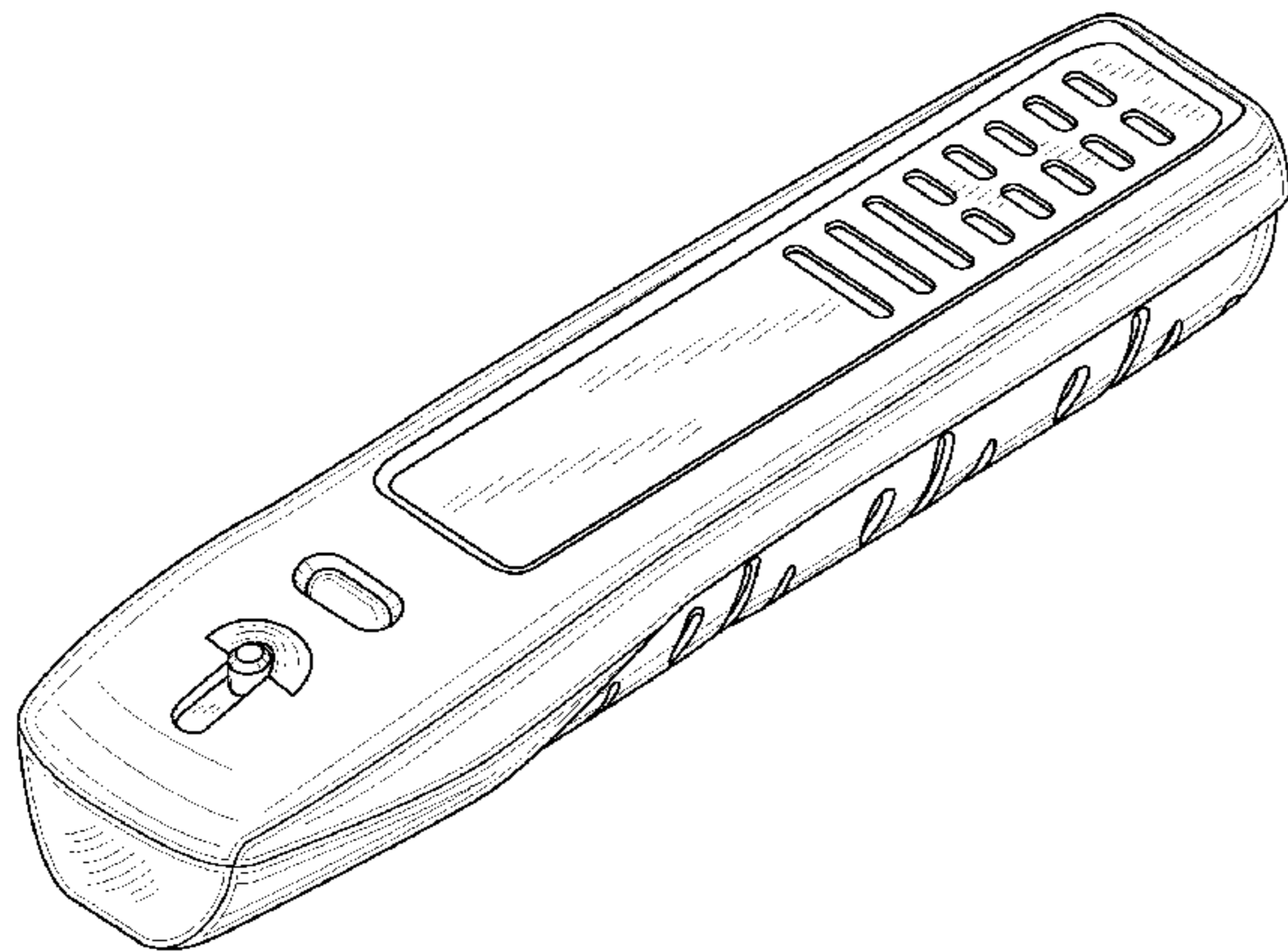
FIG. 5 illustrates a left side view of the invention of FIG. 1;

FIG. 6 illustrates a first end view of the invention of FIG. 1;

FIG. 7 illustrates a second end view of the invention of FIG. 1; and,

FIG. 8 illustrates a bottom view of the invention of FIG. 1.

1 Claim, 3 Drawing Sheets



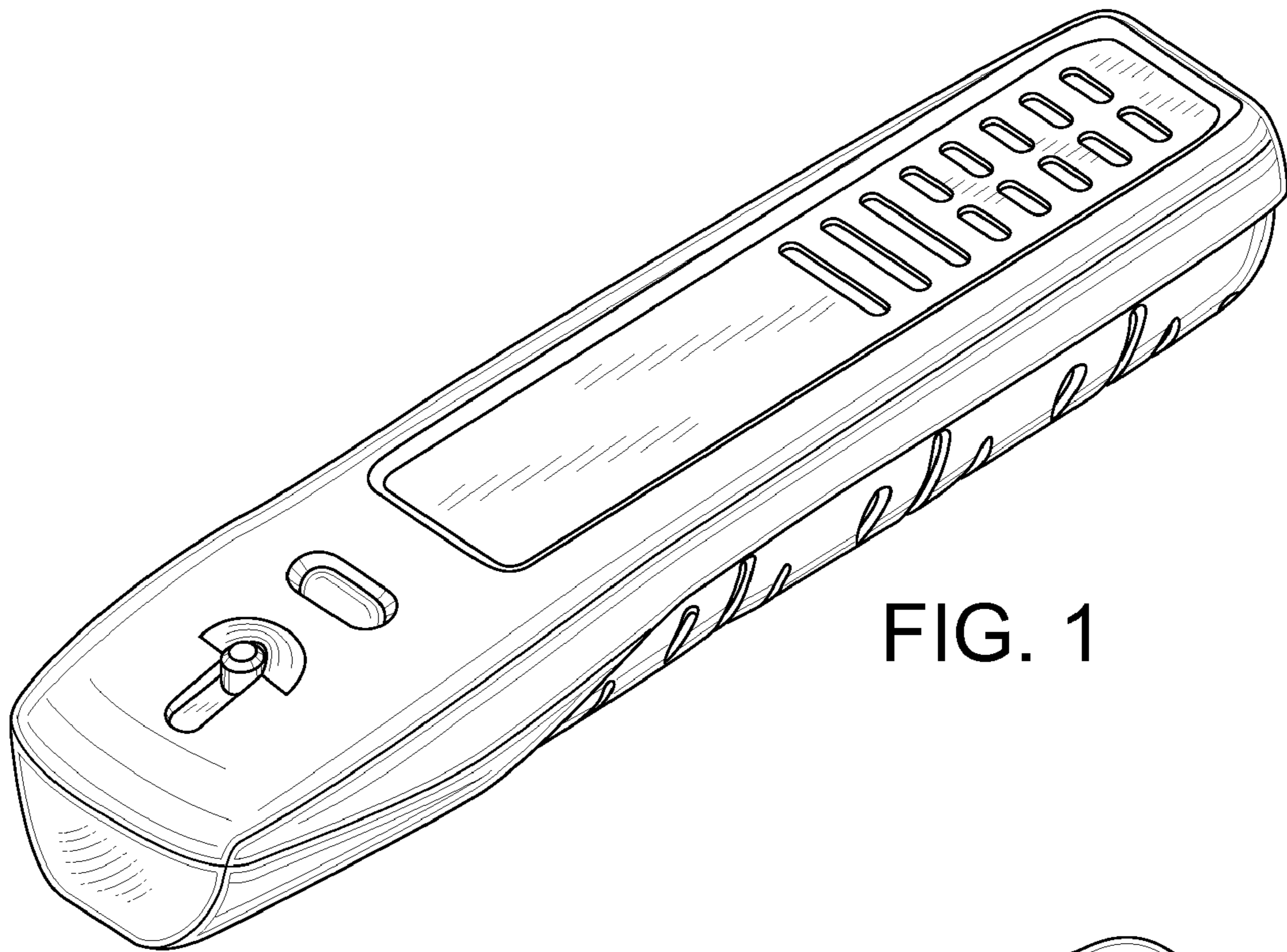


FIG. 1

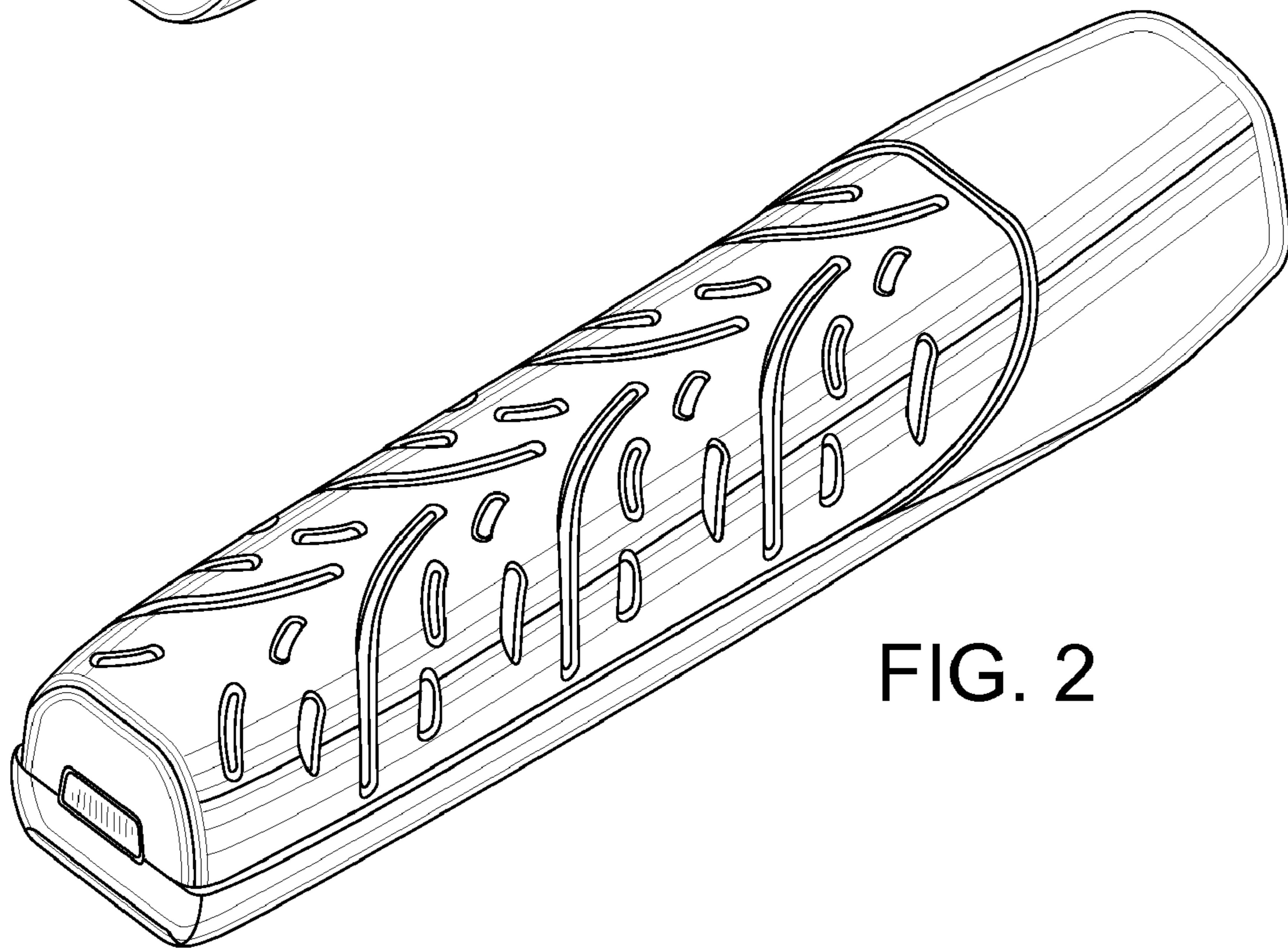


FIG. 2

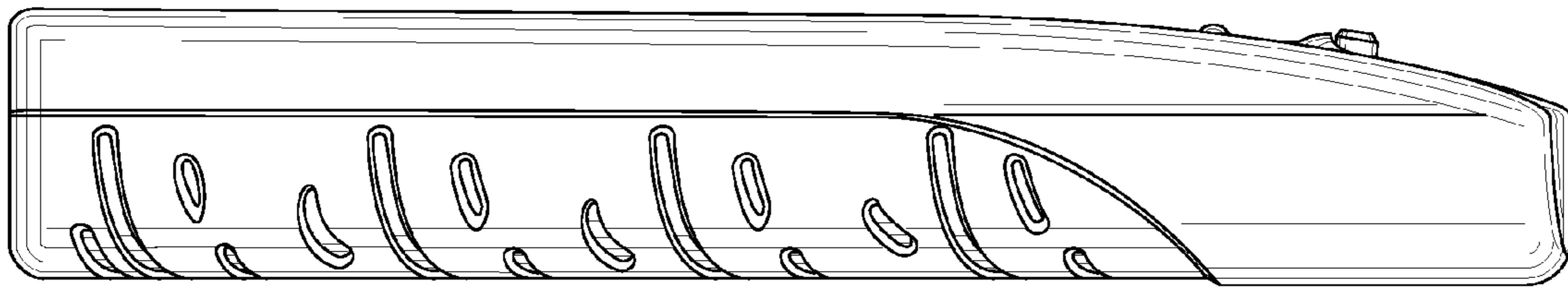


FIG. 3

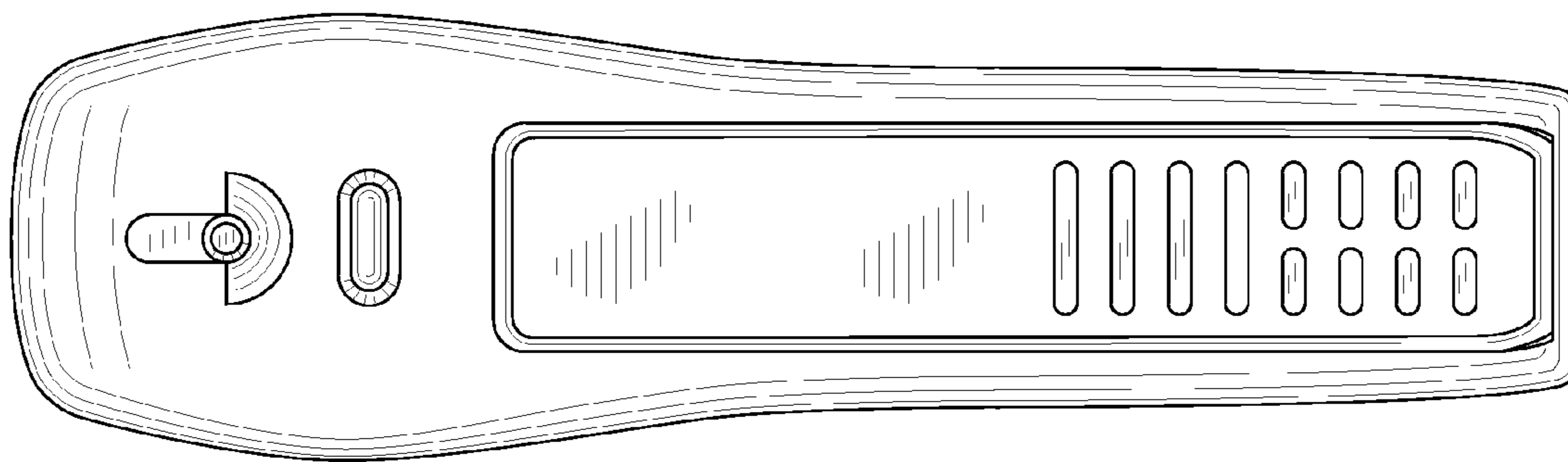


FIG. 4

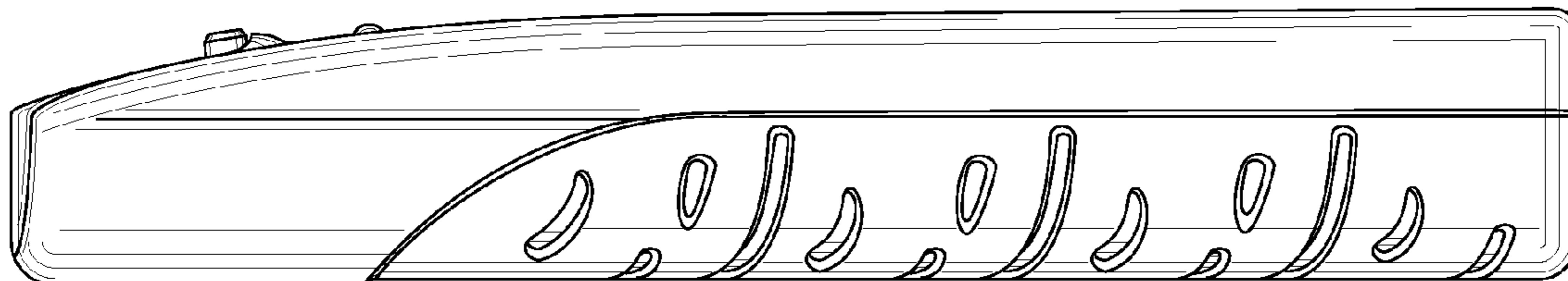


FIG. 5

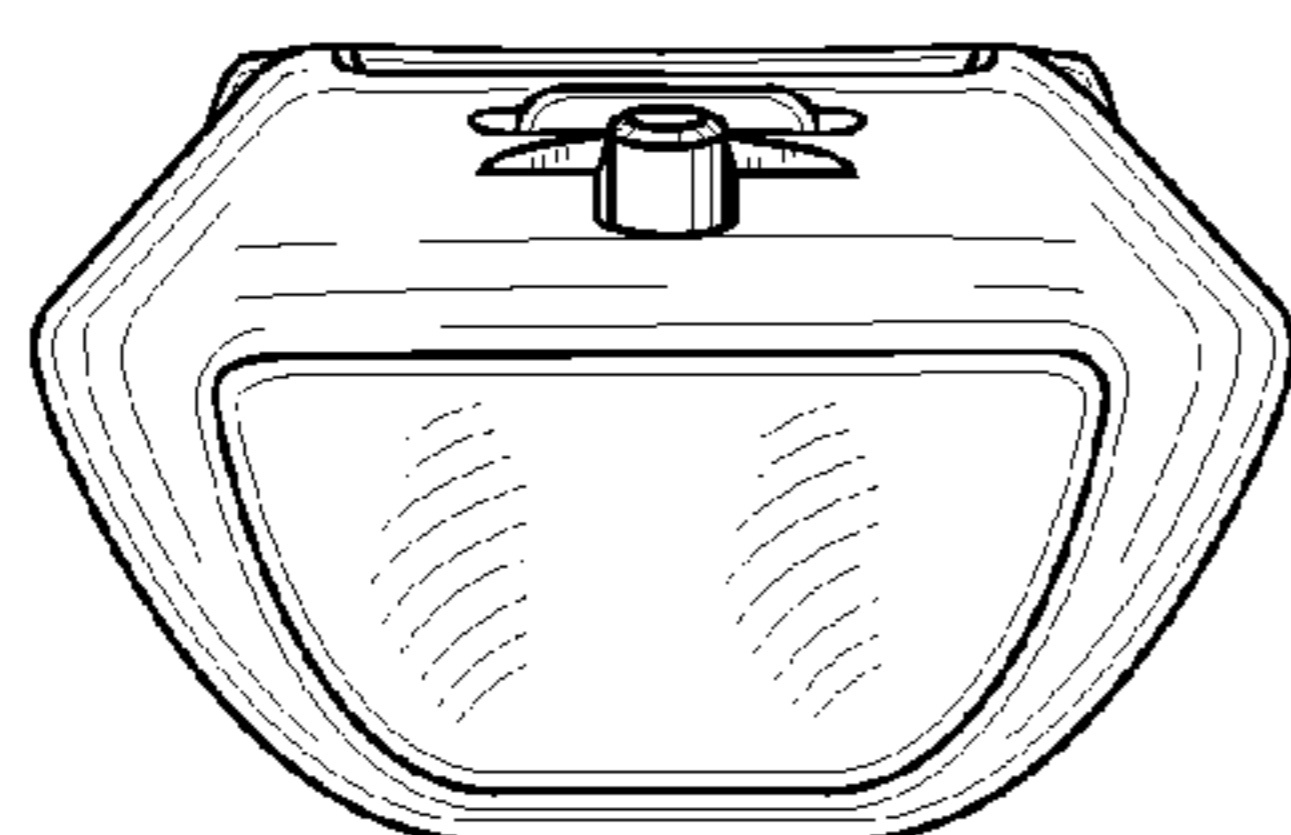


FIG. 6

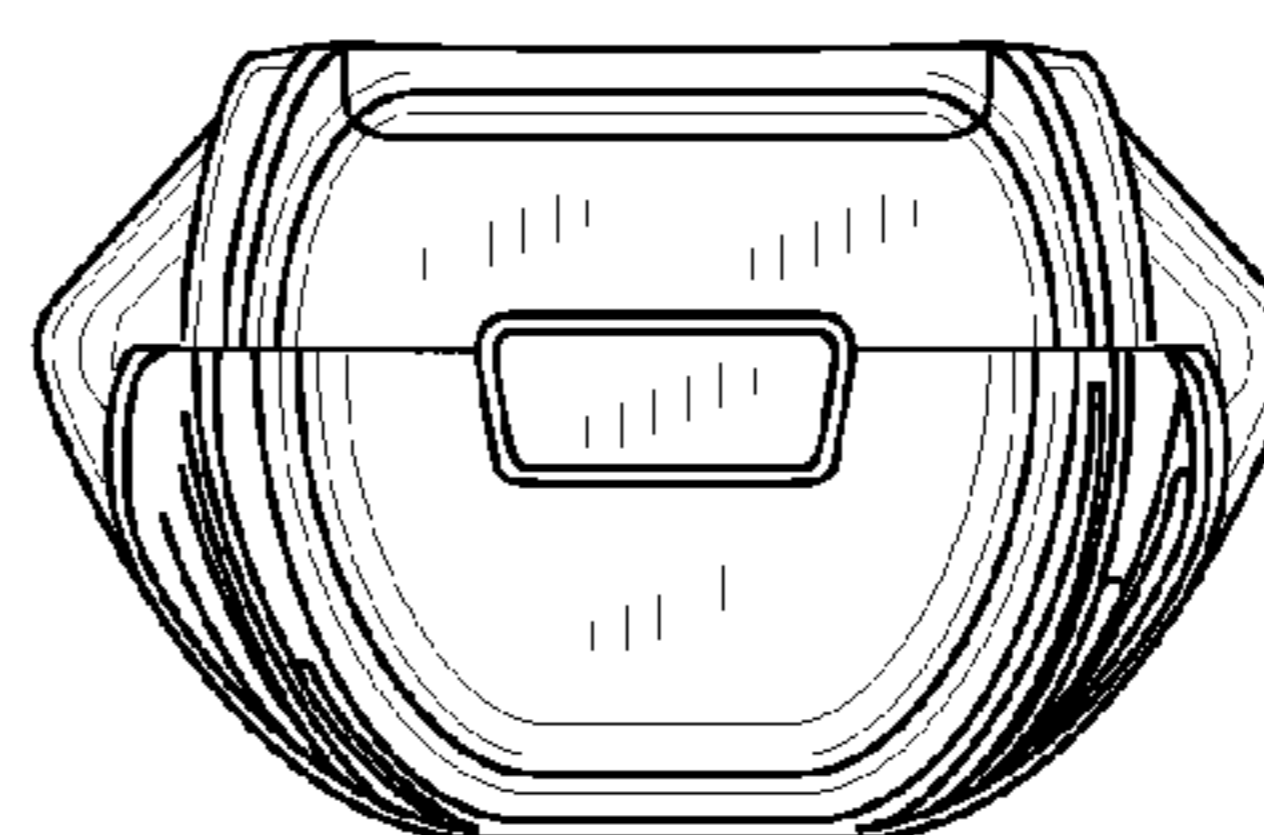


FIG. 7

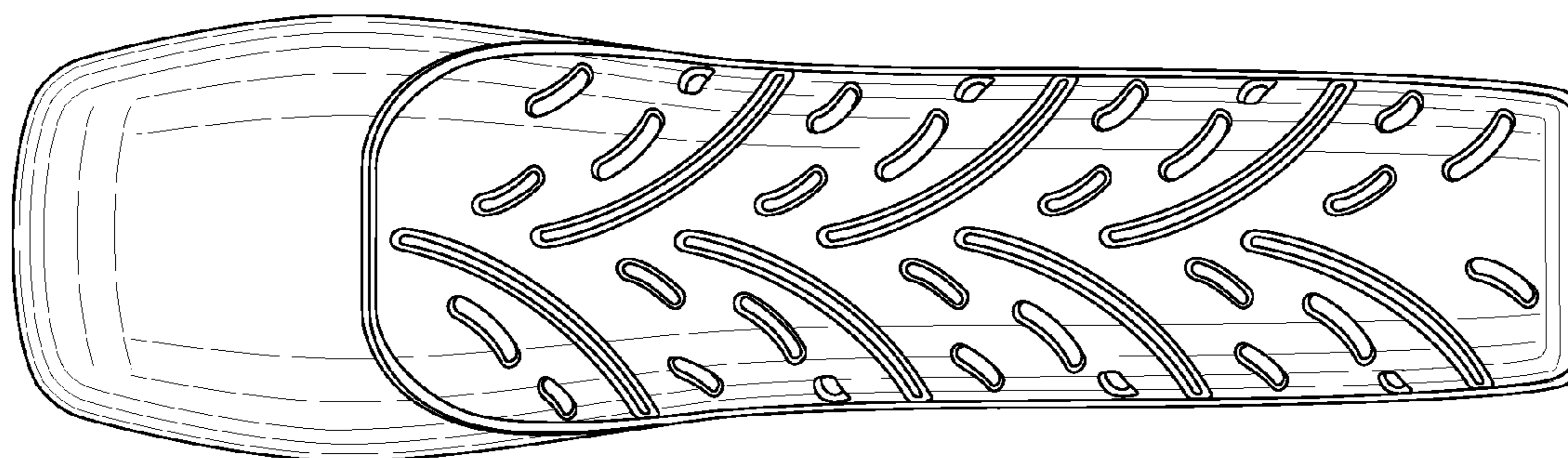


FIG. 8