



US00D584839S

(12) **United States Design Patent**
Choi et al.

(10) **Patent No.:** **US D584,839 S**
(45) **Date of Patent:** **** Jan. 13, 2009**

(54) **VEHICLE TAIL LIGHT**

D552,769 S * 10/2007 Leclercq D26/28

(75) Inventors: **Young Choi**, Redondo Beach, CA (US);
Roger Brown, Corona, CA (US)

* cited by examiner

(73) Assignee: **Honda Motor Co. Ltd.**, Tokyo (JP)

Primary Examiner—Marcus A. Jackson

(**) Term: **14 Years**

(74) *Attorney, Agent, or Firm*—Plumsea Law Group, LLC;
Mark E. Duell

(21) Appl. No.: **29/298,817**

(57) **CLAIM**

(22) Filed: **Dec. 13, 2007**

The ornamental design for a vehicle tail light, as shown and described.

(51) **LOC (9) Cl.** **26-06**

(52) **U.S. Cl.** **D26/28**

(58) **Field of Classification Search** D26/28-36;
362/459-468, 475-478, 485-487

See application file for complete search history.

DESCRIPTION

(56) **References Cited**

U.S. PATENT DOCUMENTS

- D523,976 S * 6/2006 Pfeiffer et al. D26/28
- D528,680 S * 9/2006 Oda D26/28
- D538,452 S * 3/2007 Pfeiffer D26/28
- D539,450 S * 3/2007 Pfeiffer D26/28
- D540,480 S * 4/2007 Pfeiffer D26/28

FIG. 1 is a perspective view of a vehicle tail light showing our new design;

FIG. 2 is a side elevational view thereof;

FIG. 3 is a rear elevational view thereof;

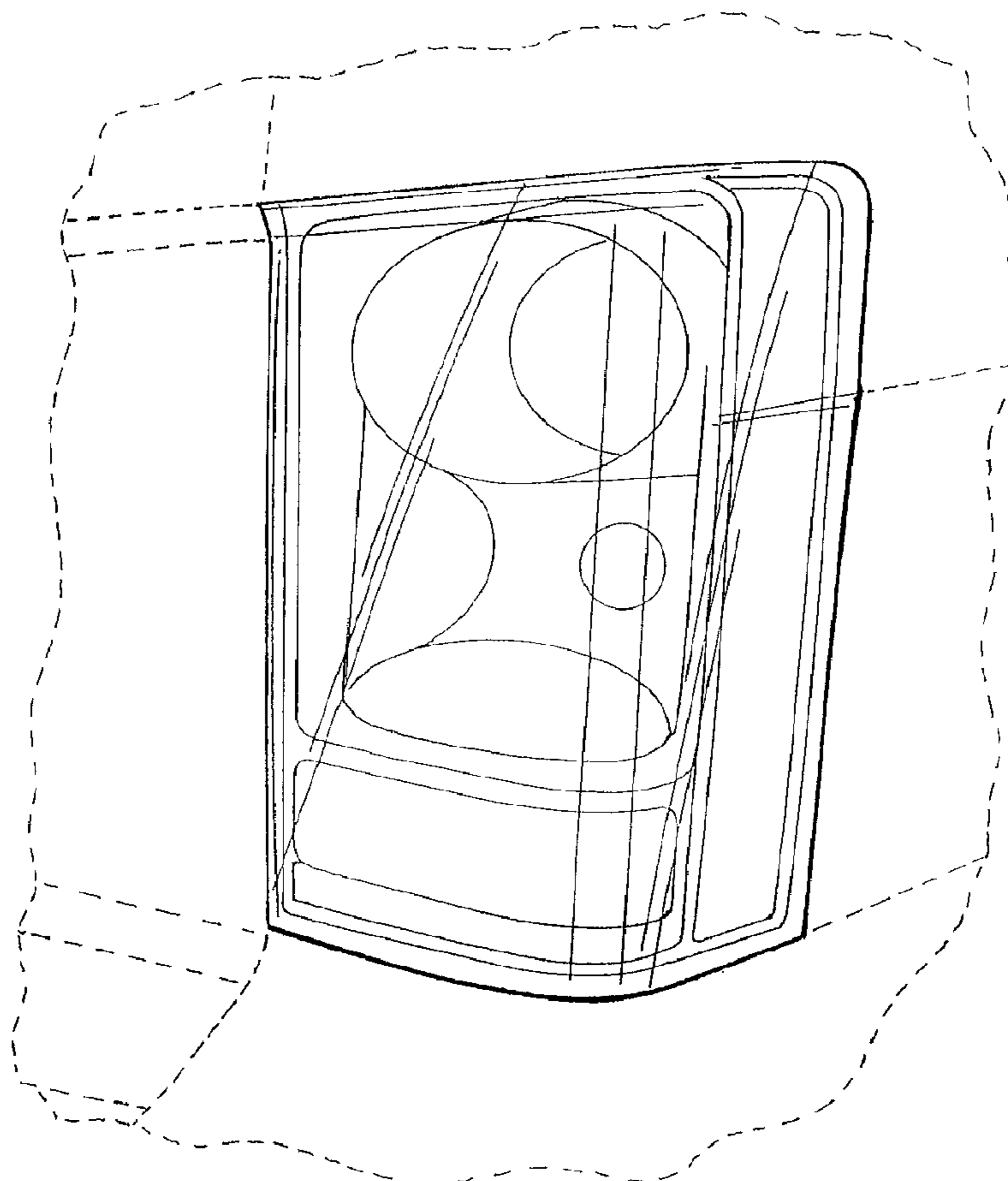
FIG. 4 is a perspective view of a left-handed version of the vehicle tail light;

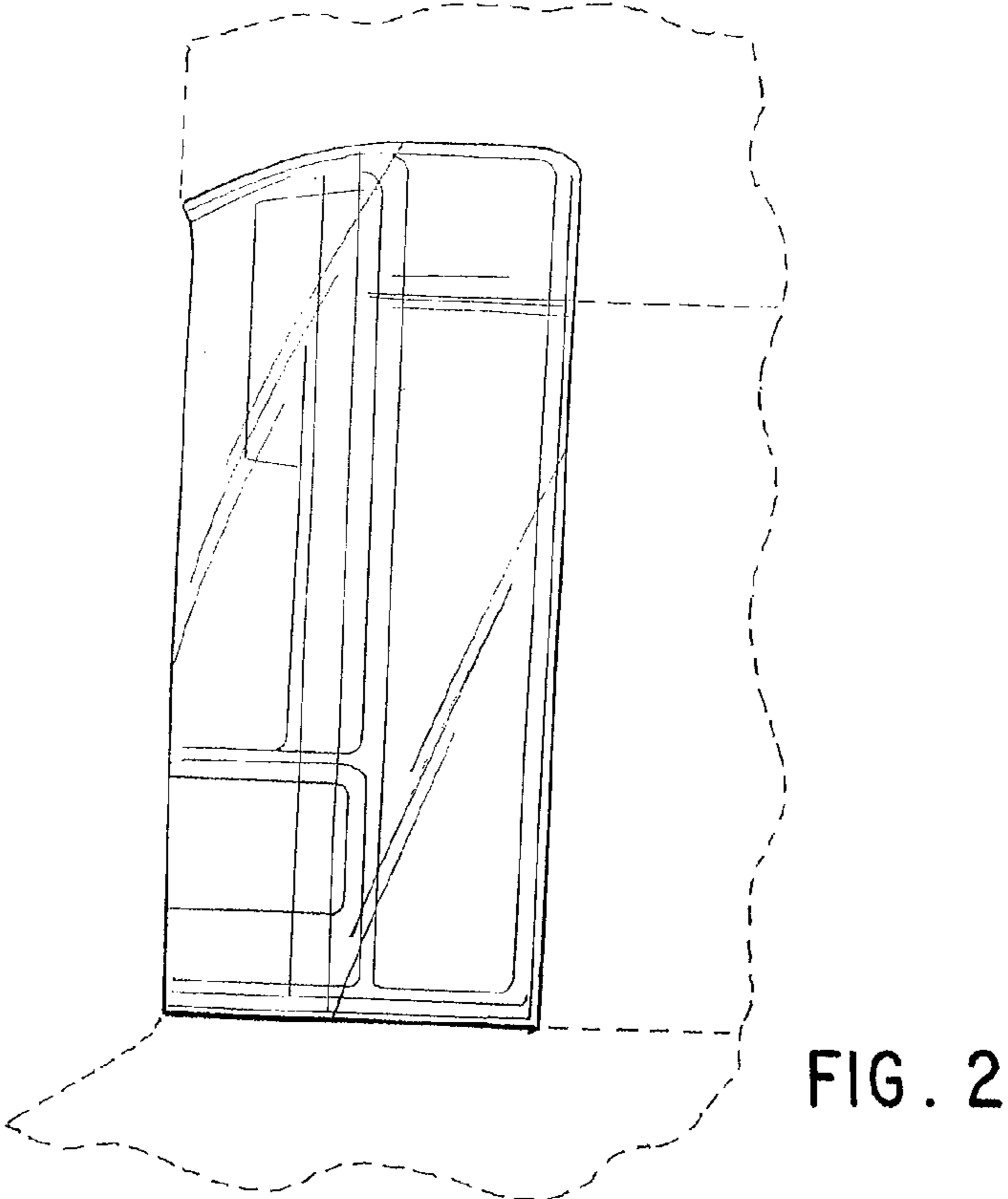
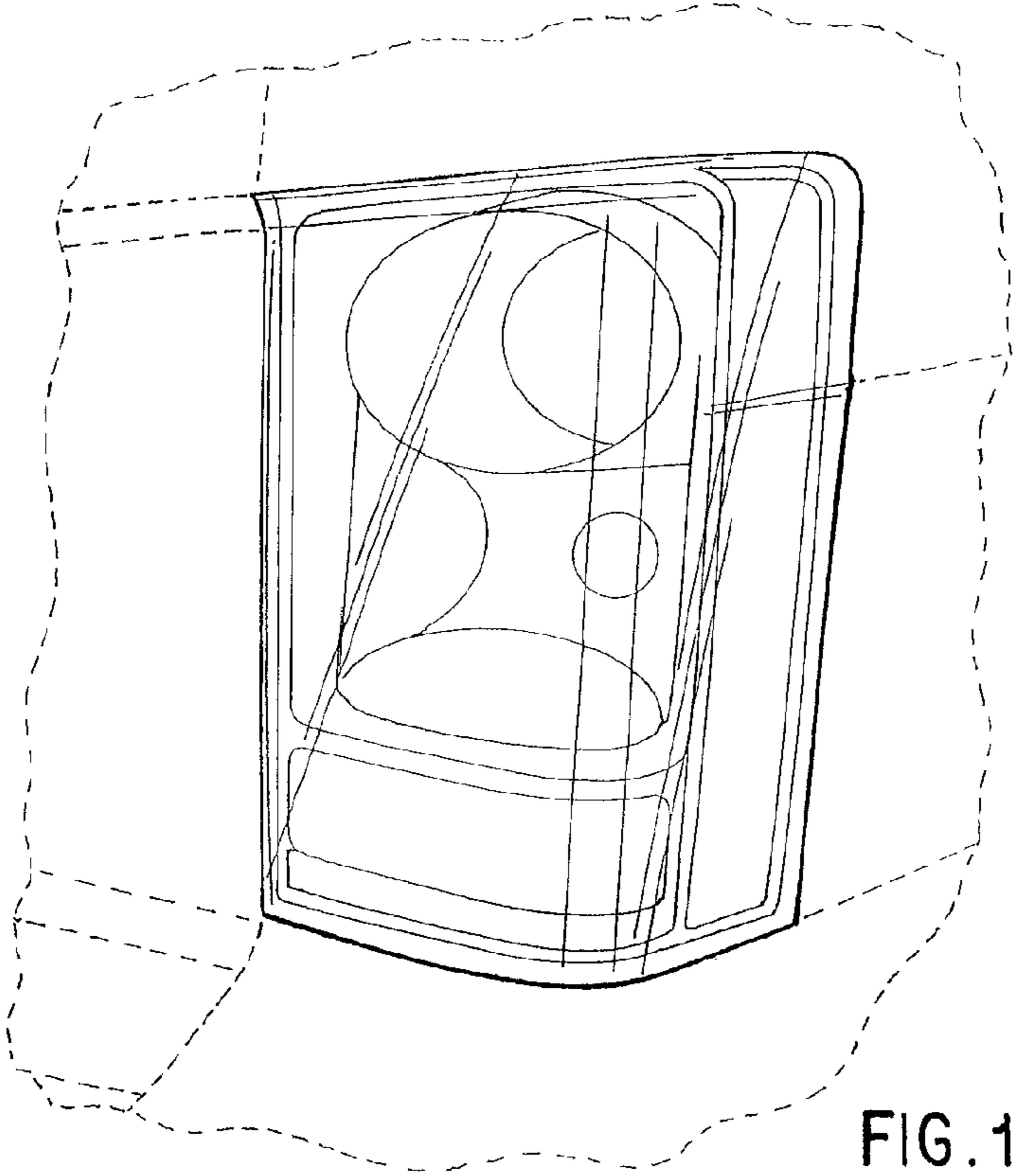
FIG. 5 is a side elevational view thereof; and,

FIG. 6 is a rear elevational view thereof.

The broken line showings of the vehicle body are for illustrative purposes only and form no part of the claimed design.

1 Claim, 4 Drawing Sheets





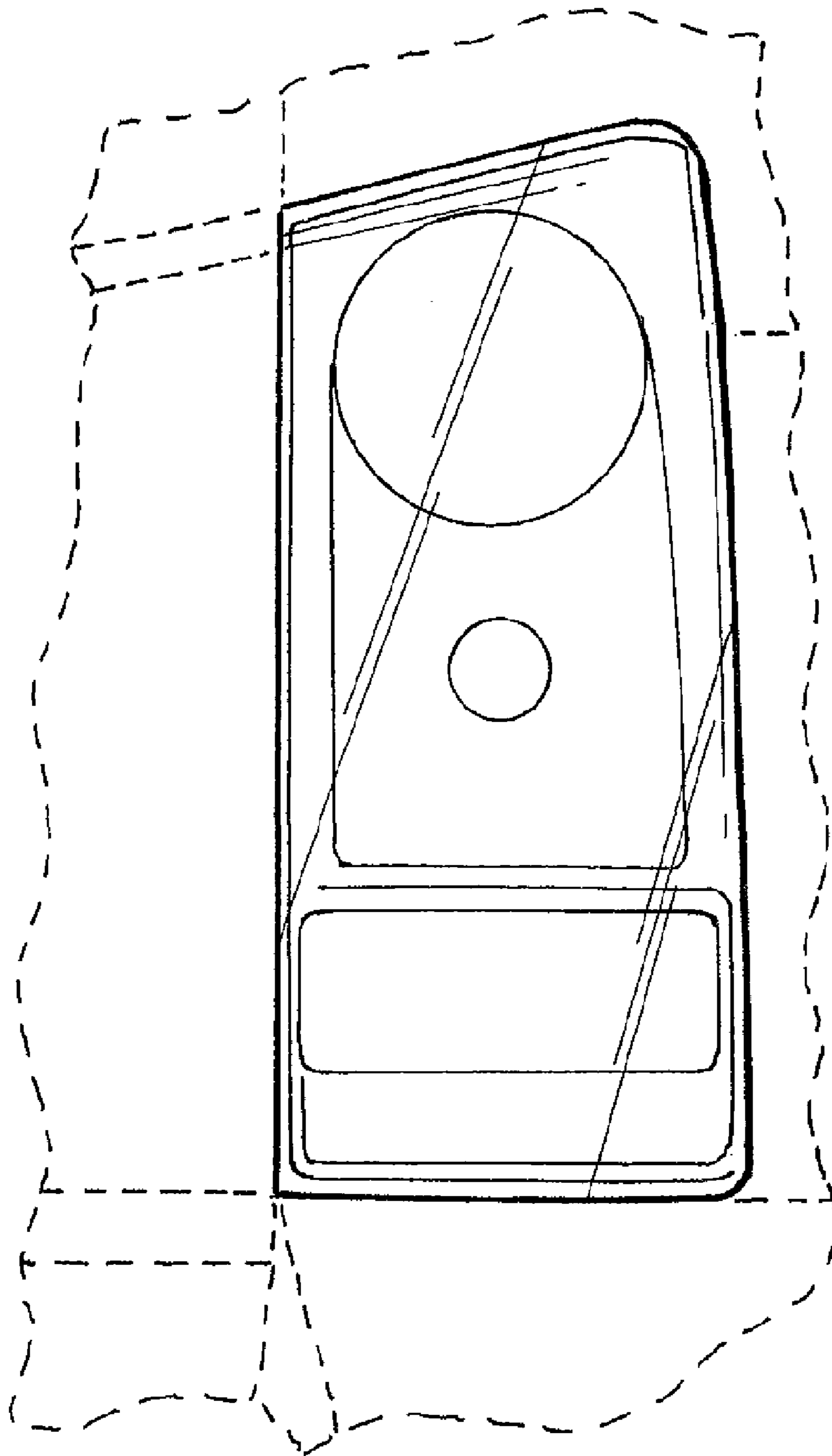


FIG. 3

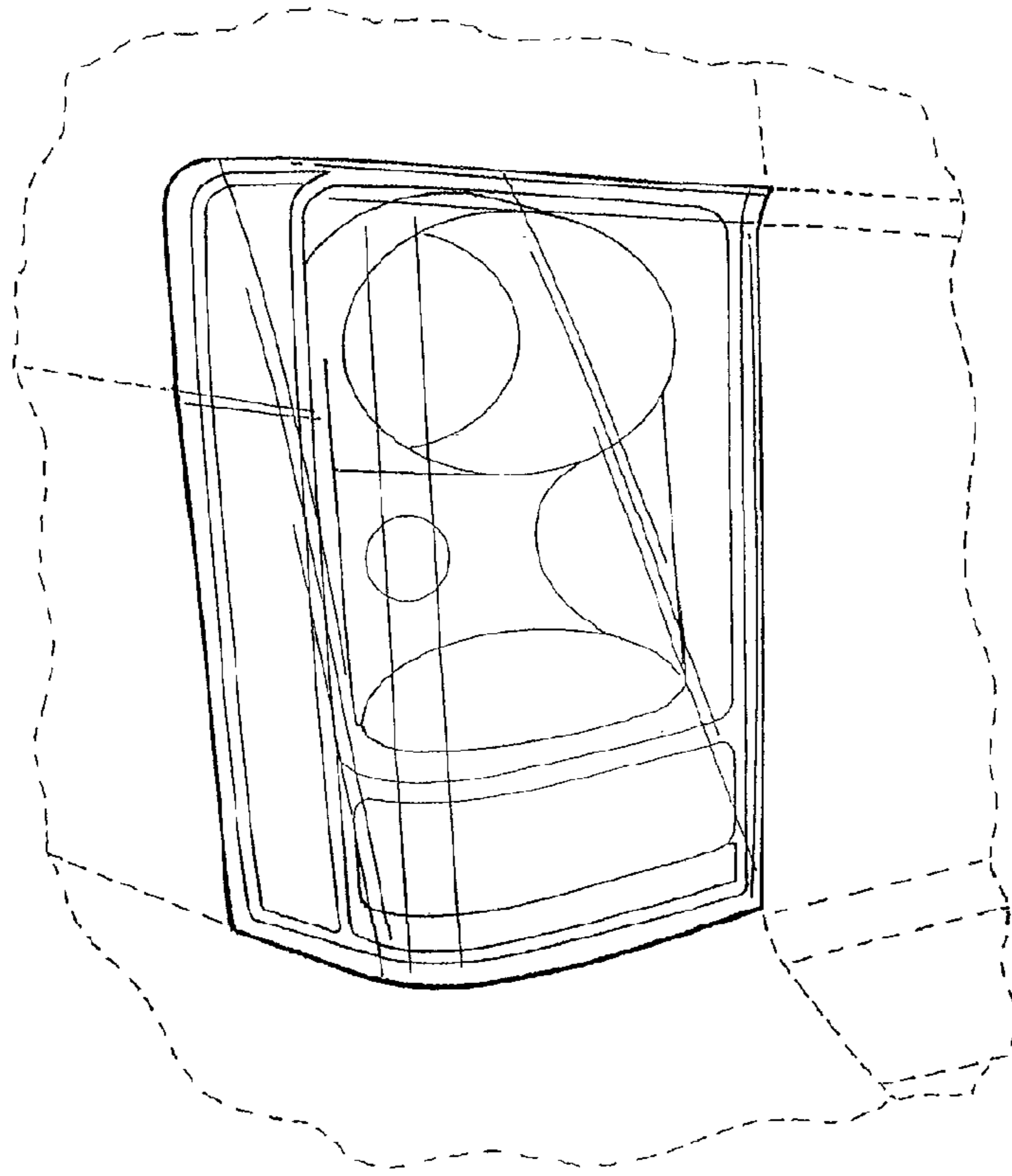


FIG. 4

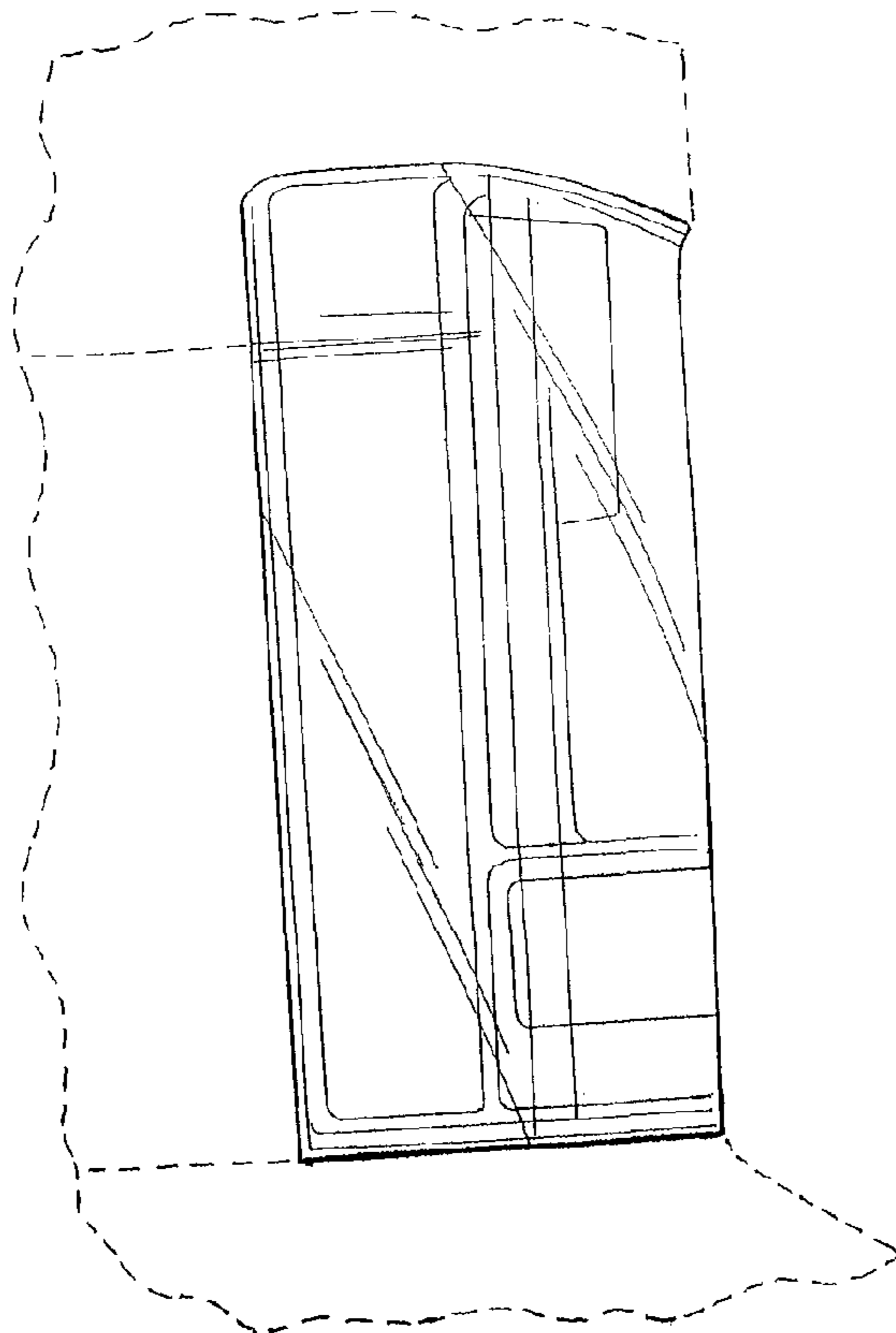


FIG. 5

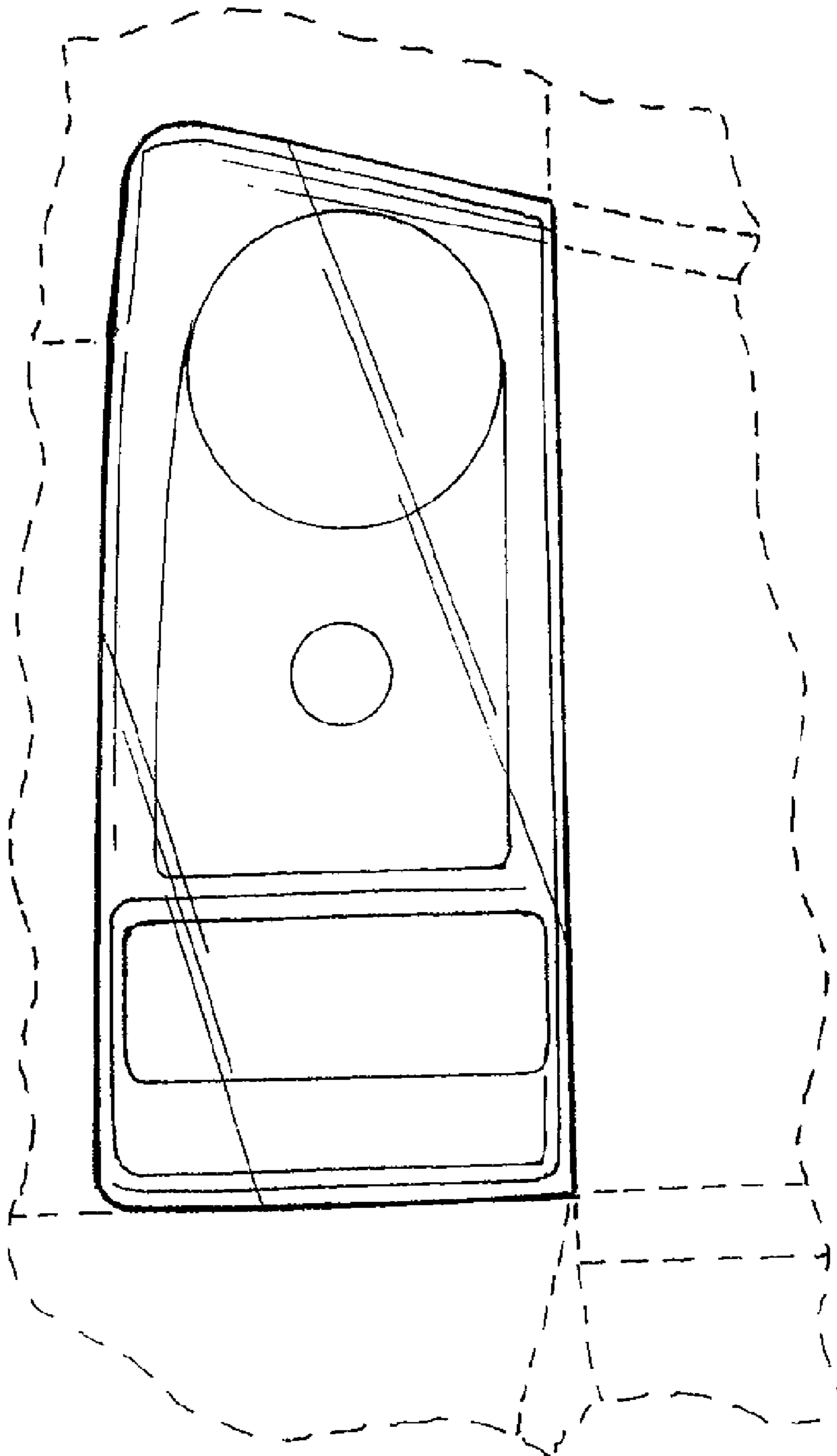


FIG. 6