



US00D584838S

(12) **United States Design Patent**  
**To et al.**

(10) **Patent No.:** **US D584,838 S**  
(45) **Date of Patent:** **\*\* Jan. 13, 2009**

(54) **SOLID STATE LIGHTING SPOT**

D535,038 S \* 1/2007 Egawa et al. .... D26/2  
D553,266 S \* 10/2007 Maxik ..... D26/2  
D566,300 S \* 4/2008 Lo ..... D26/2

(75) Inventors: **Ernest Kin Man To**, Hong Kong (HK);  
**Yongsi Bi**, Shanghai (CN)

(73) Assignee: **Koninklijke Philips Electronics N.V.**,  
Eindhoven (NL)

\* cited by examiner

*Primary Examiner*—Marcus A. Jackson

(\*\*) Term: **14 Years**

(57) **CLAIM**

(21) Appl. No.: **29/318,542**

The ornamental design for a solid state lighting spot, as shown.

(22) Filed: **May 22, 2008**

(30) **Foreign Application Priority Data**

**DESCRIPTION**

Nov. 28, 2007 (EM) ..... 000833512

(51) **LOC (9) Cl.** ..... **26-04**

(52) **U.S. Cl.** ..... **D26/2**

(58) **Field of Classification Search** ..... D26/1-4;  
313/313, 315, 317, 318, 493; 315/52, 53,  
315/56, 57, 58

See application file for complete search history.

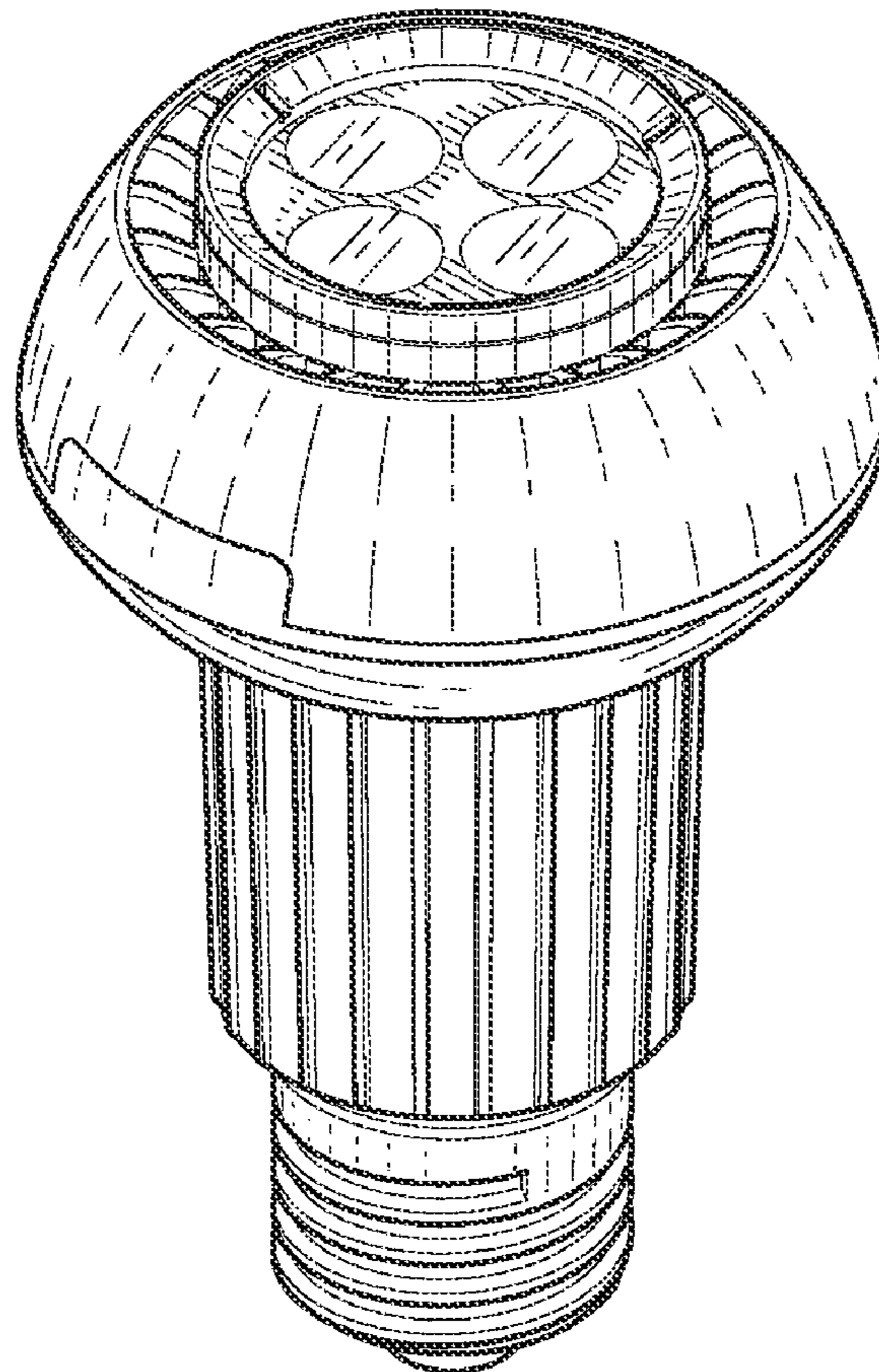
FIG. 1 is a perspective view showing my design;  
FIG. 2 is a front elevational view thereof;  
FIG. 3 is a rear elevational view thereof;  
FIG. 4 is a right side elevational view thereof;  
FIG. 5 is a left side elevational view thereof;  
FIG. 6 is a top plan view thereof; and,  
FIG. 7 is a bottom plan view thereof.

(56) **References Cited**

**U.S. PATENT DOCUMENTS**

D532,532 S \* 11/2006 Maxik ..... D26/2

**1 Claim, 3 Drawing Sheets**



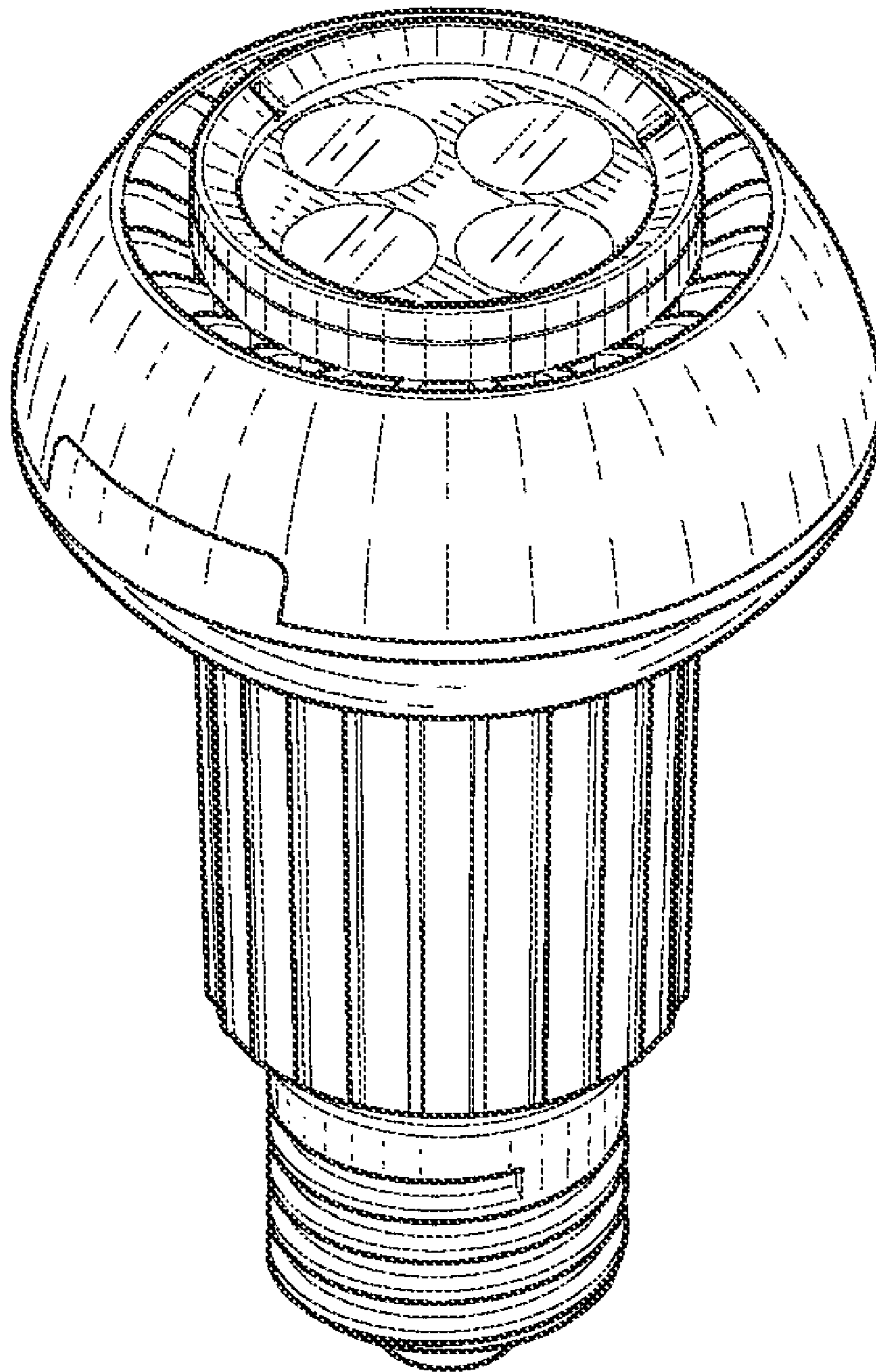


FIG. 1

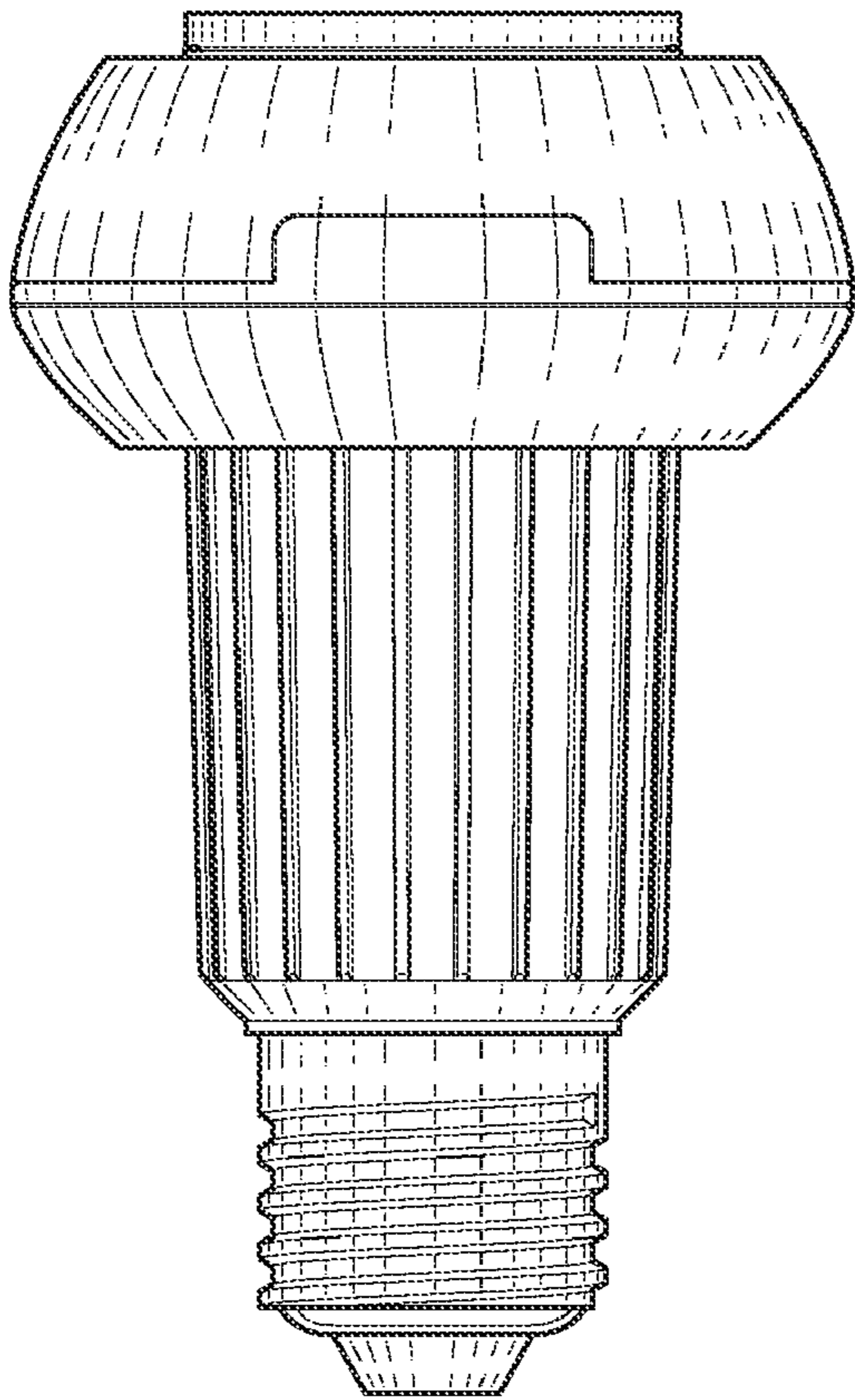


FIG. 2

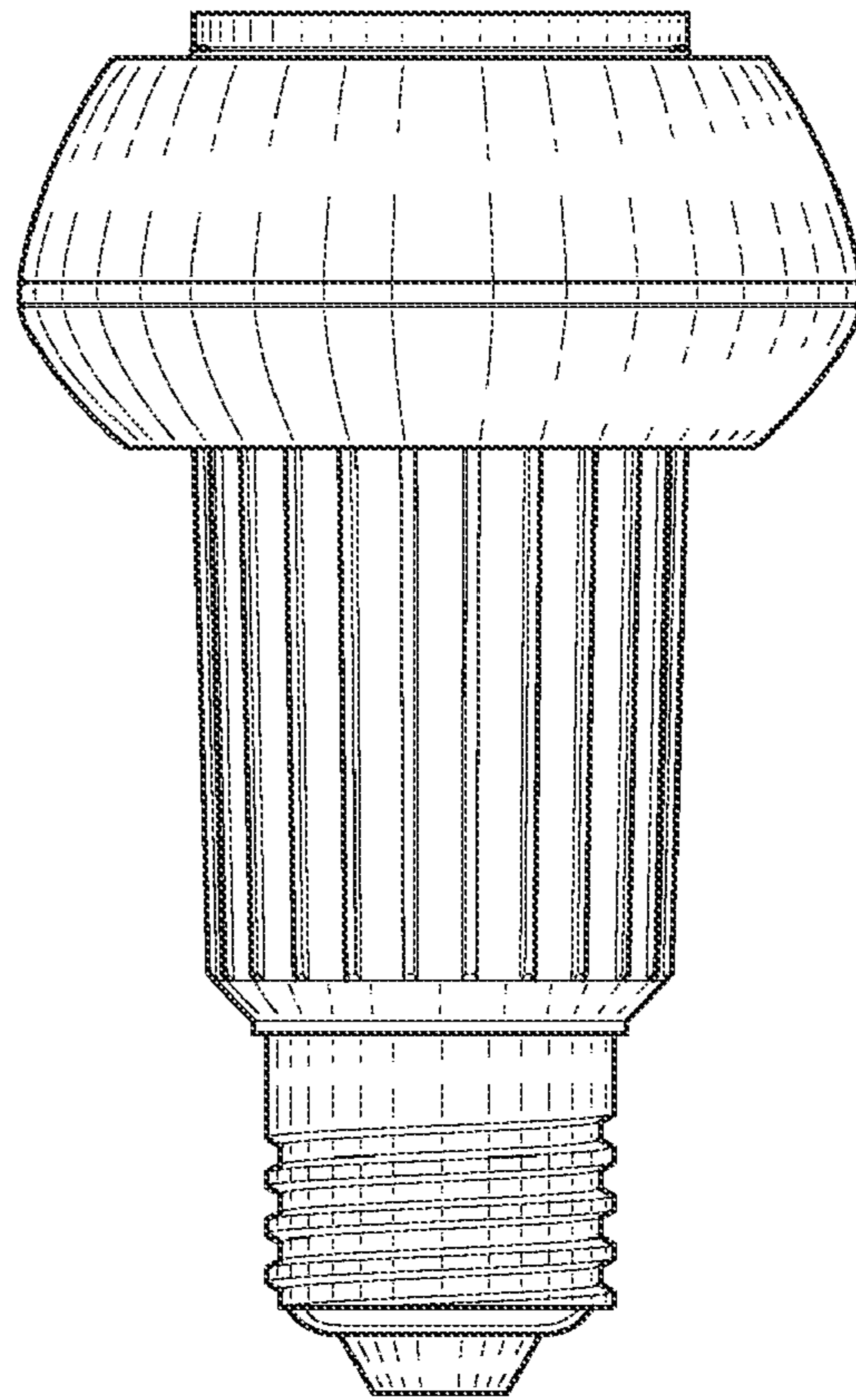


FIG. 3

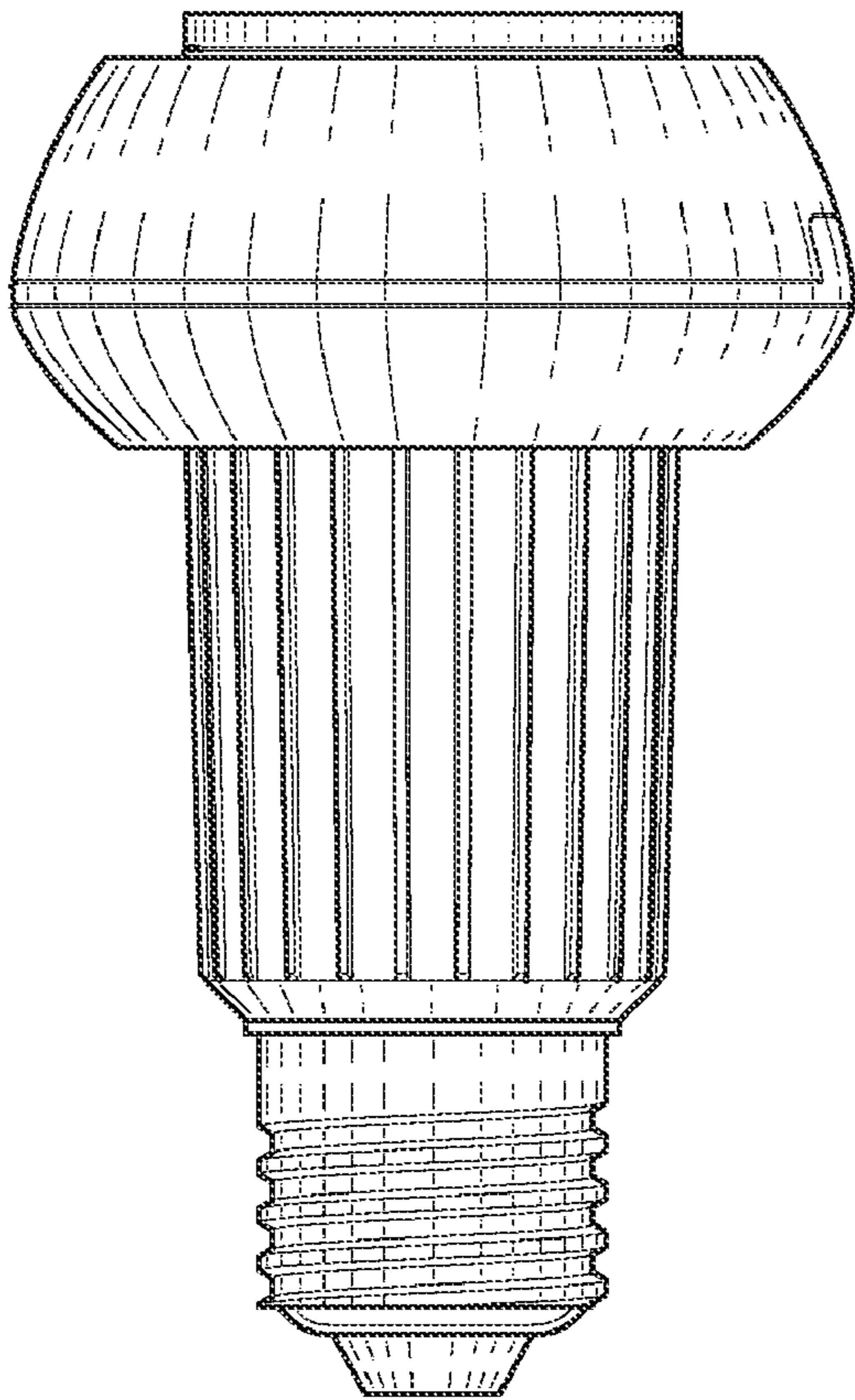


FIG. 4

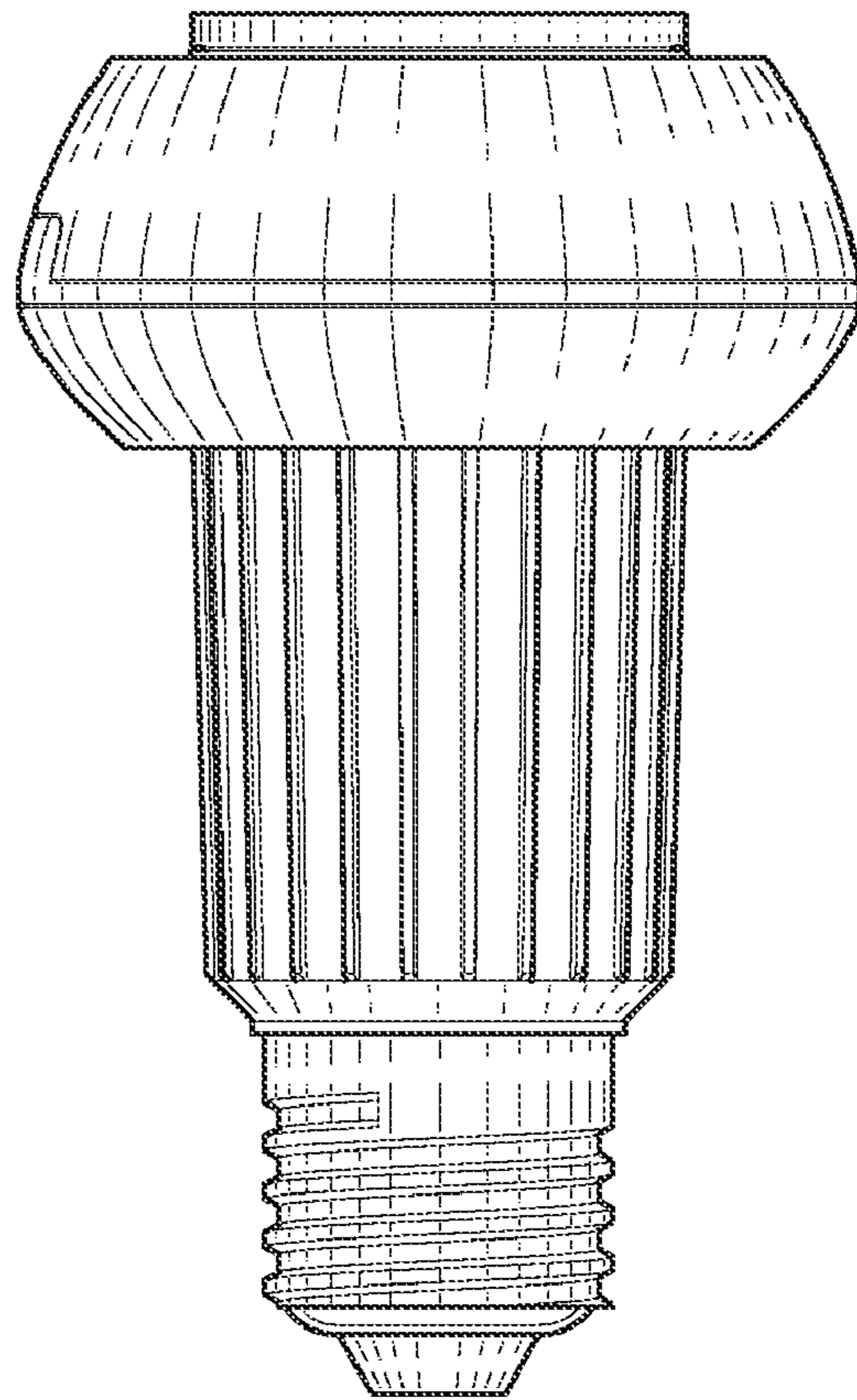


FIG. 5

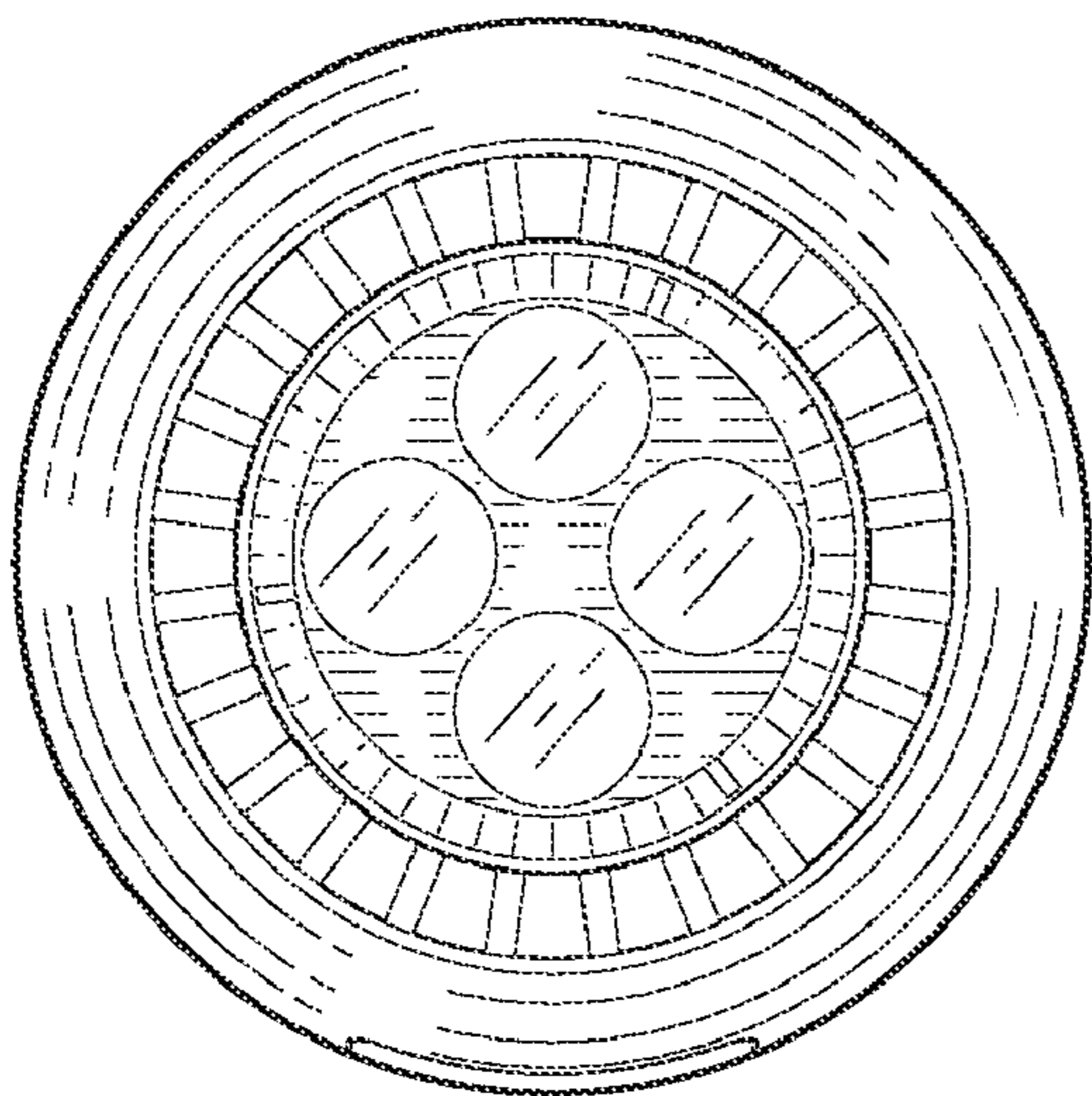


FIG. 6

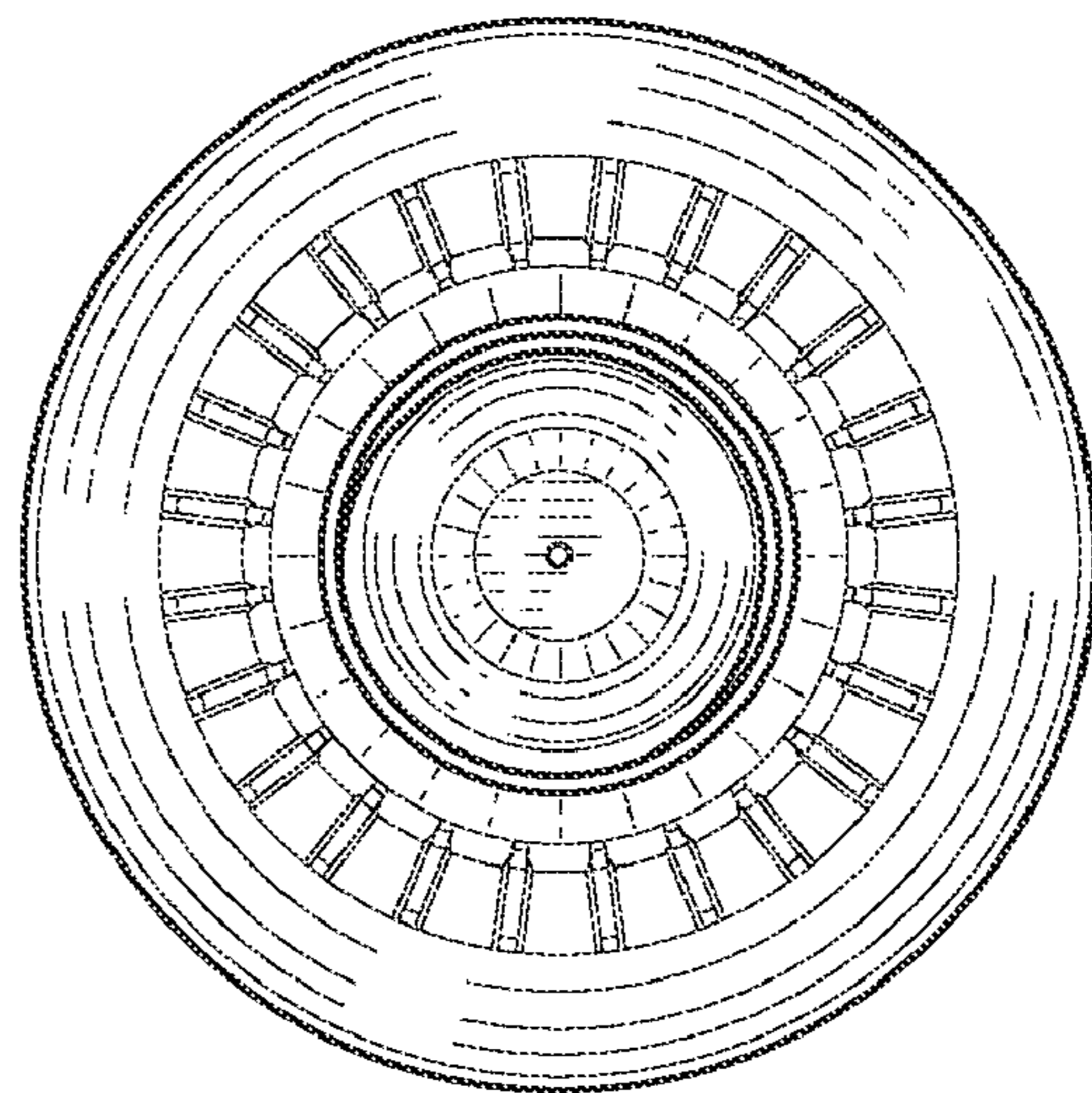


FIG. 7