



US00D584837S

(12) **United States Design Patent**
Mazzochette et al.

(10) **Patent No.:** **US D584,837 S**
(45) **Date of Patent:** **** Jan. 13, 2009**

(54) **LIGHTING FIXTURE**

(75) Inventors: **Joseph B. Mazzochette**, Cherry Hill, NJ (US); **Andrew Beregszaszi**, Philadelphia, PA (US); **Edward Bailey**, Westampton, NJ (US)

(73) Assignee: **Lamina Lighting, Inc.**, Westampton, NJ (US)

(**) Term: **14 Years**

(21) Appl. No.: **29/284,534**

(22) Filed: **Sep. 10, 2007**

(51) **LOC (9) Cl.** **26-04**

(52) **U.S. Cl.** **D26/2**

(58) **Field of Classification Search** D26/1-4;
313/313, 315, 317, 318, 493; 315/52, 53,
315/56, 57, 58

See application file for complete search history.

(56) **References Cited**

U.S. PATENT DOCUMENTS

- D538,951 S * 3/2007 Maxik et al. D26/2
- D545,457 S * 6/2007 Chen D26/2
- D546,980 S * 7/2007 Lo D26/2
- D551,784 S * 9/2007 Krieglmeier et al. D26/2
- D566,300 S * 4/2008 Lo D26/2

D572,385 S * 7/2008 Mazzochette et al. D26/2

* cited by examiner

Primary Examiner—Marcus A. Jackson

(74) *Attorney, Agent, or Firm*—Darby & Darby

(57) **CLAIM**

The ornamental design for a lighting fixture, as shown.

DESCRIPTION

FIG. 1 is a perspective view of the front left side of a lighting fixture;

FIG. 2 is a plan view of the front of the lighting fixture of FIG. 1;

FIG. 3 is a plan view of the left side of the lighting fixture of FIG. 1;

FIG. 4 is a plan view of the right side of the lighting fixture of FIG. 1;

FIG. 5 is a plan view of the top of the lighting fixture of FIG. 1;

FIG. 6 is a plan view of the back of the lighting fixture of FIG. 1; and,

FIG. 7 is a plan view of the bottom of the lighting fixture of FIG. 1.

The broken lines are for illustrative purposes only, and their presence and position form no part of the claimed design.

1 Claim, 4 Drawing Sheets

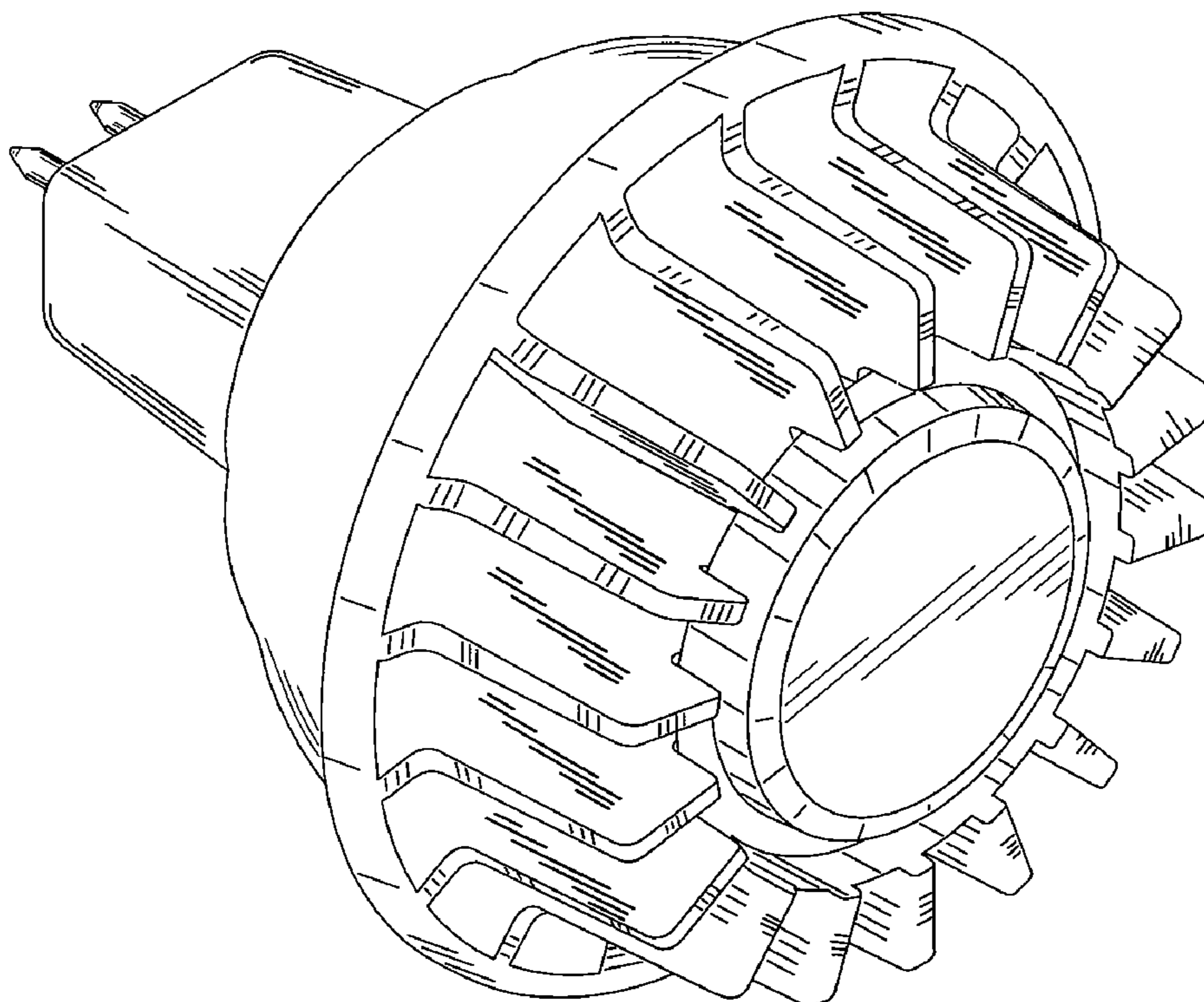


FIG. 1

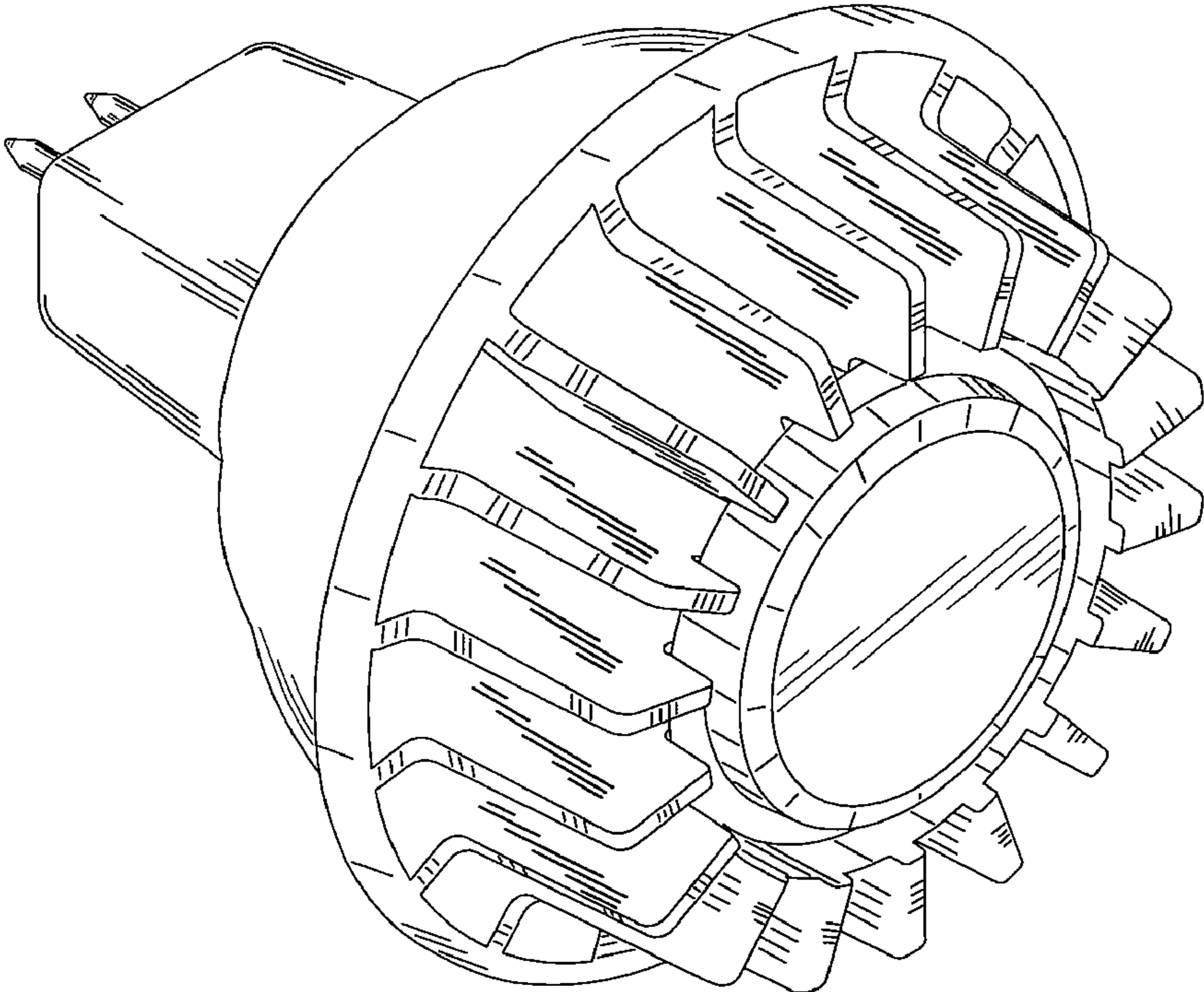


FIG. 2

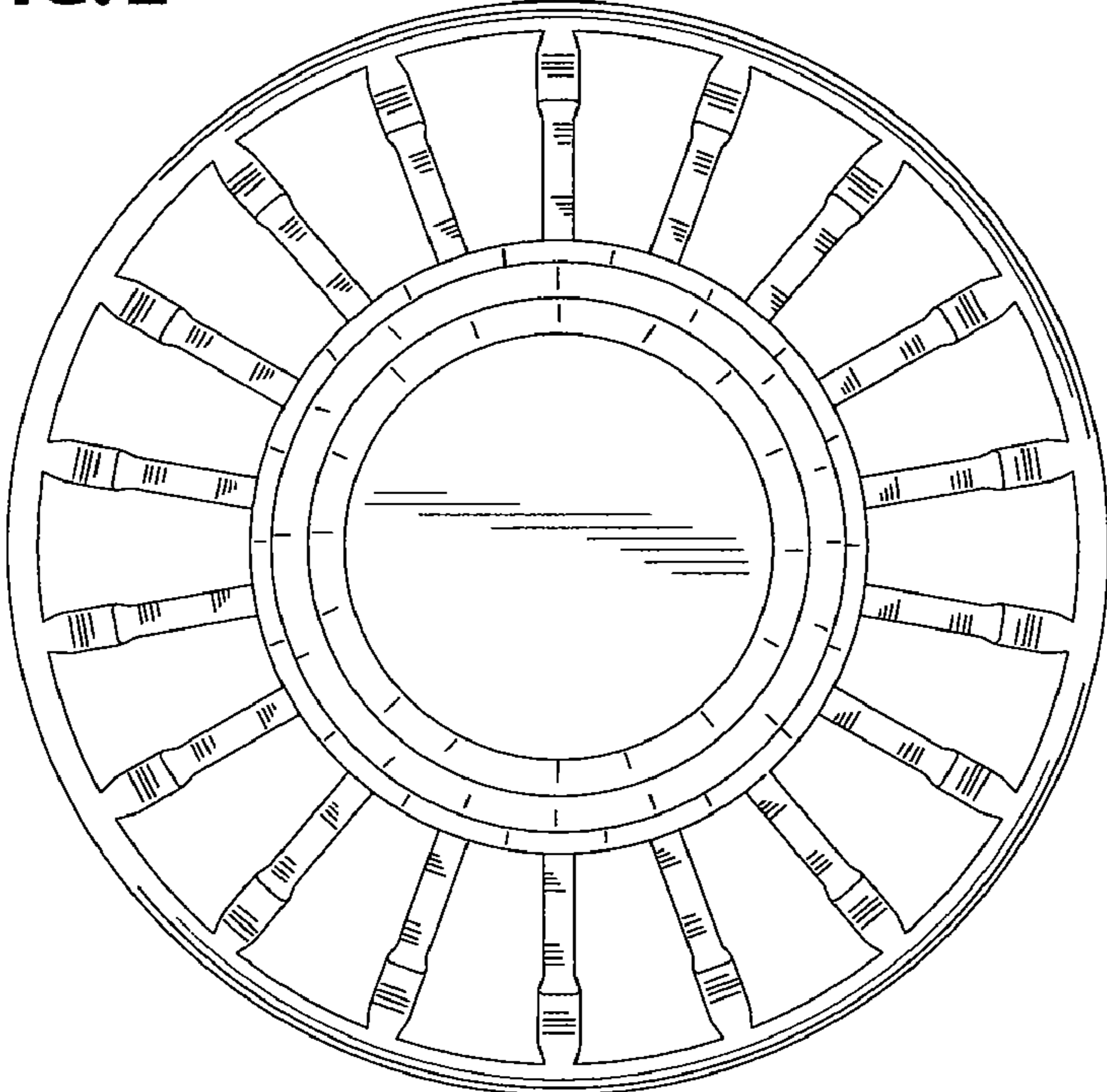


FIG. 3

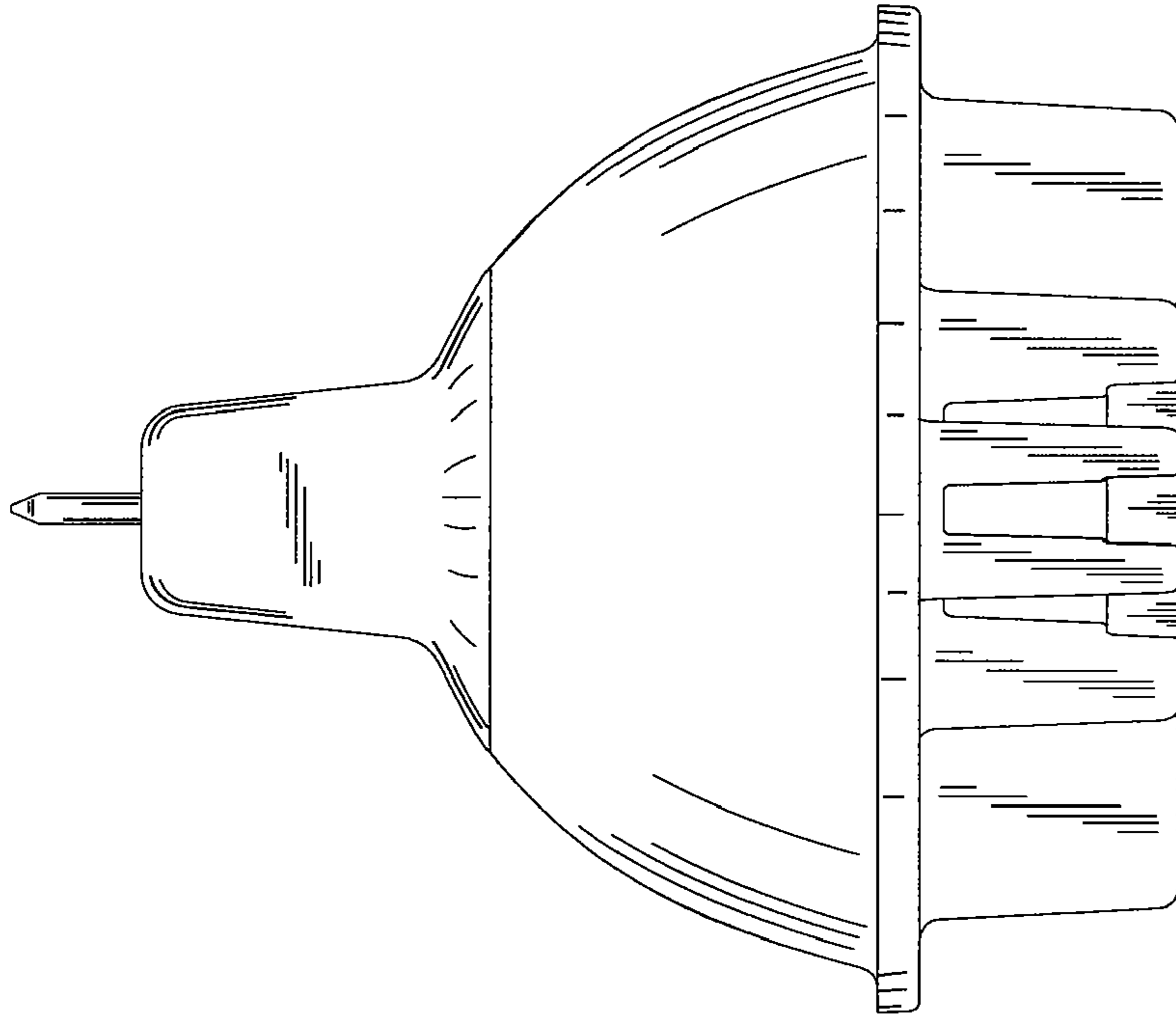


FIG. 4

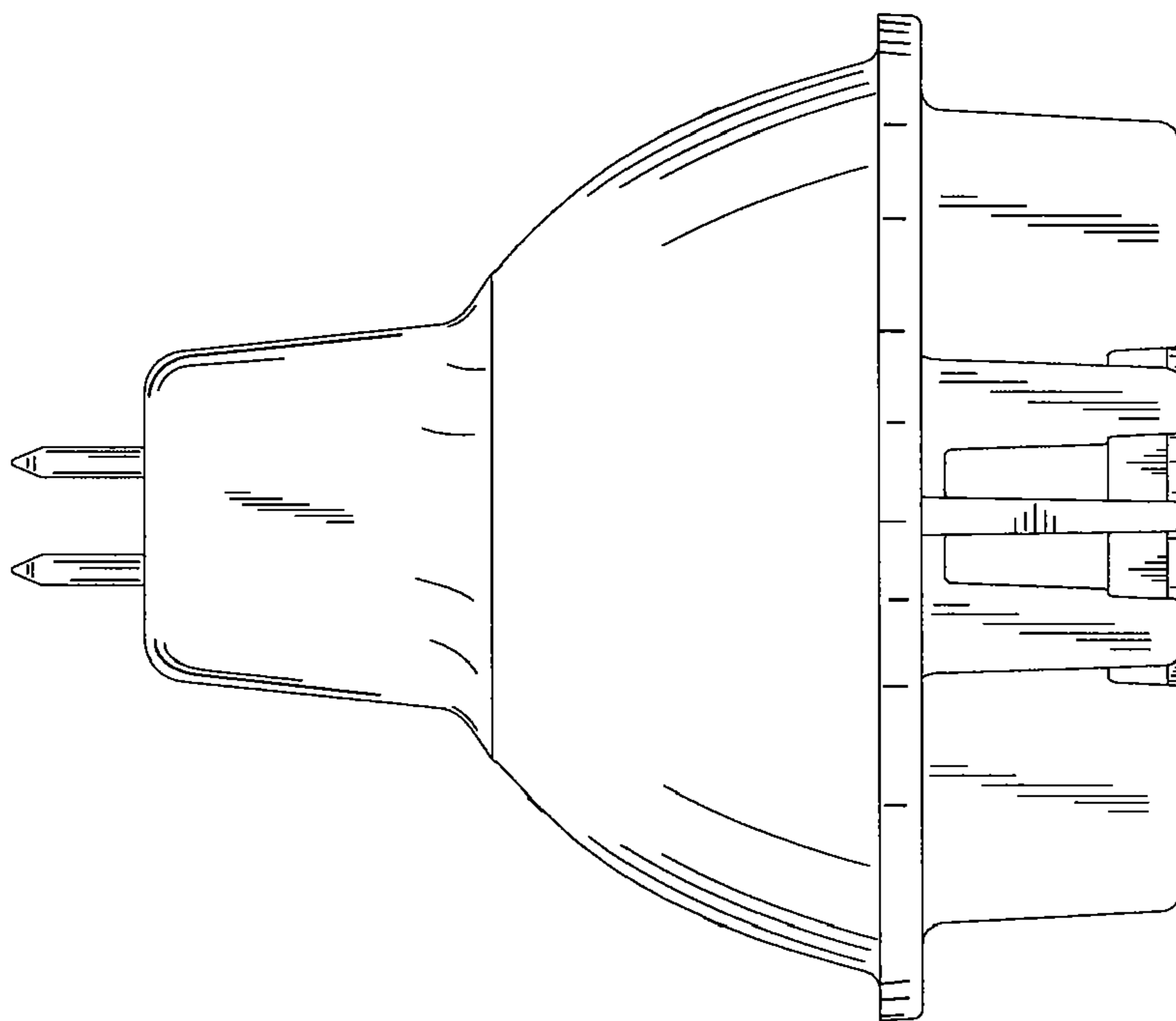


FIG. 5

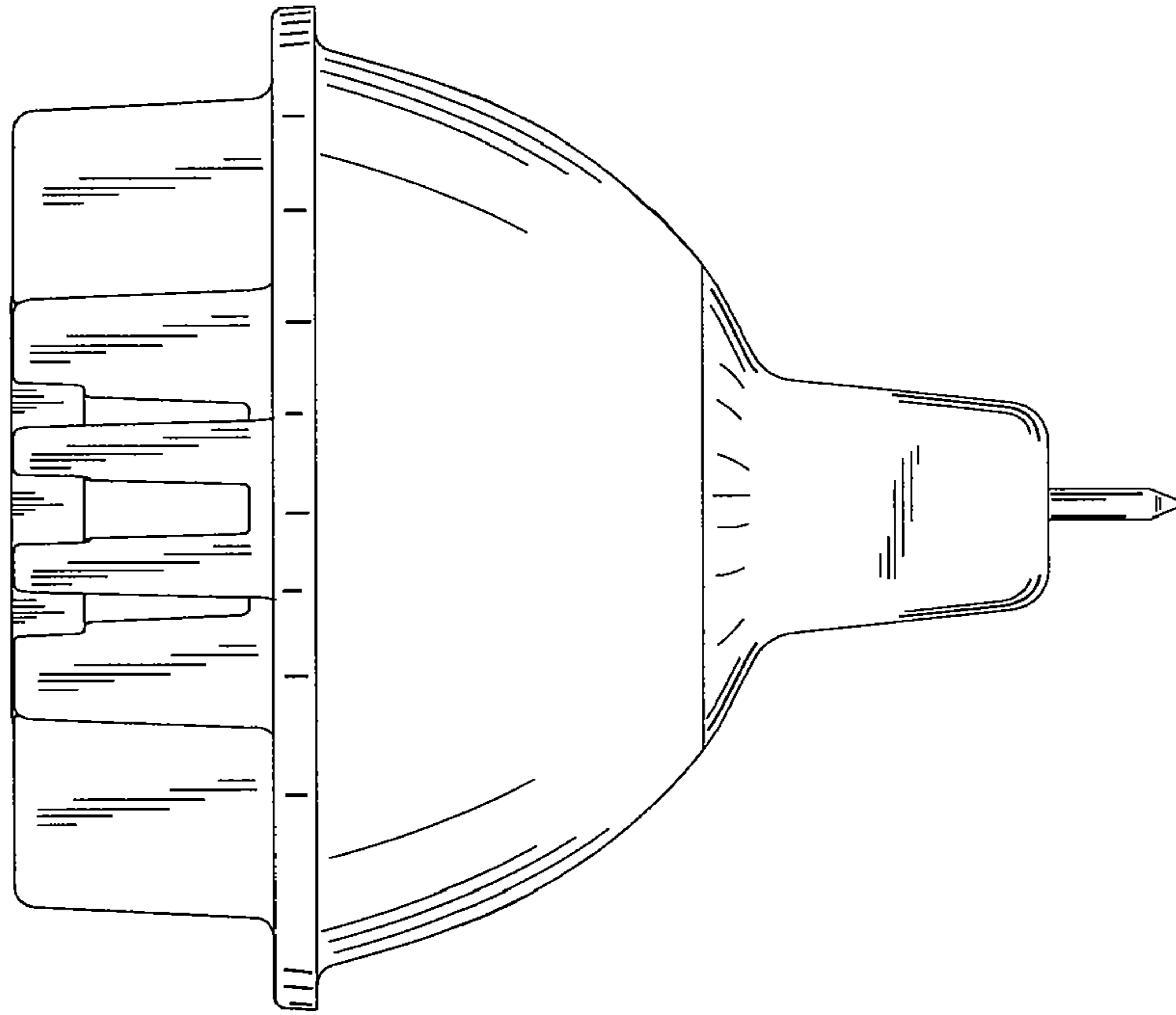


FIG. 6

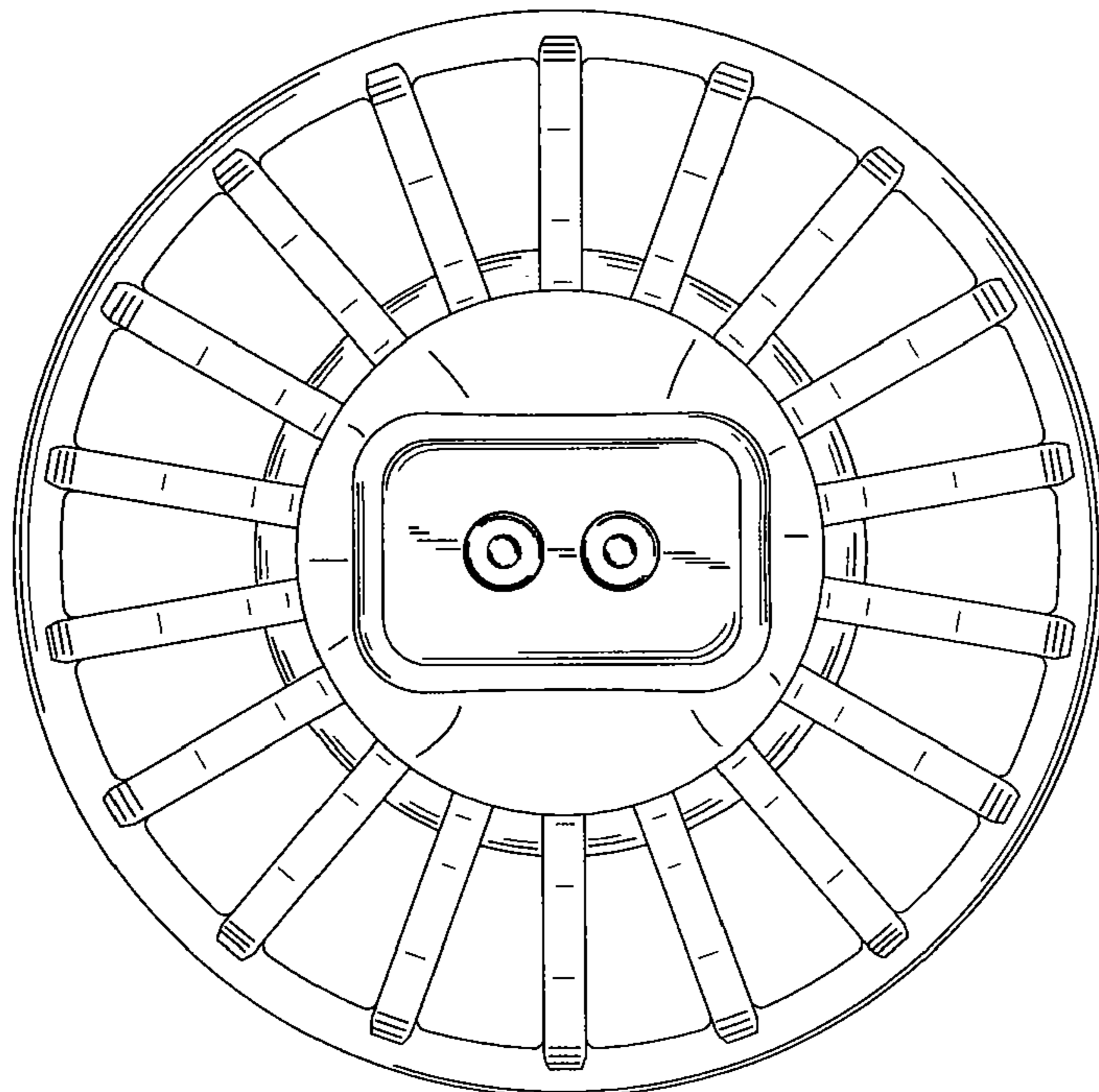


FIG. 7

