



US00D584836S

(12) **United States Design Patent**
Hakvoort et al.

(10) **Patent No.:** **US D584,836 S**
(45) **Date of Patent:** **** Jan. 13, 2009**

(54) **FIRE EXTINGUISHER**

(75) Inventors: **Marc Hakvoort**, Dedemsvaart (NL);
Gert-Jan Kommers, Dedemsvaart (NL)

(73) Assignee: **Komvoort Innovatie B.V.**, Dedemsvaart (NL)

(**) Term: **14 Years**

(21) Appl. No.: **29/300,547**

(22) Filed: **Apr. 7, 2008**

(30) **Foreign Application Priority Data**

Oct. 5, 2007 (EM) 000803119-0001

(51) **LOC (9) Cl.** **29-01**

(52) **U.S. Cl.** **D25/126**

(58) **Field of Classification Search** D29/125,
D29/126, 128, 129, 130; D9/527, 531, 536,
D9/707, 710; D23/202, 211.1, 213, 223,
D23/225; 169/74-89, 34, 36; D21/505
See application file for complete search history.

(56) **References Cited**

U.S. PATENT DOCUMENTS

D47,299 S * 5/1915 Hickish D29/126
D186,660 S * 11/1959 Mayhaem D23/202
D270,856 S * 10/1983 Peets et al. D23/202
D338,158 S * 8/1993 Poirier D23/211.1

D381,133 S * 7/1997 Schulte-Frankenfeld ... D29/125
D386,240 S * 11/1997 Howseman, Jr. D23/202
D401,582 S * 11/1998 Gremchuck D14/210
D467,846 S * 12/2002 McGee D12/194
D497,970 S * 11/2004 Nichols D23/202
D505,164 S * 5/2005 McCabe D21/505
D528,425 S * 9/2006 Van Dorin et al. D9/527
D538,357 S * 3/2007 Salmon D21/505
D550,569 S * 9/2007 Berman D9/707

* cited by examiner

Primary Examiner—Holly H Baynham

Assistant Examiner—Cynthia M Chin

(74) *Attorney, Agent, or Firm*—Oliff & Berridge, PLC

(57) **CLAIM**

The ornamental design for a fire extinguisher, as shown and described.

DESCRIPTION

FIG. 1 is a perspective view of a fire extinguisher;

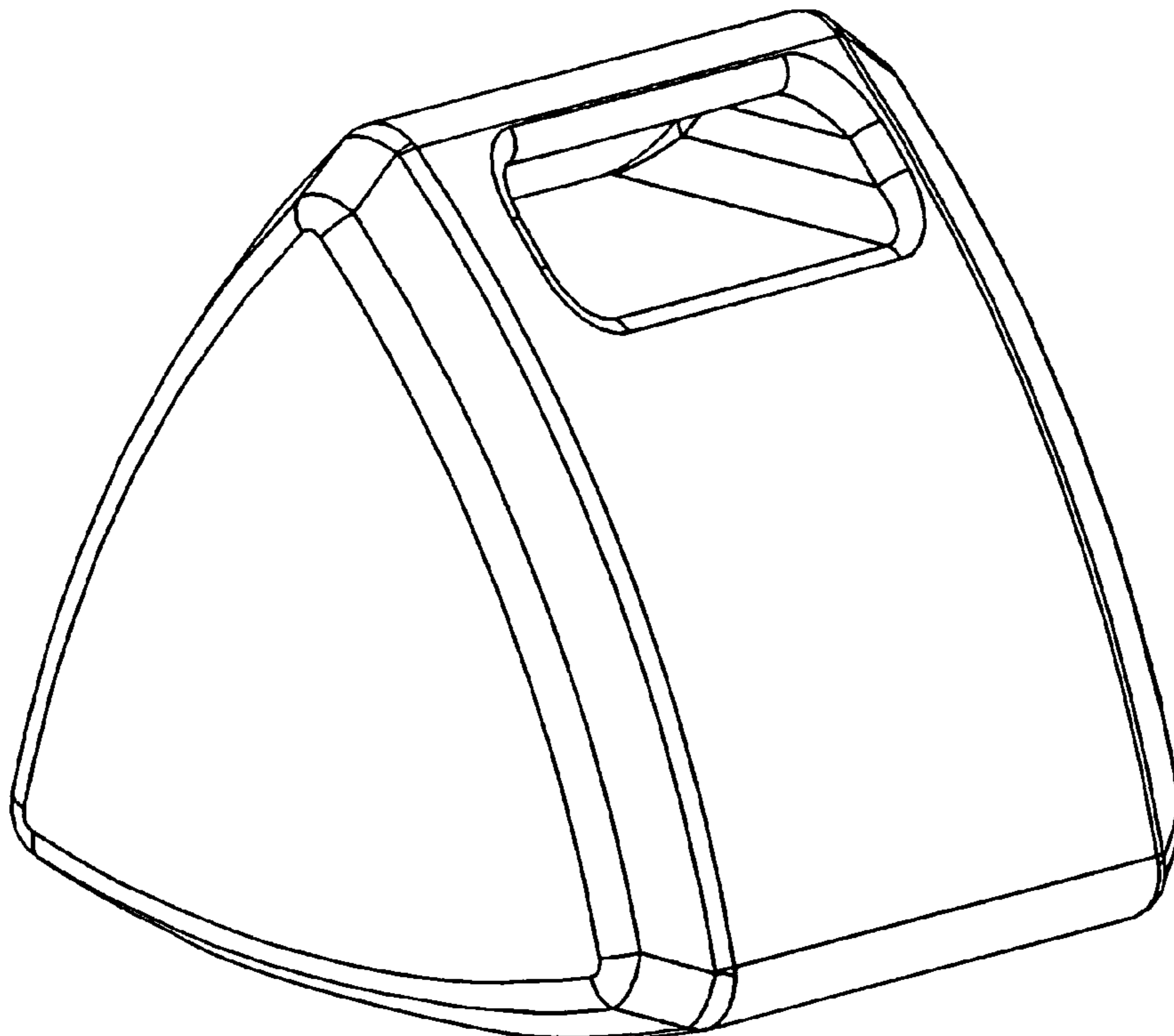
FIG. 2 is a front view thereof, the rear view being a mirror image;

FIG. 3 is a top view thereof;

FIG. 4 is a right-side view thereof, the left-side view being a mirror image; and,

FIG. 5 is a bottom view thereof.

1 Claim, 3 Drawing Sheets



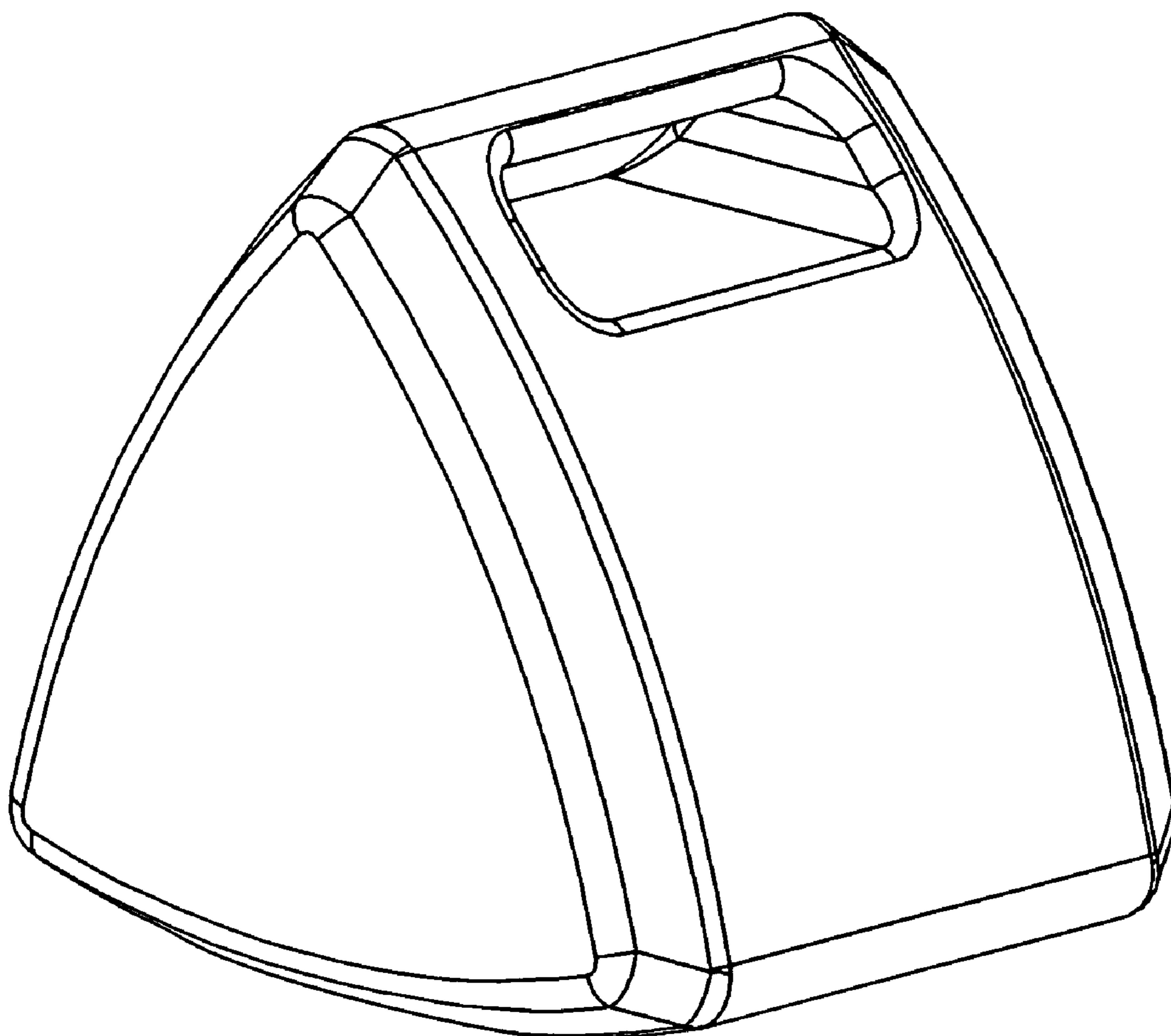


FIG. 1

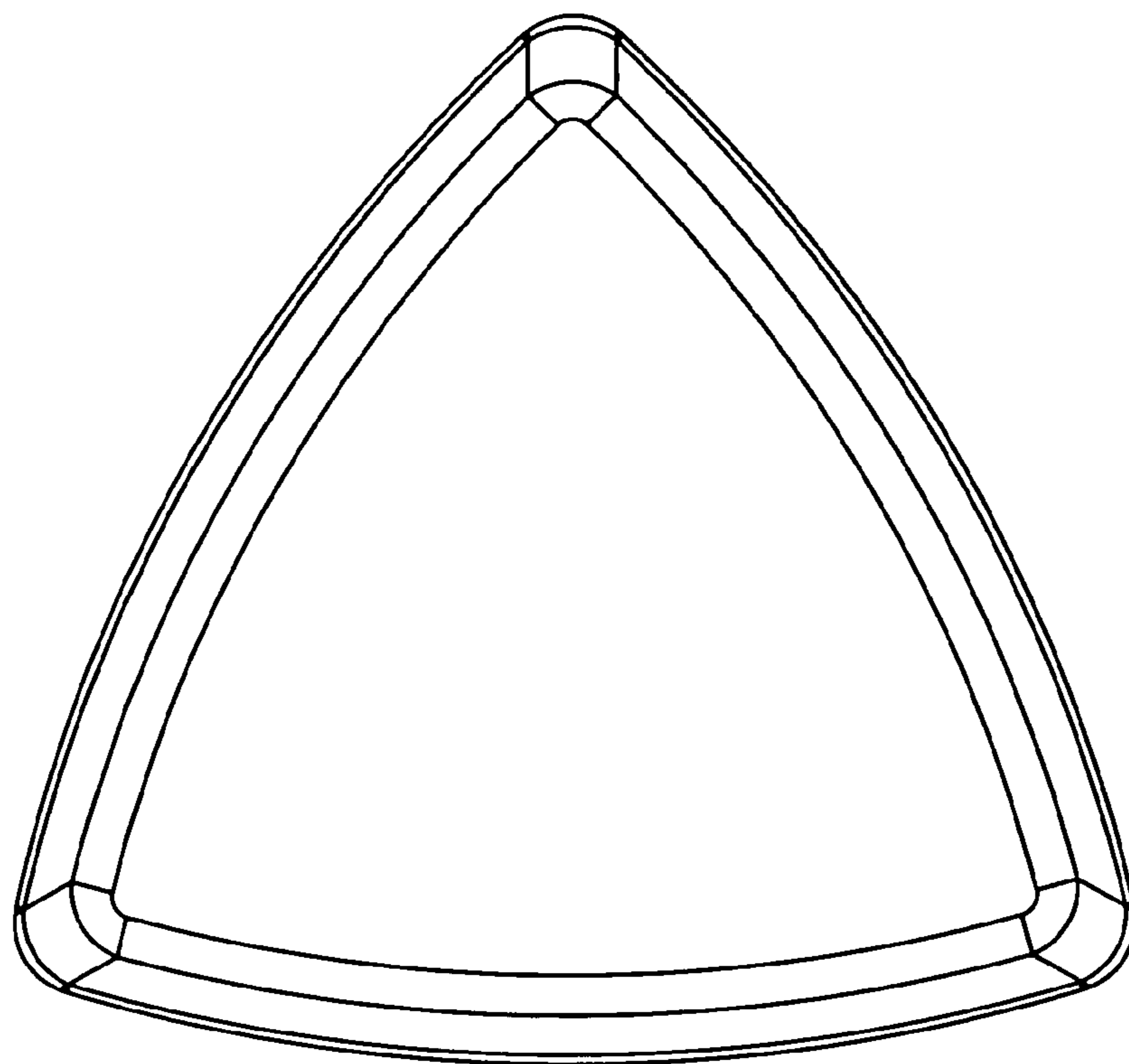


FIG. 2

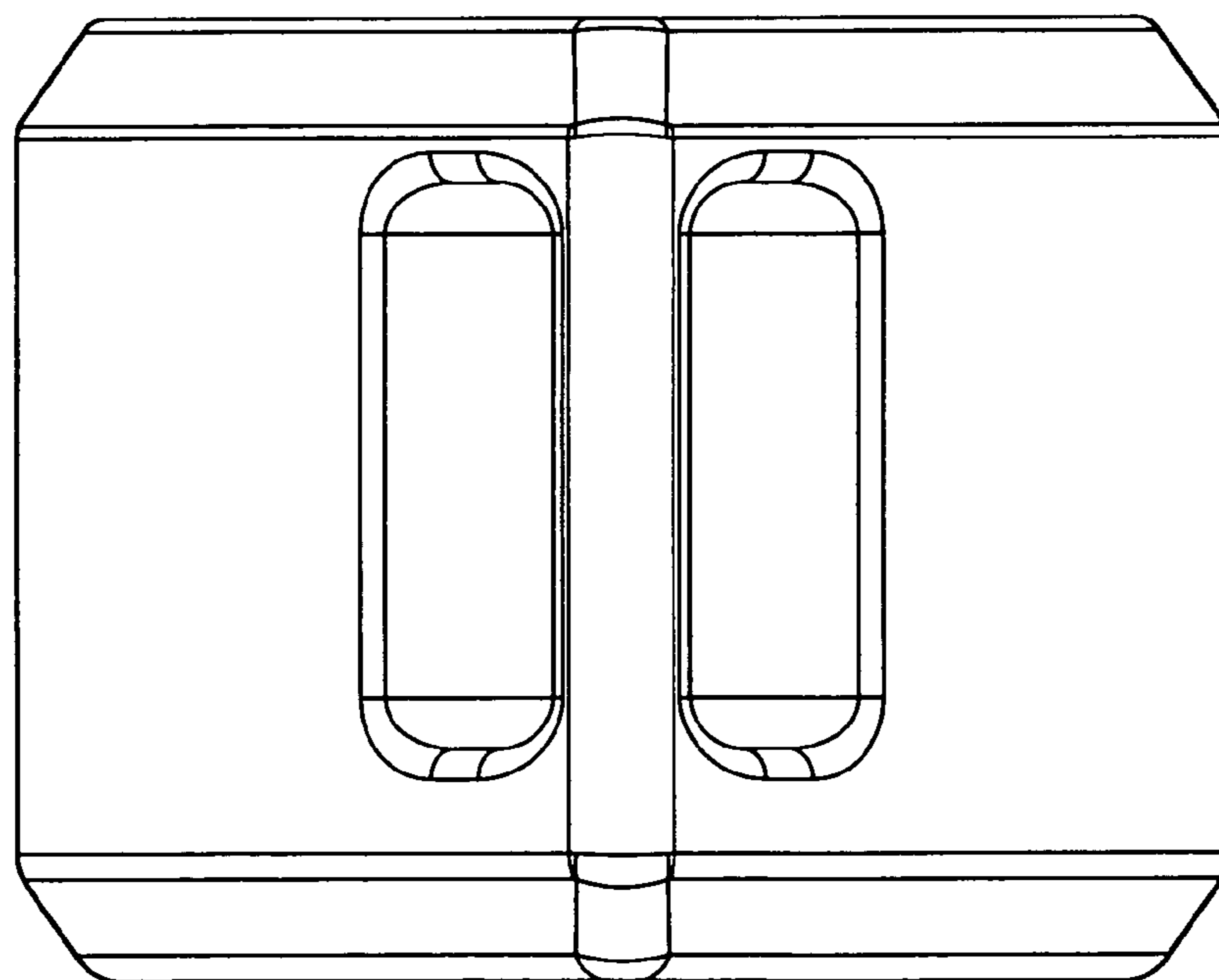


FIG. 3

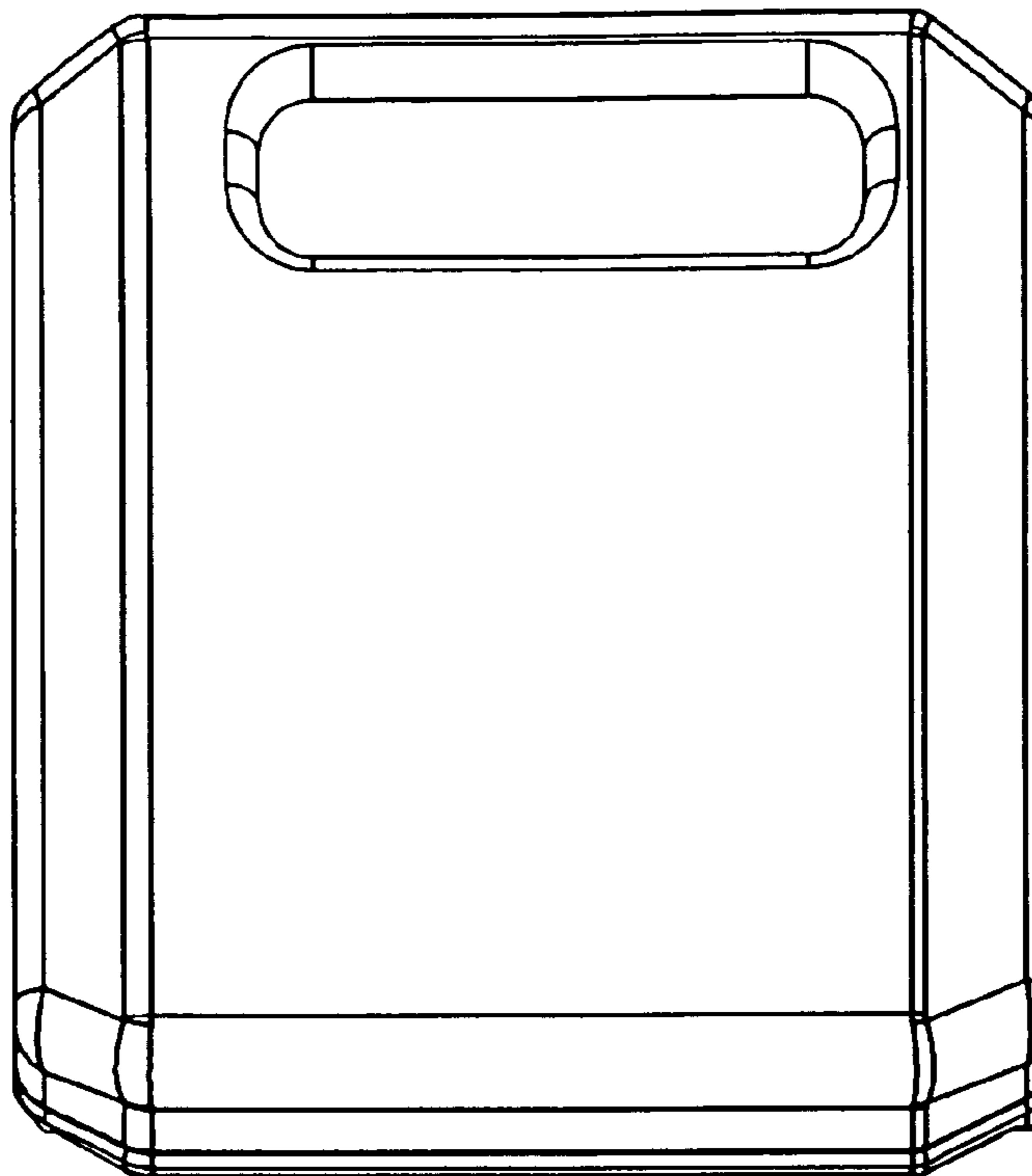


FIG. 4

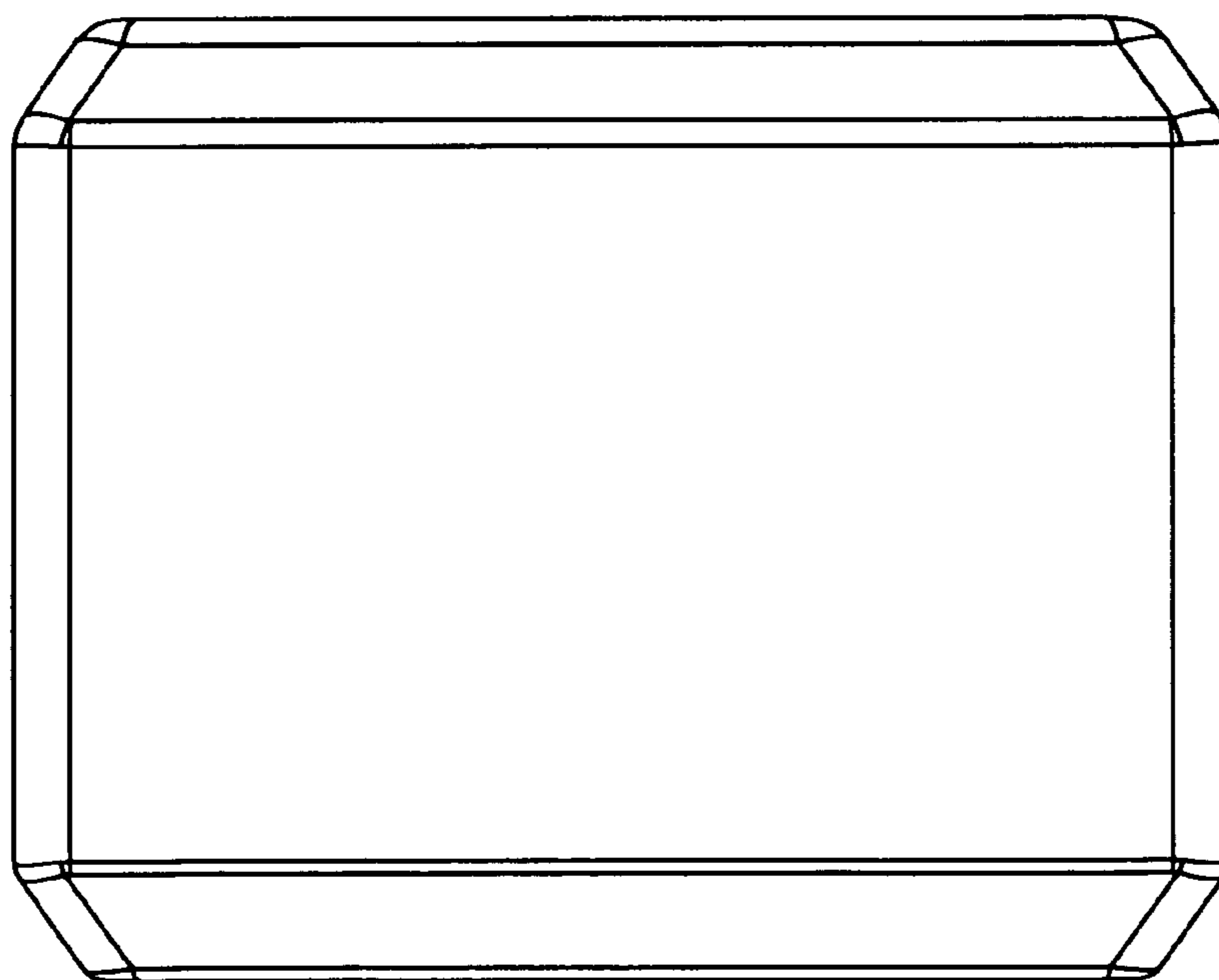


FIG. 5