



US00D584835S

(12) **United States Design Patent**  
**Adderton**

(10) **Patent No.:** **US D584,835 S**  
(45) **Date of Patent:** **\*\* Jan. 13, 2009**

(54) **RAIL**

D375,175 S \* 10/1996 DiGiorgio ..... D25/124  
7,168,689 B2 \* 1/2007 Giralt ..... 256/59

(76) Inventor: **David Adderton**, 3 Staite Street,  
Wingfield, South Australia (AU) 5013

(\*\*) Term: **14 Years**

\* cited by examiner

(21) Appl. No.: **29/294,300**

*Primary Examiner*—Doris Clark  
(74) *Attorney, Agent, or Firm*—Olson & Cepuritis, Ltd.

(22) Filed: **Jan. 3, 2008**

(57) **CLAIM**

(30) **Foreign Application Priority Data**

The ornamental design for a rail, as shown and described.

Jul. 6, 2007 (AU) ..... 18737/2007

(51) **LOC (9) Cl.** ..... **25-01**

(52) **U.S. Cl.** ..... **D25/124; D25/38**

(58) **Field of Classification Search** ..... 256/1,  
256/59, 65.01, 65.02, 65.04, 65.05, 65.15,  
256/65.16; 52/191; 182/106, 113; D25/38,  
D25/124

See application file for complete search history.

**DESCRIPTION**

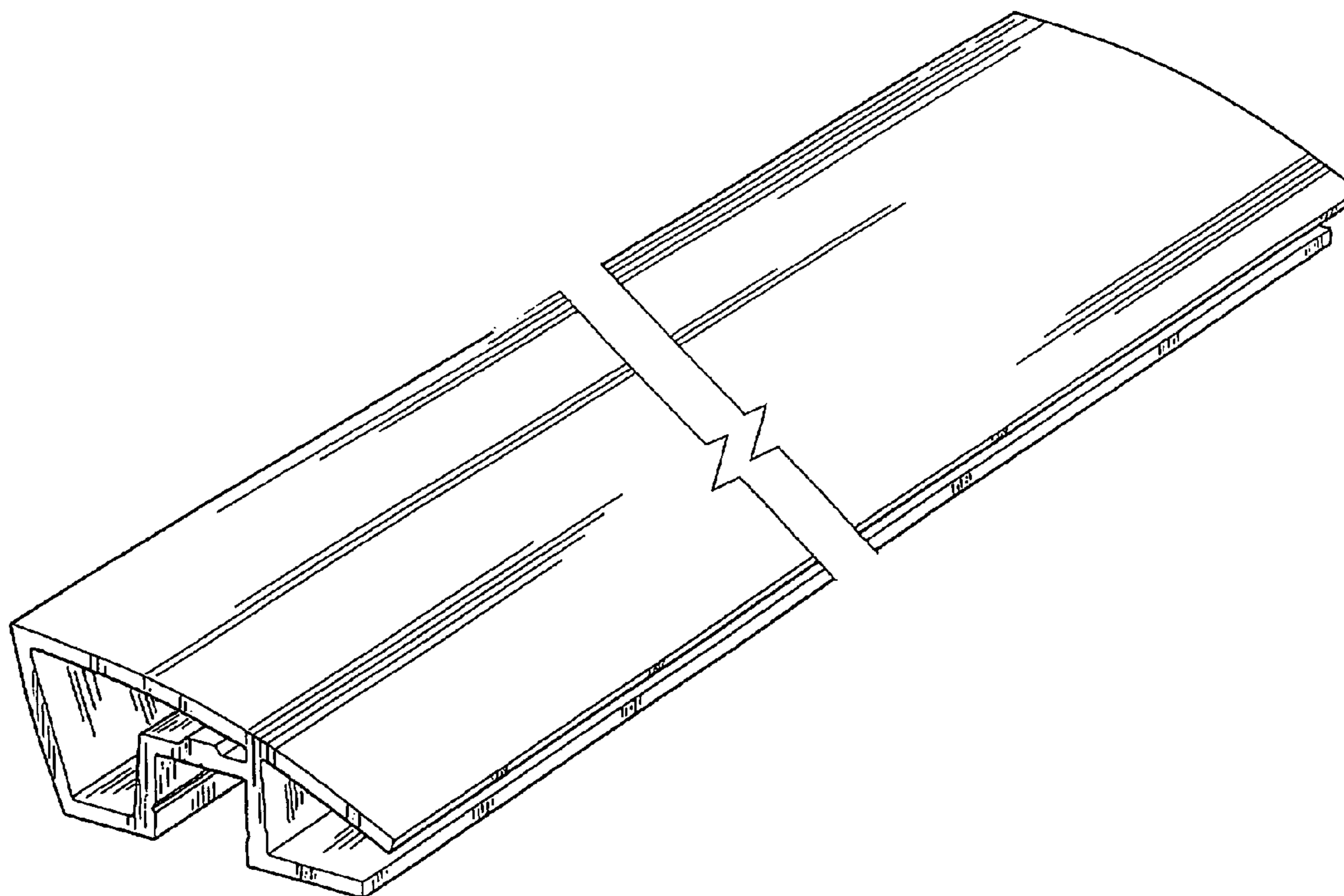
FIG. 1 is a front perspective view of a rail;  
FIG. 2 is a rear perspective view of the rail of FIG. 1;  
FIG. 3 is a bottom plan view of the rail of FIG. 1;  
FIG. 4 is front elevation view of the rail of FIG. 1;  
FIG. 5 is a top plan view of the rail of FIG. 1;  
FIG. 6 is a rear elevation view of the rail of FIG. 1; and,  
FIG. 7 is a side elevation view of the rail of FIG. 1.

(56) **References Cited**

**U.S. PATENT DOCUMENTS**

5,447,290 A \* 9/1995 Workman ..... 256/59

**1 Claim, 3 Drawing Sheets**



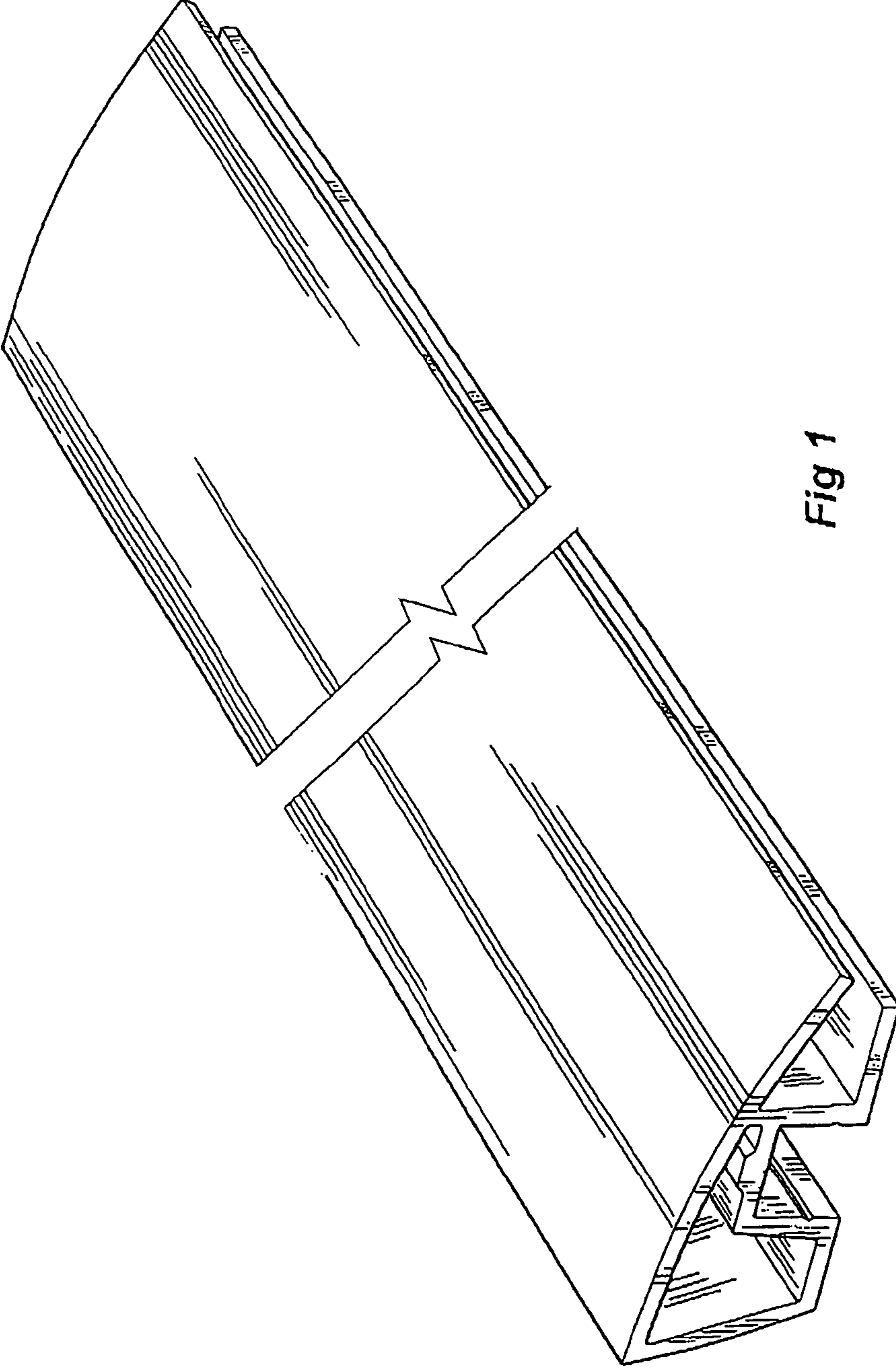


Fig 1

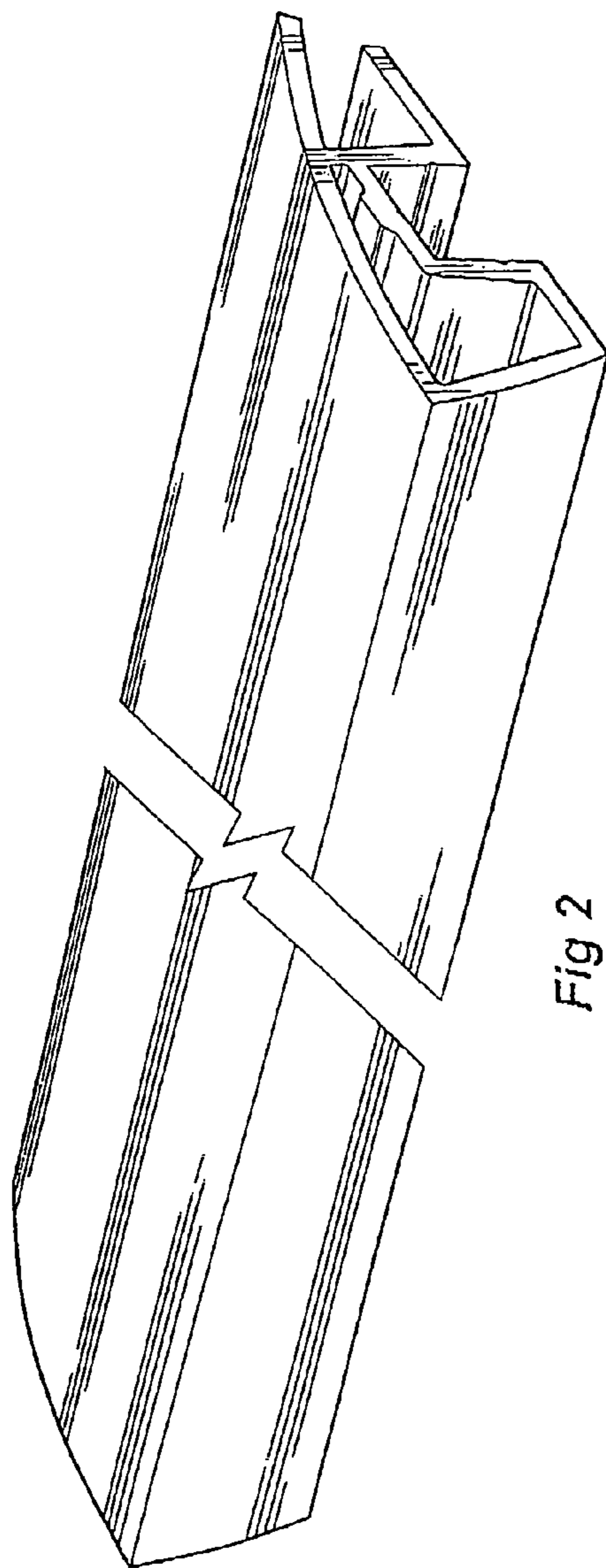


Fig 2

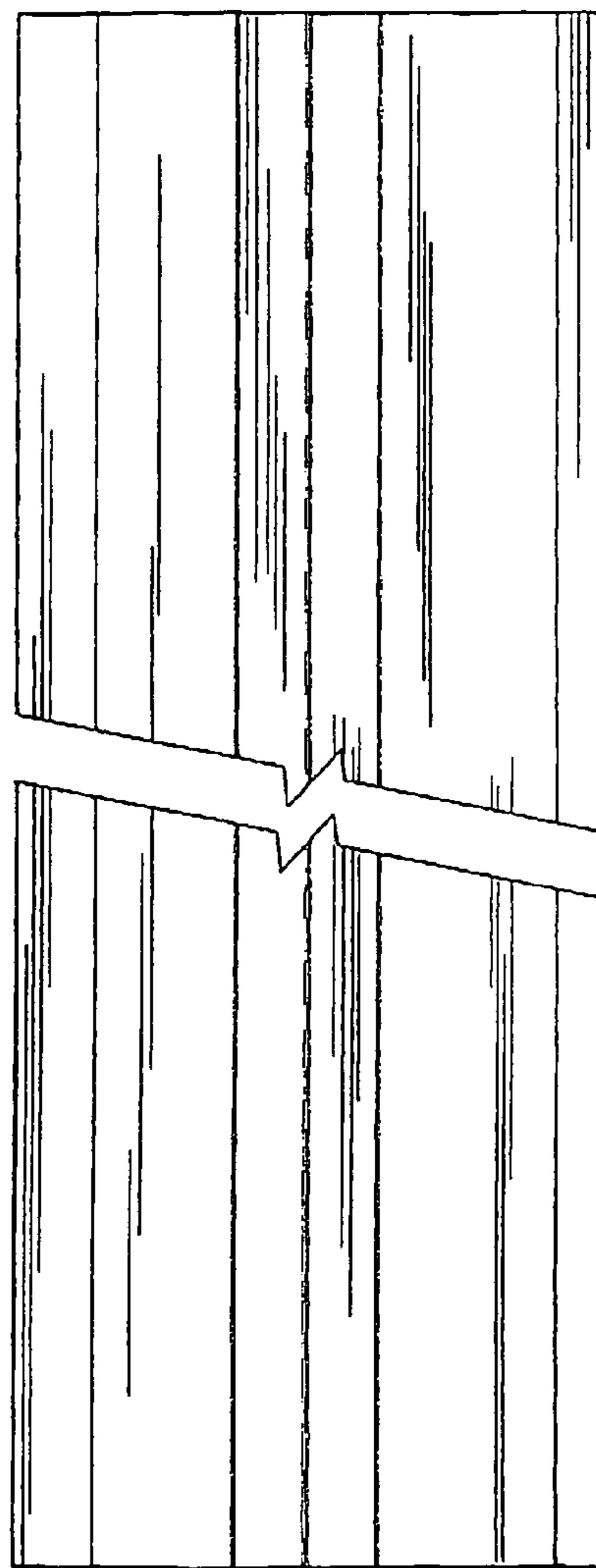


Fig 3

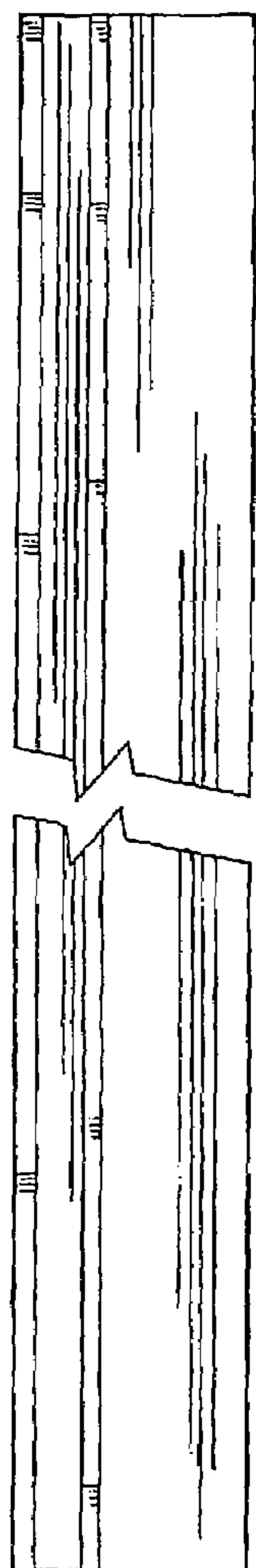


Fig 4

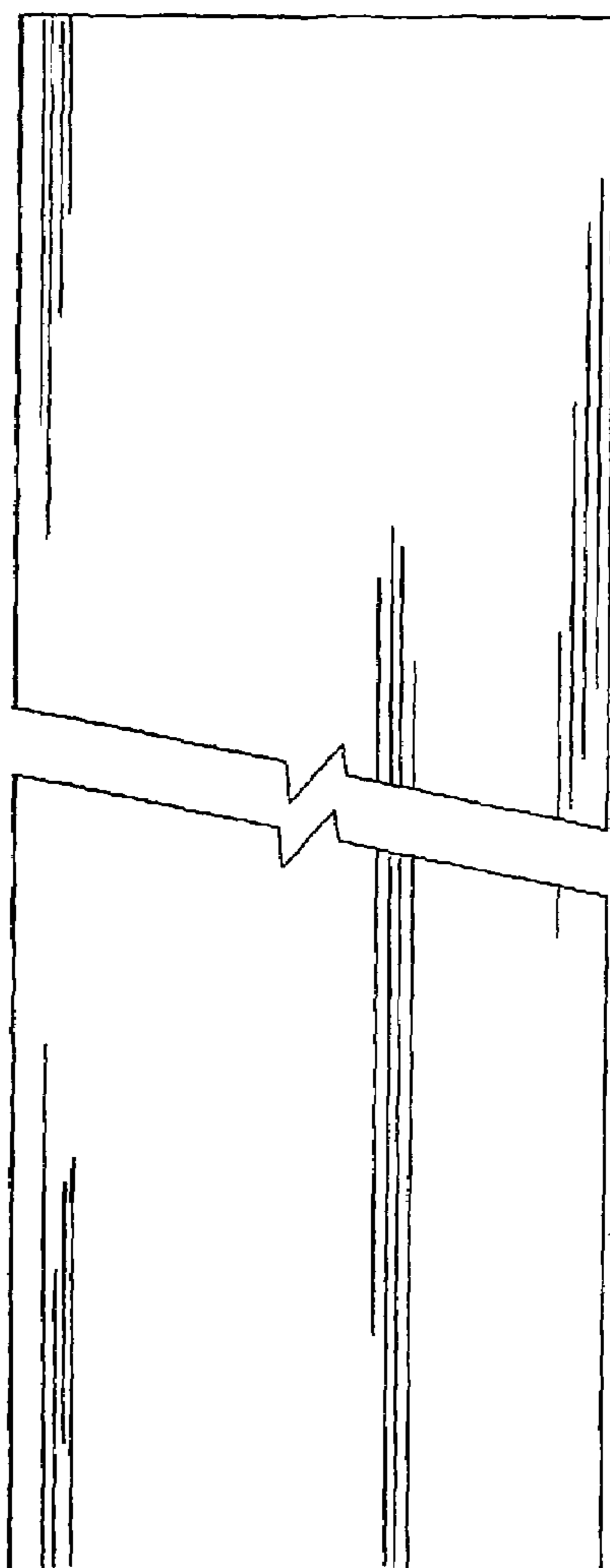


Fig 5

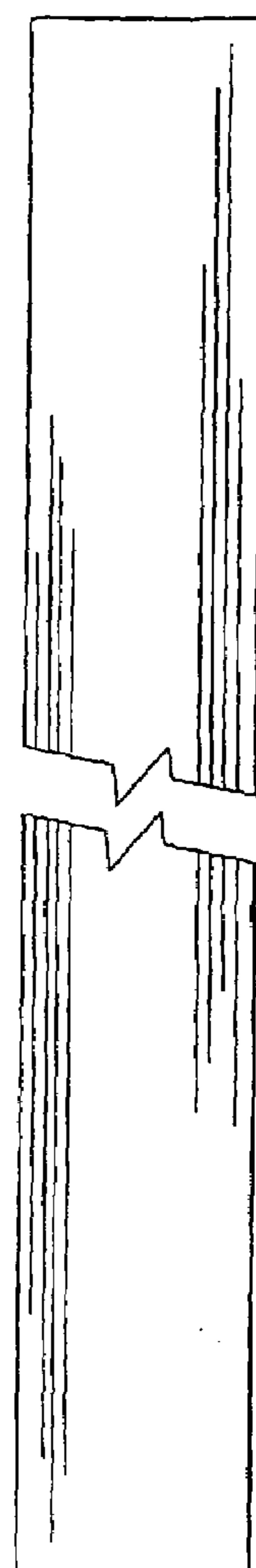


Fig 6

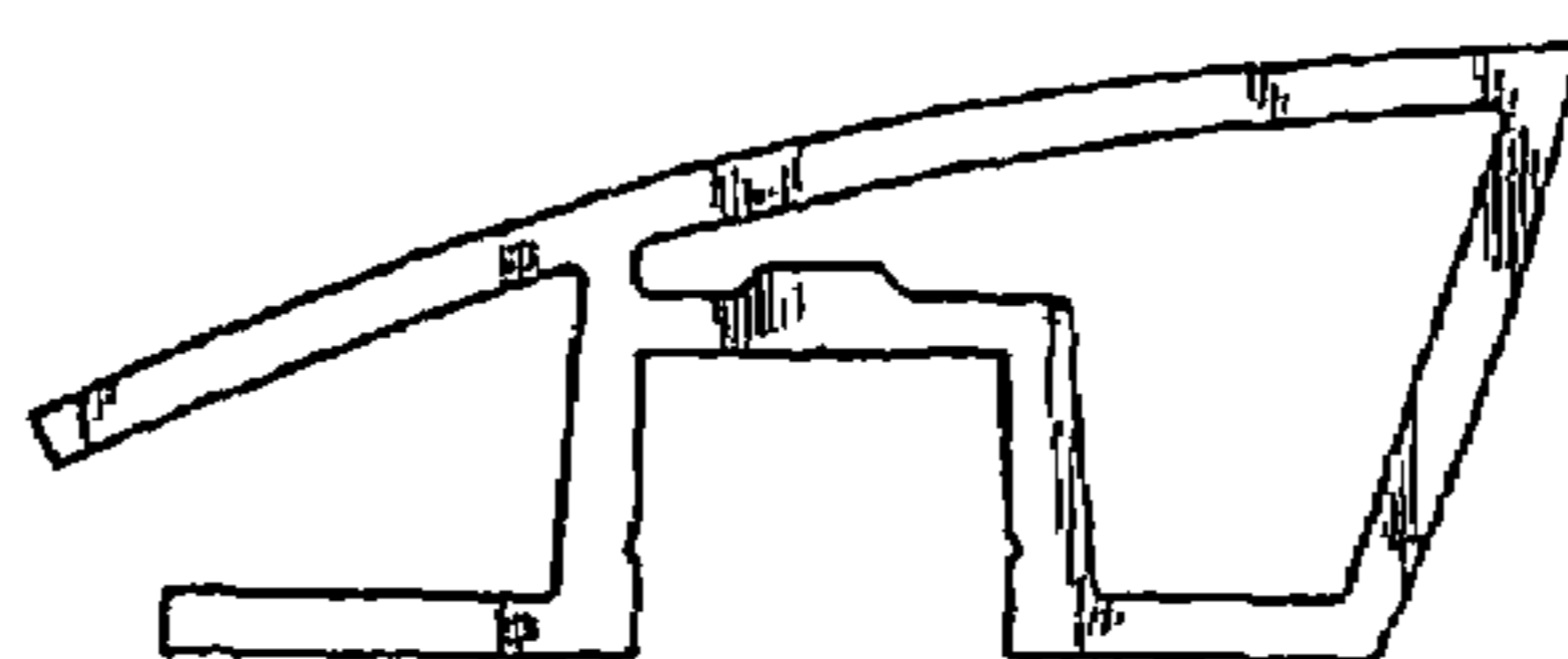


Fig 7