



US00D584831S

(12) **United States Design Patent**  
**Parker**

(10) **Patent No.:** **US D584,831 S**

(45) **Date of Patent:** **\*\* Jan. 13, 2009**

(54) **TRUSS FOR HANGAR DOOR SYSTEM**

(75) Inventor: **Marshal J. Parker**, Preston (GB)

(73) Assignee: **Hydroswing, Inc.**, Cottonwood, MN (US)

(\*\*) Term: **14 Years**

(21) Appl. No.: **29/275,271**

(22) Filed: **Dec. 19, 2006**

(51) **LOC (9) Cl.** ..... **25-02**

(52) **U.S. Cl.** ..... **D25/61**

(58) **Field of Classification Search** ..... D25/61;  
52/650.1, 653.1, 656.1, 656.4, 289, 643,  
52/644, 73, 639, 690, 223.8, 223.13; D8/373  
See application file for complete search history.

(56) **References Cited**

U.S. PATENT DOCUMENTS

|           |      |         |            |       |        |
|-----------|------|---------|------------|-------|--------|
| 4,123,880 | A *  | 11/1978 | Palmaer    | ..... | 52/73  |
| 4,649,688 | A *  | 3/1987  | Mosier     | ..... | 52/644 |
| D374,292  | S *  | 10/1996 | Koo et al. | ..... | D25/61 |
| 6,360,509 | B1 * | 3/2002  | Sluiter    | ..... | 52/634 |
| 6,883,273 | B2   | 4/2005  | Kerkvliet  |       |        |

\* cited by examiner

*Primary Examiner*—Doris Clark  
(74) *Attorney, Agent, or Firm*—Stephen C. Beuerle; Procopio, Cory, Hargreaves & Savitch LLP

(57) **CLAIM**

The ornamental design for a truss for a hangar door system, as shown and described.

**DESCRIPTION**

FIG. 1 is a front perspective view of a truss for a hangar door system shown on a smaller scale.

FIG. 2 is a top plan view thereof;

FIG. 3 is a rotated rear elevation view thereof;

FIG. 4 is a front elevation view thereof;

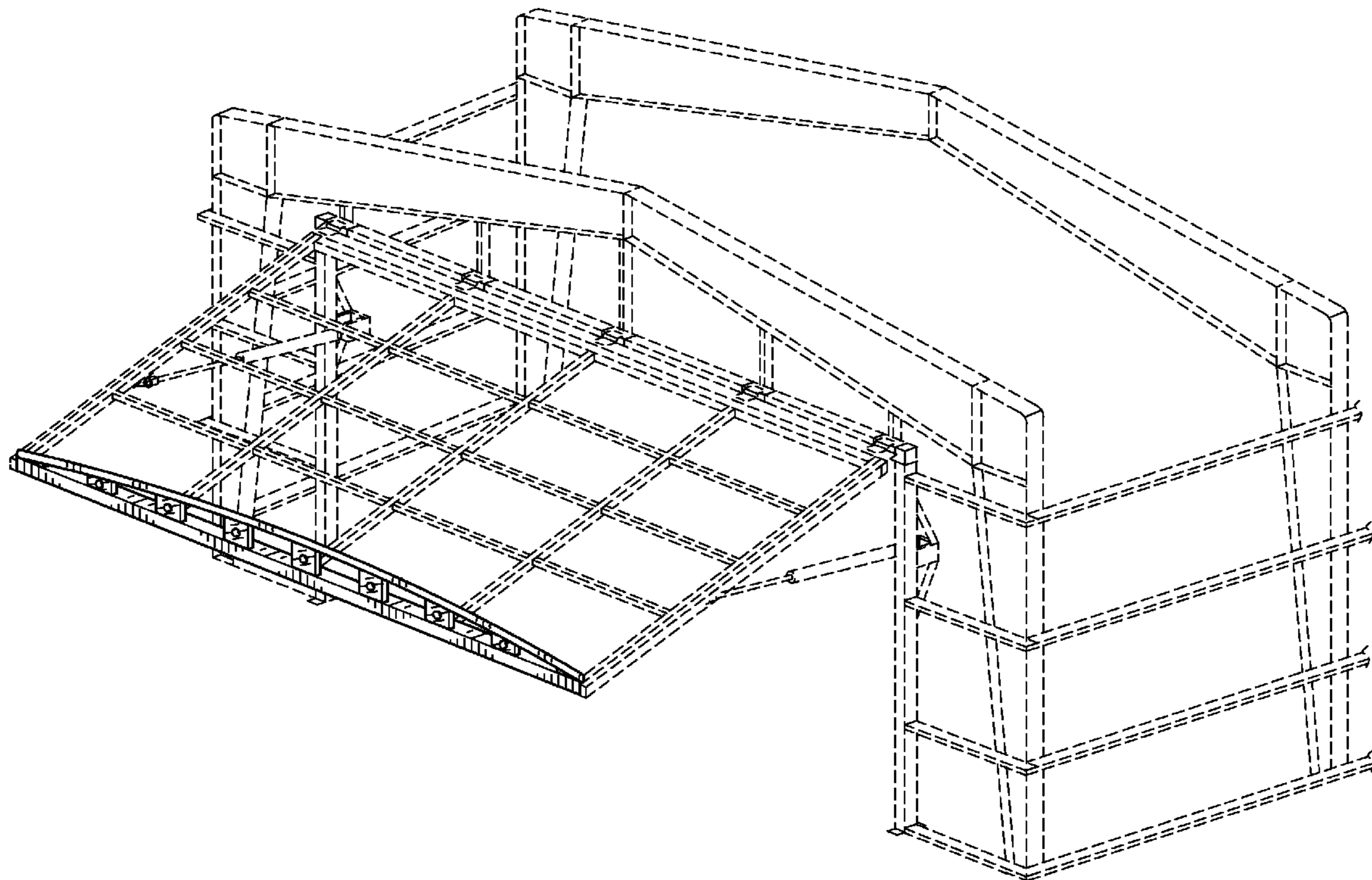
FIG. 5 is a side elevation view thereof; and

FIG. 6 is a front perspective view thereof; and,

FIG. 7 is a bottom plan view thereof.

The broken lines shown in FIGS. 1–7 are included for the purpose of illustrating environmental elements only and form no part of the claimed design.

**1 Claim, 4 Drawing Sheets**



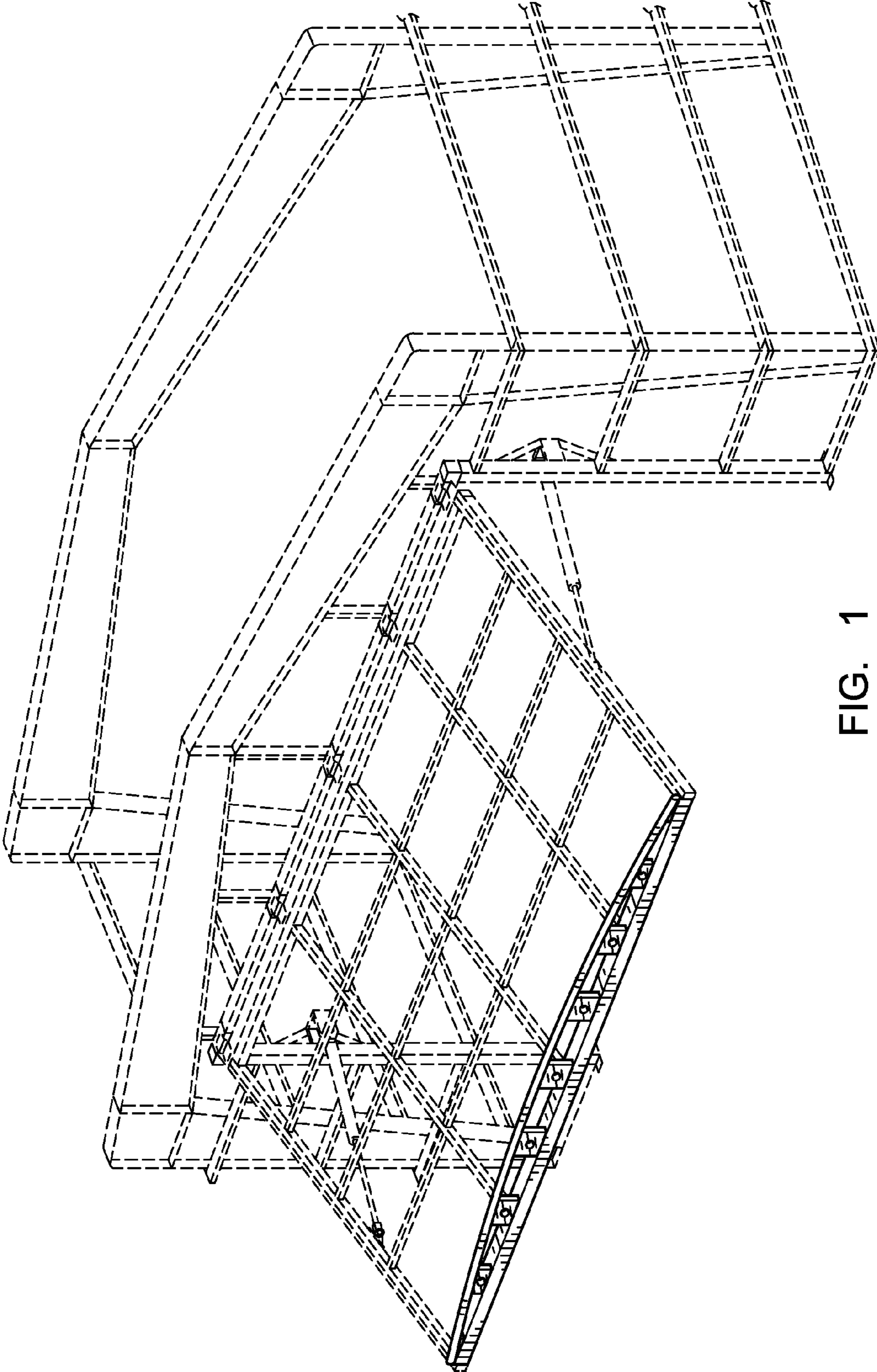


FIG. 1

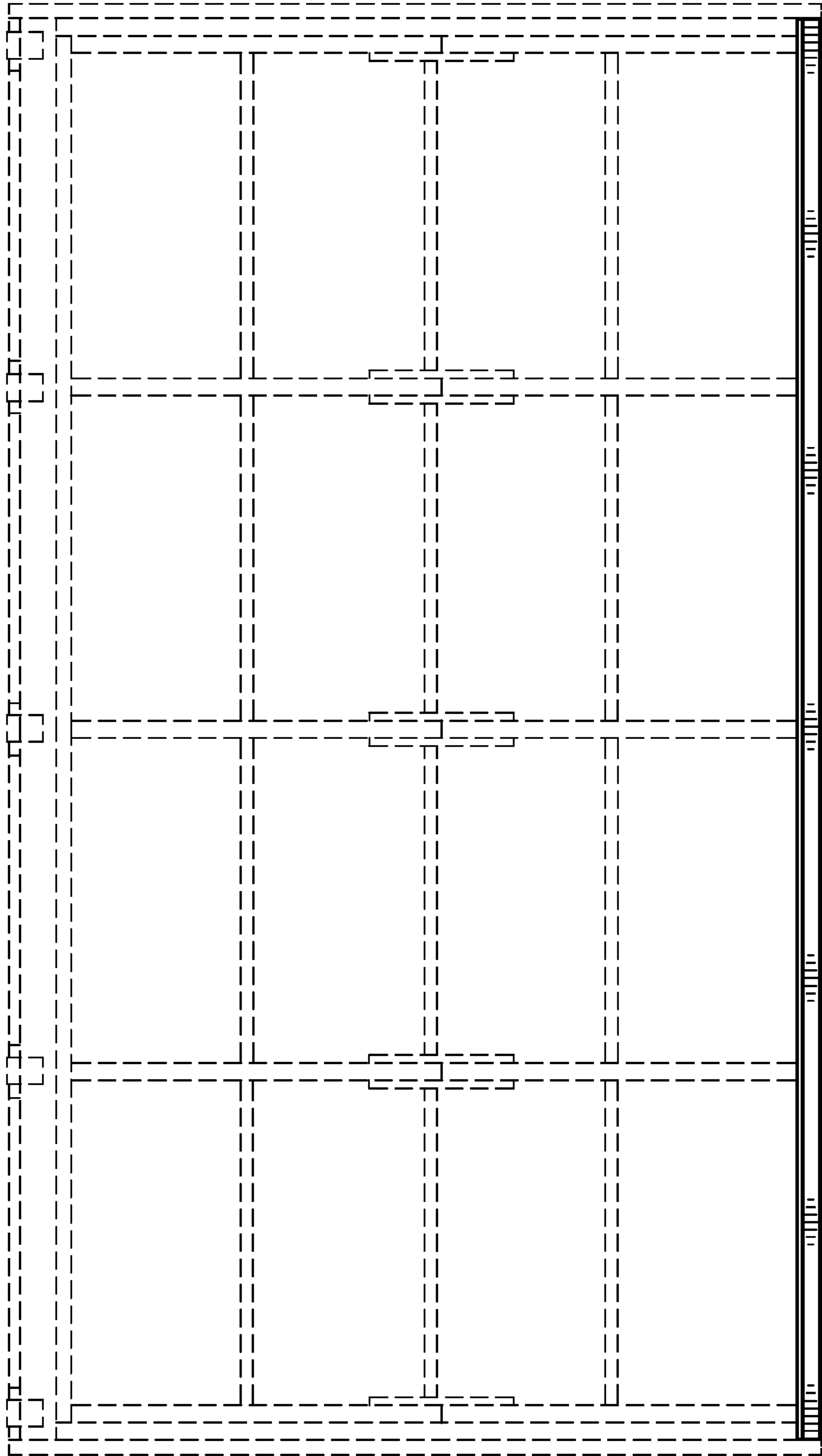


FIG. 2

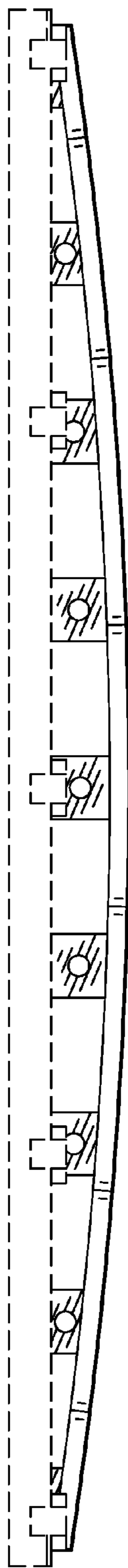


FIG. 3

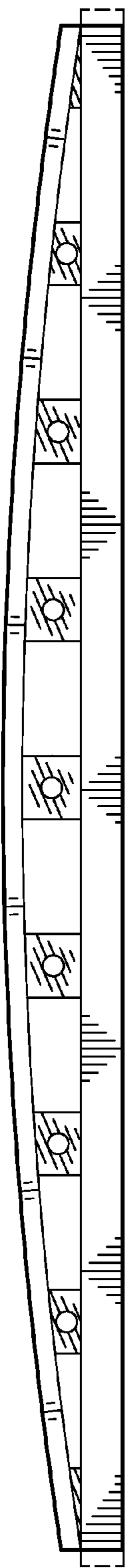


FIG. 4

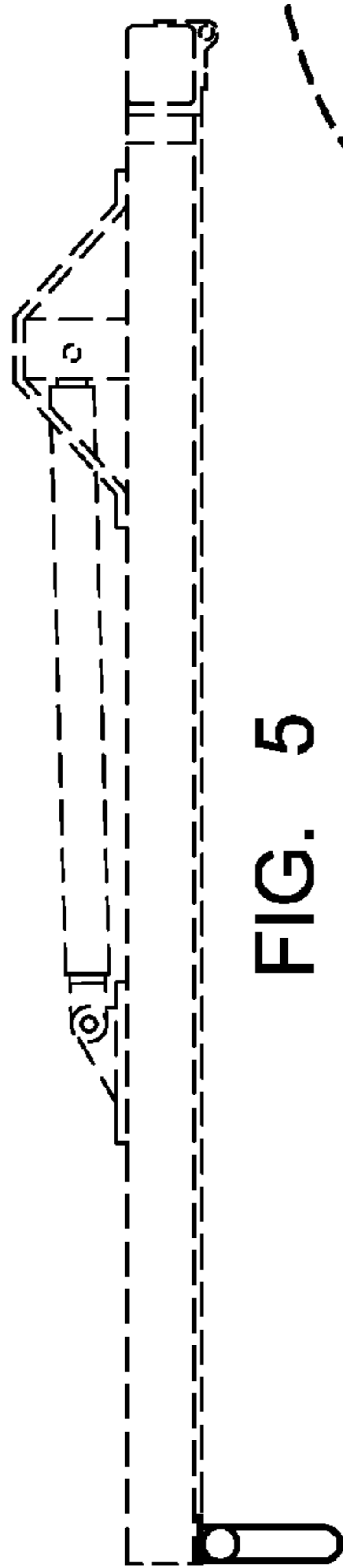


FIG. 5

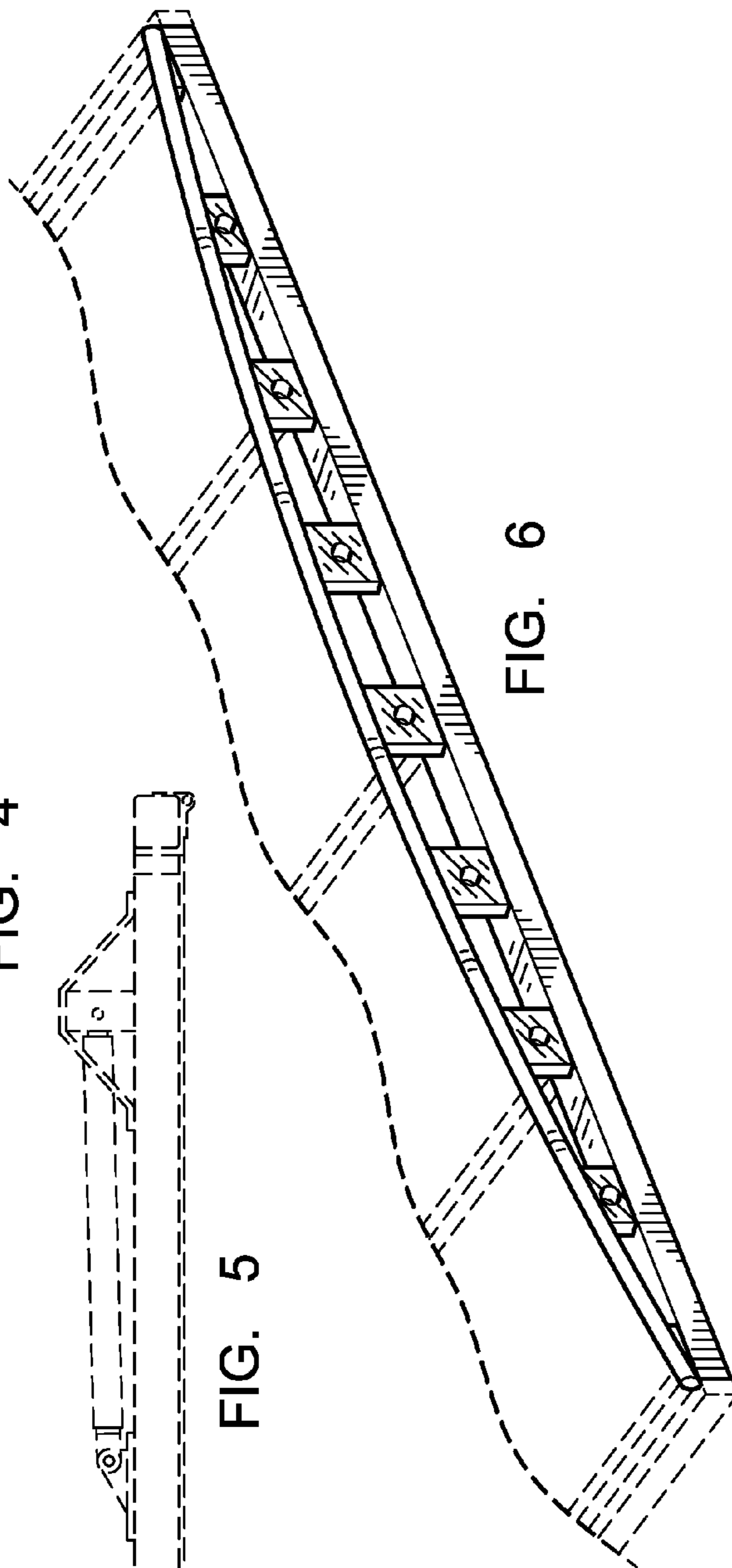


FIG. 6

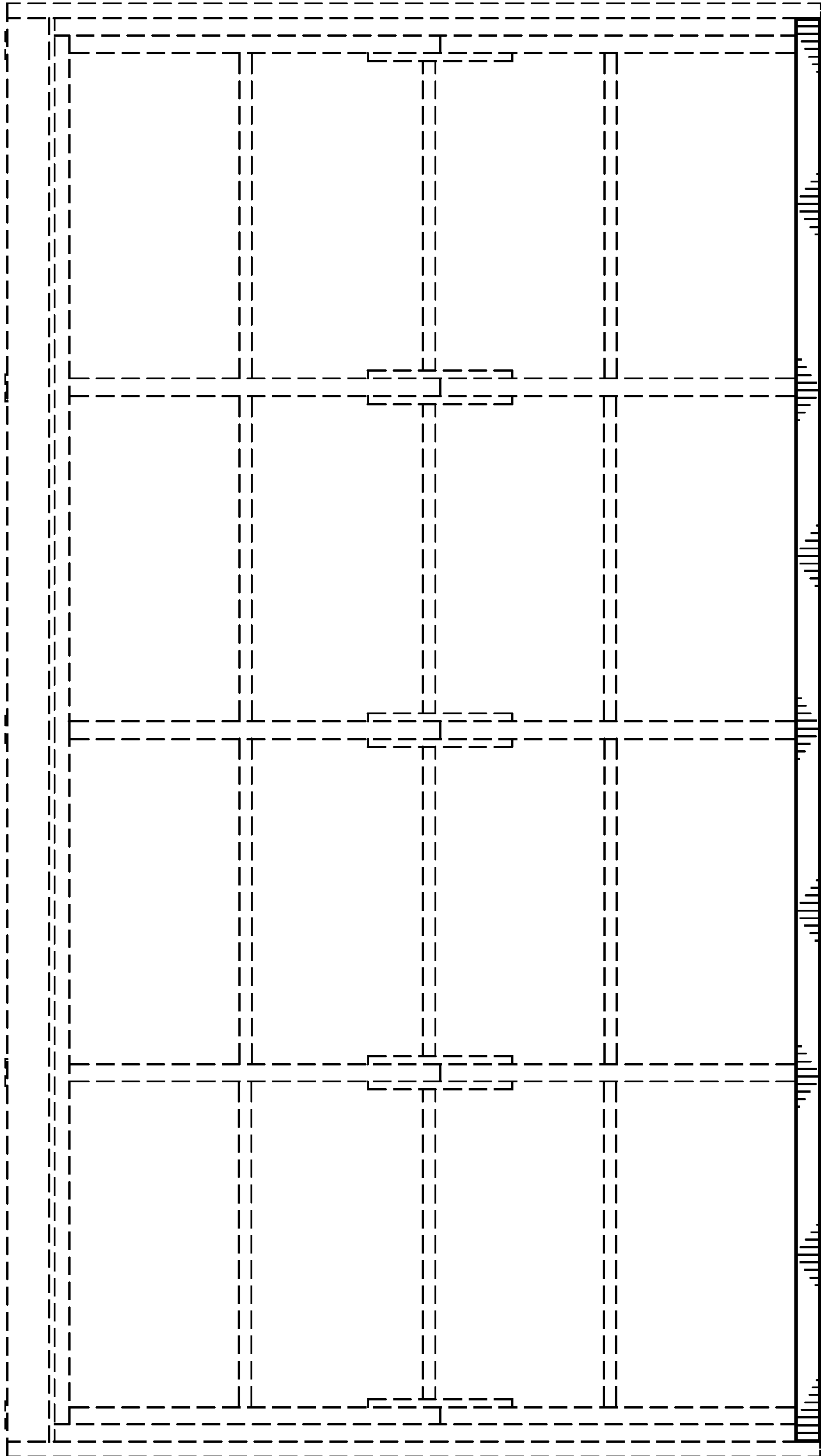


FIG. 7