



US00D584828S

(12) **United States Design Patent**  
**Rylski**

(10) **Patent No.:** **US D584,828 S**

(45) **Date of Patent:** **\*\* Jan. 13, 2009**

(54) **PIPETTE**

(75) Inventor: **Romuald Andrzej Rylski**, Warsaw (PL)

(73) Assignee: **PZ HTL Spolka Akcyjna**, Warsaw (PL)

(\*\*) Term: **14 Years**

(21) Appl. No.: **29/298,589**

(22) Filed: **Dec. 7, 2007**

(30) **Foreign Application Priority Data**

Nov. 16, 2007 (EM) ..... 000827308

(51) **LOC (9) Cl.** ..... **24-01**

(52) **U.S. Cl.** ..... **D24/222**

(58) **Field of Classification Search** ..... D24/216–230,  
D24/112–115, 117, 119, 133; 422/64, 102,  
422/56, 58, 61, 63, 99, 104, 100, 101, 922–924;  
356/246; D10/81, 103; 73/863.01, 864.11,  
73/864.13, 864.16

See application file for complete search history.

(56) **References Cited**

**U.S. PATENT DOCUMENTS**

D252,823 S \* 9/1979 Withers et al. .... D24/222  
5,018,394 A \* 5/1991 Gilson ..... 73/864.18  
5,650,124 A \* 7/1997 Gilson ..... 73/864.13  
D419,685 S \* 1/2000 Jacquet et al. .... D24/222  
D426,643 S \* 6/2000 Rainin et al. .... D24/222  
6,158,292 A \* 12/2000 Gilson et al. .... 73/864.01

D438,630 S \* 3/2001 Honore ..... D24/222  
D460,193 S \* 7/2002 Schieffer et al. .... D24/222  
6,715,369 B2 \* 4/2004 Baba et al. .... 73/864.16  
D507,656 S \* 7/2005 Pniewski et al. .... D24/222  
D548,358 S \* 8/2007 Koop ..... D24/222  
2002/0012613 A1 \* 1/2002 Scordato et al. .... 422/100  
2007/0056391 A1 \* 3/2007 Karbowniczek ..... 73/864.14

\* cited by examiner

*Primary Examiner*—Louis S Zarfaz

*Assistant Examiner*—Anhdao Doan

(74) *Attorney, Agent, or Firm*—Michael Bednarek; Paul, Hastings, Janofsky & Walker LLP

(57) **CLAIM**

I claim the ornamental design for a pipette, as shown and described.

**DESCRIPTION**

FIG. 1 is a left side, top, and front perspective view of the pipette;

FIG. 2 is a left side elevation view thereof;

FIG. 3 is a rear elevation view thereof;

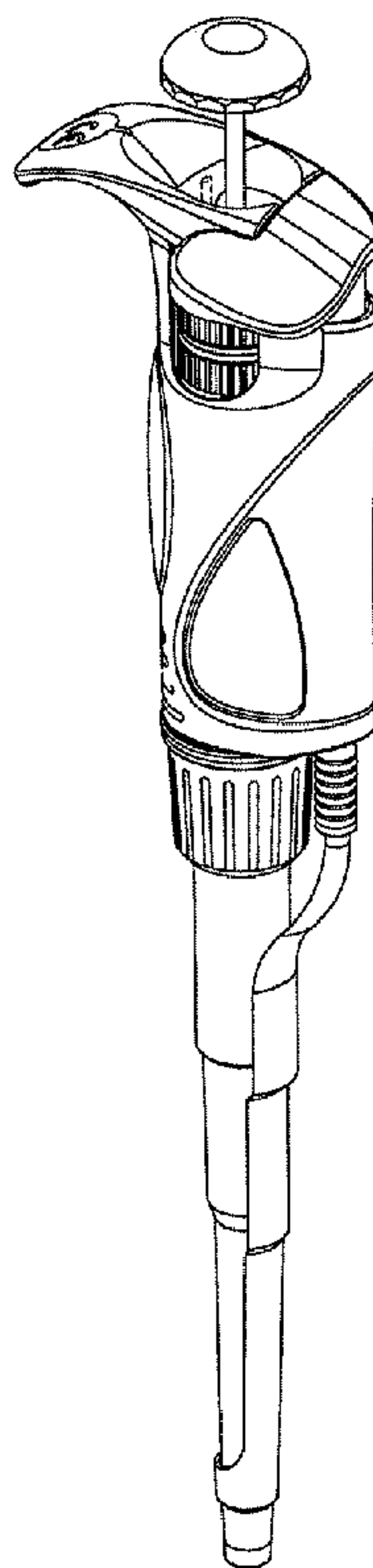
FIG. 4 is a front elevation view thereof;

FIG. 5 is a right side elevation view thereof;

FIG. 6 is a top plan view thereof; and,

FIG. 7 is a bottom plan view thereof.

**1 Claim, 7 Drawing Sheets**



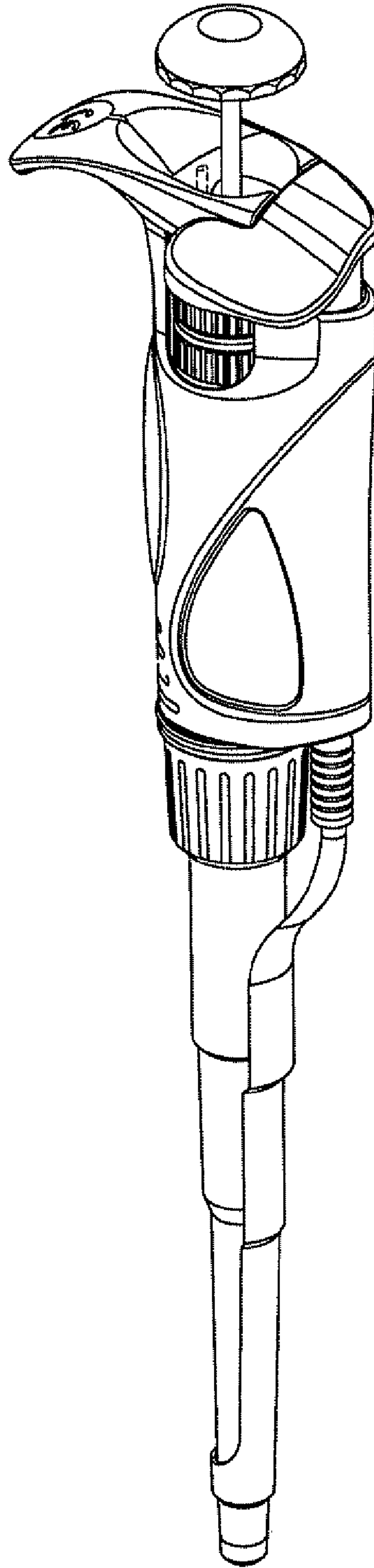


Fig. 1

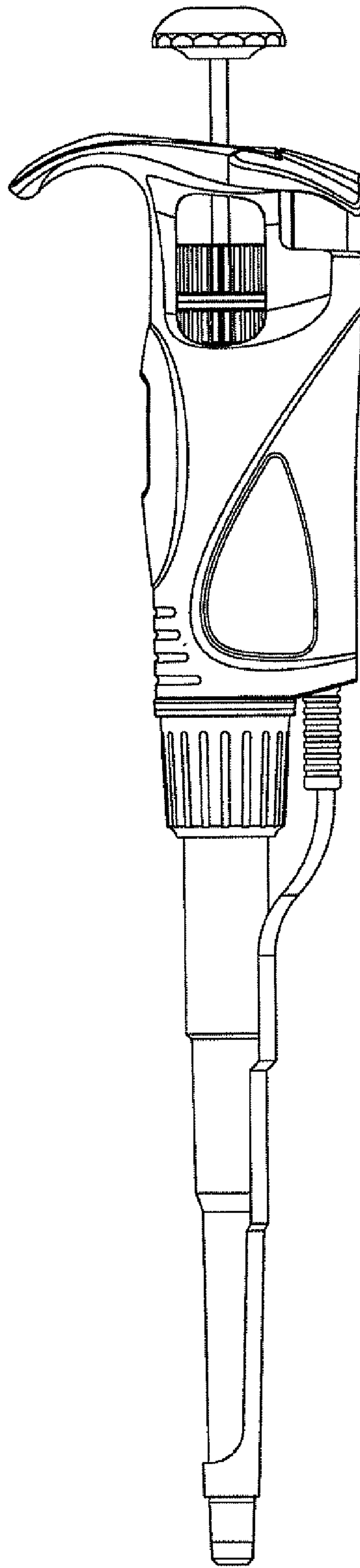


Fig. 2

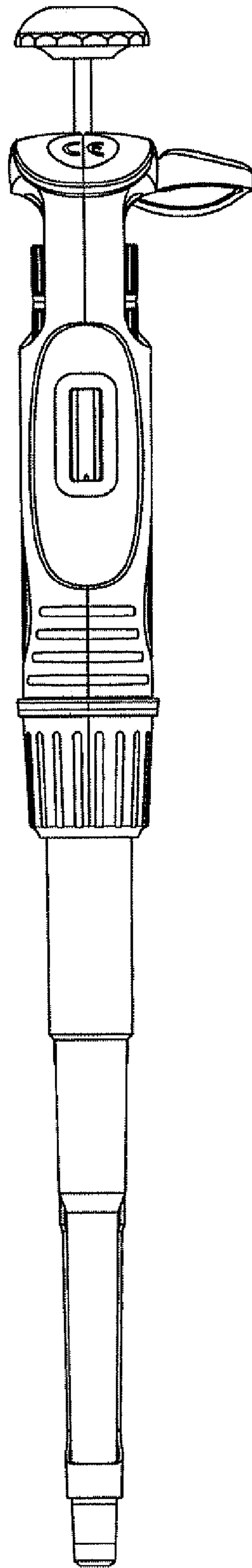


Fig. 3

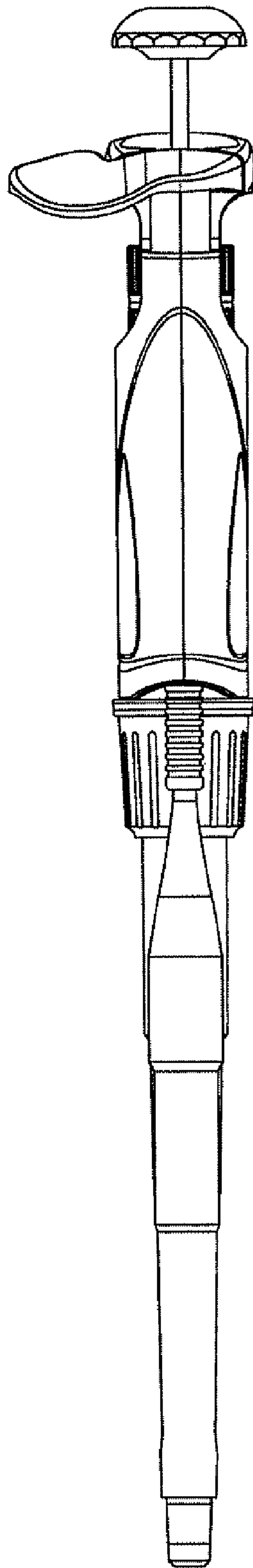


Fig. 4

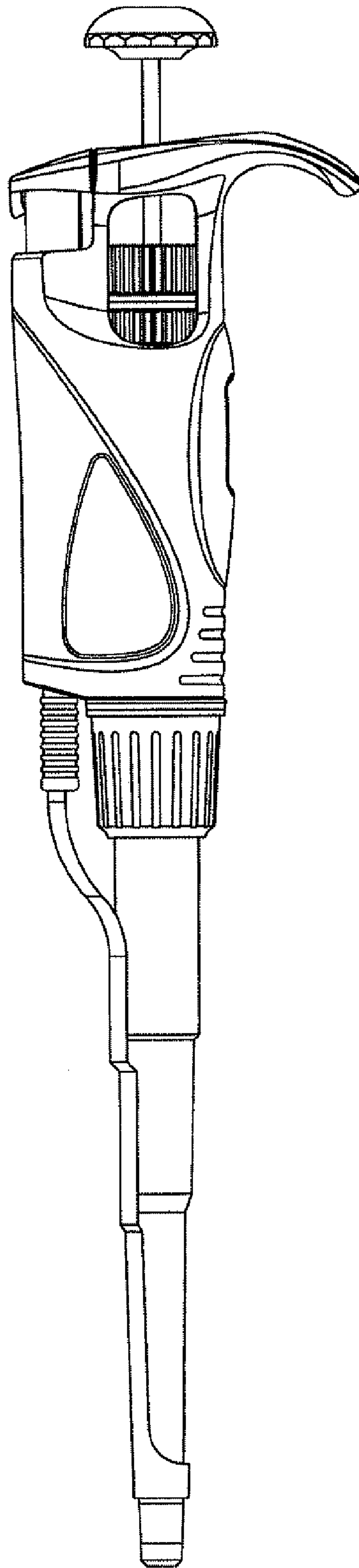


Fig. 5

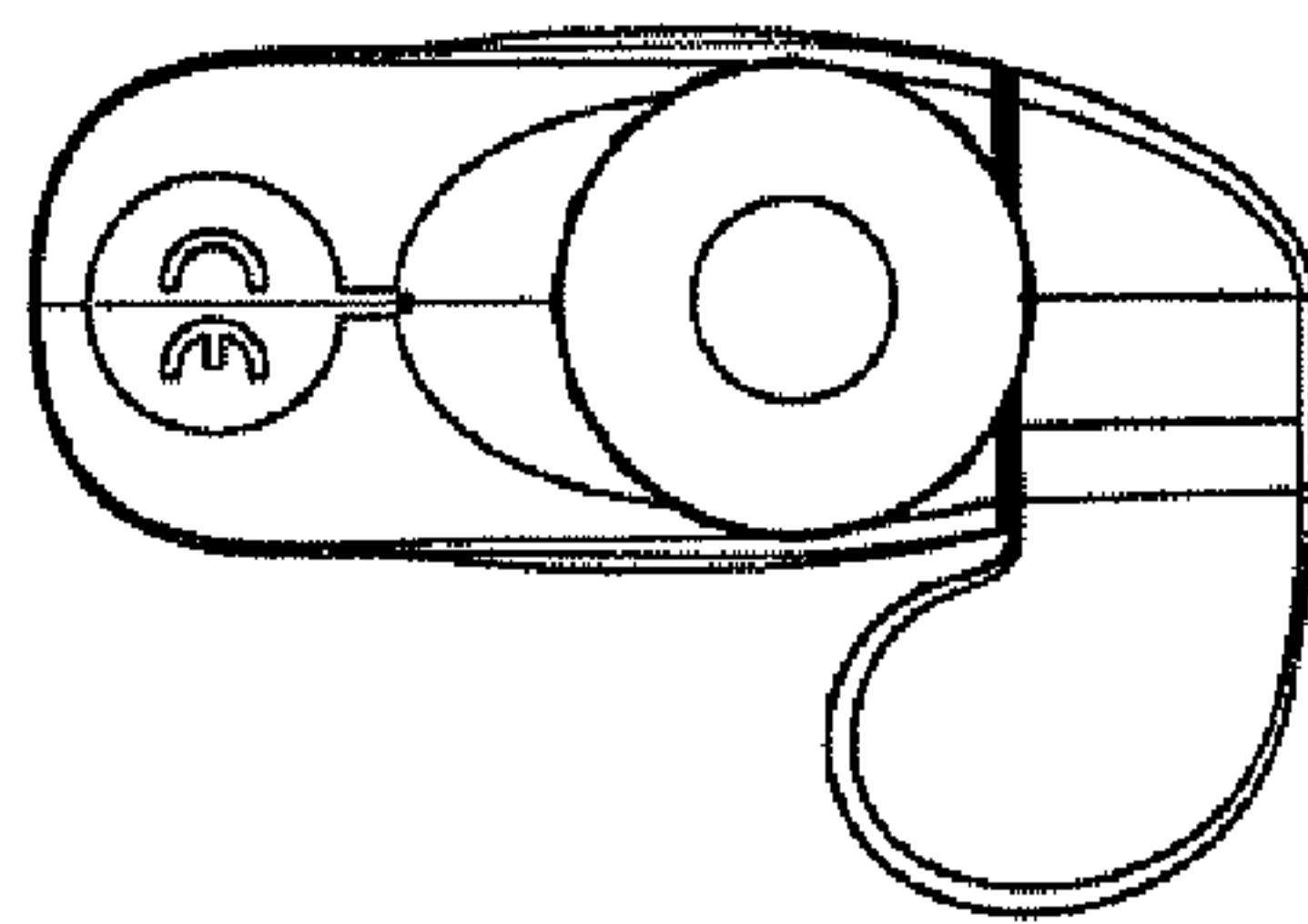


Fig. 6

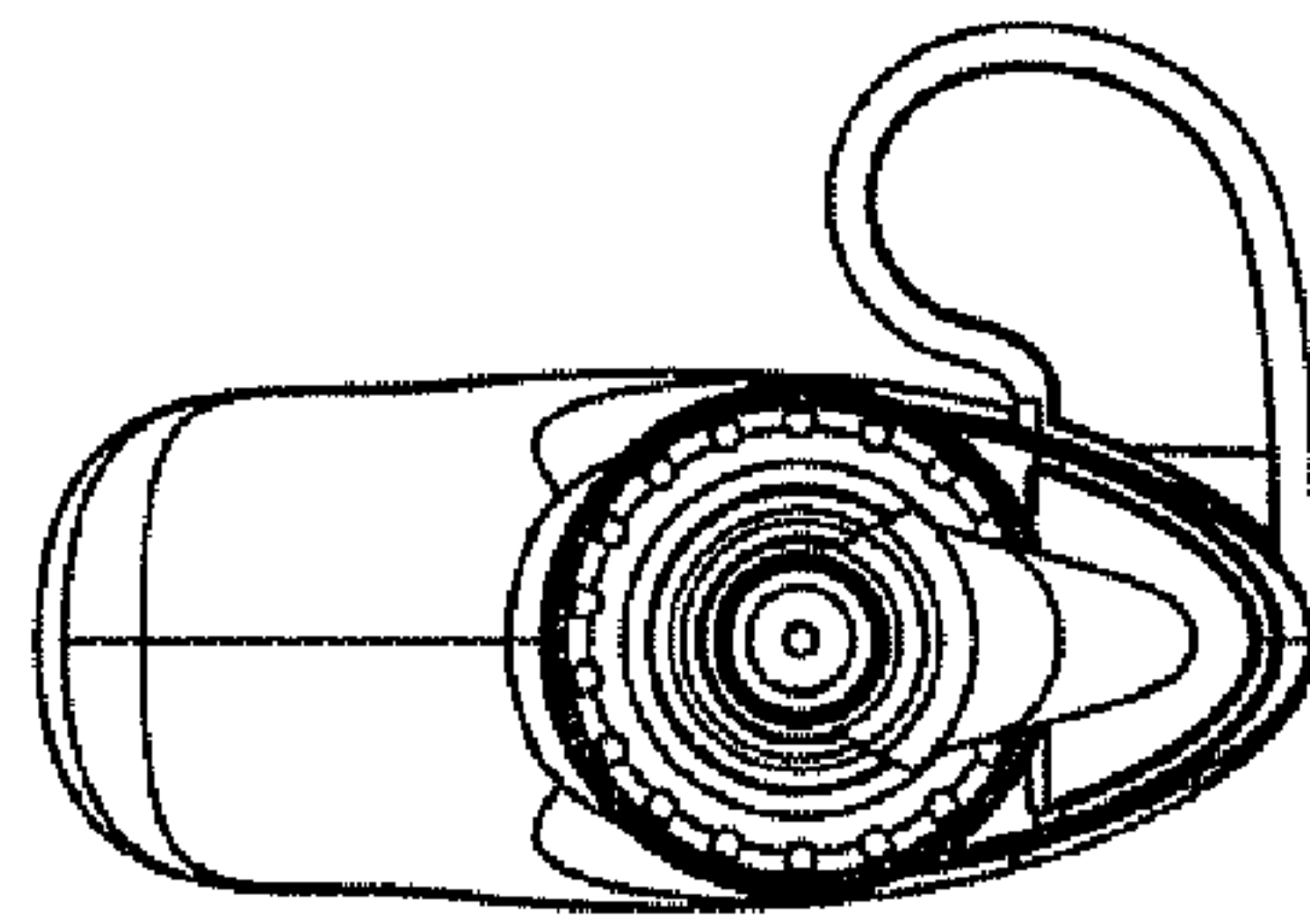


Fig. 7