



US00D584827S

(12) **United States Design Patent**  
**Potter et al.**

(10) **Patent No.:** **US D584,827 S**  
(45) **Date of Patent:** **\*\* Jan. 13, 2009**

(54) **INPUT AND OUTPUT CASSETTE FOR AGAR PLATES**

(75) Inventors: **Colin William Potter**, Nunawading (AU); **Rajiv Gupta**, Rowville (AU); **Vu Khai Co**, Sacutuary Lakes (AU); **Sasha Melissa Miu**, West Brunswick (AU)

(73) Assignee: **Labtech Systems Ltd.**, South Australia (AU)

(\*\*) Term: **14 Years**

(21) Appl. No.: **29/287,194**

(22) Filed: **Jul. 9, 2007**

(30) **Foreign Application Priority Data**

Jan. 12, 2007 (AU) ..... 15968/2007

Jan. 12, 2007 (AU) ..... 15969/2007

(51) **LOC (9) Cl.** ..... **24-01**

(52) **U.S. Cl.** ..... **D24/216**

(58) **Field of Classification Search** ..... D24/216-230,  
D24/231, 232; 422/100-104; D10/81, 103;  
206/445, 449, 486; 211/85.18; D6/516  
See application file for complete search history.

(56) **References Cited**

**U.S. PATENT DOCUMENTS**

D251,684 S \* 4/1979 Wood et al. .... D24/227

D290,401 S \* 6/1987 Bjorkman ..... D24/227

D304,535 S \* 11/1989 White ..... D6/516

D311,876 S \* 11/1990 Kiegami ..... D24/224

D355,970 S \* 2/1995 Monthony et al. .... D24/224

D435,748 S \* 1/2001 Vine ..... D6/516

D498,851 S \* 11/2004 Halbich ..... D24/227

D514,705 S \* 2/2006 Bublewitz et al. .... D24/224

\* cited by examiner

*Primary Examiner*—Louis S Zarfaz

*Assistant Examiner*—Anhdao Doan

(74) *Attorney, Agent, or Firm*—Birch, Stewart, Kolasch & Birch, LLP

(57) **CLAIM**

The ornamental design for an input and output cassette for agar plates, as shown and described.

**DESCRIPTION**

FIG. 1 is a rear top perspective view of an input and output cassette for agar plates showing our new design;

FIG. 2 is a front top perspective view thereof;

FIG. 3 is a rear bottom perspective view thereof;

FIG. 4 is a front bottom perspective view thereof;

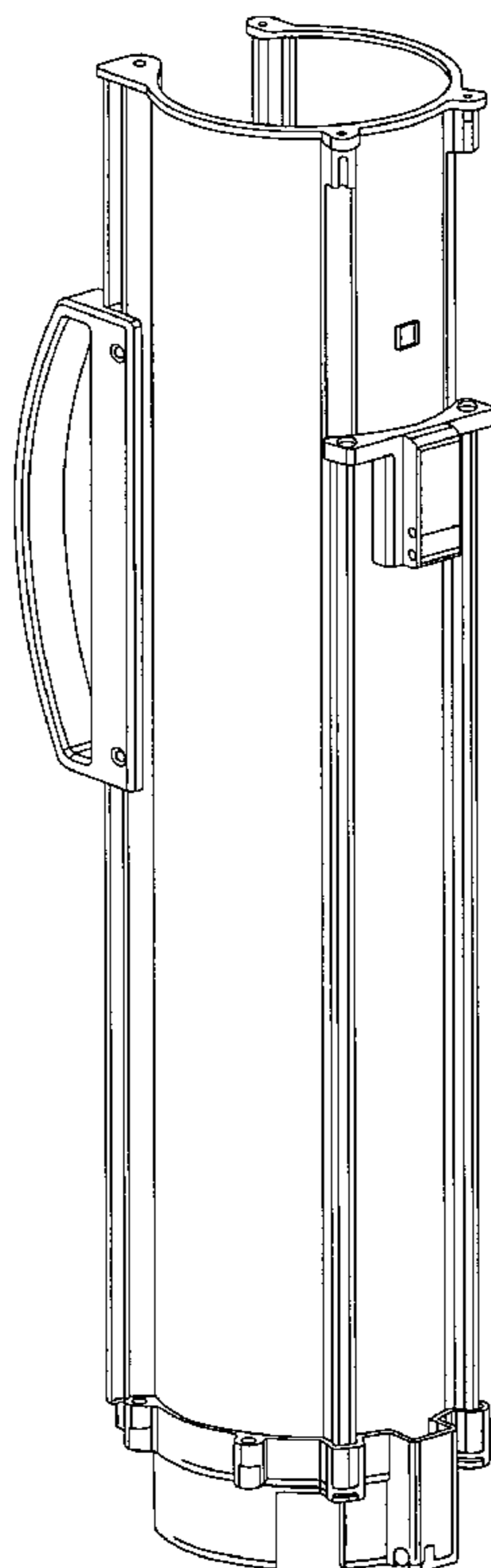
FIG. 5 is a front view thereof;

FIG. 6 is a rear view thereof;

FIG. 7 is a right view thereof; and,

FIG. 8 is a left view thereof.

**1 Claim, 4 Drawing Sheets**



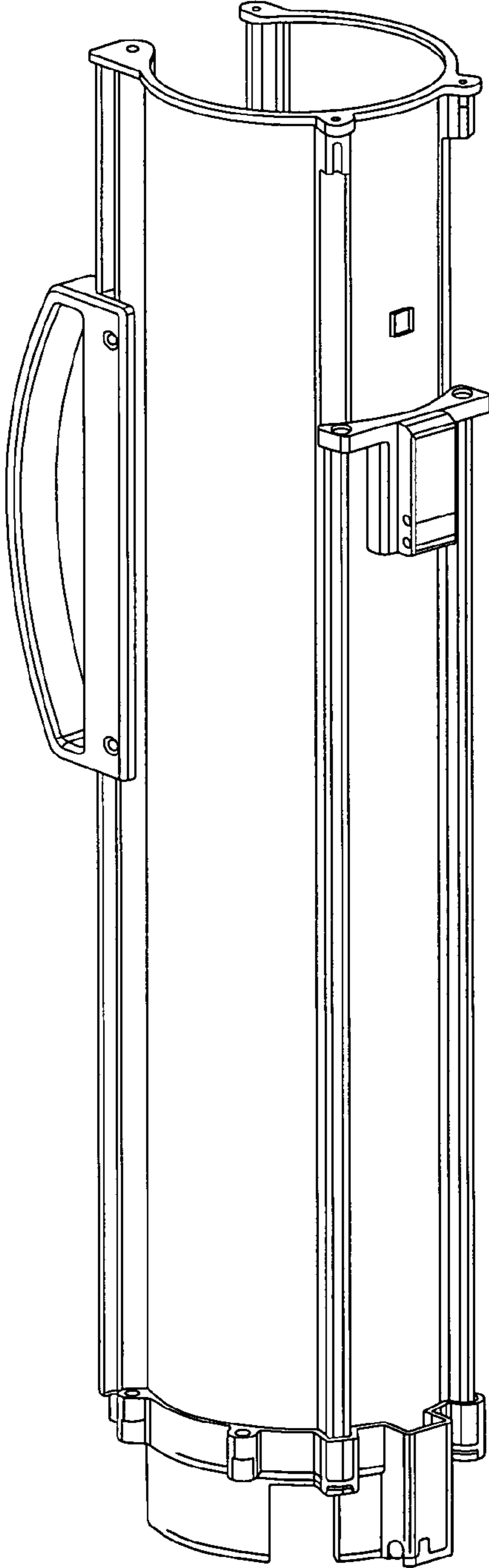


FIG.1

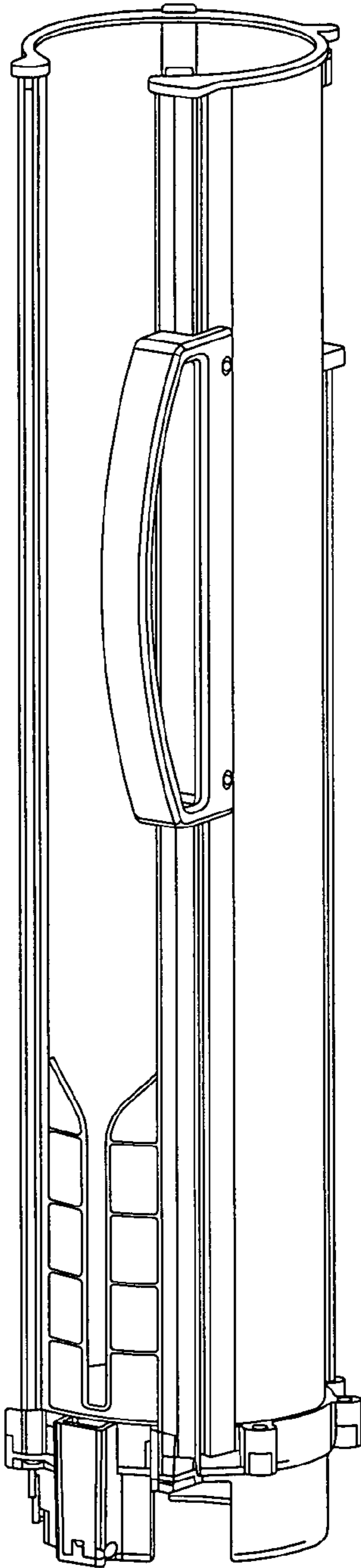


FIG.2

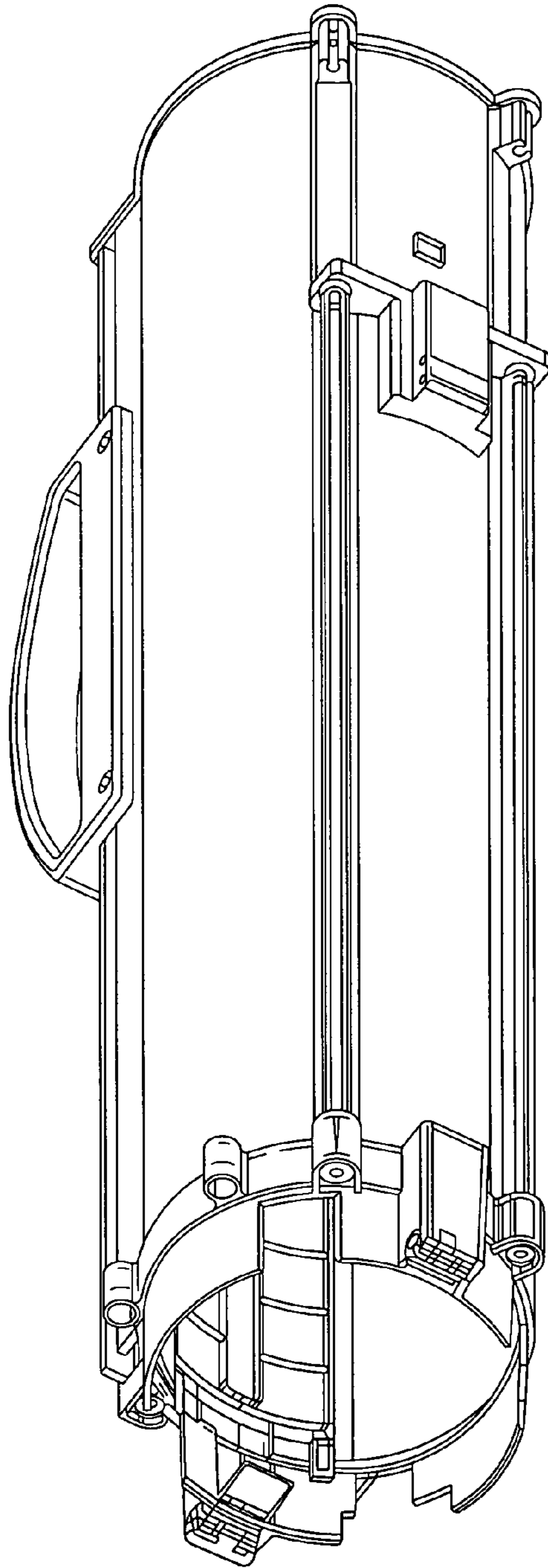


FIG. 3

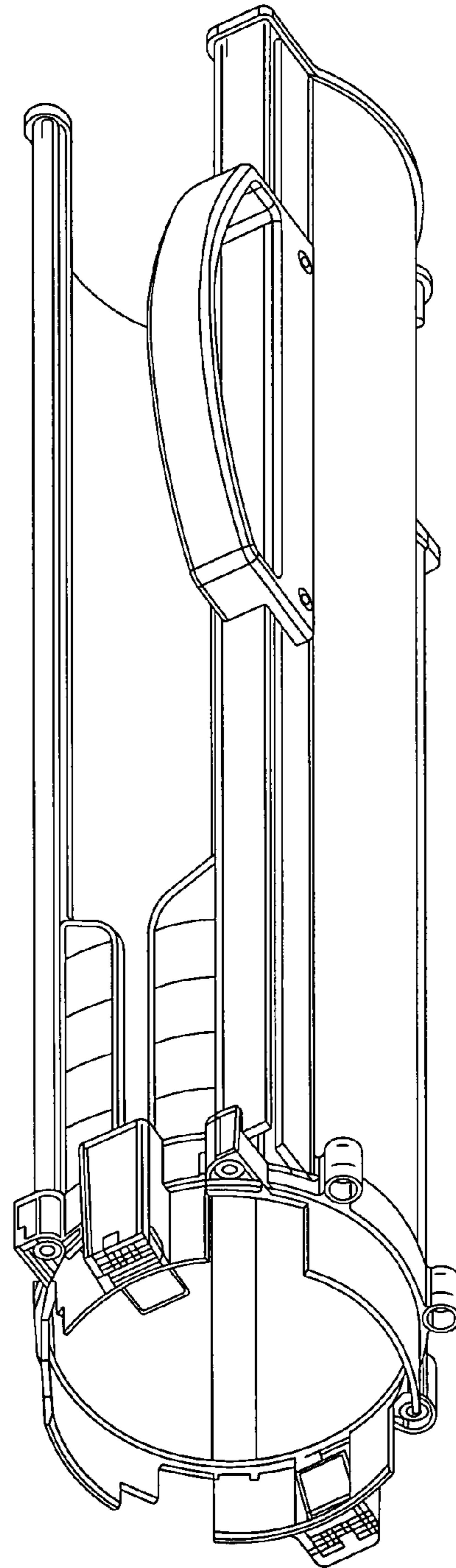


FIG. 4

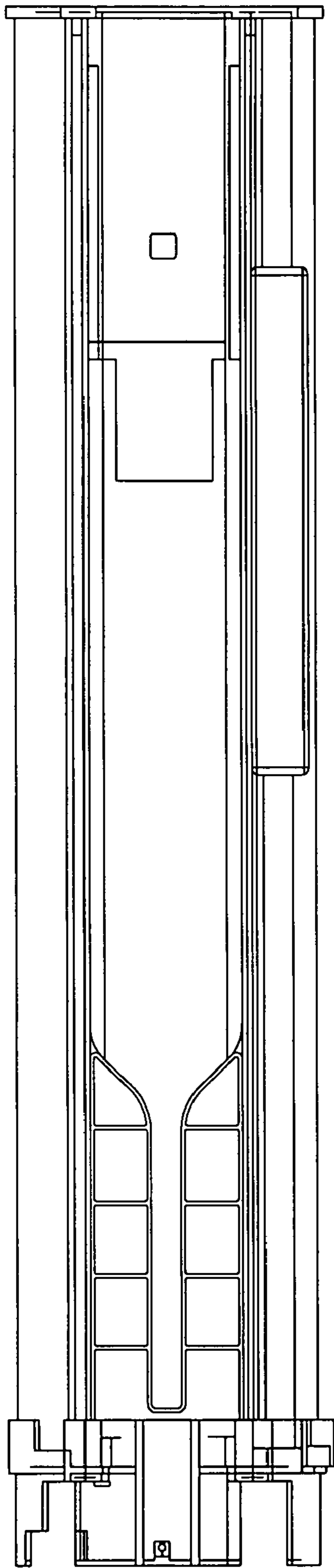


FIG. 5

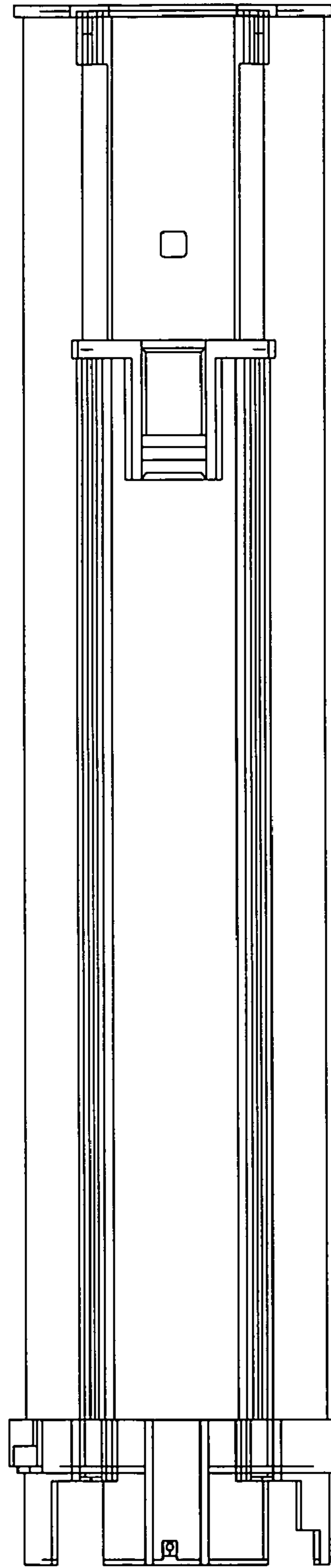


FIG. 6

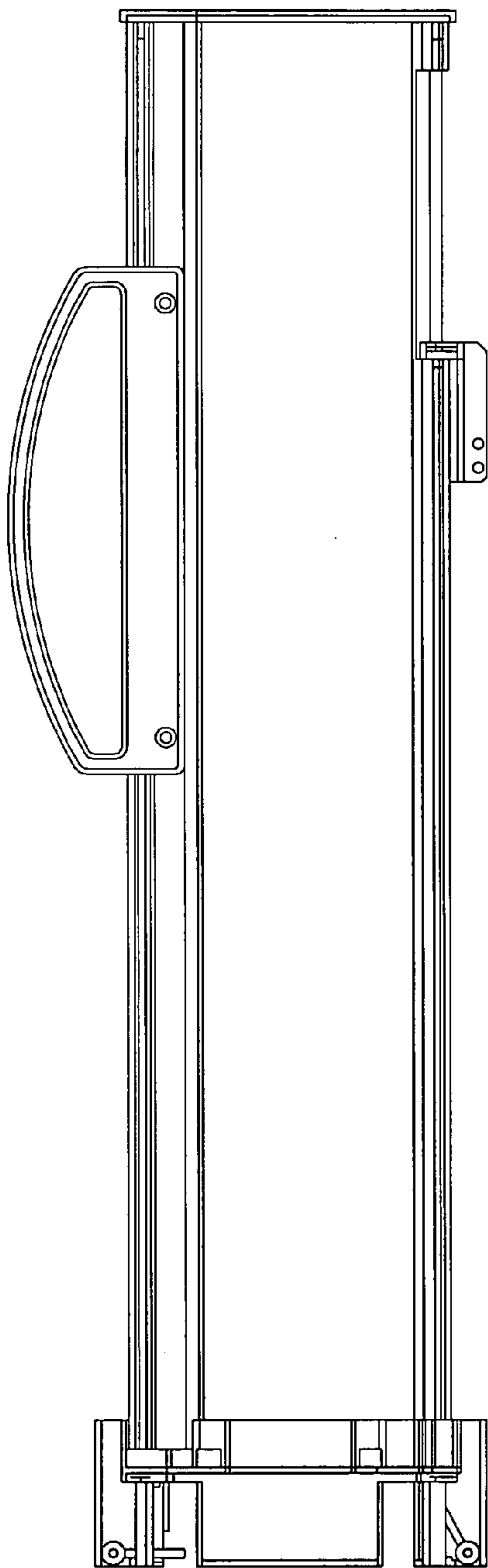


FIG. 7

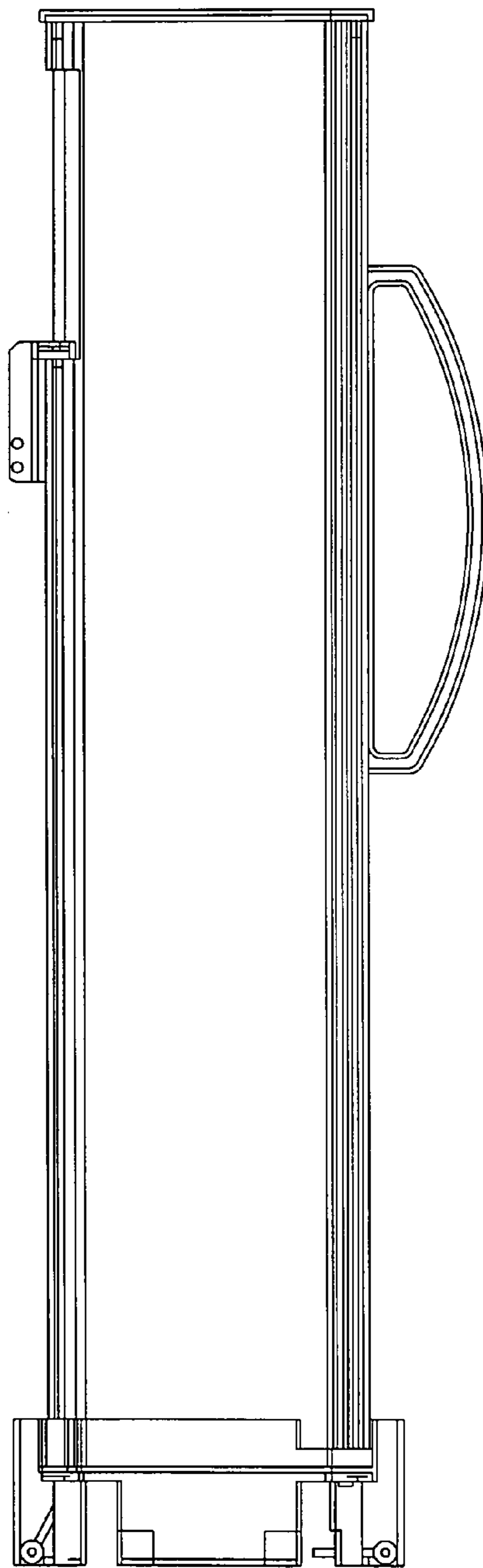


FIG. 8