



US00D584826S

(12) **United States Design Patent**
Ng

(10) **Patent No.:** **US D584,826 S**
(45) **Date of Patent:** **** Jan. 13, 2009**

(54) **LEG AND FOOT MASSAGER**

(75) Inventor: **Elwyn Kwang Ling Ng**, Singapore (SG)

(73) Assignee: **OSIM International Ltd.**, Singapore (SG)

(**) Term: **14 Years**

(21) Appl. No.: **29/247,365**

(22) Filed: **Jun. 14, 2006**

(51) **LOC (9) Cl.** **28-03**

(52) **U.S. Cl.** **D24/213**

(58) **Field of Classification Search** D24/200–205,
D24/212–215; D21/684–686, 680; 601/23,
601/27, 29–35, 49–50, 56–57, 84–86, 93,
601/97–98, 101, 40, 118, 131, 135–138;
482/44, 47, 49–50, 79

See application file for complete search history.

(56) **References Cited**

U.S. PATENT DOCUMENTS

4,660,548	A *	4/1987	Bucher	601/61
6,698,038	B2 *	3/2004	Bastia et al.	4/622
D524,947	S *	7/2006	Gleason et al.	D24/213
D535,402	S *	1/2007	Lifeng et al.	D24/213
D535,751	S *	1/2007	Lifeng et al.	D24/213
D548,353	S *	8/2007	Maesawa et al.	D24/212
7,273,461	B2 *	9/2007	Baek	601/151
2007/0267020	A1 *	11/2007	Harris et al.	128/205.24

OTHER PUBLICATIONS

OSIM Singapore Store catalog internet item for OSIM iSqueez OS-8000, May 17, 2006.

* cited by examiner

Primary Examiner—Ian Simmons

Assistant Examiner—Wan Laymon

(74) *Attorney, Agent, or Firm*—Baker & McKenzie LLP

(57) **CLAIM**

The ornamental design for a leg and foot massager, as shown and described.

DESCRIPTION

FIG. 1 is a front view of a leg and foot massager showing my new design;

FIG. 2 is a back view thereof;

FIG. 3 is a top view thereof;

FIG. 4 is a bottom view thereof;

FIG. 5 is a left end view thereof;

FIG. 6 is a right end view thereof;

FIG. 7 is a front perspective view of FIG. 1;

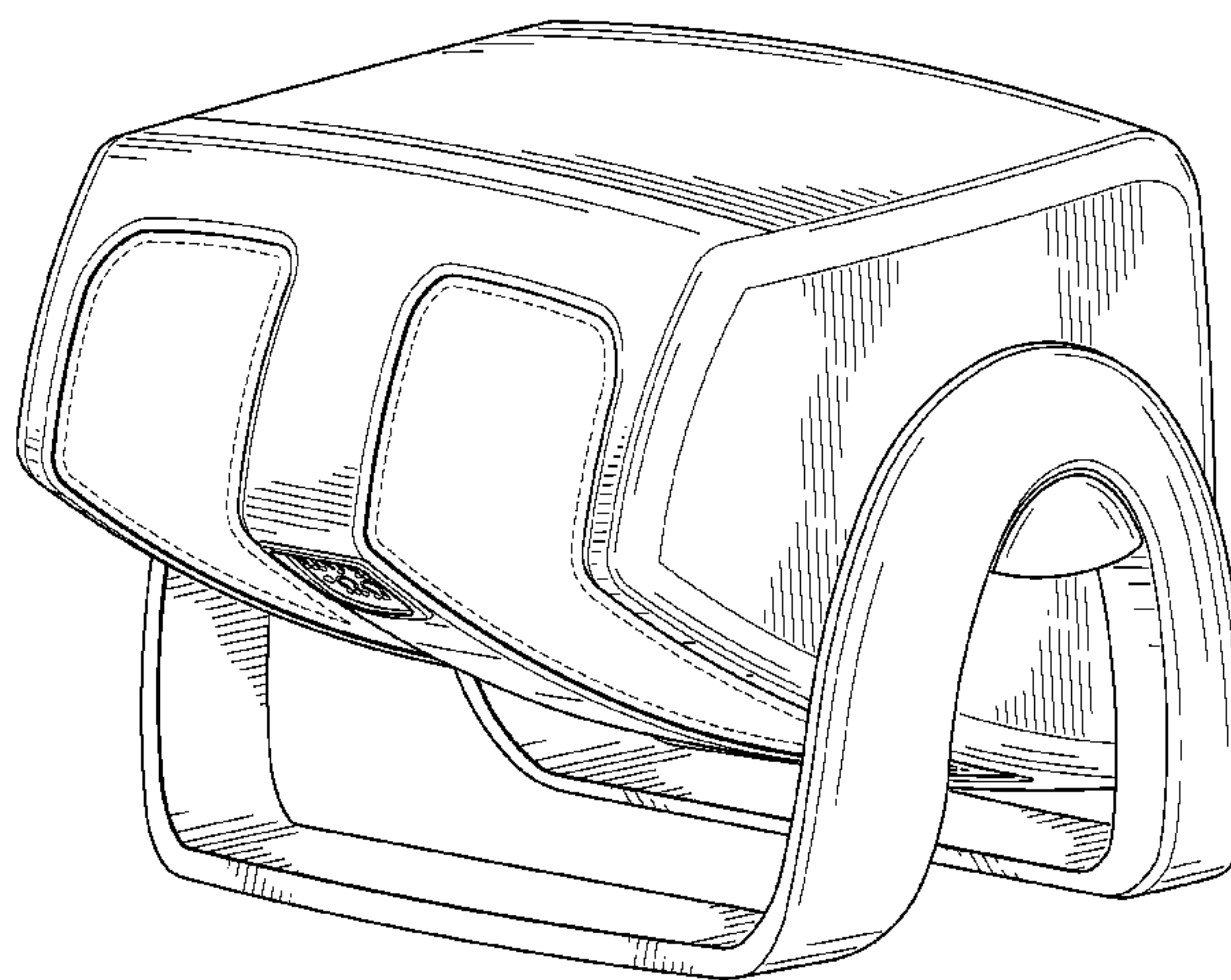
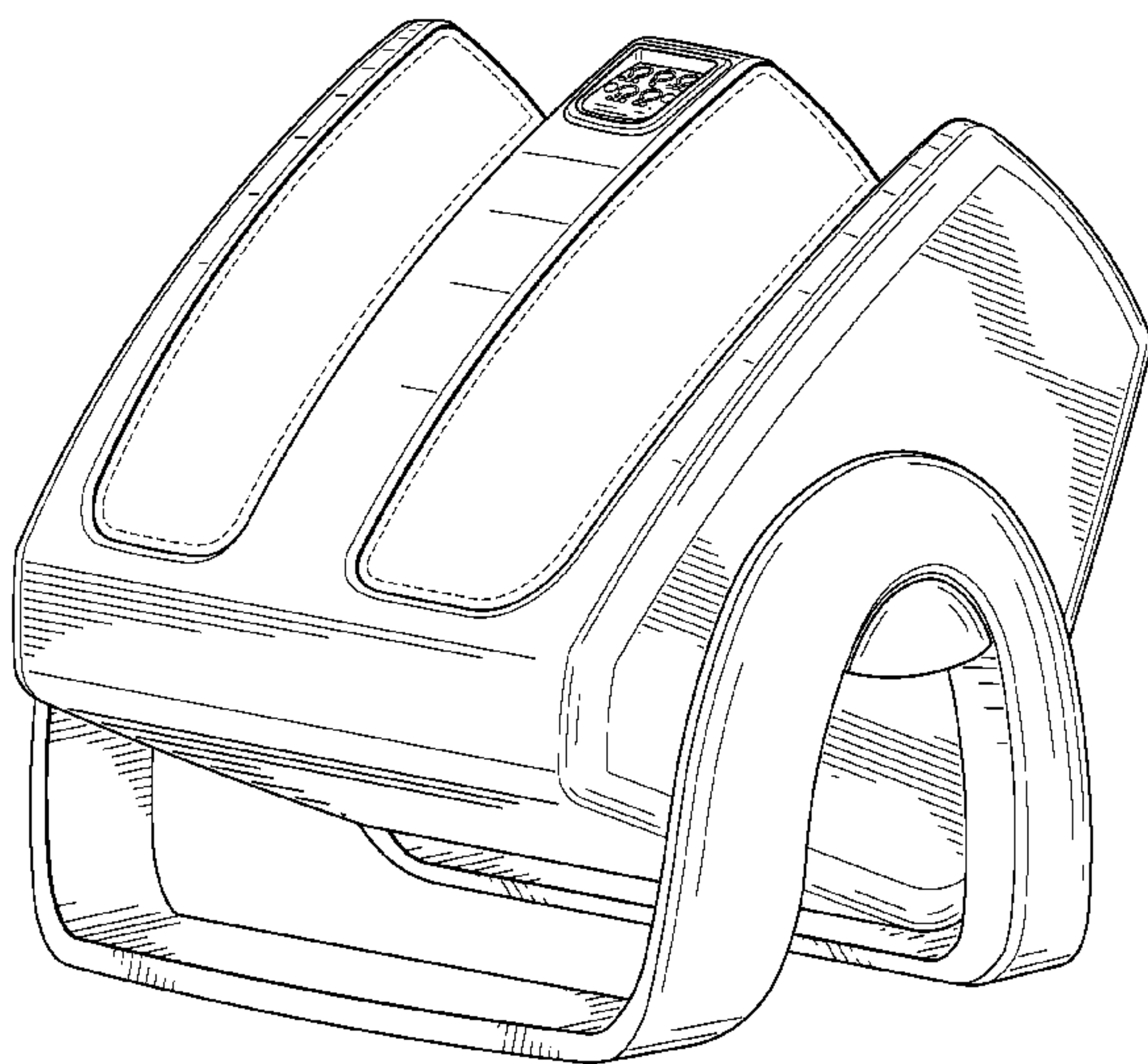
FIG. 8 is a rotated front perspective view thereof;

FIG. 9 is a back view with the leg and foot massager shown in a rotated position thereof; and,

FIG. 10 is a rotated back perspective thereof.

The broken lines in the figures are for illustrative purposes only and form no part of the claimed design.

1 Claim, 10 Drawing Sheets



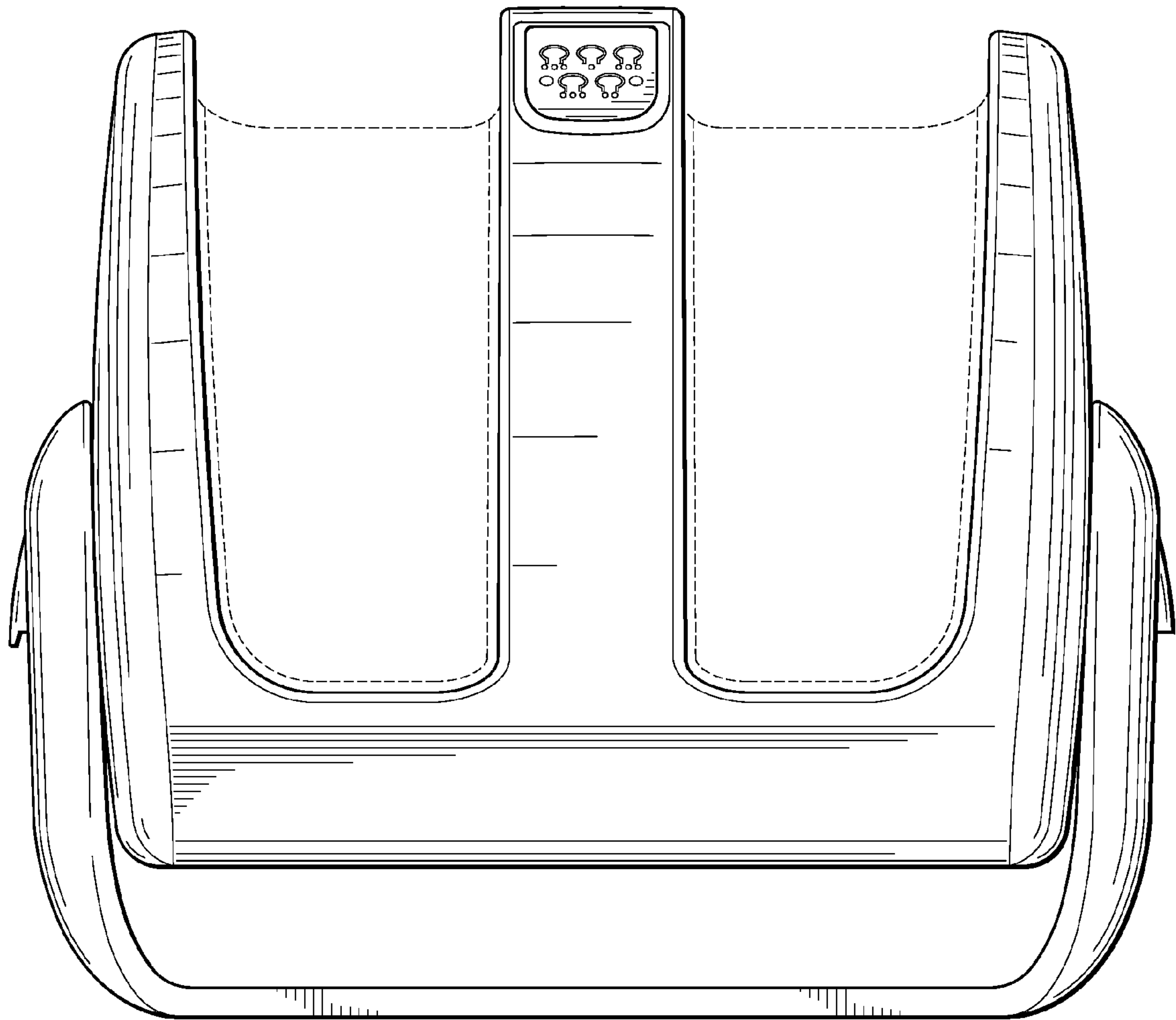


FIG. 1

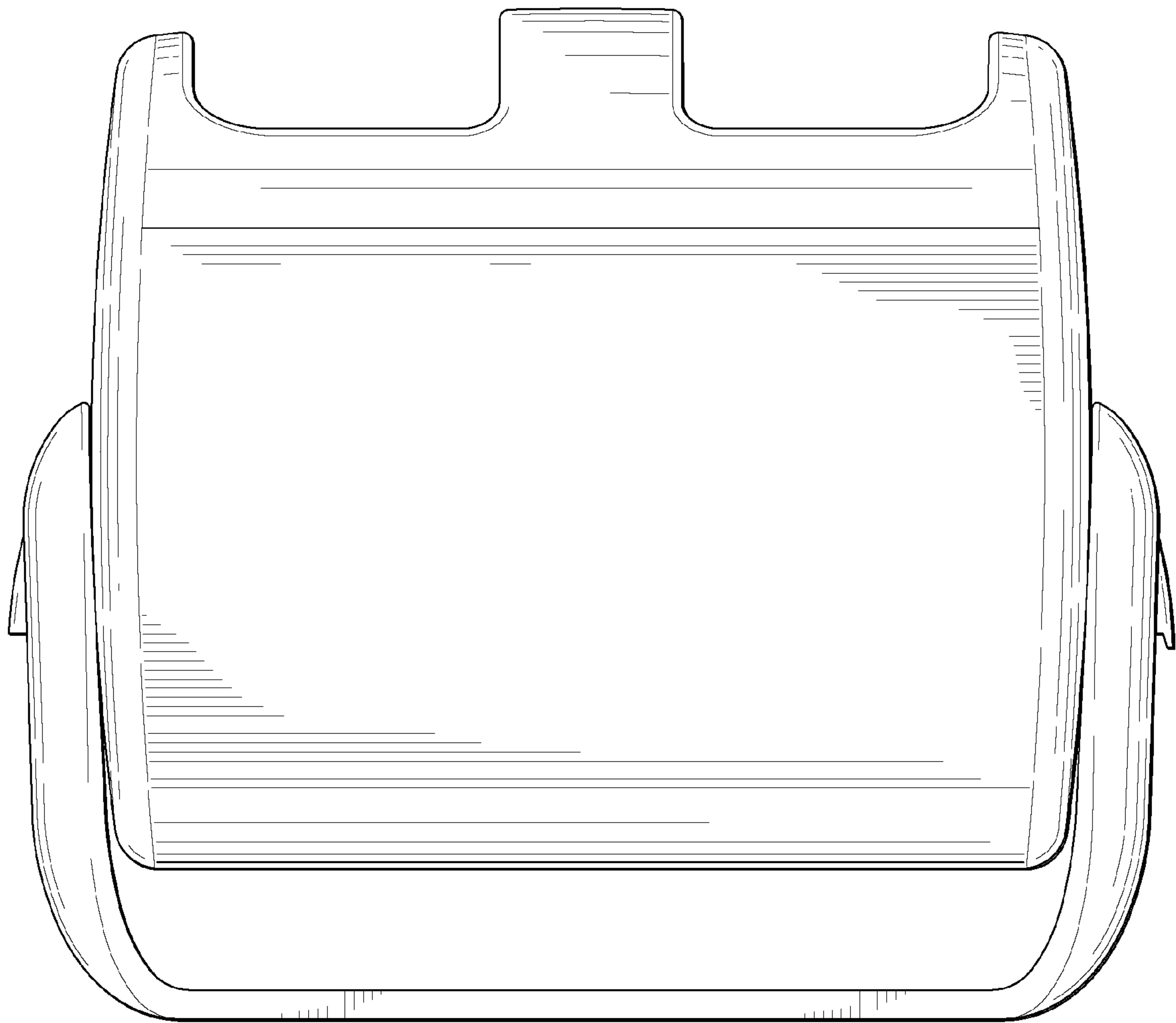


FIG. 2

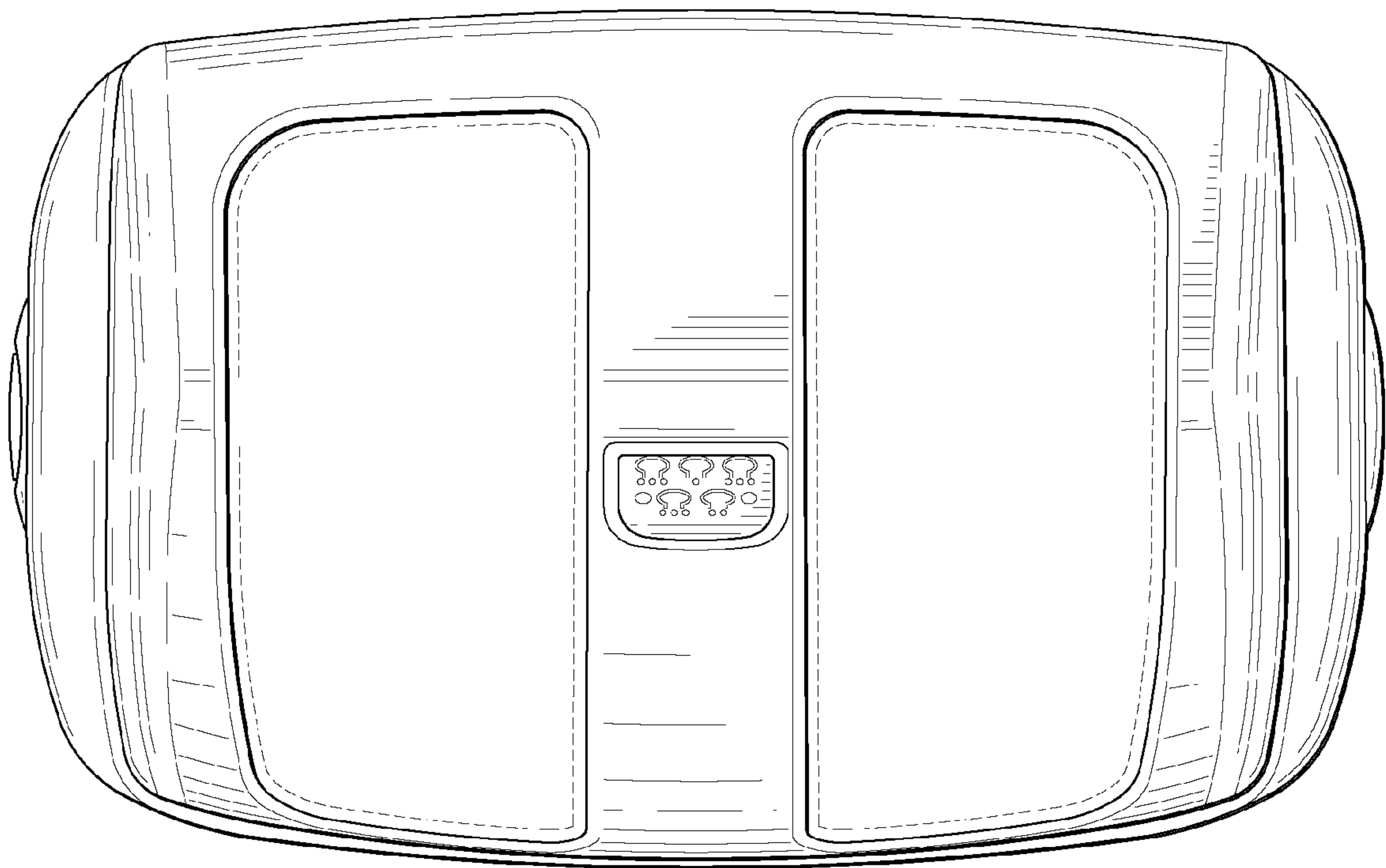


FIG. 3

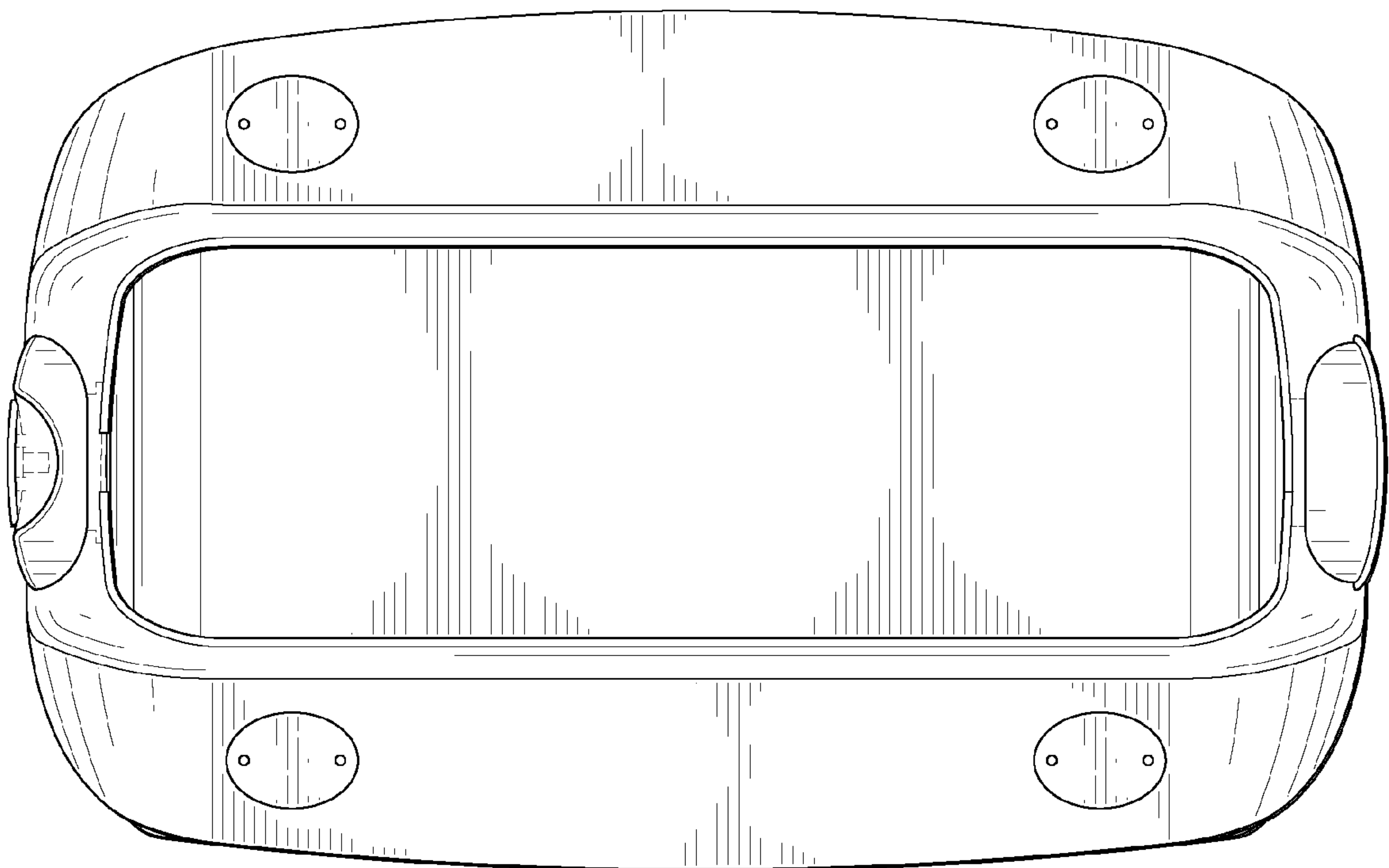


FIG. 4

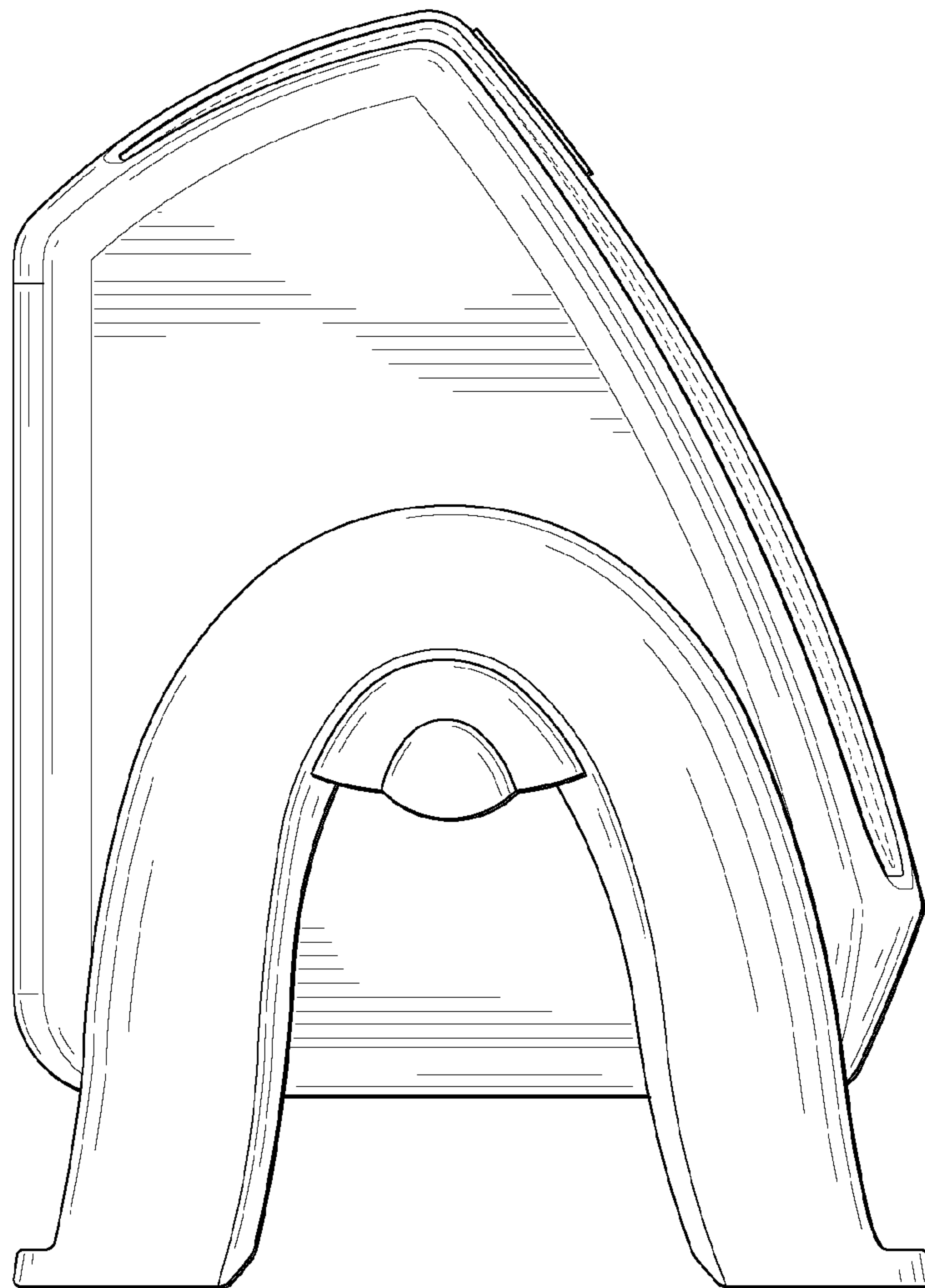


FIG. 5

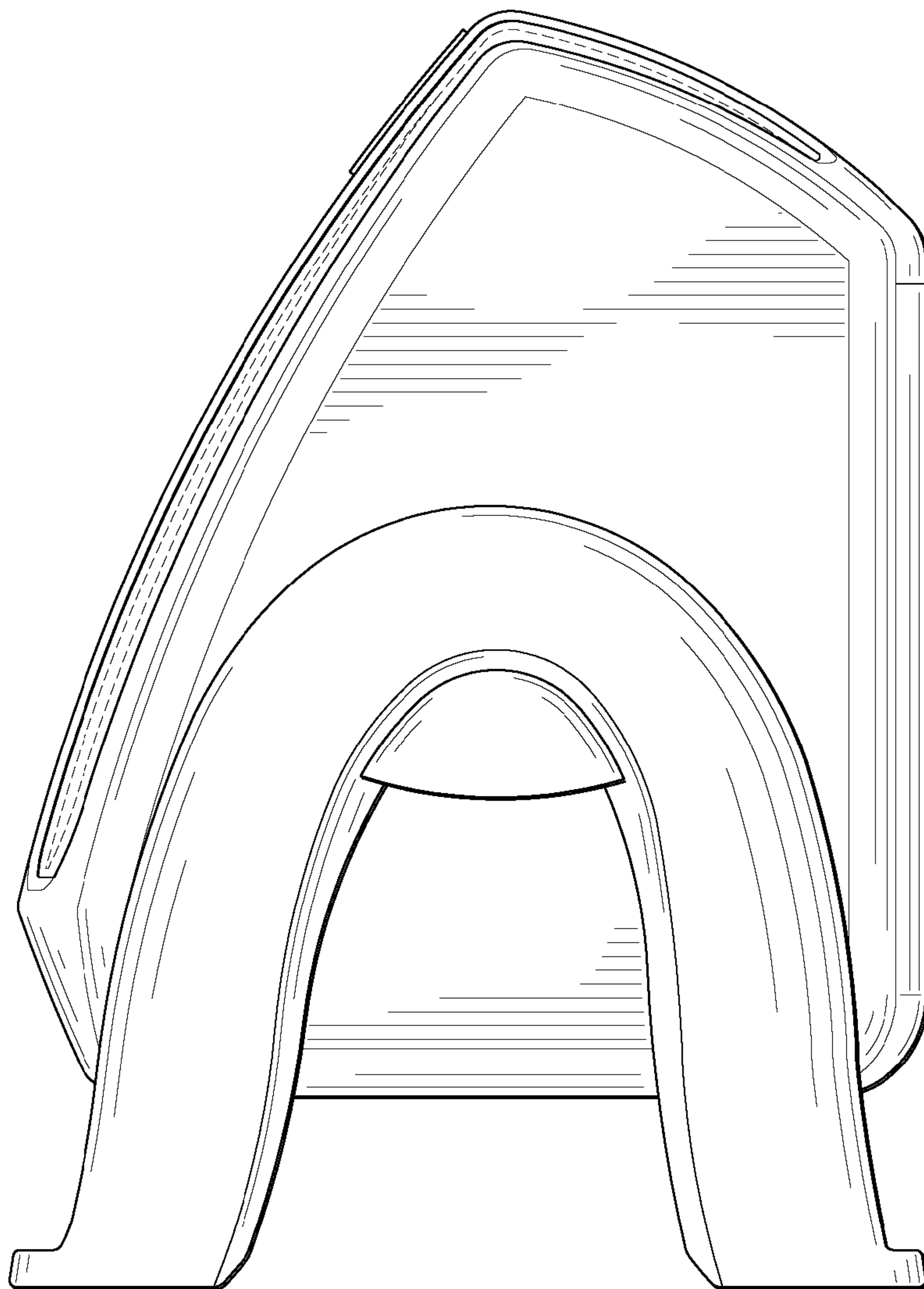


FIG. 6

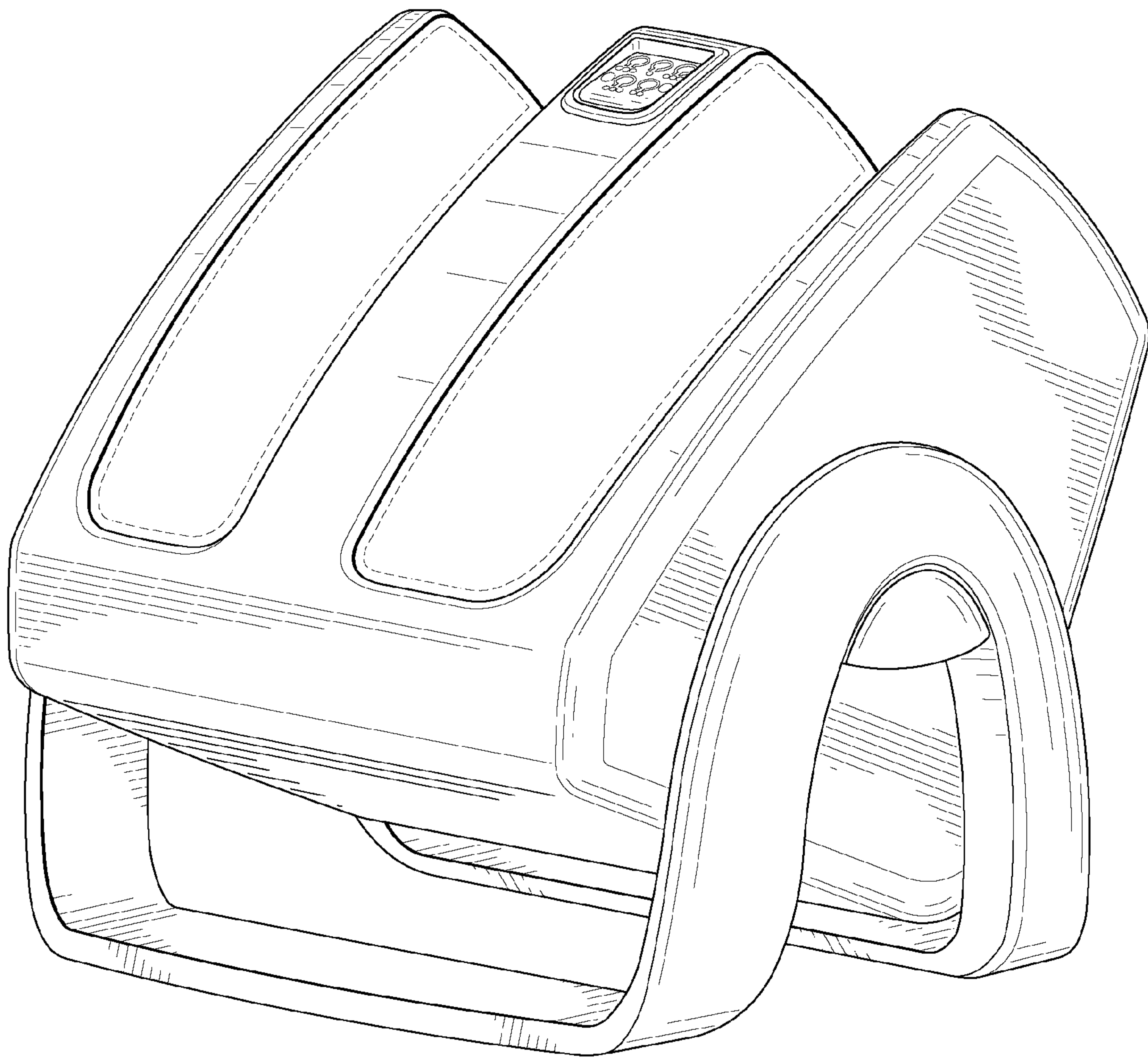


FIG. 7

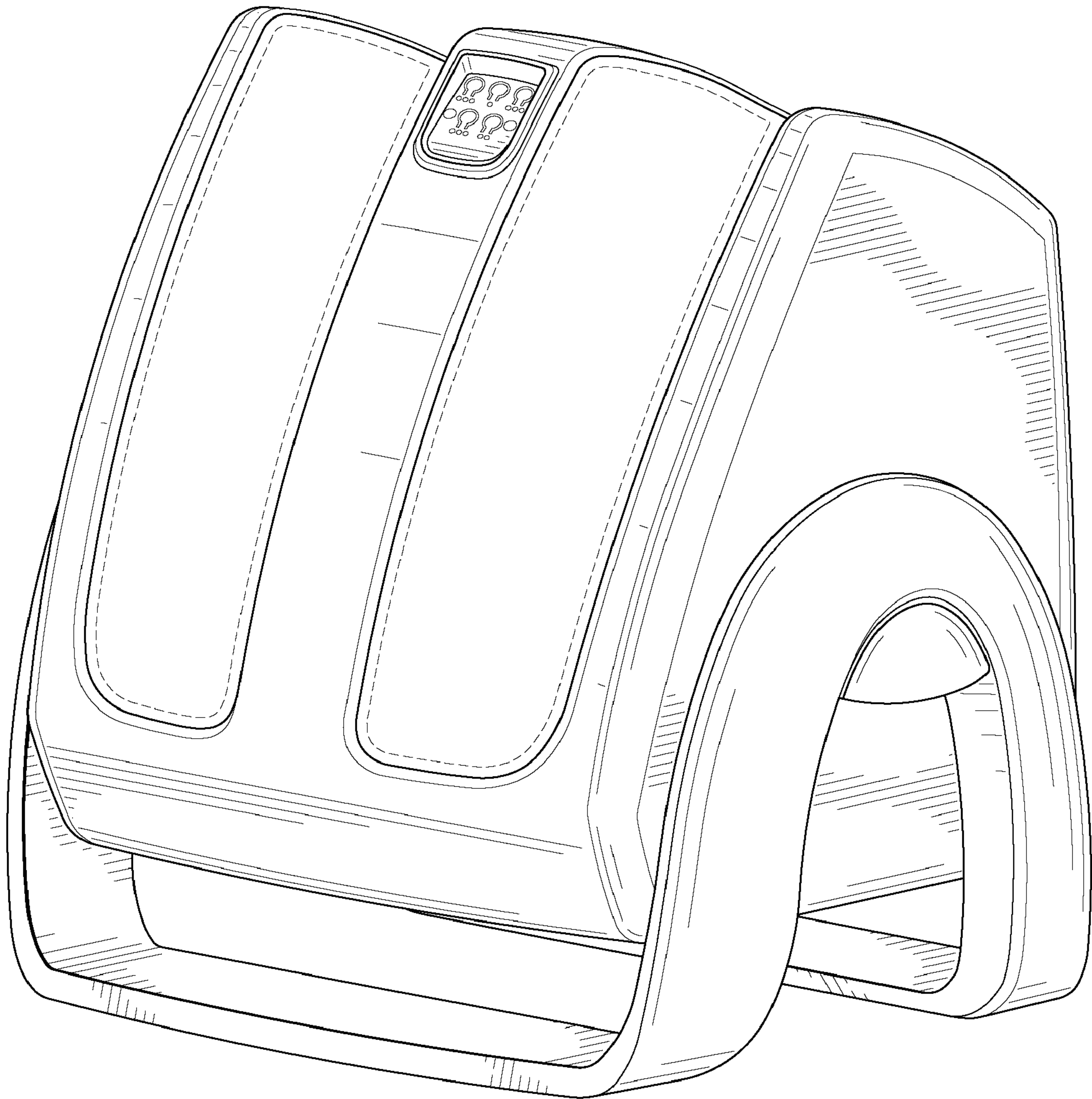


FIG. 8

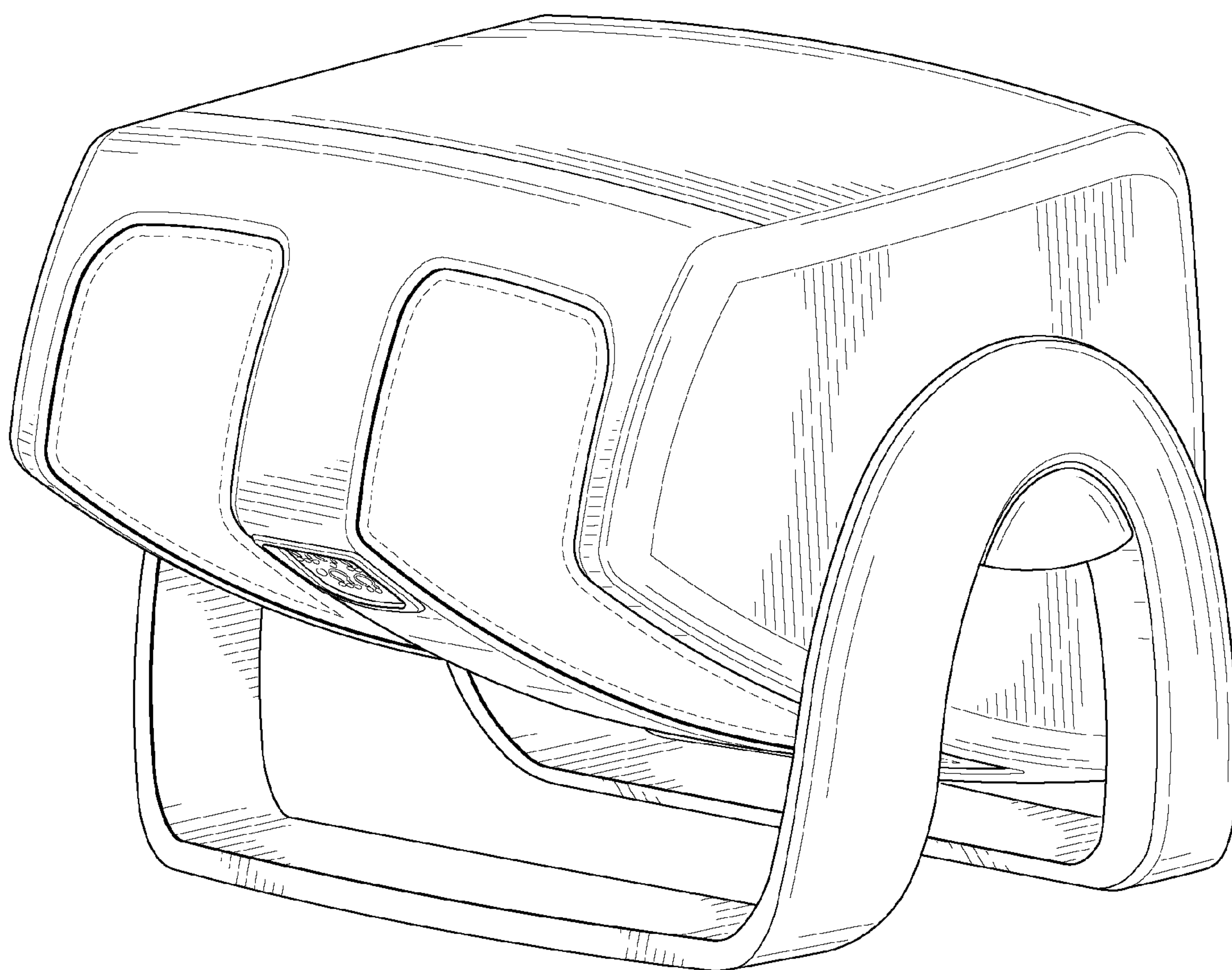


FIG. 9

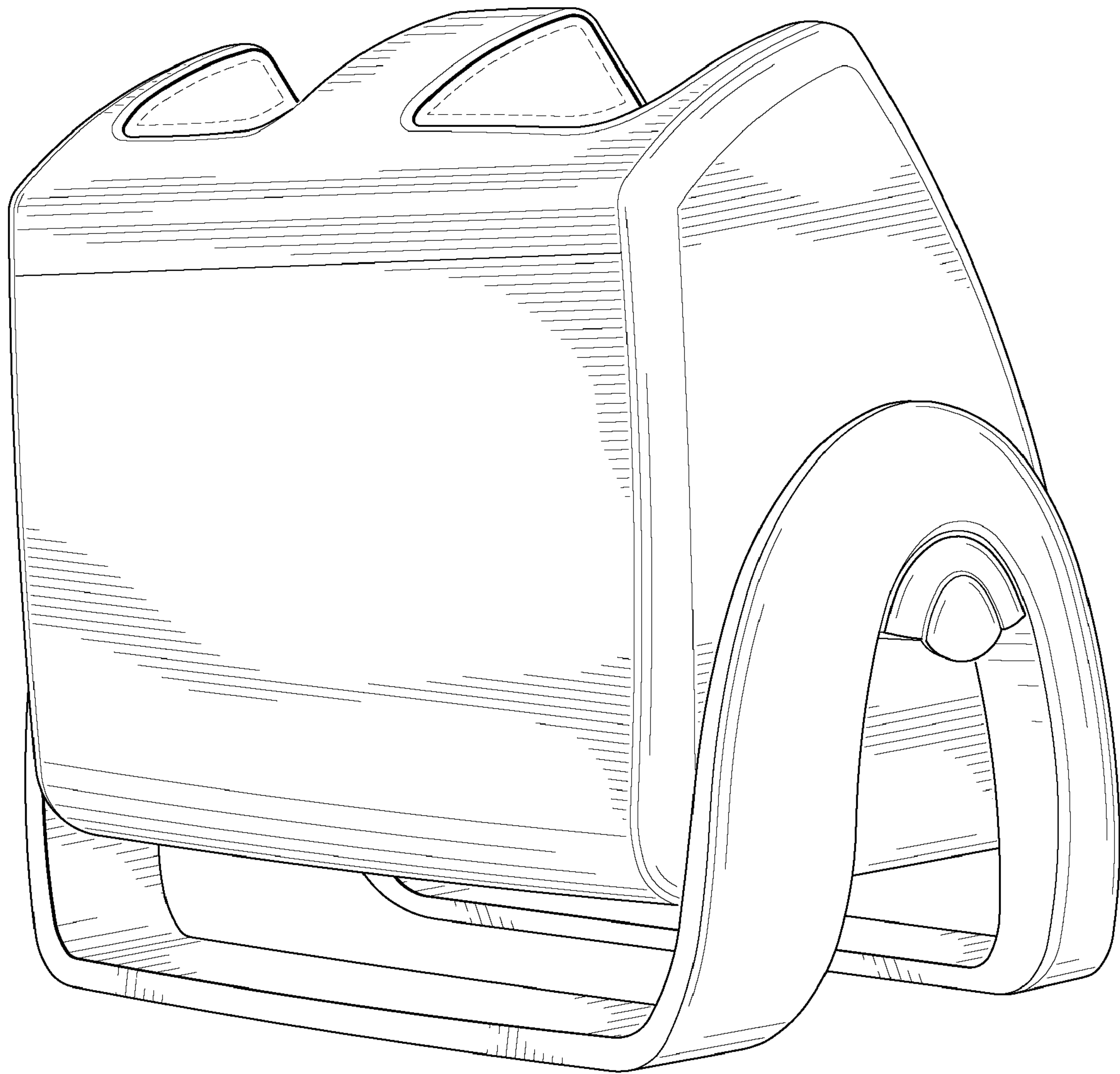


FIG. 10